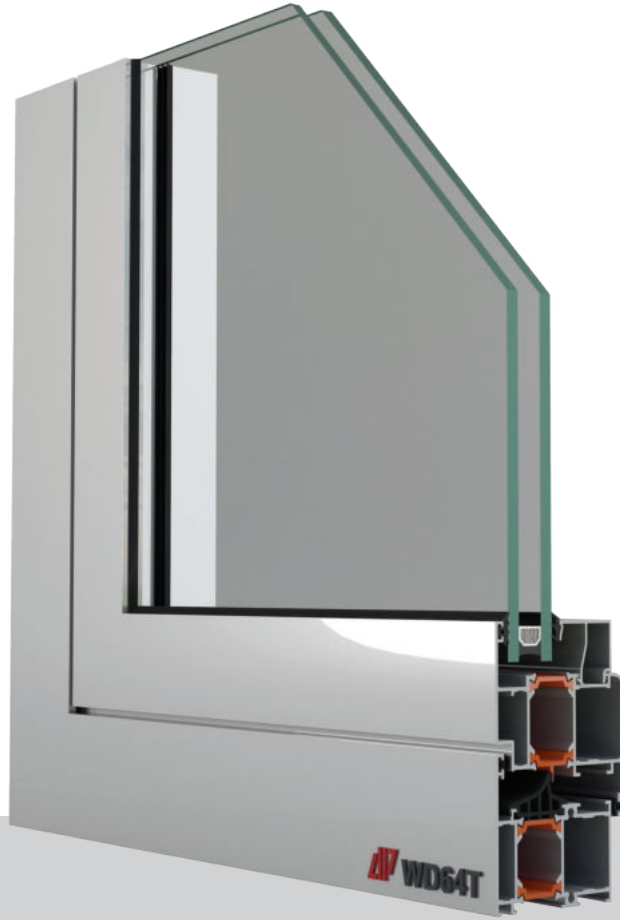
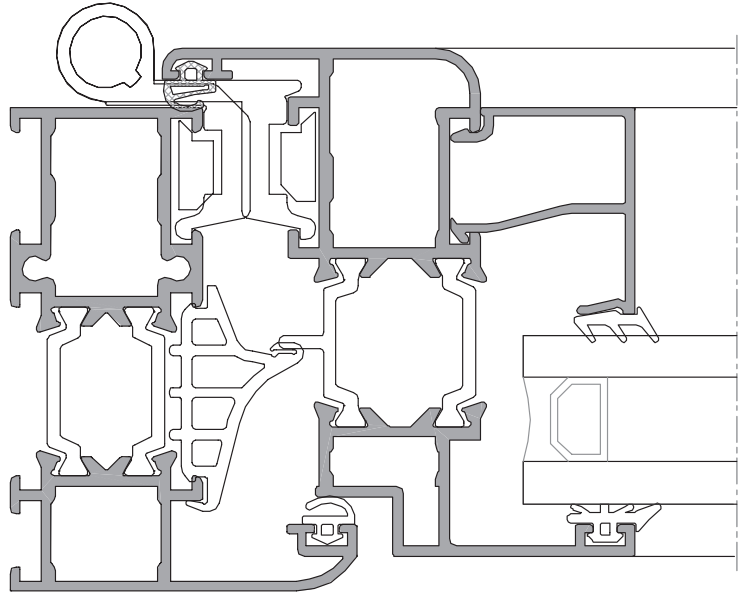
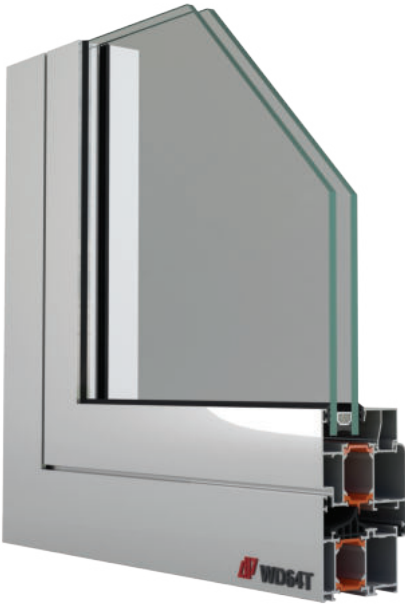




Kapı - Pencere Sistem  
Door - Window System



# WD64T



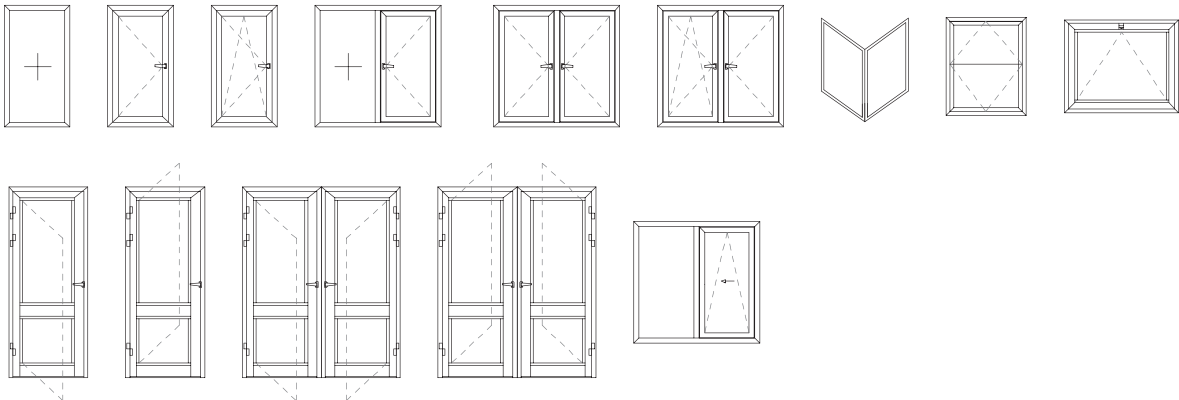
### TEKNİK ÖZELLİKLER / TECHNICAL PROPERTIES

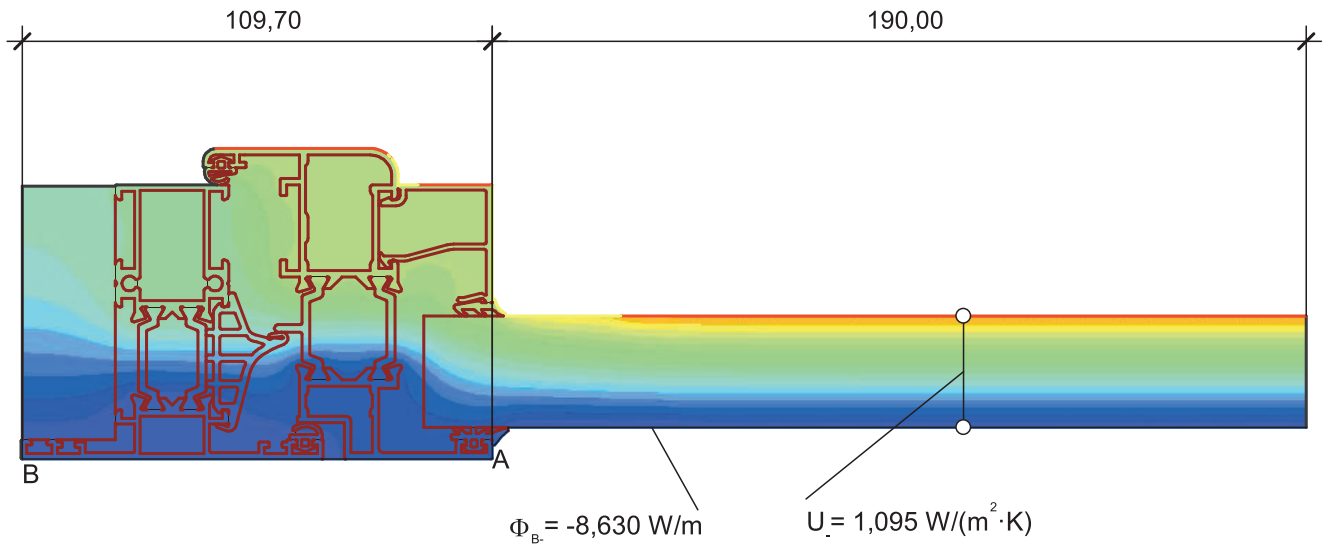
KASA DERİNLİĞİ / FRAME DEPTH	64 mm
KANAT DERİNLİĞİ / SASH DEPTH	72,5 mm
ET KALINLIĞI / WALL THICKNESS	1.5 mm - 1.8 mm - 2 mm
MAKS. CAM KALINLIĞI / MAX GLASS THICKNESS	10 mm - 40 mm
ISI BARIYER / THERMAL BREAK	24 mm

### PERFORMANS DEĞERLERİ / PERFORMANCE VALUES

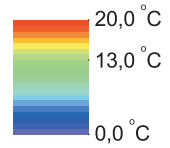
HAVA GEÇİRGENLİK / AIR PERMEABILITY	EN 12207 : Class4 (600PA)
SU SIZDIRMAZLIK / WATERTIGHTNESS	EN 12208 : 9A (600PA)
RÜZGAR YÜKÜ / WIND RESISTANCE	EN 12210 : Class3 (1200PA)
ISI YALITIM DEĞERİ / THERMAL INSULATION VALUE (UF)	EN 10077-2 : 2.00 - 2.70 W / ( m <sup>2</sup> . K )

### UYGULAMA SEÇENEKLERİ / APPLICATION OPTIONS

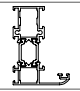
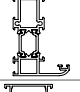
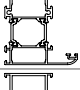
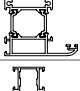
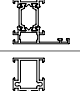
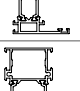
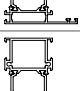
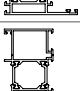
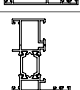
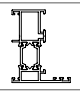
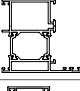
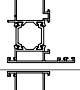
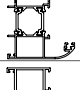
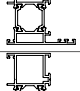
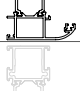
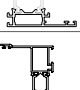
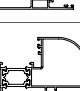
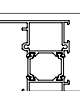
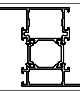
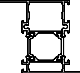





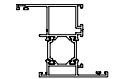
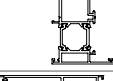
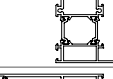
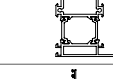
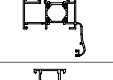
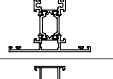
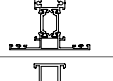
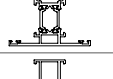
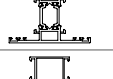
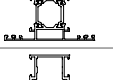
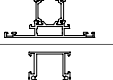
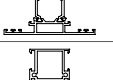
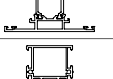
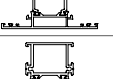
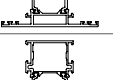
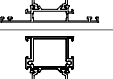
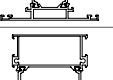
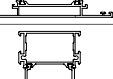
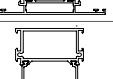
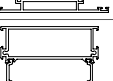
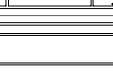

$$U_{fA,B} = \frac{\frac{\Phi}{\Delta T} - U_p \cdot b_p}{b_f} = \frac{\frac{8,630}{20,000} - 1,095 \cdot 0,190}{0,110} = 2,04 \text{ W/(m}^2 \cdot \text{K)}$$



Material	$\lambda$ [W/(m·K)]	$\epsilon$	Boundary Condition	$q$ [W/m <sup>2</sup> ]	$\theta$ [°C]	$R$ [(m <sup>2</sup> ·K)/W]	$\epsilon$
Aluminium (Si Alloys)	160,000	0,900	Epsilon 0.9				0,900
EPDM (ethylene propylene diene monomer)	0,250	0,900	Exterior, frame	0,000		0,040	
Panel	0,035	0,900	Interior, frame, normal	20,000		0,130	
Polyamid 6.6 with 25% glass fibre	0,300	0,900	Interior, frame, reduced	20,000		0,200	
Slightly ventilated air cavity	anisotropic		Symmetry/Model section	0,000			
Unventilated air cavity	anisotropic						

PROFİL KESİTİ PROFILE SECTION	PROFİL KODU PROFILE CODE	PROFİL ADI PROFILE NAME	Jx cm <sup>4</sup>	Jy cm <sup>4</sup>	AĞIRLIK (kg/m) WEIGHT
	64-1700-1701	KASA PROFİLİ FRAME PROFILE	25,80 cm <sup>4</sup>	7,22 cm <sup>4</sup>	1,423 kg/m
	64-1702-1703	KASA PROFİLİ FRAME PROFILE	30,23 cm <sup>4</sup>	7,98 cm <sup>4</sup>	1,604 kg/m
	64-1704-1705	KASA PROFİLİ FRAME PROFILE	31,55 cm <sup>4</sup>	16,62 cm <sup>4</sup>	1,663 kg/m
	64-1706-1707	KASA PROFİLİ FRAME PROFILE	37,89 cm <sup>4</sup>	18,61 cm <sup>4</sup>	1,926 kg/m
	64-1700-1768	KASA PROFİLİ FRAME PROFILE	21,42 cm <sup>4</sup>	5,94 cm <sup>4</sup>	1,341 kg/m
	64-1702-1770	KASA PROFİLİ FRAME PROFILE	24,76 cm <sup>4</sup>	6,37 cm <sup>4</sup>	1,496 kg/m
	64-1704-1769	KASA PROFİLİ FRAME PROFILE	26,55 cm <sup>4</sup>	14,39 cm <sup>4</sup>	1,580 kg/m
	64-1706-1771	KASA PROFİLİ FRAME PROFILE	31,57 cm <sup>4</sup>	15,80 cm <sup>4</sup>	1,818 kg/m
	64-1973-1972	KASA PROFİLİ FRAME PROFILE	26,06 cm <sup>4</sup>	12,88 cm <sup>4</sup>	1,543 kg/m
	64-1937-1936	KASA PROFİLİ FRAME PROFILE	21,01 cm <sup>4</sup>	5,42 cm <sup>4</sup>	1,263 kg/m
	64-1975-1974	KASA PROFİLİ FRAME PROFILE	23,81 cm <sup>4</sup>	6,10 cm <sup>4</sup>	1,413 kg/m
	64-3549-3548	KASA PROFİLİ FRAME PROFILE	31,20 cm <sup>4</sup>	17,29 cm <sup>4</sup>	1,731 kg/m
	64-5551-5550	KASA PROFİLİ FRAME PROFILE	22,04 cm <sup>4</sup>	8,72 cm <sup>4</sup>	1,310 kg/m
	64-5551-5554	KASA PROFİLİ FRAME PROFILE	29,69 cm <sup>4</sup>	11,05 cm <sup>4</sup>	1,436 kg/m
	64-5553-5552	KASA PROFİLİ FRAME PROFILE	27,41 cm <sup>4</sup>	10,56 cm <sup>4</sup>	1,539 kg/m
	64-5553-5555	KASA PROFİLİ FRAME PROFILE	37,55 cm <sup>4</sup>	13,84 cm <sup>4</sup>	1,727 kg/m
	64-12807-6500	KASA PROFİLİ FRAME PROFILE	48,21 cm <sup>4</sup>	18,01 cm <sup>4</sup>	1,450 kg/m
	64-5130-5131	KASA PROFİLİ FRAME PROFILE	36,82 cm <sup>4</sup>	28,90 cm <sup>4</sup>	1,689 kg/m
	64-1932-1933	KASA PROFİLİ FRAME PROFILE	53,97 cm <sup>4</sup>	10,47 cm <sup>4</sup>	1,548 kg/m
	64-7110-7111	Z KASA PROFİLİ Z FRAME PROFILE	35,30 cm <sup>4</sup>	23,15 cm <sup>4</sup>	1,824 kg/m
	64-5393-1705	Z KASA PROFİLİ Z FRAME PROFILE	38,28 cm <sup>4</sup>	25,99 cm <sup>4</sup>	1,811 kg/m
	64-5393-1769	Z KASA PROFİLİ Z FRAME PROFILE	32,38 cm <sup>4</sup>	23,43 cm <sup>4</sup>	1,730 kg/m

\*\* Her profil için minimum sipariş 300 kg'dır.  
\*\* Minimum order quantity is 300 kg per profile.

PROFİL KESİTİ PROFILE SECTION	PROFİL KODU PROFILE CODE	PROFİL ADI PROFILE NAME	Jx cm <sup>4</sup>	Jy cm <sup>4</sup>	AĞIRLIK (kg/m) WEIGHT
	64-5152-5153	Z KASA PROFİLİ Z FRAME PROFILE	30,89 cm <sup>4</sup>	15,12 cm <sup>4</sup>	1,634 kg/m
	64-5159-5153	Z KASA PROFİLİ Z FRAME PROFILE	35,92 cm <sup>4</sup>	27,92 cm <sup>4</sup>	1,784 kg/m
	64-2288-1707	Z KASA PROFİLİ Z FRAME PROFILE	51,22 cm <sup>4</sup>	48,24 cm <sup>4</sup>	2,235 kg/m
	64-2228-1771	Z KASA PROFİLİ Z FRAME PROFILE	42,93 cm <sup>4</sup>	44,39 cm <sup>4</sup>	2,127 kg/m
	64-2820-5551	PERVAZLI KASA PROFİLİ SILL FRAME PROFILE	30,39 cm <sup>4</sup>	21,47 cm <sup>4</sup>	1,554 kg/m
	64-1700-1716	ORTA KAYIT PROFİLİ MULLION PROFILE	24,29 cm <sup>4</sup>	9,55 cm <sup>4</sup>	1,457 kg/m
	64-3577-3576	ORTA KAYIT PROFİLİ MULLION PROFILE	21,97 cm <sup>4</sup>	8,84 cm <sup>4</sup>	1,356 kg/m
	64-1702-1761	ORTA KAYIT PROFİLİ MULLION PROFILE	28,17 cm <sup>4</sup>	10,35 cm <sup>4</sup>	1,640 kg/m
	64-3579-3578	ORTA KAYIT PROFİLİ MULLION PROFILE	27,07 cm <sup>4</sup>	10,50 cm <sup>4</sup>	1,588 kg/m
	64-5565-5564	ORTA KAYIT PROFİLİ MULLION PROFILE	24,70 cm <sup>4</sup>	13,89 cm <sup>4</sup>	1,481 kg/m
	64-6500-6501	ORTA KAYIT PROFİLİ MULLION PROFILE	29,86 cm <sup>4</sup>	15,09 cm <sup>4</sup>	1,714 kg/m
	64-5567-5566	ORTA KAYIT PROFİLİ MULLION PROFILE	30,44 cm <sup>4</sup>	16,38 cm <sup>4</sup>	1,733 kg/m
	64-1640-1641	ORTA KAYIT PROFİLİ MULLION PROFILE	31,75 cm <sup>4</sup>	15,65 cm <sup>4</sup>	1,805 kg/m
	64-3638-3637	ORTA KAYIT PROFİLİ MULLION PROFILE	26,44 cm <sup>4</sup>	18,08 cm <sup>4</sup>	1,576 kg/m
	64-3640-3639	ORTA KAYIT PROFİLİ MULLION PROFILE	32,77 cm <sup>4</sup>	21,34 cm <sup>4</sup>	1,852 kg/m
	64-1704-1717	ORTA KAYIT PROFİLİ MULLION PROFILE	29,44 cm <sup>4</sup>	20,01 cm <sup>4</sup>	1,695 kg/m
	64-1706-1718	ORTA KAYIT PROFİLİ MULLION PROFILE	35,03 cm <sup>4</sup>	22,09 cm <sup>4</sup>	1,958 kg/m
	64-4301-4300	ORTA KAYIT PROFİLİ MULLION PROFILE	50,36 cm <sup>4</sup>	37,66 cm <sup>4</sup>	2,111 kg/m
	64-1650-1651	ORTA KAYIT PROFİLİ MULLION PROFILE	33,68 cm <sup>4</sup>	33,08 cm <sup>4</sup>	1,865 kg/m
	64-5521-5522	ORTA KAYIT PROFİLİ MULLION PROFILE	43,31 cm <sup>4</sup>	45,92 cm <sup>4</sup>	2,342 kg/m
	64-1719-1720	ORTA KAYIT PROFİLİ MULLION PROFILE	104,75 cm <sup>4</sup>	55,58 cm <sup>4</sup>	2,893 kg/m
	64-9789-9788	ORTA KAYIT PROFİLİ MULLION PROFILE	480,99 cm <sup>4</sup>	86,07 cm <sup>4</sup>	4,456 kg/m

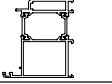
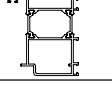
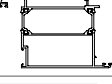
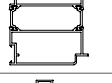
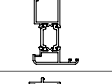
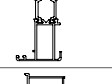
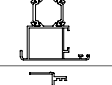
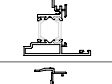
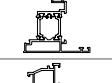
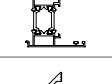

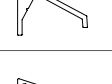
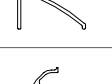

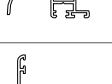
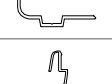
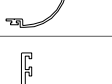
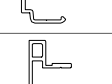
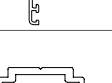
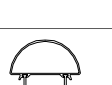
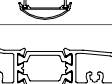

\*\* Her profil için minimum sipariş 300 kg'dır.  
\*\* Minimum order quantity is 300 kg per profile.

PROFİL KESİTİ PROFILE SECTION	PROFİL KODU PROFILE CODE	PROFİL ADI PROFILE NAME	Jx cm <sup>4</sup>	Jy cm <sup>4</sup>	AĞIRLIK (kg/m) WEIGHT
	64-3640-3542	TAKVİYELİ ORTA KAYIT PROFİLİ REINFORCED MULLION PROFILE	119,69 cm <sup>4</sup>	29,17 cm <sup>4</sup>	2,446 kg/m
	64-1718-8007	TAKVİYELİ ORTA KAYIT PROFİLİ REINFORCED MULLION PROFILE	233,34 cm <sup>4</sup>	36,11 cm <sup>4</sup>	2,786 kg/m
	64-3550-3551	KANAT PROFİLİ SASH PROFILE	26,69 cm <sup>4</sup>	7,00 cm <sup>4</sup>	1,290 kg/m
	64-1708-1709	KANAT PROFİLİ SASH PROFILE	29,91 cm <sup>4</sup>	8,00 cm <sup>4</sup>	1,422 kg/m
	64-3558-3559	KANAT PROFİLİ SASH PROFILE	29,46 cm <sup>4</sup>	7,51 cm <sup>4</sup>	1,375 kg/m
	64-6502-6503	KANAT PROFİLİ SASH PROFILE	33,64 cm <sup>4</sup>	8,47 cm <sup>4</sup>	1,572 kg/m
	64-1710-1711	KANAT PROFİLİ SASH PROFILE	36,05 cm <sup>4</sup>	8,77 cm <sup>4</sup>	1,646 kg/m
	64-3560-3561	KANAT PROFİLİ SASH PROFILE	34,09 cm <sup>4</sup>	8,46 cm <sup>4</sup>	1,550 kg/m
	64-1642-1643	KANAT PROFİLİ SASH PROFILE	35,05 cm <sup>4</sup>	12,74 cm <sup>4</sup>	1,613 kg/m
	64-6504-6505	KANAT PROFİLİ SASH PROFILE	37,20 cm <sup>4</sup>	12,90 cm <sup>4</sup>	1,700 kg/m
	64-3562-3563	KANAT PROFİLİ SASH PROFILE	33,23 cm <sup>4</sup>	12,11 cm <sup>4</sup>	1,514 kg/m
	64-5556-5557	KANAT PROFİLİ SASH PROFILE	30,29 cm <sup>4</sup>	11,27 cm <sup>4</sup>	1,423 kg/m
	64-3944-3945	KANAT PROFİLİ SASH PROFILE	40,73 cm <sup>4</sup>	13,68 cm <sup>4</sup>	1,823 kg/m
	64-5558-5559	KANAT PROFİLİ SASH PROFILE	38,90 cm <sup>4</sup>	13,76 cm <sup>4</sup>	1,723 kg/m
	64-3566-3567	KANAT PROFİLİ SASH PROFILE	41,78 cm <sup>4</sup>	18,25 cm <sup>4</sup>	1,830 kg/m
	64-3564-3565	KANAT PROFİLİ SASH PROFILE	35,65 cm <sup>4</sup>	16,02 cm <sup>4</sup>	1,608 kg/m
	64-1714-1715	KANAT PROFİLİ SASH PROFILE	44,50 cm <sup>4</sup>	19,70 cm <sup>4</sup>	1,961 kg/m
	64-1712-1713	KANAT PROFİLİ SASH PROFILE	36,49 cm <sup>4</sup>	17,56 cm <sup>4</sup>	1,666 kg/m
	64-4303-4304	KANAT PROFİLİ SASH PROFILE	48,33 cm <sup>4</sup>	51,09 cm <sup>4</sup>	2,143 kg/m
	64-3568-3569	KANAT PROFİLİ SASH PROFILE	49,02 cm <sup>4</sup>	51,97 cm <sup>4</sup>	2,158 kg/m
	64-1724-1725	KANAT PROFİLİ SASH PROFILE	60,89 cm <sup>4</sup>	61,37 cm <sup>4</sup>	2,578 kg/m
	64-3570-3571	KANAT PROFİLİ SASH PROFILE	57,06 cm <sup>4</sup>	59,55 cm <sup>4</sup>	2,420 kg/m

\*\* Her profil için minimum sipariş 300 kg'dır.  
\*\* Minimum order quantity is 300 kg per profile.

PROFİL KESİTİ PROFILE SECTION	PROFİL KODU PROFILE CODE	PROFİL ADI PROFILE NAME	Jx cm <sup>4</sup>	Jy cm <sup>4</sup>	AĞIRLIK (kg/m) WEIGHT
	64-1950-1951	DIŞA AÇILIR KANAT PROFİLİ OUTWARD OPENING SASH PROFILE	61,49 cm <sup>4</sup>	69,53 cm <sup>4</sup>	2,626 kg/m
	64-3574-3575	DIŞA AÇILIR KANAT PROFİLİ OUTWARD OPENING SASH PROFILE	57,10 cm <sup>4</sup>	64,57 cm <sup>4</sup>	2,469 kg/m
	64-4359-4360	DIŞA AÇILIR KANAT PROFİLİ OUTWARD OPENING SASH PROFILE	47,74 cm <sup>4</sup>	55,17 cm <sup>4</sup>	2,205 kg/m
	64-8442-8443	PVC KANALLI KANAT PROFİLİ PVC GROOVED SASH PROFILE	76,31 cm <sup>4</sup>	38,42 cm <sup>4</sup>	2,232 kg/m
	64-5571-5572	PVC KANALLI KANAT PROFİLİ PVC GROOVED SASH PROFILE	31,59 cm <sup>4</sup>	11,41 cm <sup>4</sup>	1,493 kg/m
	64-5150-5151	PVC KANALLI KANAT PROFİLİ PVC GROOVED SASH PROFILE	37,65 cm <sup>4</sup>	16,91 cm <sup>4</sup>	1,704 kg/m
	64-5160-5161	PVC KANALLI KANAT PROFİLİ PVC GROOVED SASH PROFILE	47,40 cm <sup>4</sup>	20,29 cm <sup>4</sup>	2,090 kg/m
	64-5588-5589	PVC KANALLI KANAT PROFİLİ PVC GROOVED SASH PROFILE	40,51 cm <sup>4</sup>	13,78 cm <sup>4</sup>	1,803 kg/m
	64-5573-5569	PVC KANALLI KANAT PROFİLİ PVC GROOVED SASH PROFILE	31,77 cm <sup>4</sup>	13,01 cm <sup>4</sup>	1,513 kg/m
	64-12097-12098	PVC KANALLI KANAT PROFİLİ PVC GROOVED SASH PROFILE	63,02 cm <sup>4</sup>	25,06 cm <sup>4</sup>	1,948 kg/m
	64-5525-5526	PVC KANALLI KANAT PROFİLİ PVC GROOVED SASH PROFILE	50,95 cm <sup>4</sup>	34,80 cm <sup>4</sup>	2,201 kg/m
	64-5568-5569	PVC KANALLI KANAT PROFİLİ PVC GROOVED SASH PROFILE	58,66 cm <sup>4</sup>	25,93 cm <sup>4</sup>	1,710 kg/m
	64-5570-5569	PVC KANALLI KANAT PROFİLİ PVC GROOVED SASH PROFILE	58,43 cm <sup>4</sup>	25,61 cm <sup>4</sup>	1,706 kg/m
	64-5576-5577	PVC KANALLI KANAT PROFİLİ PVC GROOVED SASH PROFILE	46,53 cm <sup>4</sup>	45,21 cm <sup>4</sup>	2,131 kg/m
	64-5162-5163	PVC KANALLI KANAT PROFİLİ PVC GROOVED SASH PROFILE	58,50 cm <sup>4</sup>	54,22 cm <sup>4</sup>	2,568 kg/m
	64-5574-5575	PVC KANALLI KANAT PROFİLİ PVC GROOVED SASH PROFILE	47,73 cm <sup>4</sup>	45,03 cm <sup>4</sup>	2,118 kg/m
	64-5585-5586	PVC KANALLI KANAT PROFİLİ PVC GROOVED SASH PROFILE	42,72 cm <sup>4</sup>	41,59 cm <sup>4</sup>	2,095 kg/m
	64-5154-5155	ETEK PROFİLİ BOTTOM PROFILE	-	-	2,440 kg/m
	64-4300-4302	ETEK PROFİLİ BOTTOM PROFILE	-	-	2,217 kg/m
	64-5523-5524	ETEK PROFİLİ BOTTOM PROFILE	-	-	4,022 kg/m
	64-1720-1721	ETEK PROFİLİ BOTTOM PROFILE	-	-	3,031 kg/m
	64-1953-5547	KÖŞE DÖNÜŞ PROFİLİ CORNER PROFILE	35,14 cm <sup>4</sup>	35,14 cm <sup>4</sup>	1,649 kg/m

\*\* Her profil için minimum sipariş 300 kg'dır.  
\*\* Minimum order quantity is 300 kg per profile.











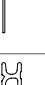

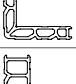
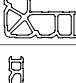
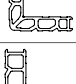
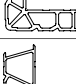
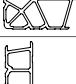
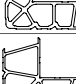
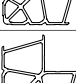

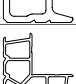

PROFİL KESİTİ PROFILE SECTION		PROFİL KODU PROFILE CODE	PROFİL ADI PROFILE NAME	Jx cm <sup>4</sup>	Jy cm <sup>4</sup>	AĞIRLIK (kg/m) WEIGHT
PROFİLLER BİRBİRLERİYLE ÇALIŞMAKTADIR THIS PROFILES WORK TOGETHER		64-1739-1740	HEMYÜZ DIŞA AÇILIR KASA PROFİLİ SYMMETRICAL OUTWARD OPENING FRAME PROFILE	35,32 cm <sup>4</sup>	16,10 cm <sup>4</sup>	1,742 kg/m
		64-1737-1738	HEMYÜZ DIŞA AÇILIR KASA PROFİLİ SYMMETRICAL OUTWARD OPENING FRAME PROFILE	34,63 cm <sup>4</sup>	16,50 cm <sup>4</sup>	1,731 kg/m
		64-1741-1742	HEMYÜZ İÇE AÇILIR KAPI KANAT PROFİLİ SYMMETRICAL INWARD OPENING SASH PROFILE	53,99 cm <sup>4</sup>	68,21 cm <sup>4</sup>	2,425 kg/m
		64-1743-1744	HEMYÜZ DIŞA AÇILIR KAPI KANAT PROFİLİ SYMMETRICAL OUTWARD OPENING SASH PROFILE	51,88 cm <sup>4</sup>	68,15 cm <sup>4</sup>	2,421 kg/m
		64-1730-1731	HEMYÜZ İÇE AÇILIR ADAPTÖR PROFİLİ SYMMETRICAL INWARD OPENING ADAPTER PROFILE	17,40 cm <sup>4</sup>	3,27 cm <sup>4</sup>	1,096 kg/m
		64-1732-1733	HEMYÜZ DIŞA AÇILIR ADAPTÖR PROFİLİ SYMMETRICAL OUTWARD OPENING ADAPTER PROFILE	17,49 cm <sup>4</sup>	2,92 cm <sup>4</sup>	1,097 kg/m
	64-1728-1729	PİVOT ADAPTÖR PROFİLİ PIVOT ADAPTER PROFILE	-	-	1,407 kg/m	
	64-11923-1727	EURO KANALLI ADAPTÖR PROFİLİ EURO GROOVED ADAPTER PROFILE	-	-	1,326 kg/m	
	64-11924-5579	PVC KANALLI ADAPTÖR PROFİLİ PVC GROOVED ADAPTER PROFILE	-	-	1,230 kg/m	
	64-1762-1763	DIŞA AÇILIR ADAPTÖR PROFİLİ OUTWARD OPENING ADAPTER PROFILE	-	-	1,190 kg/m	
	4358	DAMLALIK PROFİLİ SILL PROFILE	-	-	0,316 kg/m	
	1011	DAMLALIK PROFİLİ SILL PROFILE	-	-	0,402 kg/m	
	4242	DAMLALIK PROFİLİ SILL PROFILE	-	-	0,094 kg/m	
	7021	DAMLALIK PROFİLİ SILL PROFILE	-	-	0,140 kg/m	
	12375	DAMLALIK PROFİLİ SILL PROFILE	-	-	0,326 kg/m	
	1681	PERVAZ PROFİLİ SILL PROFILE	-	-	0,340 kg/m	
	1911	ADAPTÖR PROFİLİ ADAPTER PROFILE	-	-	0,425 kg/m	
	1912	ADAPTÖR PROFİLİ ADAPTER PROFILE	-	-	0,211 kg/m	
	10923	KANAT ALTI KAPAMA PROFİLİ SUB-SASH COVER PROFILE	-	-	0,295 kg/m	
	8241	TİJ PROFİLİ STEM BAR PROFILE	-	-	0,099 kg/m	
	64-1734-3543	KÖŞE DÖNÜŞ PROFİLİ CORNER PROFILE	22,52 cm <sup>4</sup>	18,88 cm <sup>4</sup>	1,405 kg/m	
	64-4356-4357	KAPI ALTI EŞİK PROFİLİ DOOR THRESHOLD PROFILE	-	-	1,000 kg/m	

\*\* Her profil için minimum sipariş 300 kg'dır.  
\*\* Minimum order quantity is 300 kg per profile.





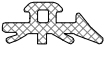

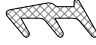
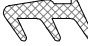



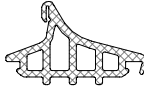
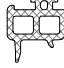

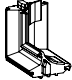
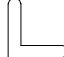



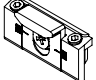

PROFİL KESİTİ PROFILE SECTION	PROFİL KODU PROFILE CODE	PROFİL ADI PROFILE NAME	Jx cm <sup>4</sup>	Jy cm <sup>4</sup>	AĞIRLIK (kg/m) WEIGHT
	10012	PERVAZ PROFİLİ SILL PROFILE	-	-	0,805 kg/m
	553	PERVAZ PROFİLİ SILL PROFILE	-	-	0,656 kg/m
	3537	CAM ÇİTASI (41,5 mm) GLAZING BEAD (41,5 mm)	-	-	0,367 kg/m
	1749	CAM ÇİTASI (38,5 mm) GLAZING BEAD (38,5 mm)	-	-	0,356 kg/m
	1750	CAM ÇİTASI (38,5 mm) GLAZING BEAD (38,5 mm)	-	-	0,342 kg/m
	1748	CAM ÇİTASI (34,5 mm) GLAZING BEAD (34,5 mm)	-	-	0,327 kg/m
	1747	CAM ÇİTASI (34,5 mm) GLAZING BEAD (34,5 mm)	-	-	0,340 kg/m
	3536	CAM ÇİTASI (31,5 mm) GLAZING BEAD (31,5 mm)	-	-	0,329 kg/m
	3636	CAM ÇİTASI (29,5 mm) GLAZING BEAD (29,5 mm)	-	-	0,321 kg/m
	1966	CAM ÇİTASI (27,5 mm) GLAZING BEAD (27,5 mm)	-	-	0,314 kg/m
	2236	CAM ÇİTASI (26,5 mm) GLAZING BEAD (26,5 mm)	-	-	0,310 kg/m
	1949	CAM ÇİTASI (25,5 mm) GLAZING BEAD (25,5 mm)	-	-	0,306 kg/m
	5527	CAM ÇİTASI (25,5 mm) GLAZING BEAD (25,5 mm)	-	-	0,293 kg/m
	1745	CAM ÇİTASI (21,5 mm) GLAZING BEAD (21,5 mm)	-	-	0,292 kg/m
	1746	CAM ÇİTASI (21,5 mm) GLAZING BEAD (21,5 mm)	-	-	0,279 kg/m
	5546	CAM ÇİTASI (19,5 mm) GLAZING BEAD (19,5 mm)	-	-	0,271 kg/m
	3539	CAM ÇİTASI (17 mm) GLAZING BEAD (17 mm)	-	-	0,277 kg/m
	1699	CAM ÇİTASI (19,5 mm) GLAZING BEAD (19,5 mm)	-	-	0,285 kg/m
	1698	CAM ÇİTASI (13,5 mm) GLAZING BEAD (13,5 mm)	-	-	0,270 kg/m
	1948	CAM ÇİTASI (7,5 mm) GLAZING BEAD (7,5 mm)	-	-	0,235 kg/m
	1736	KÖŞE DÖNÜŞ ÇİTASI CORNER BEAD	-	-	0,210 kg/m
	1773	ORTA KAYIT BAĞLANTI PROFİLİ MULLION CONNECTION PROFILE	-	-	0,985 kg/m

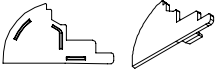
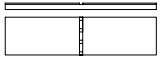

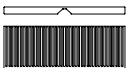
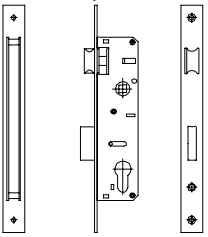
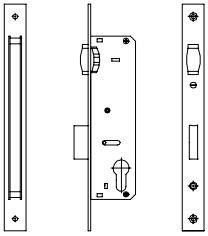
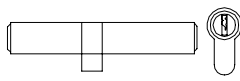

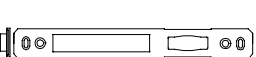
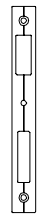
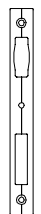
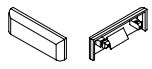
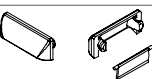
\*\* Her profil için minimum sipariş 300 kg'dır.  
\*\* Minimum order quantity is 300 kg per profile.

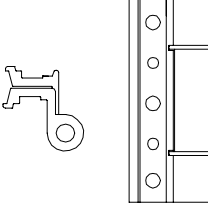
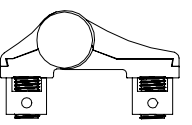
PROFİL KESİTİ PROFILE SECTION	PROFİL KODU PROFILE CODE	PROFİL ADI PROFILE NAME	Jx cm <sup>4</sup>	Jy cm <sup>4</sup>	AĞIRLIK (kg/m) WEIGHT
	1774	ORTA KAYIT BAĞLANTI PROFİLİ MULLION CONNECTION PROFILE	-	-	0,365 kg/m
	1121	T BAĞLANTI PROFİLİ T CONNECTION PROFILE	-	-	0,233 kg/m
	1123	T BAĞLANTI PROFİLİ T CONNECTION PROFILE	-	-	0,355 kg/m
	1035	T BAĞLANTI PROFİLİ T CONNECTION PROFILE	-	-	0,240 kg/m
	1139	T BAĞLANTI PROFİLİ T CONNECTION PROFILE	-	-	0,236 kg/m
	6414	T BAĞLANTI PROFİLİ T CONNECTION PROFILE	-	-	0,175 kg/m
	3917	T BAĞLANTI PROFİLİ T CONNECTION PROFILE	-	-	0,162 kg/m
	3832	T BAĞLANTI PROFİLİ T CONNECTION PROFILE	-	-	0,175 kg/m
	3818	T BAĞLANTI PROFİLİ T CONNECTION PROFILE	-	-	0,210 kg/m
	7039	T BAĞLANTI PROFİLİ T CONNECTION PROFILE	-	-	0,260 kg/m
	5788	T BAĞLANTI PROFİLİ T CONNECTION PROFILE	-	-	0,205 kg/m
	1661	KÖŞE TAKOZ PROFİLİ CORNER WEDGE PROFILE	-	-	3,629 kg/m
	1662	KÖŞE TAKOZ PROFİLİ CORNER WEDGE PROFILE	-	-	2,576 kg/m
	1663	KÖŞE TAKOZ PROFİLİ CORNER WEDGE PROFILE	-	-	3,526 kg/m
	1695	KÖŞE TAKOZ PROFİLİ CORNER WEDGE PROFILE	-	-	2,540 kg/m
	3546	KÖŞE TAKOZ PROFİLİ CORNER WEDGE PROFILE	-	-	3,357 kg/m
	3698	KÖŞE TAKOZ PROFİLİ CORNER WEDGE PROFILE	-	-	4,604 kg/m
	7022	KÖŞE TAKOZ PROFİLİ CORNER WEDGE PROFILE	-	-	3,952 kg/m
	3547	KÖŞE TAKOZ PROFİLİ CORNER WEDGE PROFILE	-	-	4,884 kg/m
	1398	KÖŞE TAKOZ PROFİLİ CORNER WEDGE PROFILE	-	-	5,089 kg/m
	1760	KÖŞE TAKOZ PROFİLİ CORNER WEDGE PROFILE	-	-	8,436 kg/m
	1664	KÖŞE TAKOZ PROFİLİ CORNER WEDGE PROFILE	-	-	3,991 kg/m

\*\* Her profil için minimum sipariş 300 kg'dır.  
\*\* Minimum order quantity is 300 kg per profile.

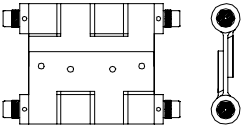
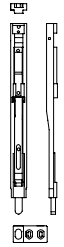
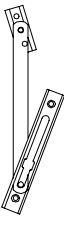
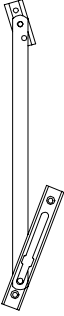
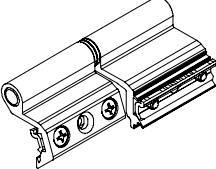
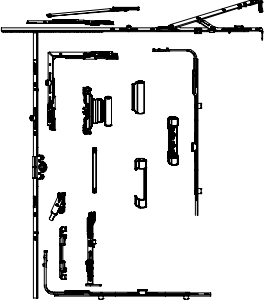
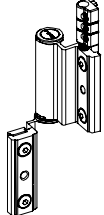


AKSESUAR ACCESSORY	STOK KODU REFERENCE CODE	AKSESUAR ADI DESCRIPTION	AKSESUAR KODU PRODUCT CODE	PAKET PACK
	AKS1275	KASA FİTİLİ FRAME GASKET	WD64T-KBF.36	300 mt / paket 10 kg
	AKS1285	KASA FİTİLİ FRAME GASKET	WD64T-KBF.46	275 mt / paket 10 kg
	AKS1287	KANAT FİTİLİ SASH GASKET	WD64T-KBF.56	235 mt / paket 10 kg
	AKS1254	DIŞ CAM FİTİLİ OUTER GLAZING GASKET	WD64T-DCF.30	215 mt / paket 10 kg
	AKS1256	DIŞ CAM FİTİLİ OUTER GLAZING GASKET	WD64T-DCF.45	130 mt / paket 10 kg
	AKS1338	İÇ CAM FİTİLİ INNER GLAZING GASKET	WD64T-İCF.30	330 mt / paket 10 kg
	AKS1339	İÇ CAM FİTİLİ INNER GLAZING GASKET	WD64T-İCF.40	205 mt / paket 10 kg
	AKS1341	İÇ CAM FİTİLİ INNER GLAZING GASKET	WD64T-İCF.50	175 mt / paket 10 kg
	AKS1337	İÇ CAM FİTİLİ INNER GLAZING GASKET	WD64T-İCF.23	210 mt / paket 10 kg
	AKS1340	İÇ CAM FİTİLİ INNER GLAZING GASKET	WD64T-İCF.45	225 mt / paket 10 kg
	AKS1328	ORTA BİNİ FİTİLİ MIDDLE GASKET	WD64T-OBF.64	40 mt / paket 10 kg
	AKS1318	ETEK BİNİ FİTİLİ BOTTOM PROFILE GASKET	WD64T-ETF.10	125 mt / paket 10 kg/mt
	AKS824	ALÜMİNYUM KAPI ALTI FIRÇASI ALUMINIUM DOORBASE BRUSH	WD64T-KF.200	100 ad / 1 pk
	AKS1478	VUKANİZE KÖŞE BAĞLANTI VULCANIZED CORNER CONNECTION	WD64T-KVF.64	20 ad / 1 pk
	AKS789	KÖŞE GÖNYE CORNER BRACKET	WD64T-KG.318	1000 ad / 1 pk
	AKS785	KÖŞE ÇAVUŞU CORNER CONNECTION	WD64T-FJ.314	250 ad / 1 pk
	AKS714	SİSTEM WD64T ADAPTÖR KAPAĞI SYSTEM WD64T ADAPTER COVER	WD64T-ADK.255	100 ad / 1 pk
	AKS715	SİSTEM WD64T PVC KANALLI ADAPTÖR KAPAĞI SYSTEM WD64T PVC GROOVED ADAPTER COVER	WD64T-ADK.256	100 ad / 1 pk
	AKS743	AYARLI İSPANYOLET KARŞILIĞI (SETSKURLU) ADJUSTABLE ESPAGNOLETTE STRIKER (PINNED)	WD64T-TPK.201	100 ad / 1 pk
	AKS739	İSPANYOLET PİMİ (EURO KANAL) ESPAGNOLETTE PIN (EURO GROOVED)	WD64T-TP.100	100 ad / 1 pk

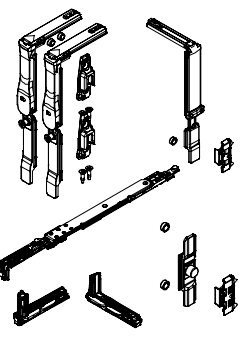
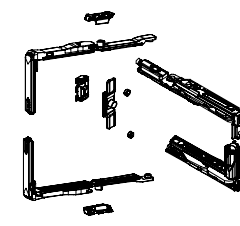
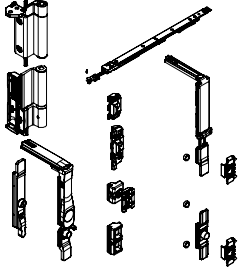
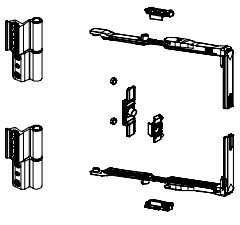
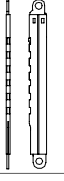
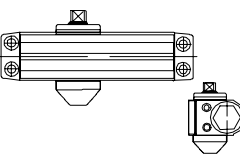

AKSESUAR ACCESSORY	STOK KODU REFERENCE CODE	AKSESUAR ADI DESCRIPTION	AKSESUAR KODU PRODUCT CODE	PAKET PACK
	AKS737	DAMLALIK KAPAK SILL COVER	WD64T-DK.50	1 tk / 1 pk
	AKS1912	CAM TAKOZU (3X20X80 mm) GLAZING WEDGE (3X20X80 mm)	WD64T-CT.203	1000 ad / 1 pk
	AKS1915	CAM TAKOZU (5X20X80 mm) GLAZING WEDGE (5X20X80 mm)	WD64T-CT.208	1000 ad / 1 pk
	AKS1916	CAM TAKOZU (5X28X80 mm) GLAZING WEDGE (5X28X80 mm)	WD64T-CT.210	1000 ad / 1 pk
	AKS1667	153/35 mm DİLLİ KİLİT BOLT LOCK	WD64T-DK.401	30 ad / 1 pk
	AKS1671	155/35 mm MAKARALI KİLİT ROLLED LOCK	WD64T-MK.405	30 ad / 1 pk
	AKS1721	96 mm BAREL 96 mm CYLINDER	WD64T-BR.106	24 ad / 1 pk
	AKS4742	OVAL SERİ KİLİT KARŞILIĞI (GALVANİZ) OVAL SERIES LOCK STRIKER (GALVANIZE)	WD64T-KK.210	50 ad / 1 pk
	AKS421	OVAL SERİ KİLİT KARŞILIĞI (MAKARALI) OVAL SERIES LOCK STRIKER (ROLLED)	WD64T-KK.211	50 ad / 1 pk
	AKS423	SİSTEM KİLİT KARŞILIĞI DİLLİ (ELOKSALLI) SYSTEM BOLT LOCK STRIKER (ANODIZED)	WD64T-DK.301	50 ad / 1 pk
	AKS424	SİSTEM KİLİT KARŞILIĞI DİLLİ (BEYAZ) SYSTEM BOLT LOCK STRIKER (WHITE)	WD64T-DK.302	50 ad / 1 pk
	AKS425	SİSTEM KİLİT KARŞILIĞI DİLLİ (RENKLİ) SYSTEM BOLT LOCK STRIKER (COLORED)	WD64T-DK.303	50 ad / 1 pk
	AKS427	SİSTEM KİLİT KARŞILIĞI MAKARALI (ELOKSALLI) SYSTEM ROLLED LOCK STRIKER (ANODIZED)	WD64T-MK.310	50 ad / 1 pk
	AKS428	SİSTEM KİLİT KARŞILIĞI MAKARALI (BEYAZ) SYSTEM ROLLED LOCK STRIKER (WHITE)	WD64T-MK.311	50 ad / 1 pk
	AKS429	SİSTEM KİLİT KARŞILIĞI DİLLİ (RENKLİ) SYSTEM ROLLED LOCK STRIKER (COLORED)	WD64T-MK.312	50 ad / 1 pk
	AKS1557	SABİT PERDELİ YAĞMUR TAHLİYE KAPAK WATER DRAIN COVER (FIXED)	WD64T-TK.115	1000 ad / 1 pk
	AKS1556	HAREKETLİ PERDELİ YAĞMUR TAHLİYE KAPAK WATER DRAIN COVER (MOVEABLE)	WD64T-TK.112	1000 ad / 1 pk


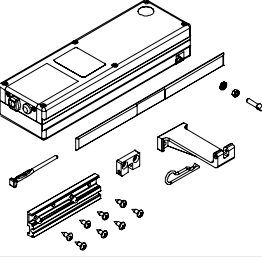
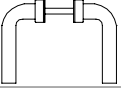
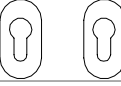
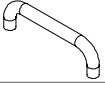
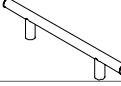
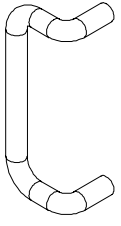
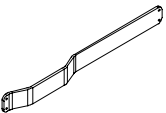

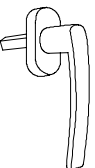
AKSESUAR ACCESSORY	STOK KODU REFERENCE CODE	AKSESUAR ADI DESCRIPTION	AKSESUAR KODU PRODUCT CODE	PAKET PACK
	AKS43	WD64T PİVOT MENTEŞE (ELOKSAL) WD64T PIVOT HINGE (ANODIZED)	WD64T-PM.1005	1 ad / 1 pk
	AKS44	WD64T PİVOT MENTEŞE (BEYAZ) WD64T PIVOT HINGE (WHITE)	WD64T-PM.1006	1 ad / 1 pk
	AKS45	WD64T PİVOT MENTEŞE (RENKLİ) WD64T PIVOT HINGE (COLORED)	WD64T-PM.1007	1 ad / 1 pk
	AKS30	SİSTEM PENCERE MENTEŞE (ELOKSALLI) SYSTEM WINDOW HINGE (ANODIZED)	WD64T-PM.901	10 ad / 1 pk
	AKS31	SİSTEM PENCERE MENTEŞE (BEYAZ) SYSTEM WINDOW HINGE (WHITE)	WD64T-PM.902	10 ad / 1 pk
	AKS32	SİSTEM PENCERE MENTEŞE (RENKLİ) SYSTEM WINDOW HINGE (COLORED)	WD64T-PM.903	10 ad / 1 pk
	AKS59	SİSTEM PENCERE VE KAPI MENTEŞE (ELOKSALLI) SYSTEM WINDOW AND DOOR HINGE (ANODIZED)	WD64T-PKM.101	10 ad / 1 pk
	AKS60	SİSTEM PENCERE VE KAPI MENTEŞE (BEYAZ) SYSTEM WINDOW AND DOOR HINGE (WHITE)	WD64T-PKM.102	10 ad / 1 pk
	AKS61	SİSTEM PENCERE VE KAPI MENTEŞE (RENKLİ) SYSTEM WINDOW AND DOOR HINGE (COLORED)	WD64T-PKM.103	10 ad / 1 pk
	AKS64	SİSTEM KAPI MENTEŞE (ELOKSALLI) SYSTEM DOOR HINGE (ANODIZED)	WD64T-KM.111	10 ad / 1 pk
	AKS65	SİSTEM KAPI MENTEŞE (BEYAZ) SYSTEM DOOR HINGE (WHITE)	WD64T-KM.112	10 ad / 1 pk
	AKS66	SİSTEM KAPI MENTEŞE (RENKLİ) SYSTEM DOOR HINGE (COLORED)	WD64T-KM.113	10 ad / 1 pk
	AKS47	İÇE VE DIŞA AÇILIR BİNİLİ KAPI MENTEŞE (ELOKSALLI) INWARD AND OUTWARD OPENING HINGE (ANODIZED)	WD64T-KM.050	1 ad / 1 pk
	AKS48	İÇE VE DIŞA AÇILIR BİNİLİ KAPI MENTEŞE (BEYAZ) INWARD AND OUTWARD OPENING HINGE (WHITE)	WD64T-KM.051	1 ad / 1 pk
	AKS49	İÇE VE DIŞA AÇILIR BİNİLİ KAPI MENTEŞE (RENKLİ) INWARD AND OUTWARD OPENING HINGE (COLORED)	WD64T-KM.052	1 ad / 1 pk
	AKS50	HEMYÜZ İÇE AÇILIR KAPI MENTEŞE (ELOKSALLI) SYMMETRICAL INWARD OPENING HINGE (ANODIZED)	WD64T-KM.055	1 ad / 1 pk
	AKS51	HEMYÜZ İÇE AÇILIR KAPI MENTEŞE (BEYAZ) SYMMETRICAL INWARD OPENING HINGE (WHITE)	WD64T-KM.056	1 ad / 1 pk
	AKS52	HEMYÜZ İÇE AÇILIR KAPI MENTEŞE (RENKLİ) SYMMETRICAL INWARD OPENING HINGE (COLORED)	WD64T-KM.057	1 ad / 1 pk
	AKS53	HEMYÜZ DIŞA AÇILIR KAPI MENTEŞE (ELOKSALLI) SYMMETRICAL OUTWARD OPENING HINGE (ANODIZED)	WD64T-KM.060	1 ad / 1 pk
	AKS54	HEMYÜZ DIŞA AÇILIR KAPI MENTEŞE (BEYAZ) SYMMETRICAL OUTWARD OPENING HINGE (WHITE)	WD64T-KM.061	1 ad / 1 pk
	AKS55	HEMYÜZ DIŞA AÇILIR KAPI MENTEŞE (RENKLİ) SYMMETRICAL OUTWARD OPENING HINGE (COLORED)	WD64T-KM.062	1 ad / 1 pk


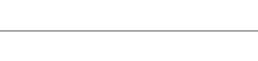
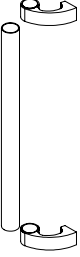

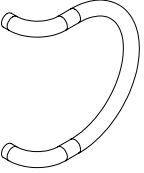
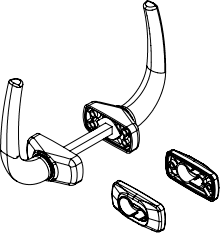
AKSESUAR ACCESSORY	STOK KODU REFERENCE CODE	AKSESUAR ADI DESCRIPTION	AKSESUAR KODU PRODUCT CODE	PAKET PACK
	AKS56	DIŞA AÇILIR ADAPTÖRLÜ BİNİLİ KAPI MENTEŞE (ELOKSALLI) OUTWARD OPENING OVERLAPPING HINGE (ANODIZED)	WD64T-KM.065	1 ad / 1 pk
	AKS57	DIŞA AÇILIR ADAPTÖRLÜ BİNİLİ KAPI MENTEŞE (BEYAZ) OUTWARD OPENING OVERLAPPING HINGE (WHITE)	WD64T-KM.066	1 ad / 1 pk
	AKS58	DIŞA AÇILIR ADAPTÖRLÜ BİNİLİ KAPI MENTEŞE (RENKLİ) OUTWARD OPENING OVERLAPPING HINGE (COLORED)	WD64T-KM.067	1 ad / 1 pk
	AKS84	İÇE VE DIŞA AÇILIR BİNİLİ KAPI MENTEŞE (ELOKSALLI) INWARD AND OUTWARD OPENING HINGE (ANODIZED)	WD64T-KM.820	1 ad / 1 pk
	AKS85	İÇE VE DIŞA AÇILIR BİNİLİ KAPI MENTEŞE (BEYAZ) INWARD AND OUTWARD OPENING HINGE (WHITE)	WD64T-KM.821	1 ad / 1 pk
	AKS86	İÇE VE DIŞA AÇILIR BİNİLİ KAPI MENTEŞE (RENKLİ) INWARD AND OUTWARD OPENING HINGE (COLORED)	WD64T-KM.822	1 ad / 1 pk
	AKS87	HEMYÜZ İÇE AÇILIR KAPI MENTEŞE (ELOKSALLI) SYMMETRICAL INWARD OPENING HINGE (ANODIZED)	WD64T-KM.825	1 ad / 1 pk
	AKS88	HEMYÜZ İÇE AÇILIR KAPI MENTEŞE (BEYAZI) SYMMETRICAL INWARD OPENING HINGE (WHITE)	WD64T-KM.826	1 ad / 1 pk
	AKS89	HEMYÜZ İÇE AÇILIR KAPI MENTEŞE (RENKLİ) SYMMETRICAL INWARD OPENING HINGE (COLORED)	WD64T-KM.827	1 ad / 1 pk
	AKS93	DIŞA AÇILIR ADAPTÖRLÜ BİNİLİ KAPI MENTEŞE (ELOKSALLI) OUTWARD OPENING OVERLAPPING HINGE (ANODIZED)	WD64T-KM.835	1 ad / 1 pk
	AKS94	DIŞA AÇILIR ADAPTÖRLÜ BİNİLİ KAPI MENTEŞE (BEYAZ) OUTWARD OPENING OVERLAPPING HINGE (WHITE)	WD64T-KM.836	1 ad / 1 pk
	AKS95	DIŞA AÇILIR ADAPTÖRLÜ BİNİLİ KAPI MENTEŞE (RENKLİ) OUTWARD OPENING OVERLAPPING HINGE (COLORED)	WD64T-KM.837	1 ad / 1 pk
	AKS90	HEMYÜZ DIŞA AÇILIR KAPI MENTEŞE (ELOKSALLI) SYMMETRICAL OUTWARD OPENING HINGE (ANODIZED)	WD64T-KM.830	1 ad / 1 pk
	AKS91	HEMYÜZ DIŞA AÇILIR KAPI MENTEŞE (BEYAZ) SYMMETRICAL OUTWARD OPENING HINGE (WHITE)	WD64T-KM.831	1 ad / 1 pk
	AKS92	HEMYÜZ DIŞA AÇILIR KAPI MENTEŞE (RENKLİ) SYMMETRICAL OUTWARD OPENING HINGE (COLORED)	WD64T-KM.832	1 ad / 1 pk
	AKS507	SİSTEM AYARLI VASİSTAS ÇARPMA (NATUREL) SYSTEM TRANSOM CATCH (NATURAL)	WD64T-VÇ.702	100 ad / 1 pk
	AKS508	SİSTEM AYARLI VASİSTAS ÇARPMA (BEYAZ) SYSTEM TRANSOM CATCH (WHITE)	WD64T-VÇ.703	100 ad / 1 pk
	AKS509	SİSTEM AYARLI VASİSTAS ÇARPMA (RENKLİ) SYSTEM TRANSOM CATCH (COLORED)	WD64T-VÇ.704	100 ad / 1 pk
	AKS747	KASA DIŞ KÖŞE GÖNYE CORNER BRACKET	WD64T-KG.178	500 ad / 1 pk
	AKS3929	LEVYE KOL (EURO KANAL İÇİN) SHOOTBOLT KIT LOCKING (FOR EURO GROOVE)	WD64T-LK.201	1 ad / 1 pk

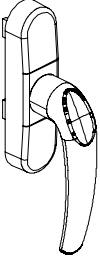
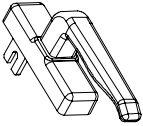
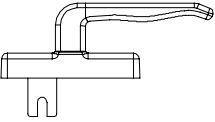
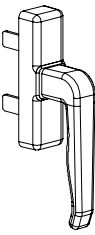
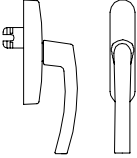
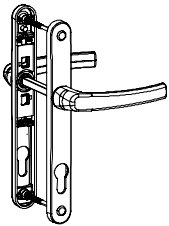
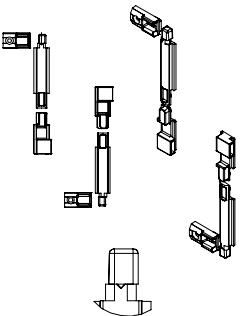
AKSESUAR ACCESSORY	STOK KODU REFERENCE CODE	AKSESUAR ADI DESCRIPTION	AKSESUAR KODU PRODUCT CODE	PAKET PACK
	AKS100	ÇARPMA KAPI MENTEŞE (ELOKSALLI) OUTWARD OPENING OVERLAPPING HINGE (ANODIZED)	WD64T-ÇM.206	2 ad / 1 pk
	AKS99	ÇARPMA KAPI MENTEŞE (BEYAZ) OUTWARD OPENING OVERLAPPING HINGE (WHITE)	WD64T-ÇM.202	2 ad / 1 pk
	AKS437	SİSTEM UZUN ZAMAK SÜRGÜ (NATUREL) SYSTEM ZAMAK LATCH (NATURAL)	WD64T-FS.201	10 ad / 1 pk
	AKS438	SİSTEM UZUN ZAMAK SÜRGÜ (BEYAZ) SYSTEM ZAMAK LATCH (WHITE)	WD64T-FS.202	10 ad / 1 pk
	AKS439	SİSTEM UZUN ZAMAK SÜRGÜ (RENKLİ) SYSTEM ZAMAK LATCH (COLORED)	WD64T-FS.203	10 ad / 1 pk
	AKS489	SİSTEM 13 CM VASİSTAS MAKAS (NATUREL) SYSTEM 13 CM TRANSOM TRUSS (ANODIZED)	WD64T-VM.301	50 ad / 1 pk
	AKS490	SİSTEM 13 CM VASİSTAS MAKAS (BEYAZ) SYSTEM 13 CM TRANSOM TRUSS (WHITE)	WD64T-VM.302	50 ad / 1 pk
	AKS491	SİSTEM 13 CM VASİSTAS MAKAS (RENKLİ) SYSTEM 13 CM TRANSOM TRUSS (COLORED)	WD64T-VM.303	50 ad / 1 pk
	AKS493	SİSTEM 22 CM VASİSTAS MAKAS (NATUREL) SYSTEM 22 CM TRANSOM TRUSS (ANODIZED)	WD64T-VM.401	50 ad / 1 pk
	AKS494	SİSTEM 22 CM VASİSTAS MAKAS (BEYAZ) SYSTEM 22 CM TRANSOM TRUSS (WHITE)	WD64T-VM.402	50 ad / 1 pk
	AKS495	SİSTEM 22 CM VASİSTAS MAKAS (RENKLİ) SYSTEM 22 CM TRANSOM TRUSS (COLORED)	WD64T-VM.403	50 ad / 1 pk
	AKS540	PVC KANALLI TEK AÇILIM MENTEŞE TAKIMI (9/18) PVC GROOVED CASEMENT HINGE (9/18)	WD64T-PM.650	10 ad / 1 pk
	AKS3930	PVC KANALLI ÇİFT AÇILIM MENTEŞE TAKIMI TİP 1 (9/18) PVC GROOVED TILT&TURN SET (9/18)	WD64T-PMT.420	1 ad / 1 pk
	AKS69	AYARLI KAPI MENTEŞESİ ESPAGNOLETTE-80 cm	WD64T-AKM.120	2 ad / 1 pk
	AKS70	AYARLI KAPI MENTEŞESİ ESPAGNOLETTE-80 cm	WD64T-AKM.121	2 ad / 1 pk
	AKS71	AYARLI KAPI MENTEŞESİ ESPAGNOLETTE-80 cm	WD64T-AKM.122	2 ad / 1 pk


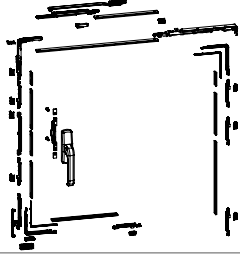

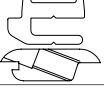
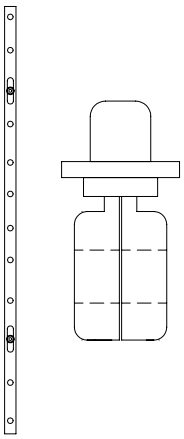



AKSESUAR ACCESSORY	STOK KODU REFERENCE CODE	AKSESUAR ADI DESCRIPTION	AKSESUAR KODU PRODUCT CODE		PAKET PACK
	AKS3972	GİZLİ MENTEŞELİ ÇİFT AÇILIM SETİ TİP 1 (SAĞ-SOL) HIDDEN HINGE TILT-TURN SET TYPE 1 (RIGHT-LEFT)	WD64T-GM.470	TAŞIMA KAPASİTESİ 100 KG LOADING CAPACITY 100 KG	1 ad / 1 pk
	AKS763	GİZLİ MENTEŞELİ TEK AÇILIM SETİ (SAĞ-SOL) HIDDEN HINGE CASEMENT SET (RIGHT-LEFT)	WD64T-GM.350	TAŞIMA KAPASİTESİ 100 KG LOADING CAPACITY 100 KG	1 ad / 1 tk
	AKS3978	EURO KANALLI ÇİFT AÇILIM SETİ TİP 1 EURO GROOVED TILT-TURN SET TYPE 1	WD64T-CS.410	TAŞIMA KAPASİTESİ MENTEŞE KİTİ DEĞİŞTİRİLEREK 90 İLE 160 KG ARALIĞINDA TERCİH EDİLEBİLİR. Depending on the hinge selection loading capacity can be between 90-160 kg.	1 ad / 1 pk
	AKS766	TEK AÇILIM SETİ CASEMENT SET	WD64T-TS.353	TAŞIMA KAPASİTESİ MENTEŞE KİTİ DEĞİŞTİRİLEREK 65 İLE 160 KG ARALIĞINDA TERCİH EDİLEBİLİR. Depending on the hinge selection loading capacity can be between 65-160 kg.	1 ad / 1 pk
	AKS499	AYARLI KADEMELİ MAKAS 5 KADEME ADJUSTABLE TRUSS	WD64T-KM.1000		10 ad / 1 pk
	AKS500	AYARLI KADEMELİ MAKAS 3 KADEME ADJUSTABLE TRUSS	WD64T-KM.1001		10 ad / 1 pk
	AKS2593	KAPI POMPASI DOOR PUMP	WD64T-KP.306		1 ad / 1 tk
	AKS4212	40'LİK KÖR KASA YALITIM BANDI BLIND FRAME INSULATING TAPE (40)	WD64T-KTB.100		50 mt / 1 top
	AKS4213	60'LİK KÖR KASA YALITIM BANDI BLIND FRAME INSULATING TAPE (60)	WD64T-KTB.110		50 mt / 1 top

AKSESUAR ACCESSORY	STOK KODU REFERENCE CODE	AKSESUAR ADI DESCRIPTION	AKSESUAR KODU PRODUCT CODE	PAKET PACK
	AKS2611	KAPI STOPERİ (BEYAZ) DOOR STOPER (WHITE)	WD64T-KP.521	1 ad / 1 pk
	AKS2612	KAPI STOPERİ (RENKLİ) DOOR STOPER (COLORED)	WD64T-KP.522	1 ad / 1 pk
	AKS2613	KAPI STOPERİ (NATUREL) DOOR STOPER (NATURAL)	WD64T-KP.523	1 ad / 1 pk
	AKS2616	MOTORLU YÜKSEK AÇILIM SETİ MOTORIZED HIGH OPENING SET	WD64T-MYAS.20	1 ad / 1 pk
	AKS4315	YAYLI SOSİS KOL SPRING DOOR HANDLE	WD64T-YK.104	1 ad / 1 pk
	AKS4750	YAYLI SOSİS KOL BAREL ROZETİ SPRING DOOR HANDLE CYLINDER BADGE	WD64T-BR.109	2 ad / 1 pk
	AKS401	U KOL (ELOKSALLI) U SHAPED HANDLE (ANODIZED)	WD64T-UK.101	1 ad / 1 pk
	AKS219	H KOL (ELOKSALLI) H SHAPED HANDLE (ANODIZED)	WD64T-HK.309	1 ad / 1 pk
	AKS159	KIVRIK KOL (ELOKSALLI) CONVOLUTED HANDLE (ANODIZED)	WD64T-VK.401	1 ad / 1 pk
	AKS153	25 mm 20 cm KIVRIK KOL (PRES) SEMI-CIRCULAR HANDLE (PRESS)	WD64T-KKP.300	1 ad / 1 pk
	AKS158	25 mm 30 cm KIVRIK KOL (PRES) SEMI-CIRCULAR HANDLE (PRESS)	WD64T-KKP.400	1 ad / 1 pk
	AKS3987	90 CM PLEKSİ BANT KOL 90 CM HANDLE	WD64T-LBK.210	1 tk / 1 pk
	AKS3988	100 CM PLEKSİ BANT KOL 100 CM HANDLE	WD64T-LBK.211	1 tk / 1 pk
	AKS196	50 CM YAY KOL (PRES) 50 CM ARROW HANDLE (PRESS)	WD64T-YK.199	1 ad / 1 pk
	AKS197	50 CM YAY KOL (BEYAZ) 50 CM ARROW HANDLE (WHITE)	WD64T-YK.200	1 ad / 1 pk
	AKS198	50 CM YAY KOL (ELOKSALLI) 50 CM ARROW HANDLE (ANODIZED)	WD64T-YK.201	1 ad / 1 pk
	AKS199	50 CM YAY KOL (RENKLİ) 50 CM ARROW HANDLE (COLORED)	WD64T-YK.202	1 ad / 1 pk
	AKS892	ROTO SECUSTİK PENCERE KOLU ROTO WINDOW HANDLE	WD64T-RK.291	1 ad / 1 pk

AKSESUAR ACCESSORY	STOK KODU REFERENCE CODE	AKSESUAR ADI DESCRIPTION	AKSESUAR KODU PRODUCT CODE	PAKET PACK
	AKS828	PANİK BAR BARELSİZ PANIC BAR	WD64T-PB.103	1 ad / 1 kutu
	AKS830	PANİK BAR ROZETLİ KOL (KİLİTLENEBİLİR) PANIC BAR	WD64T-PB.104	1 ad / 1 kutu
	AKS829	PANİK BAR BARELLİ PANIC BAR	WD64T-PB.105	75 ad / 1 kutu
	AKS1943	PANİK BAR-ÇİFT KANAT SERT BARELSİZ PANIC BAR	WD64T-PB.106	4 ad / 1 kutu
	AKS185	AKBANK KOLU APARATI BORU HARİÇ (PRES) AKBANK DOOR HANDLE (PRESS)	WD64T-AK.100	1 ad / 1 pk
	AKS186	AKBANK KOLU APARATI BORU HARİÇ (ELOKSALLI) AKBANK DOOR HANDLE (ANODIZED)	WD64T-AK.101	1 ad / 1 pk
	AKS187	AKBANK KOLU APARATI BORU HARİÇ (BEYAZ) AKBANK DOOR HANDLE (WHITE)	WD64T-AK.102	1 ad / 1 pk
	AKS188	AKBANK KOLU APARATI BORU HARİÇ (RENKLİ) AKBANK DOOR HANDLE (COLORED)	WD64T-AK.103	1 ad / 1 pk
	AKS190	AKBANK KOLU DÜZ APARATI BORU HARİÇ (PRES) STRAIGHT AKBANK DOOR HANDLE (PRESS)	WD64T-AK.190	1 ad / 1 pk
	AKS174	YARIM AY KAPI KOLU (ELOKSALLI) SEMI-CIRCULAR DOOR HANDLE (ANODIZED)	WD64T-YAK.901	1 ad / 1 pk
	AKS175	YARIM AY KAPI KOLU (B. BOYALI) SEMI-CIRCULAR DOOR HANDLE (PAINTED)	WD64T-YAK.902	1 ad / 1 pk
	AKS176	YARIM AY KAPI KOLU (RENKLİ) SEMI-CIRCULAR DOOR HANDLE (COLORED)	WD64T-YAK.903	1 ad / 1 pk
	AKS307	FORZA EFOR YAYLI KAPI KOLU (BEYAZ) FORZA EFOR DOOR HANDLE (WHITE)	WD64T-FK.902	1 ad / 1 pk
	AKS308	FORZA EFOR YAYLI KAPI KOLU (RENKLİ) FORZA EFOR DOOR HANDLE (COLORED)	WD64T-FK.903	1 ad / 1 pk
	AKS309	FORZA EFOR YAYLI KAPI KOLU (NATUREL) FORZA EFOR DOOR HANDLE (NATURAL)	WD64T-FK.904	1 ad / 1 pk
	AKS122	FORZA EFOR EKSENEL PENCERE KOLU (BEYAZ) FORZA EFOR AXIAL WINDOW HANDLE (WHITE)	WD64T-FPK.702	1 ad / 1 pk
	AKS123	FORZA EFOR EKSENEL PENCERE KOLU (RENKLİ) FORZA EFOR AXIAL WINDOW HANDLE (COLORED)	WD64T-FPK.703	1 ad / 1 pk
	AKS124	FORZA EFOR EKSENEL PENCERE KOLU (NATUREL) FORZA EFOR AXIAL WINDOW HANDLE (NATURAL)	WD64T-FPK.803	1 ad / 1 pk

AKSESUAR ACCESSORY	STOK KODU REFERENCE CODE	AKSESUAR ADI DESCRIPTION	AKSESUAR KODU PRODUCT CODE	PAKET PACK
	AKS3914	FORZA EFOR EKSENEL PENCERE KOLU ÇİFT DİLLİ (PRES) FORZA EFOR AXIAL WINDOW HANDLE (PRESS)	WD64T-PK.708	1 ad / 1 pk
	AKS3915	FORZA EFOR EKSENEL PENCERE KOLU ÇİFT DİLLİ (BEYAZ) FORZA EFOR AXIAL WINDOW HANDLE (WHITE)	WD64T-PK.709	1 ad / 1 pk
	AKS3916	FORZA EFOR EKSENEL PENCERE KOLU ÇİFT DİLLİ (NATUREL) FORZA EFOR AXIAL WINDOW HANDLE (NATURAL)	WD64T-PK.710	1 ad / 1 pk
	AKS3917	FORZA EFOR EKSENEL PENCERE KOLU ÇİFT DİLLİ (RENKLİ) FORZA EFOR AXIAL WINDOW HANDLE (COLORED)	WD64T-PK.711	1 ad / 1 pk
 	AKS125	FORZA YANKI EKSENEL PENCERE KOLU (PRES) FORZA YANKI AXIAL WINDOW HANDLE (PRESS)	WD64T-EK.809	1 ad / 1 pk
	AKS126	FORZA YANKI EKSENEL PENCERE KOLU (NATUREL) FORZA YANKI AXIAL WINDOW HANDLE (NATURAL)	WD64T-EK.810	1 ad / 1 pk
	AKS127	FORZA YANKI EKSENEL PENCERE KOLU (BEYAZ) FORZA YANKI AXIAL WINDOW HANDLE (WHITE)	WD64T-EK.811	1 ad / 1 pk
	AKS128	FORZA YANKI EKSENEL PENCERE KOLU (RENKLİ) FORZA YANKI AXIAL WINDOW HANDLE (COLORED)	WD64T-EK.812	1 ad / 1 pk
	AKS3918	FORZA YANKI EKSENEL PENCERE KOLU ÇİFT DİLLİ(NATUREL) FORZA YANKI AXIAL WINDOW HANDLE (NATUREL)	WD64T-FYK.820	1 ad / 1 pk
	AKS3919	FORZA YANKI EKSENEL PENCERE KOLU ÇİFT DİLLİ(BEYAZ) FORZA YANKI AXIAL WINDOW HANDLE (WHITE)	WD64T-FYK.821	1 ad / 1 pk
	AKS3920	FORZA YANKI EKSENEL PENCERE KOLU ÇİFT DİLLİ(RENKLİ) FORZA YANKI AXIAL WINDOW HANDLE (COLORED)	WD64T-FYK.822	1 ad / 1 pk
	AKS3921	FORZA YANKI EKSENEL PENCERE KOLU ÇİFT DİLLİ(PRES) FORZA YANKI AXIAL WINDOW HANDLE (PRESS)	WD64T-FYK.823	1 ad / 1 pk
	AKS120	EKSENEL KOL ROTO (ELOKSALLI) ROTO AXIAL HANDLE (ANODIZED)	WD64T-RK.601	1 ad / 1 pk
	AKS121	EKSENEL KOL ROTO (ELOKSALLI KİLİTLİ) ROTO AXIAL HANDLE (ANODIZED LOCKED)	WD64T-RK.604	1 ad / 1 pk
	AKS4150	AYNALI KAPI KOLU MIRROR DOOR HANDLE	WD64T-AKK.830	1 ad / 1 pk
	AKS768	ÇİFT MAÇALI KOL TİJ BAĞLANTI DOUBLE HANDLE STEM BAR CONNECTION	WD64T-ÇTB.600	1 tk / 1 pk

AKSESUAR ACCESSORY	STOK KODU REFERENCE CODE	AKSESUAR ADI DESCRIPTION	AKSESUAR KODU PRODUCT CODE	PAKET PACK
	AKS3926	TEK MAÇALI KOL TİJ BAĞLANTI SINGLE HANDLE STEM BAR CONNECTION	WD64T-TTB.610	1 ad / 1 tk
	AKS3989	TBT AÇILIM SETİ SINGLE HANDLE STEM BAR CONNECTION	WD64T-TBT.871	1 ad / 1 tk
	AKS752	PVC KANALLI İSPANYOLET KARŞILIĞI PVC GROOVED ESPAGNOLETTE (SCREWED)	WD64T-PK.217	100 ad / 1 pk
	AKS3927	SİSTEM KANAT KALDIRMA TAKOZU SYSTEM SASH ADJUSTING BRACKET	WD64T-KST.210	50 ad / 1 pk
	AKS1812	İSPANYOLET-80 cm ESPAGNOLETTE-80 cm	WD64T-İSP.452	1 ad / 1 pk
	AKS1813	İSPANYOLET-100 cm ESPAGNOLETTE-100 cm	WD64T-İSP.453	1 ad / 1 pk
	AKS1814	İSPANYOLET-120 cm ESPAGNOLETTE-120 cm	WD64T-İSP.454	1 ad / 1 pk
	AKS1815	İSPANYOLET-140 cm ESPAGNOLETTE-140 cm	WD64T-İSP.455	1 ad / 1 pk
	AKS1816	İSPANYOLET-160 cm ESPAGNOLETTE-160 cm	WD64T-İSP.456	1 ad / 1 pk
	AKS1817	İSPANYOLET-180 cm ESPAGNOLETTE-180 cm	WD64T-İSP.457	1 ad / 1 pk
	AKS2256	Ø3.9X13 mm YSB M.U.V Ø3.9X13 mm SELF DRILLING CURVED TOP SCREW	WD64T-SC.200	1000 ad / 1 pk

**PVC KANALLI ÇİFT AÇILIM**  
PVC GROOVED TILT-TURN

YÜKSEKLİK	GENİŞLİK						
	H \ L	400 - 500	501 - 750	751 - 1000	1001 - 1200	1201 - 1450	1451 - 1600
480 590		TİP 1 01 090420	TİP 2 01 090421	TİP 3 01 090422	TİP 4 01 090423	TİP 5 01 090424	TİP 6 01 090425
591 750		TİP 7 01 090426	TİP 8 01 090427	TİP 9 01 090428	TİP 10 01 090429	TİP 11 01 090430	TİP 12 01 090431
751 1200		TİP 13 01 090432	TİP 14 01 090433	TİP 15 01 090434	TİP 16 01 090435	TİP 17 01 090436	TİP 18 01 090437
951 1450		TİP 19 01 090438	TİP 20 01 090439	TİP 21 01 090440	TİP 22 01 090441	TİP 23 01 090442	TİP 24 01 090443
1201 1700		TİP 25 01 090444	TİP 26 01 090445	TİP 27 01 090446	TİP 28 01 090447	TİP 29 01 090448	TİP 30 01 090449
1201 1700		TİP 31 01 090450	TİP 32 01 090451	TİP 33 01 090452	TİP 34 01 090453	TİP 35 01 090454	TİP 36 01 090455
1201 1700		TİP 37 01 090456	TİP 38 01 090457	TİP 39 01 090458	TİP 40 01 090459	TİP 41 01 090460	TİP 42 01 090461

**EURO KANALLI ÇİFT AÇILIM**  
EURO GROOVED TILT-TURN

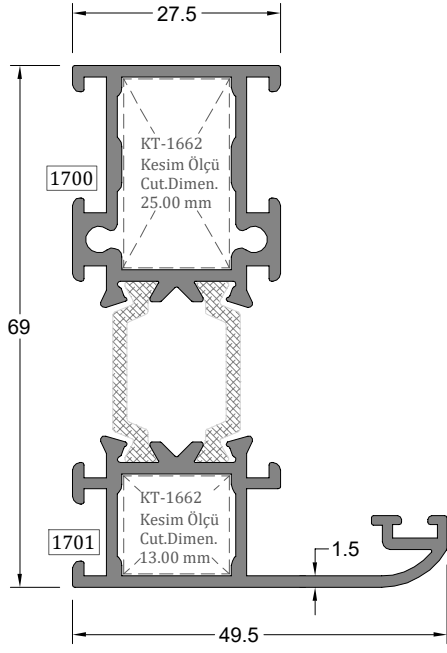
YÜKSEKLİK	GENİŞLİK			
	H \ L	390 - 700	701 -1300	1251 - 1600
580 1200		TİP 1 01 090410	TİP 2 01 090411	TİP 3 01 090412
1201 1800		TİP 4 01 090413	TİP 5 01 090414	TİP 6 01 090415
1801 2400		TİP 7 01 090416	TİP 8 01 090417	TİP 9 01 090418

**GİZLİ MENTEŞELİ ÇİFT AÇILIM SETİ**  
CASEMENT SET WITH CONCEALED HINGE TILT-TURN

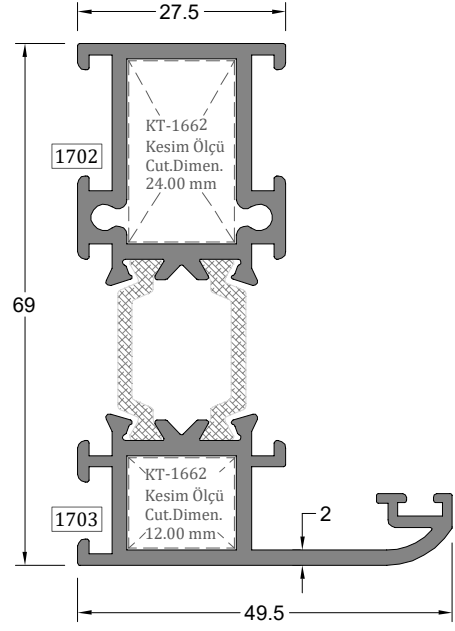
YÜKSEKLİK	GENİŞLİK			
	H \ L	345 - 700	701 -1200	1200 - 1600
580 1200		TİP 1 01 090470	TİP 2 01 090471	TİP 3 01 090472
1801 2400		TİP 4 01 090473	TİP 5 01 090474	TİP 6 01 090475

**TBT AÇILIM**  
TBT OPENING

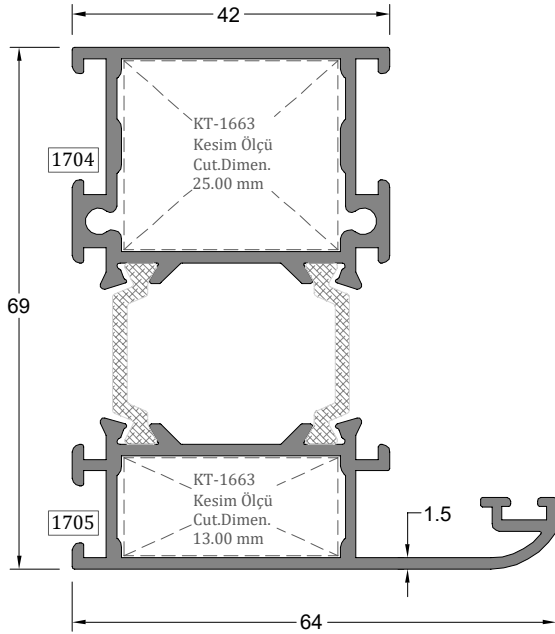
YÜKSEKLİK	GENİŞLİK				
	H \ L	430 - 700	701 -1200	1201 - 1350	1351 - 1600
500 1200		TİP 1 01 090871	TİP 2 01 090872	TİP 3 01 090873	TİP 4 01 090874
1201 2400		TİP 5 01 090875	TİP 6 01 090876	TİP 7 01 090877	TİP 8 01 090878



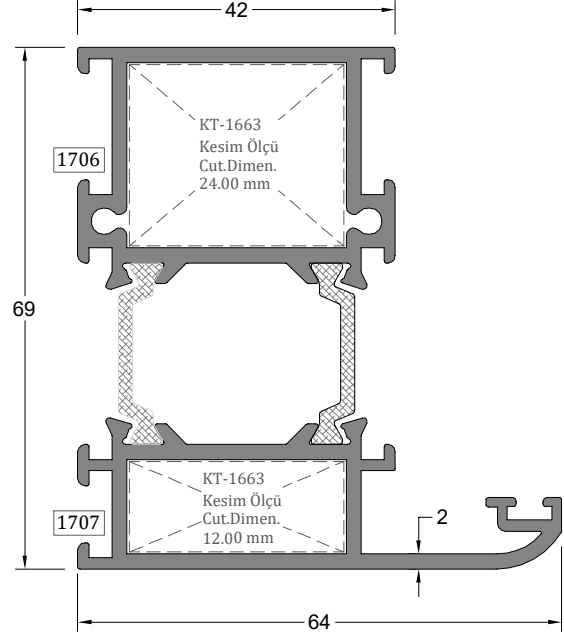
Kasa Profili FRAME PROFILE	Profil Kodu Profile Code	(kg/mt) Weight	Jx cm <sup>4</sup>	Jy cm <sup>4</sup>
	64-1700-1701	1,423	25,80	7,22



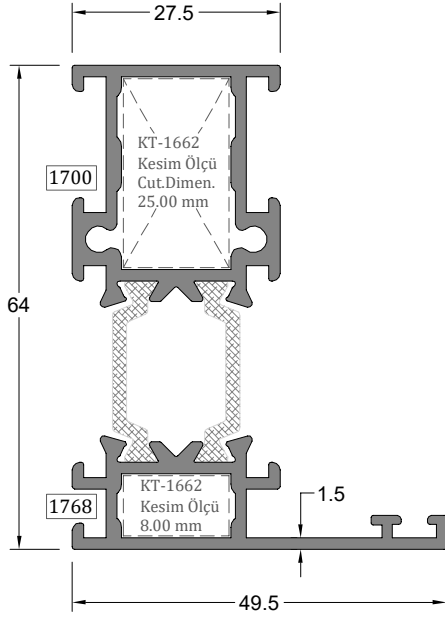
Kasa Profili FRAME PROFILE	Profil Kodu Profile Code	(kg/mt) Weight	Jx cm <sup>4</sup>	Jy cm <sup>4</sup>
	64-1702-1703	1,604	30,23	7,98



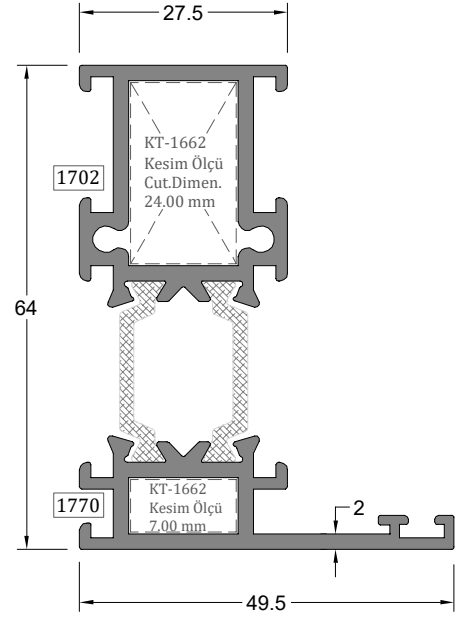
Kasa Profili FRAME PROFILE	Profil Kodu Profile Code	(kg/mt) Weight	Jx cm <sup>4</sup>	Jy cm <sup>4</sup>
	64-1704-1705	1,663	31,55	16,62



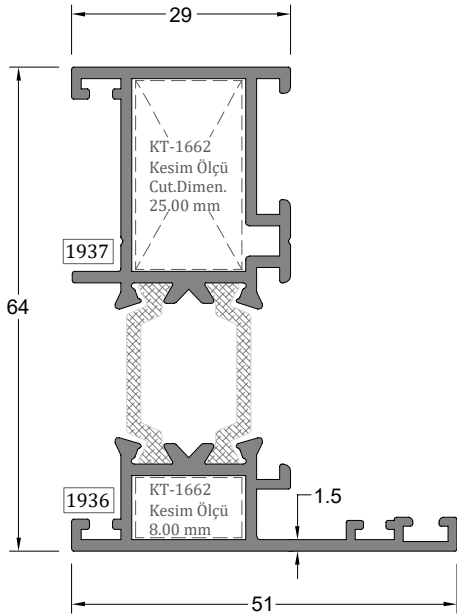
Kasa Profili FRAME PROFILE	Profil Kodu Profile Code	(kg/mt) Weight	Jx cm <sup>4</sup>	Jy cm <sup>4</sup>
	64-1706-1707	1,926	37,89	18,61



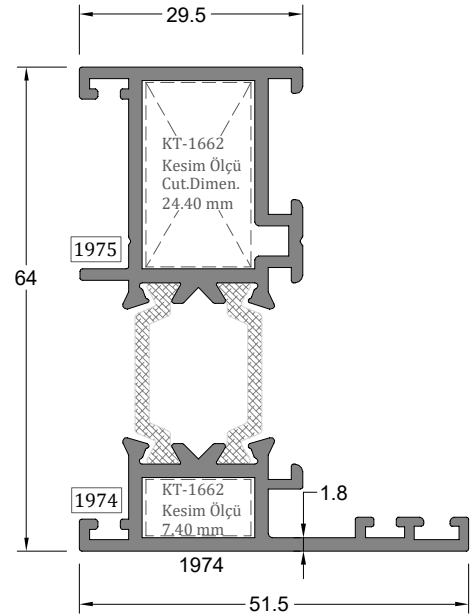
Kasa Profili	Profil Kodu	(kg/mt)	Jx cm <sup>4</sup>	Jy cm <sup>4</sup>
FRAME PROFILE	Profile Code	Weight		
	64-1700-1768	1,341	21,42	5,94



Kasa Profili	Profil Kodu	(kg/mt)	Jx cm <sup>4</sup>	Jy cm <sup>4</sup>
FRAME PROFILE	Profile Code	Weight		
	64-1702-1770	1,496	24,76	6,37

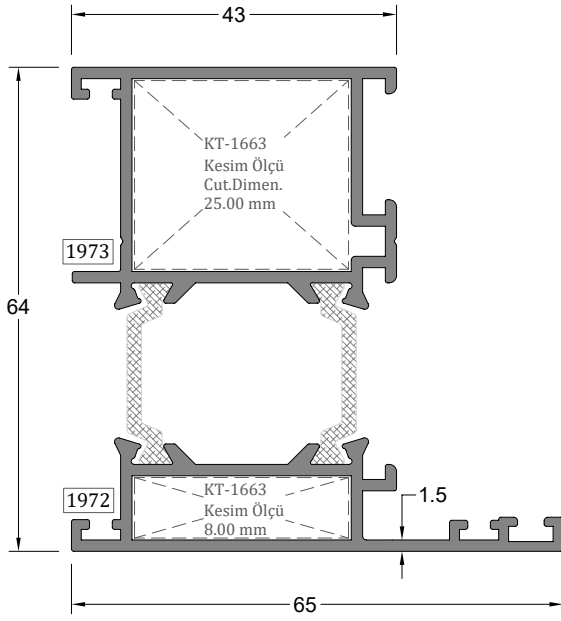


Kasa Profili	Profil Kodu	(kg/mt)	Jx cm <sup>4</sup>	Jy cm <sup>4</sup>
FRAME PROFILE	Profile Code	Weight		
	64-1937-1936	1,263	21,01	5,42

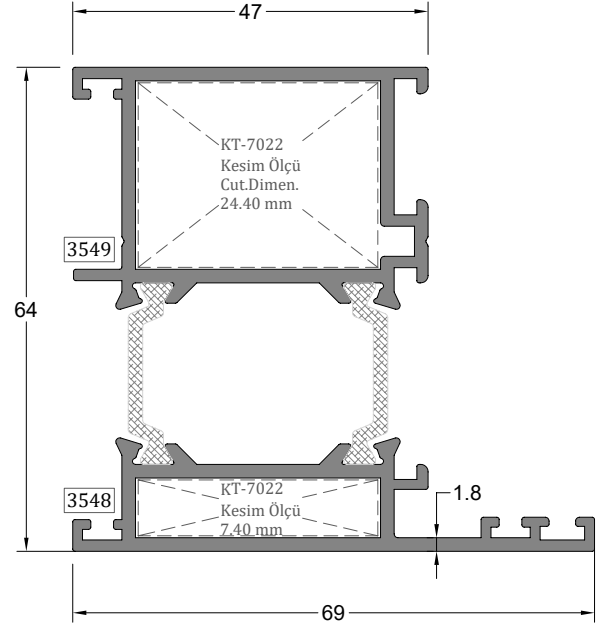


Kasa Profili	Profil Kodu	(kg/mt)	Jx cm <sup>4</sup>	Jy cm <sup>4</sup>
FRAME PROFILE	Profile Code	Weight		
	64-1975-1974	1,413	23,81	6,10

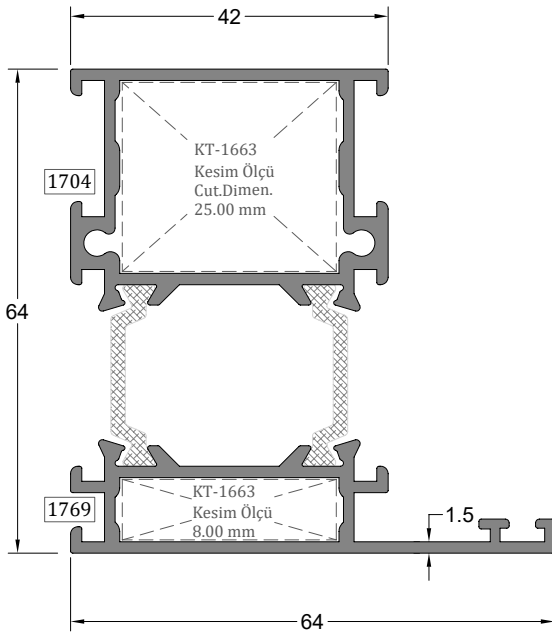




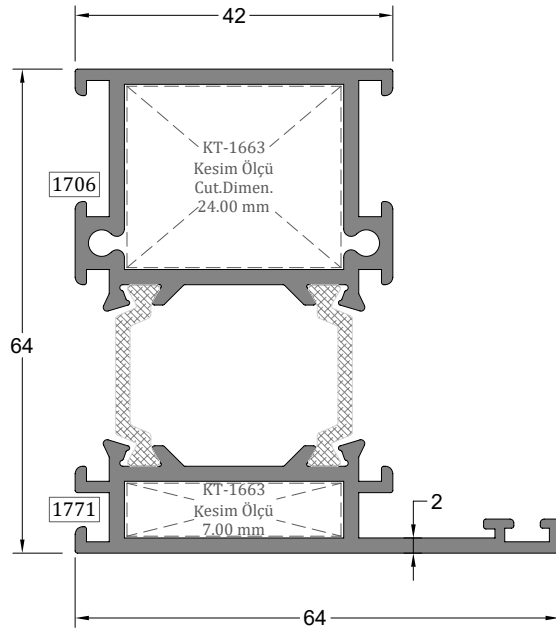
Kasa Profili	Profil Kodu	(kg/mt)	Jx cm <sup>4</sup>	Jy cm <sup>4</sup>
FRAME PROFILE	Profile Code	Weight		
	64-1973-1972	1,543	26,06	12,88



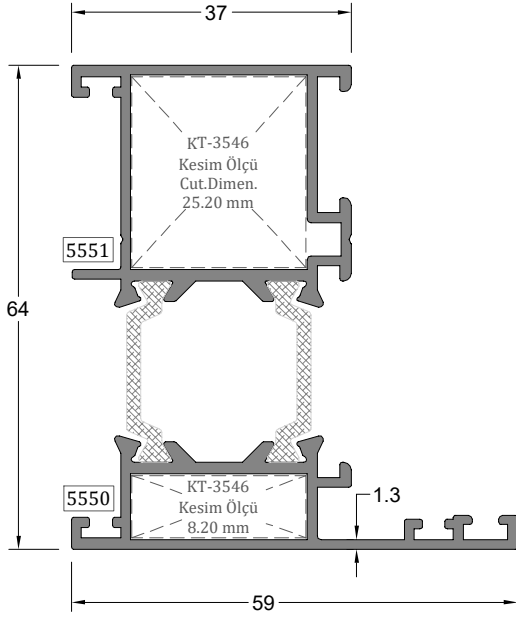
Kasa Profili	Profil Kodu	(kg/mt)	Jx cm <sup>4</sup>	Jy cm <sup>4</sup>
FRAME PROFILE	Profile Code	Weight		
	64-3549-3548	1,731	31,20	17,29



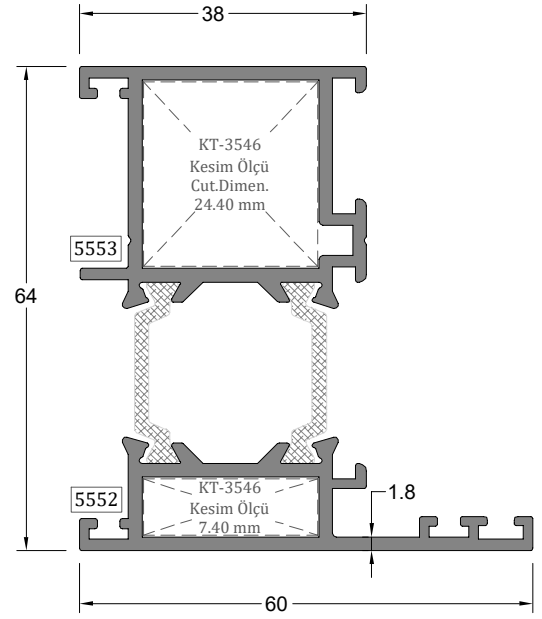
Kasa Profili	Profil Kodu	(kg/mt)	Jx cm <sup>4</sup>	Jy cm <sup>4</sup>
FRAME PROFILE	Profile Code	Weight		
	64-1704-1769	1,580	26,55	14,39



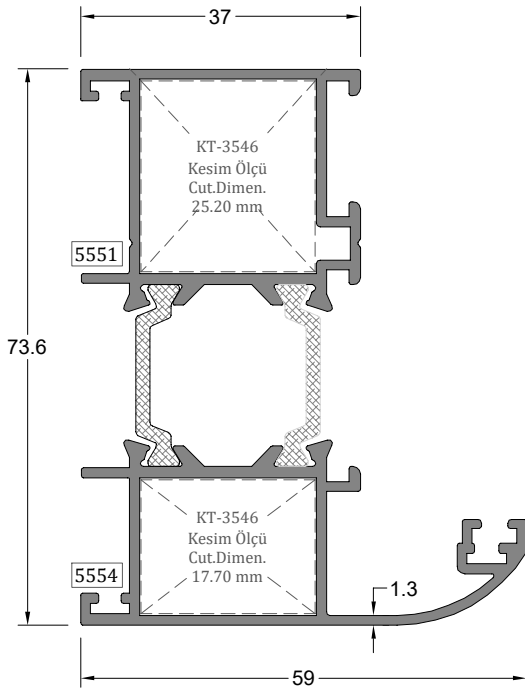
Kasa Profili	Profil Kodu	(kg/mt)	Jx cm <sup>4</sup>	Jy cm <sup>4</sup>
FRAME PROFILE	Profile Code	Weight		
	64-1706-1771	1,818	31,57	15,80



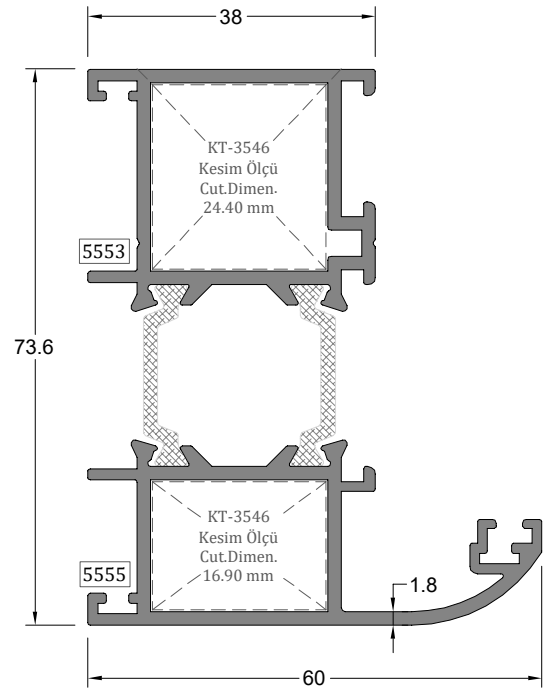
Kasa Profili FRAME PROFILE	Profil Kodu Profile Code	(kg/mt) Weight	Jx cm <sup>4</sup>	Jy cm <sup>4</sup>
	64-5551-5550	1,310	22,04	8,72



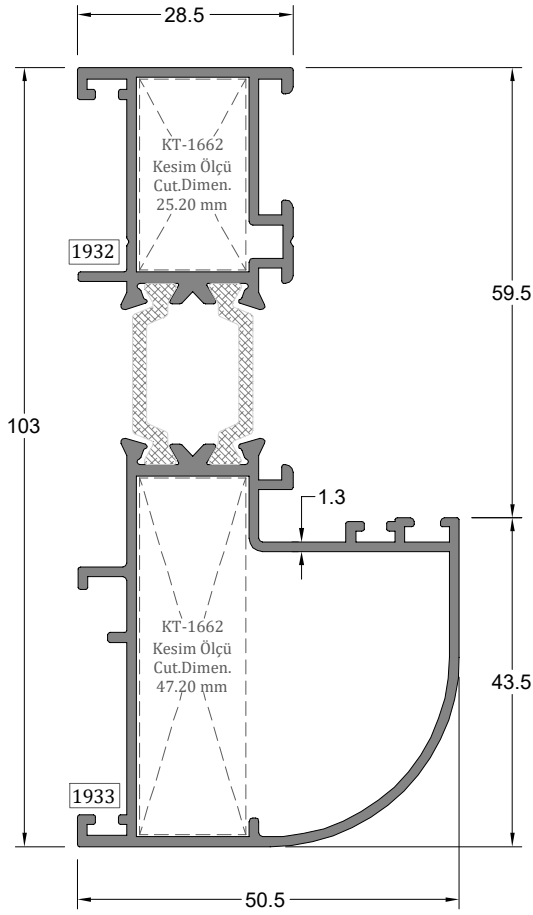
Kasa Profili FRAME PROFILE	Profil Kodu Profile Code	(kg/mt) Weight	Jx cm <sup>4</sup>	Jy cm <sup>4</sup>
	64-5553-5552	1,539	27,41	10,56



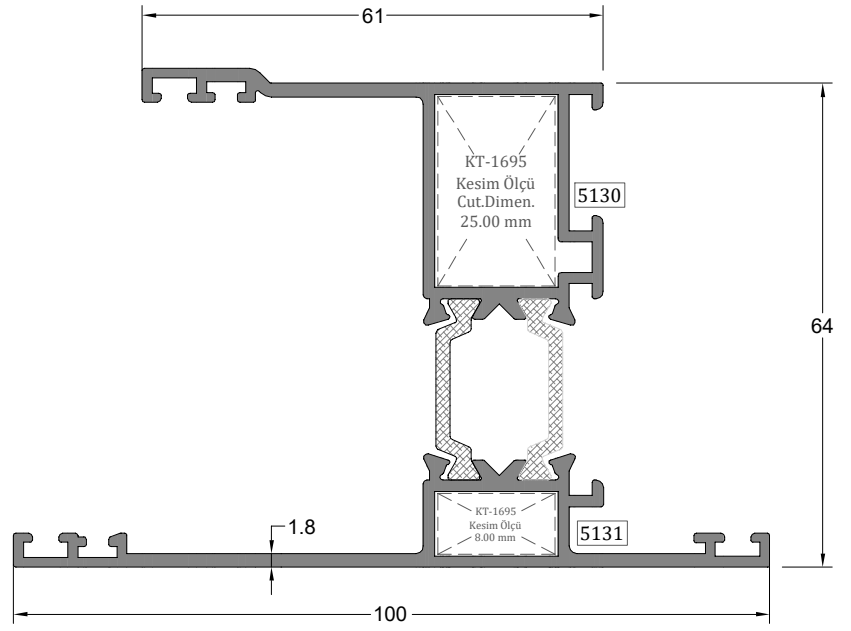
Kasa Profili FRAME PROFILE	Profil Kodu Profile Code	(kg/mt) Weight	Jx cm <sup>4</sup>	Jy cm <sup>4</sup>
	64-5551-5554	1,436	29,69	11,05



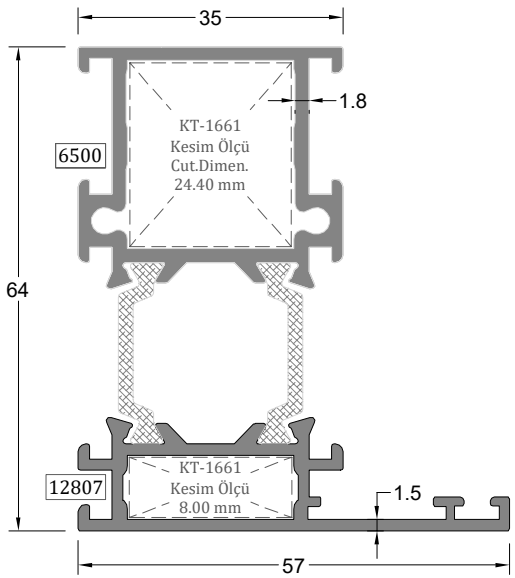
Kasa Profili FRAME PROFILE	Profil Kodu Profile Code	(kg/mt) Weight	Jx cm <sup>4</sup>	Jy cm <sup>4</sup>
	64-5553-5555	1,727	37,55	13,84



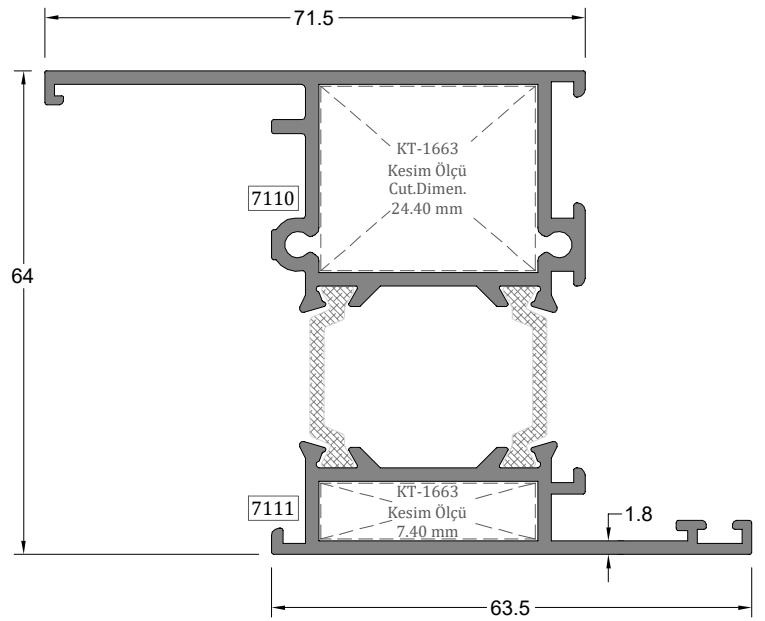
Kasa Profili	Profil Kodu	(kg/mt)	Jx cm <sup>4</sup>	Jy cm <sup>4</sup>
FRAME PROFILE	Profile Code	Weight		
	64-1932-1933	1,548	53,97	10,47



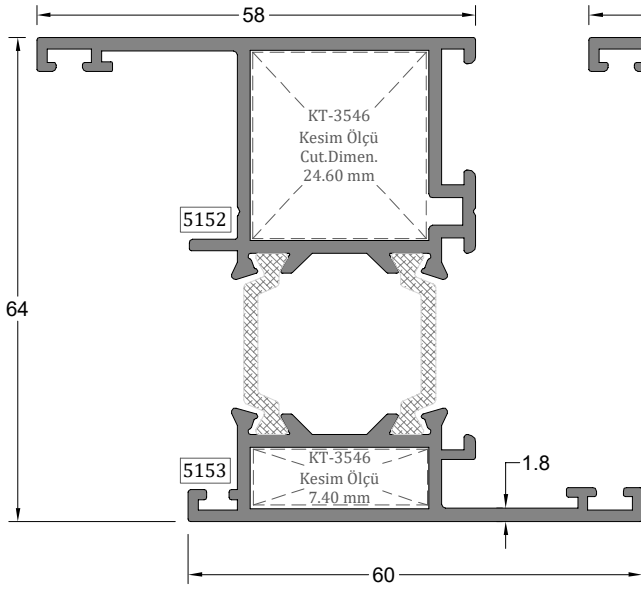
Kasa Profili	Profil Kodu	(kg/mt)	Jx cm <sup>4</sup>	Jy cm <sup>4</sup>
FRAME PROFILE	Profile Code	Weight		
	64-5130-5131	1,689	36,82	28,90



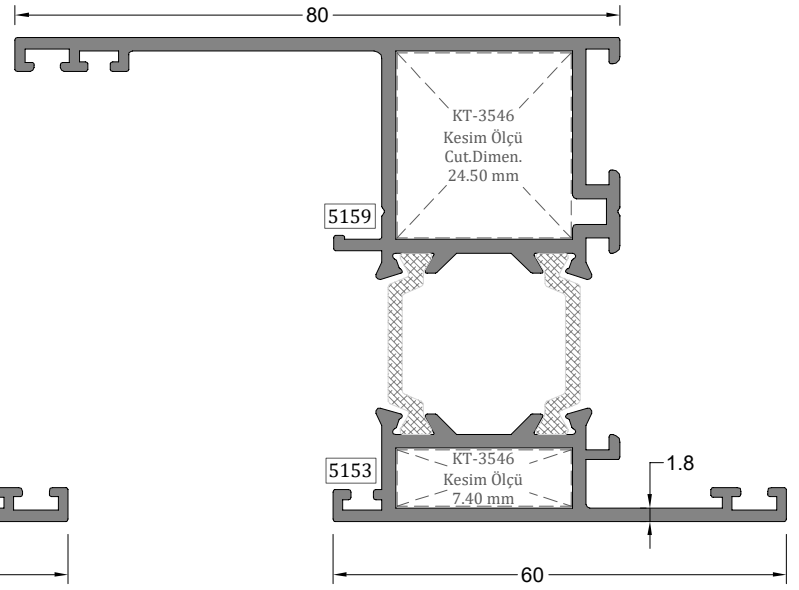
Kasa Profili	Profil Kodu	(kg/mt)	Jx cm <sup>4</sup>	Jy cm <sup>4</sup>
FRAME PROFILE	Profile Code	Weight		
	64-6500-12807	1,450	48,21	18,01



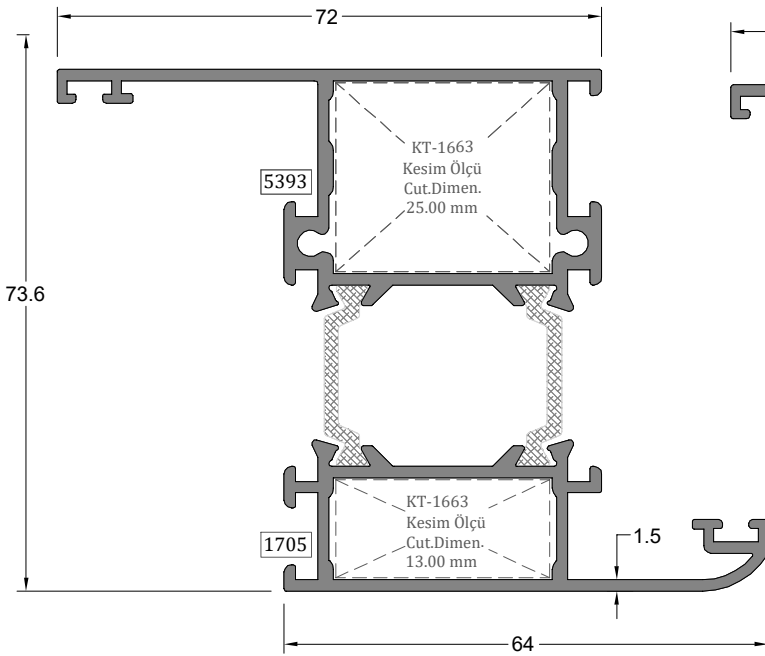
Z Kasa Profili	Profil Kodu	(kg/mt)	Jx cm <sup>4</sup>	Jy cm <sup>4</sup>
Z FRAME PROFILE	Profile Code	Weight		
	64-7110-7111	1,824	35,30	23,15



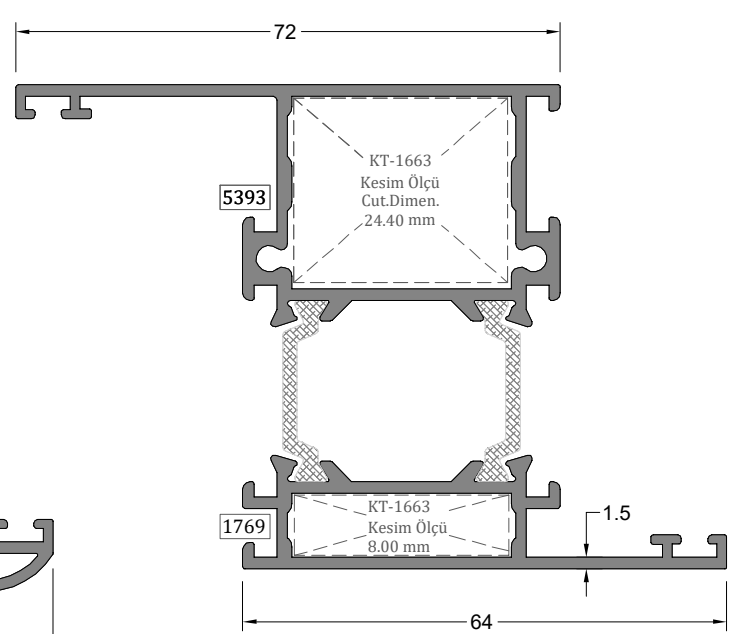
Z Kasa Profili	Profil Kodu	(kg/mt)	Jx cm <sup>4</sup>	Jy cm <sup>4</sup>
Z FRAME PROFILE	Profile Code	Weight		
	64-5152-5153	1,634	30,89	15,12



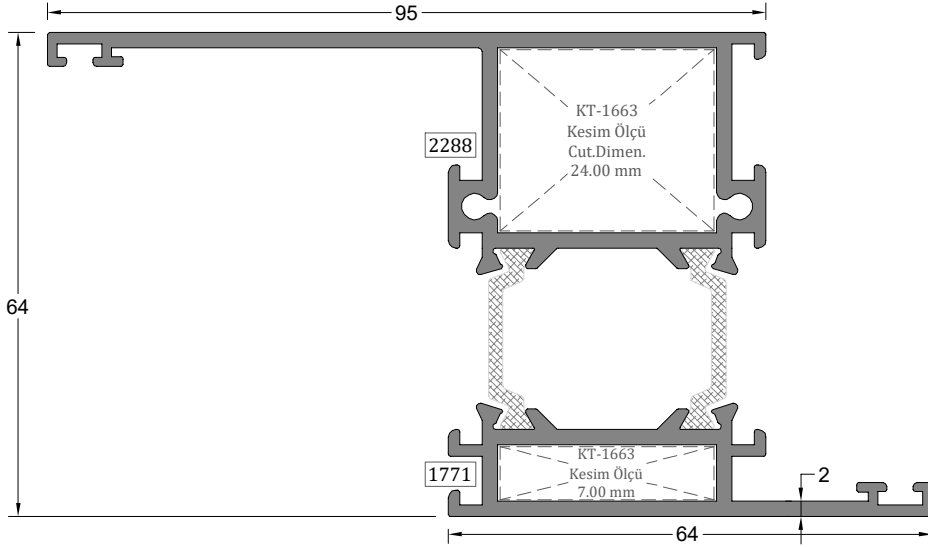
Z Kasa Profili	Profil Kodu	(kg/mt)	Jx cm <sup>4</sup>	Jy cm <sup>4</sup>
Z FRAME PROFILE	Profile Code	Weight		
	64-5159-5153	1,784	35,92	27,92



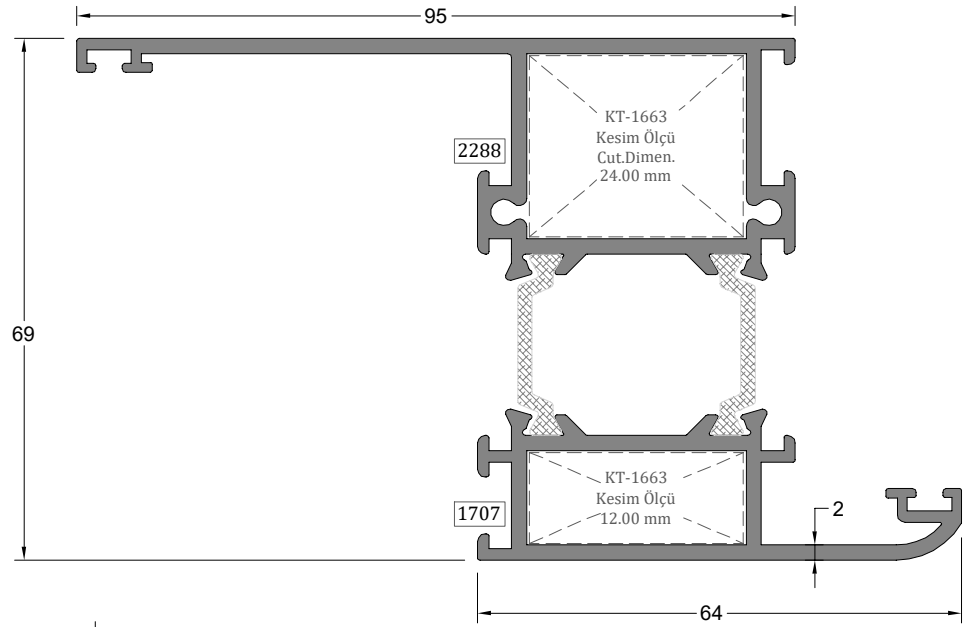
Z Kasa Profili	Profil Kodu	(kg/mt)	Jx cm <sup>4</sup>	Jy cm <sup>4</sup>
Z FRAME PROFILE	Profile Code	Weight		
	64-5393-1705	1,811	38,28	25,99



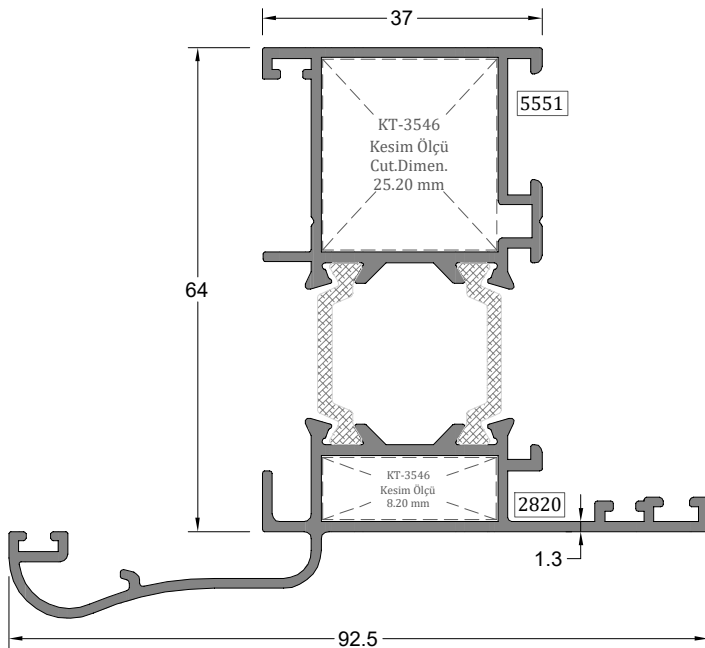
Z Kasa Profili	Profil Kodu	(kg/mt)	Jx cm <sup>4</sup>	Jy cm <sup>4</sup>
Z FRAME PROFILE	Profile Code	Weight		
	64-5393-1769	1,730	32,38	23,43



Z Kasa Profili	Profil Kodu	(kg/mt)	Jx cm <sup>4</sup>	Jy cm <sup>4</sup>
Z FRAME PROFILE	Profile Code	Weight		
	64-2288-1771	2,127	42,93	44,39

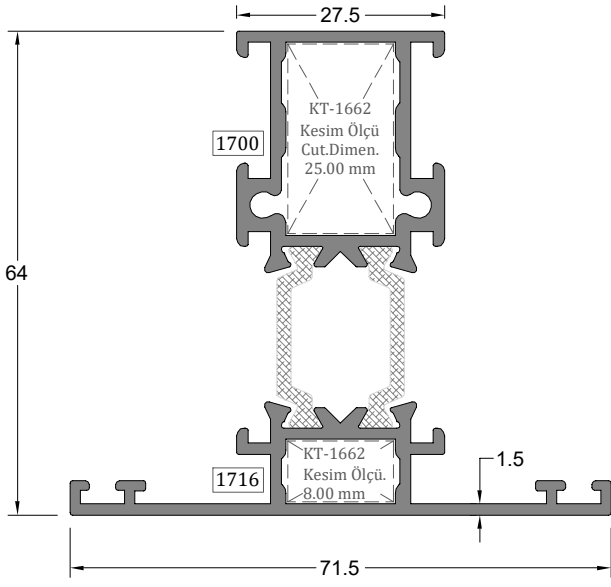


Z Kasa Profili	Profil Kodu	(kg/mt)	Jx cm <sup>4</sup>	Jy cm <sup>4</sup>
Z FRAME PROFILE	Profile Code	Weight		
	64-2288-1707	2,235	51,22	48,24

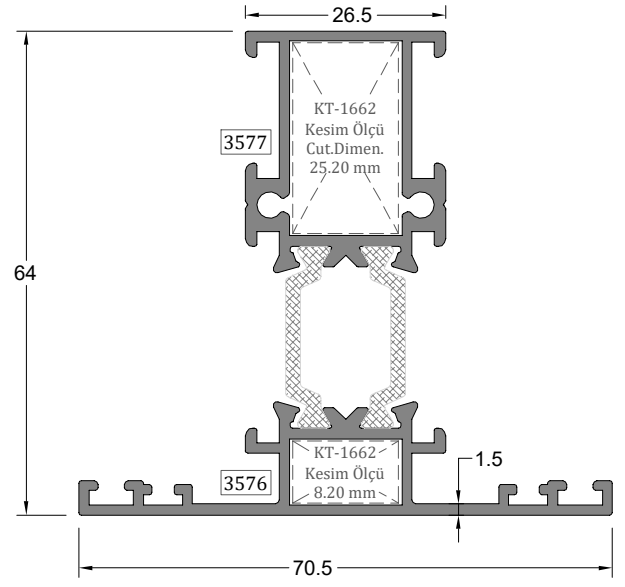


Pervazlı Kasa Profili	Profil Kodu	(kg/mt)	Jx cm <sup>4</sup>	Jy cm <sup>4</sup>
SILL FRAME PROFILE	Profile Code	Weight		
	64-2820-5551	1,554	30,39	21,47

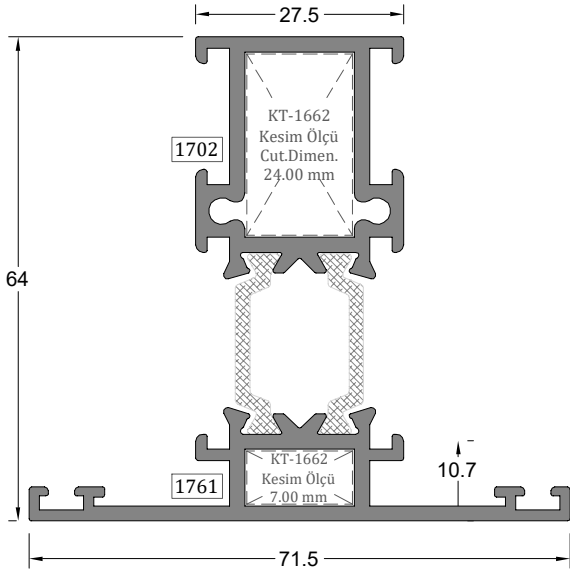
\*\* Her profil için minimum sipariş 300 kg'dır.  
\*\* Minimum order quantity is 300 kg per profile.



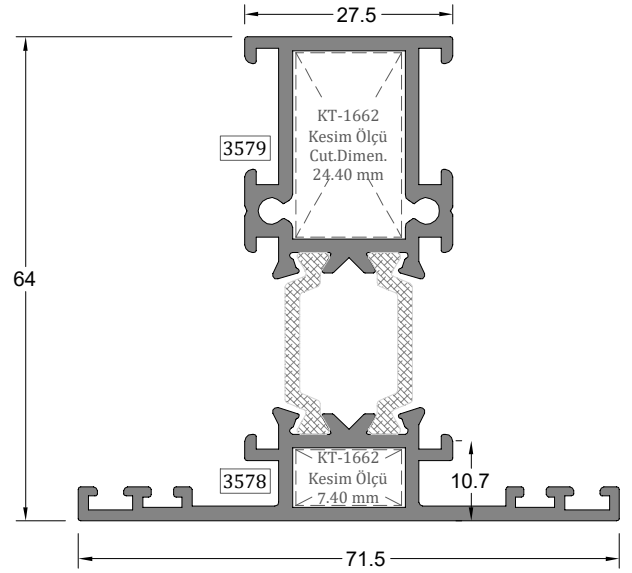
Orta Kayıt Profili MULLION PROFILE	Profil Kodu Profile Code	(kg/mt) Weight	Jx cm <sup>4</sup>	Jy cm <sup>4</sup>
	64-1700-1716	1,457	24,29	9,55



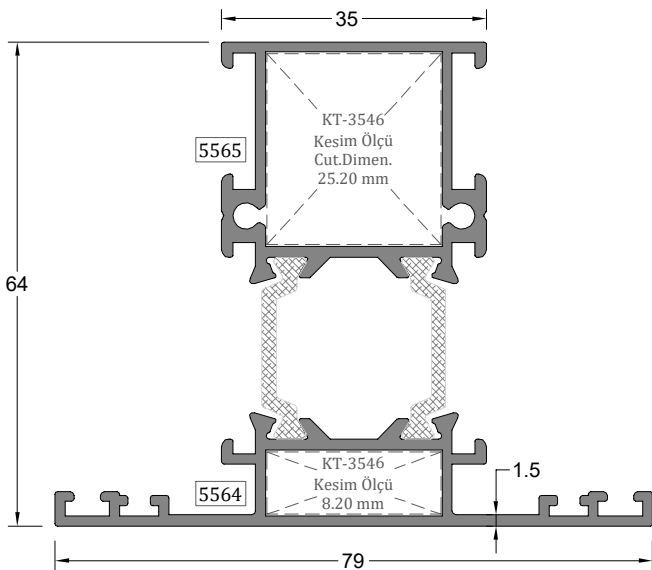
Orta Kayıt Profili MULLION PROFILE	Profil Kodu Profile Code	(kg/mt) Weight	Jx cm <sup>4</sup>	Jy cm <sup>4</sup>
	64-3577-3576	1,356	21,97	8,84



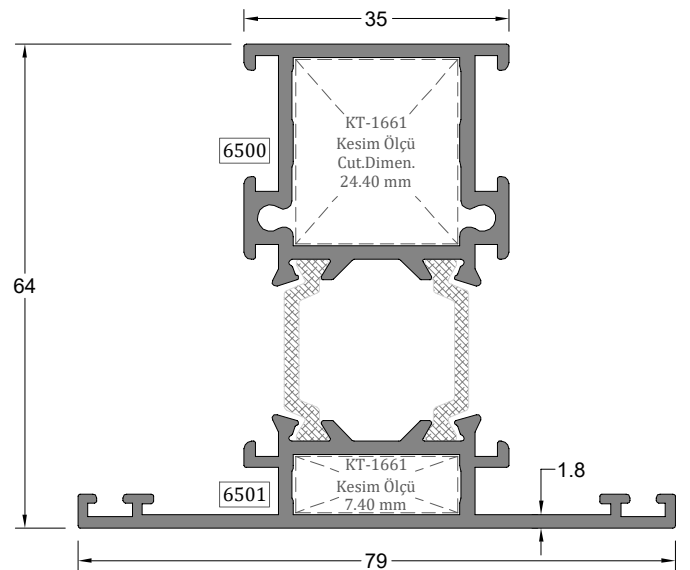
Orta Kayıt Profili MULLION PROFILE	Profil Kodu Profile Code	(kg/mt) Weight	Jx cm <sup>4</sup>	Jy cm <sup>4</sup>
	64-1702-1761	1,640	28,17	10,35



Orta Kayıt Profili MULLION PROFILE	Profil Kodu Profile Code	(kg/mt) Weight	Jx cm <sup>4</sup>	Jy cm <sup>4</sup>
	64-3579-3578	1,588	27,07	10,50

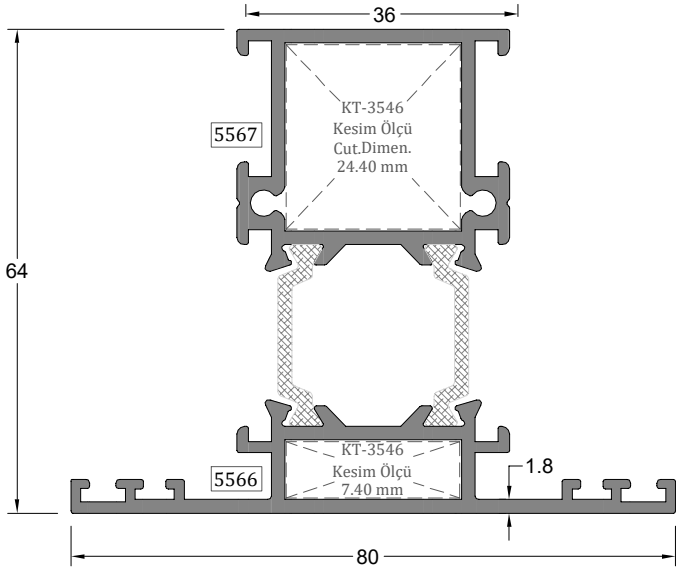


Orta Kayıt Profili MULLION PROFILE	Profil Kodu Profile Code	(kg/mt) Weight	Jx cm <sup>4</sup>	Jy cm <sup>4</sup>
	64-5565-5564	1,481	24,70	13,89

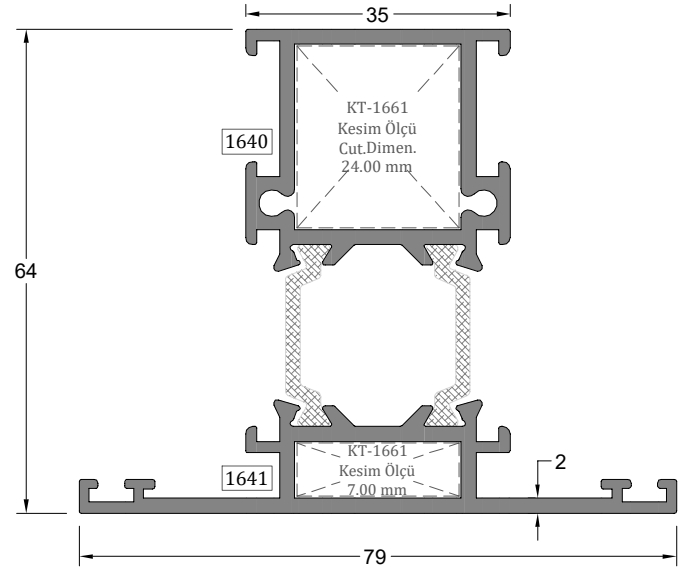


Orta Kayıt Profili MULLION PROFILE	Profil Kodu Profile Code	(kg/mt) Weight	Jx cm <sup>4</sup>	Jy cm <sup>4</sup>
	64-6500-6501	1,714	29,86	15,09

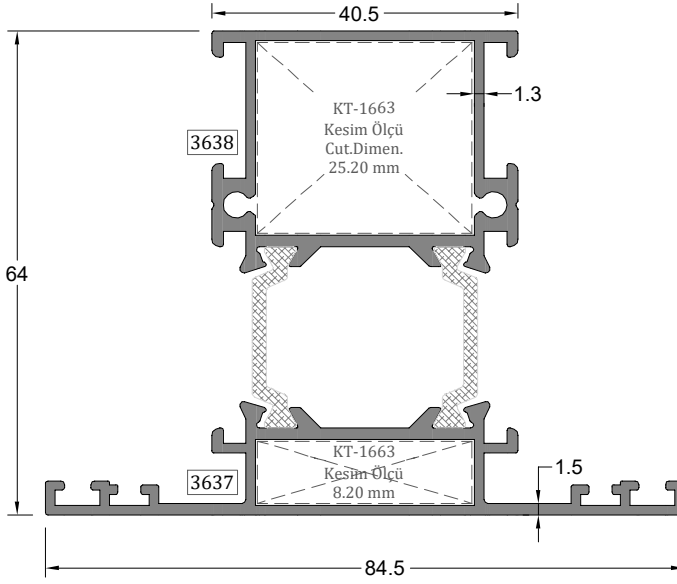
\*\* Her profil için minimum sipariş 300 kg'dır.  
\*\* Minimum order quantity is 300 kg per profile.



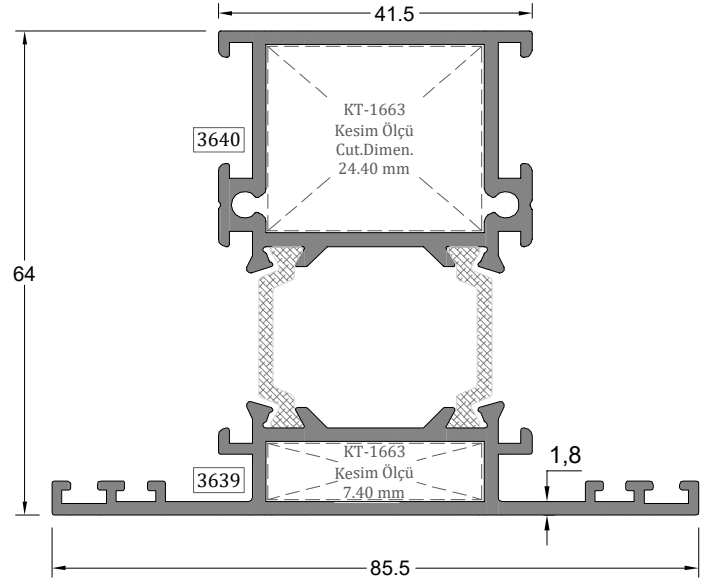
Orta Kayıt Profili	Profil Kodu	(kg/mt)	Jx cm <sup>4</sup>	Jy cm <sup>4</sup>
MULLION PROFILE	Profile Code	Weight		
	64-5567-5566	1,733	30,44	16,38



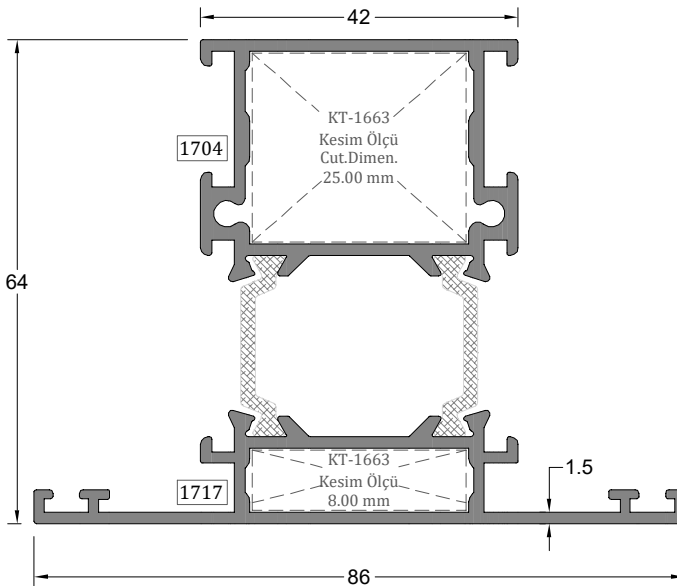
Orta Kayıt Profili	Profil Kodu	(kg/mt)	Jx cm <sup>4</sup>	Jy cm <sup>4</sup>
MULLION PROFILE	Profile Code	Weight		
	64-1640-1641	1,805	31,75	15,65



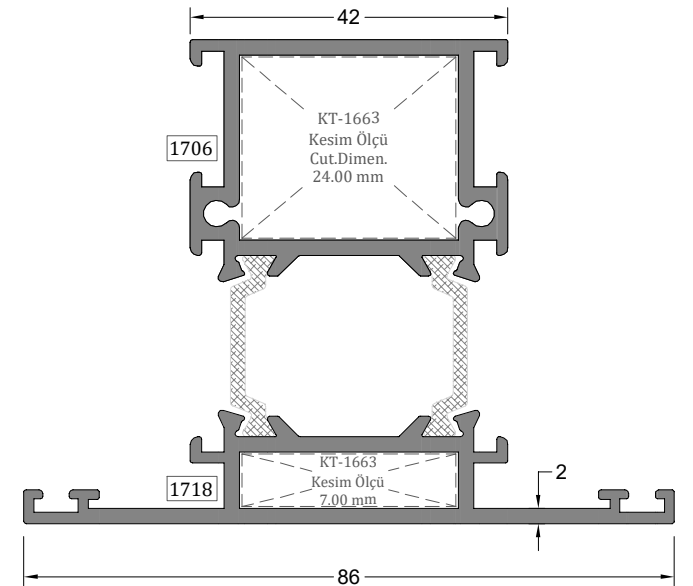
Orta Kayıt Profili	Profil Kodu	(kg/mt)	Jx cm <sup>4</sup>	Jy cm <sup>4</sup>
MULLION PROFILE	Profile Code	Weight		
	64-3638-3637	1,576	26,44	18,08



Orta Kayıt Profili	Profil Kodu	(kg/mt)	Jx cm <sup>4</sup>	Jy cm <sup>4</sup>
MULLION PROFILE	Profile Code	Weight		
	64-3640-3639	1,852	32,77	21,34

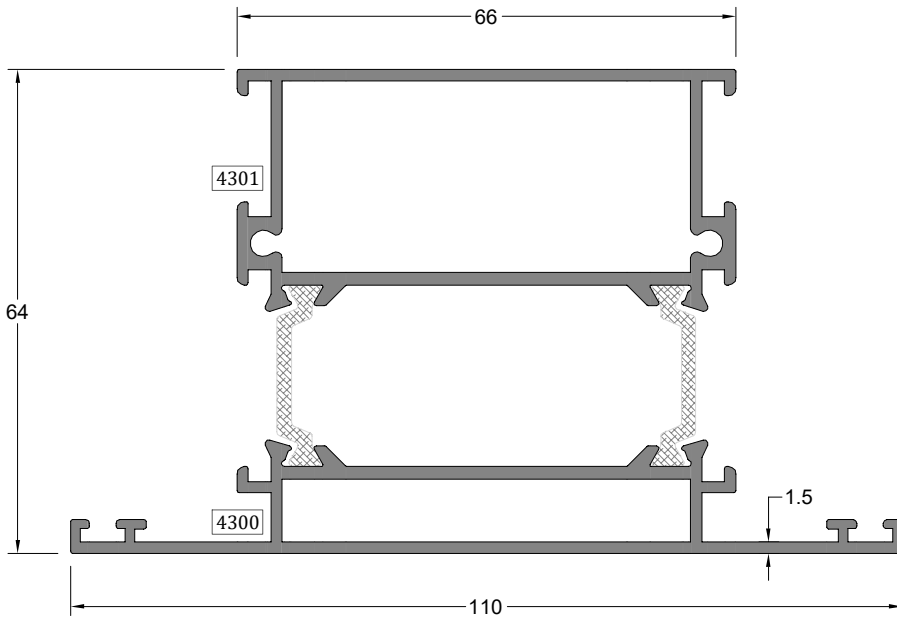


Orta Kayıt Profili	Profil Kodu	(kg/mt)	Jx cm <sup>4</sup>	Jy cm <sup>4</sup>
MULLION PROFILE	Profile Code	Weight		
	64-1704-1717	1,695	29,44	20,01

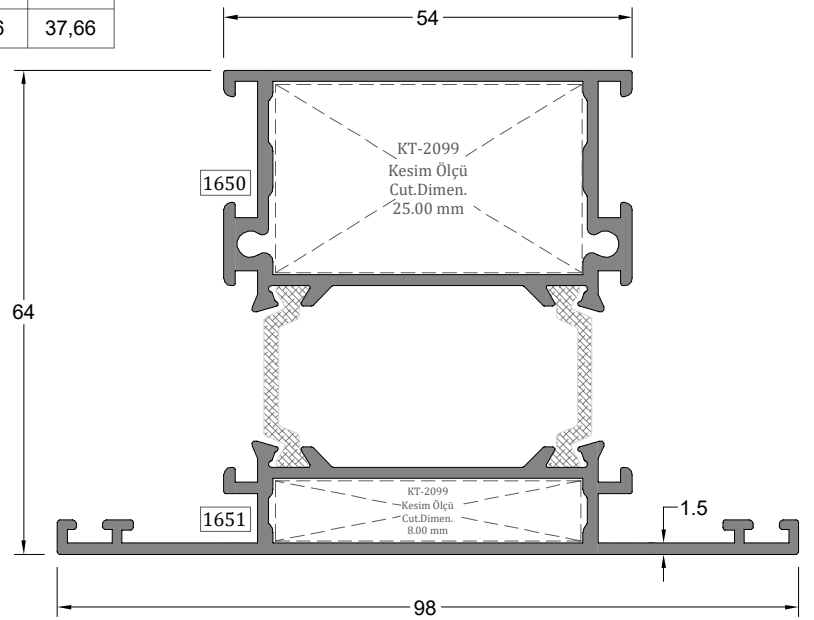


Orta Kayıt Profili	Profil Kodu	(kg/mt)	Jx cm <sup>4</sup>	Jy cm <sup>4</sup>
MULLION PROFILE	Profile Code	Weight		
	64-1706-1718	1,958	35,03	22,09

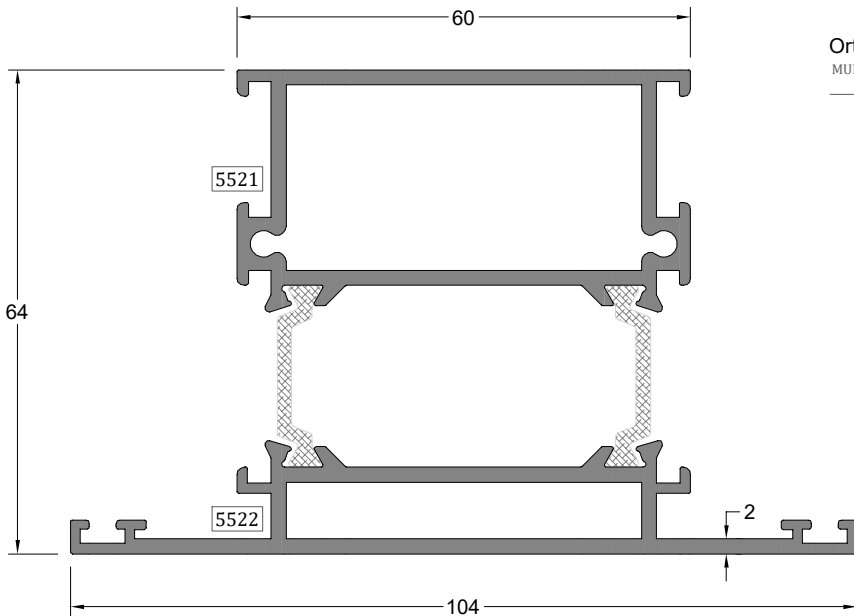
\*\* Her profil için minimum sipariş 300 kg'dır.  
\*\* Minimum order quantity is 300 kg per profile.



Orta Kayıt Profili MULLION PROFILE	Profil Kodu Profile Code	(kg/mt) Weight	Jx cm <sup>4</sup>	Jy cm <sup>4</sup>
	64-4301-4300	2,111	50,36	37,66



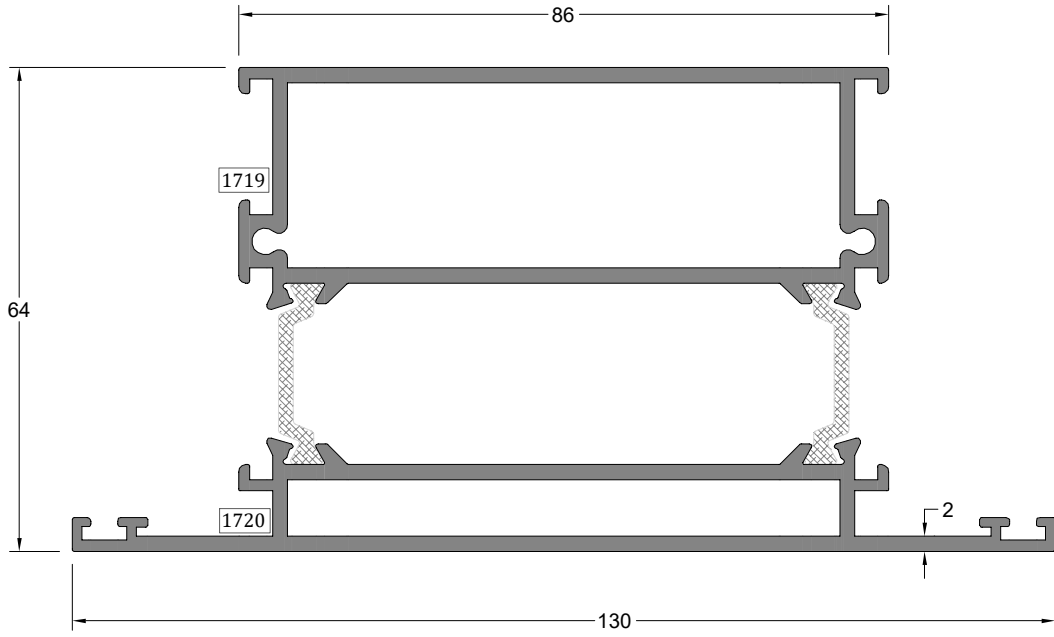
Orta Kayıt Profili MULLION PROFILE	Profil Kodu Profile Code	(kg/mt) Weight	Jx cm <sup>4</sup>	Jy cm <sup>4</sup>
	64-1650-1651	1,865	33,68	33,08



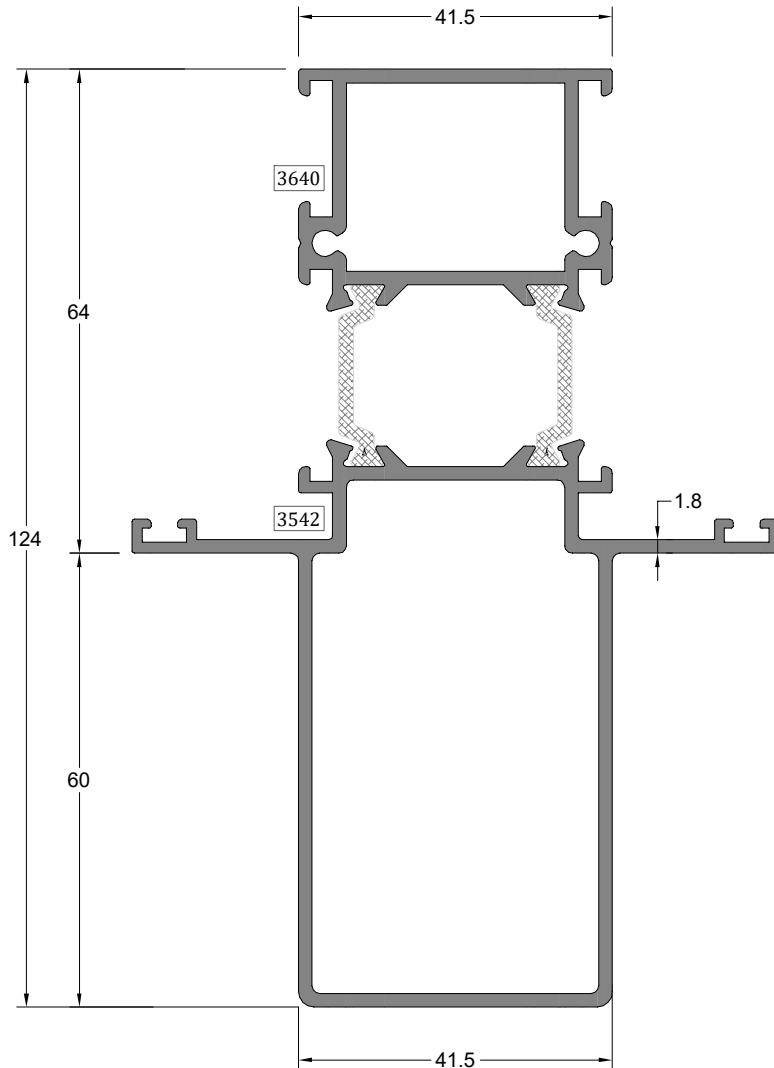
Orta Kayıt Profili MULLION PROFILE	Profil Kodu Profile Code	(kg/mt) Weight	Jx cm <sup>4</sup>	Jy cm <sup>4</sup>
	64-5521-5522	2,342	43,31	45,92

\*\* Her profil için minimum sipariş 300 kg'dır.  
\*\* Minimum order quantity is 300 kg per profile.



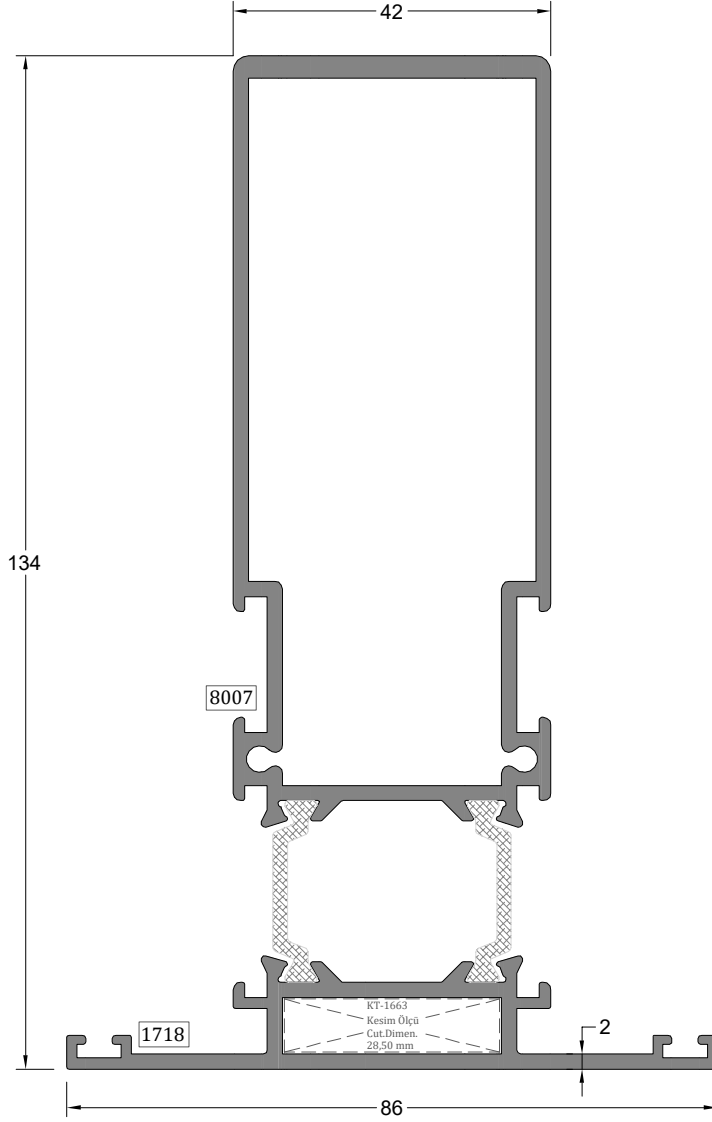


Orta Kayıt Profili MULLION PROFILE	Profil Kodu Profile Code	(kg/mt) Weight	Jx cm <sup>4</sup>	Jy cm <sup>4</sup>
	64-1719-1720	2,893	104,75	55,58

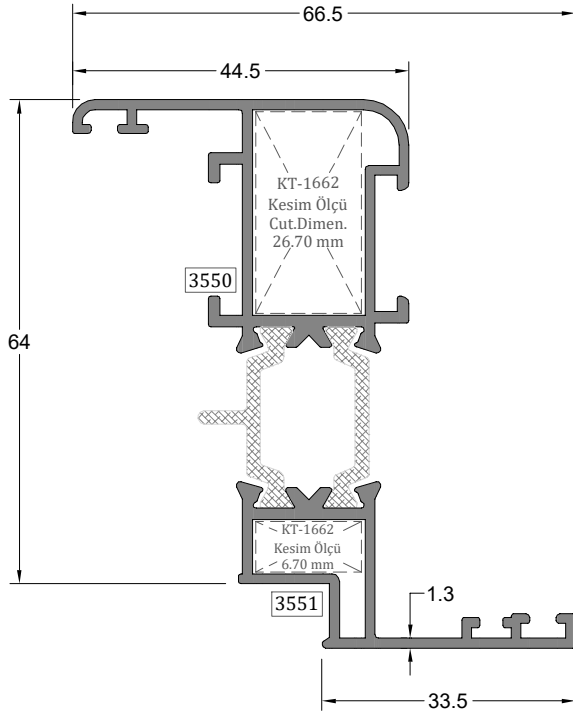


Takviyeli Orta Kayıt Profili REINFORCED MULLION PROFILE	Profil Kodu Profile Code	(kg/mt) Weight	Jx cm <sup>4</sup>	Jy cm <sup>4</sup>
	64-3640-3542	2,446	119,69	29,17

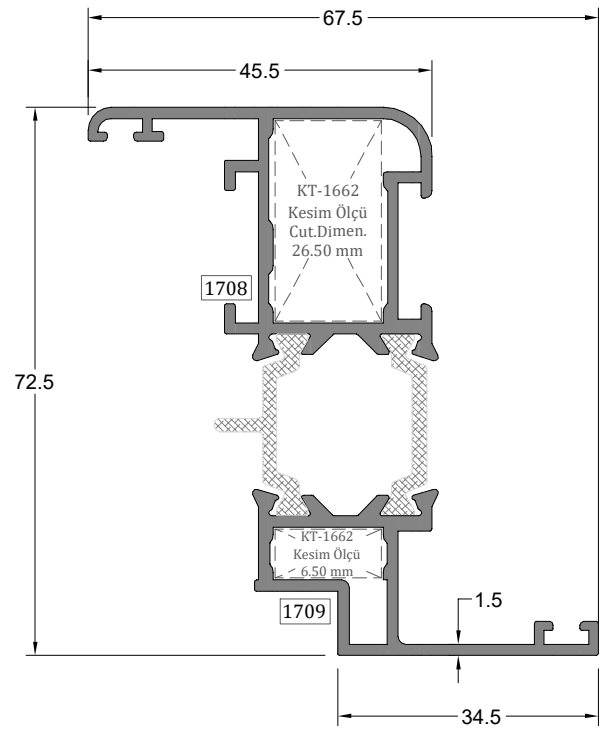
\*\* Her profil için minimum sipariş 300 kg'dır.  
\*\* Minimum order quantity is 300 kg per profile.



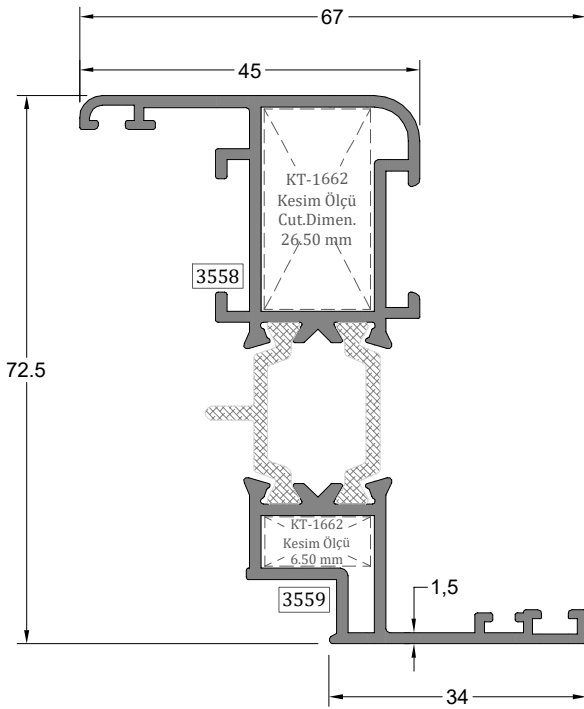
Takviyeli Orta Kayıt Profili REINFORCED MULLION PROFILE	Profil Kodu Profile Code	(kg/mt) Weight	Jx cm <sup>4</sup>	Jy cm <sup>4</sup>
	64-1718-8007	2,786	233,34	36,11



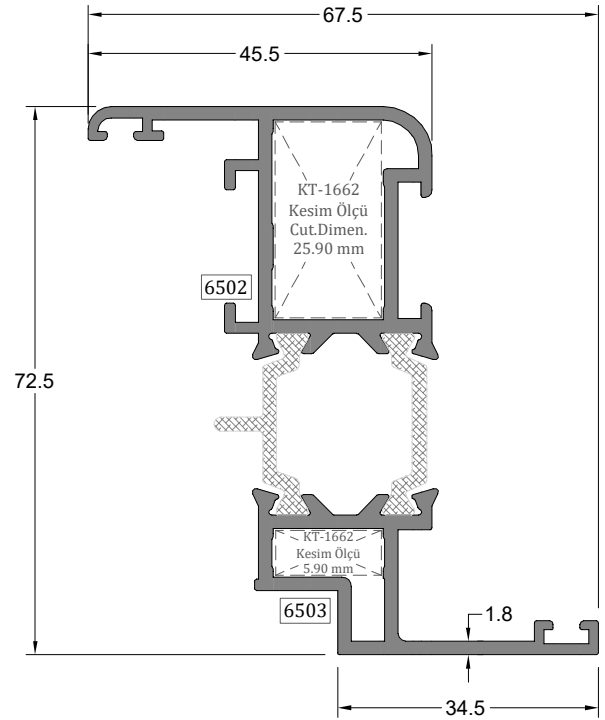
Kanat Profili	Profil Kodu	(kg/mt)	Jx cm <sup>4</sup>	Jy cm <sup>4</sup>
SASH PROFILE	Profile Code	Weight		
	64-3550-3551	1,290	26,69	7,00



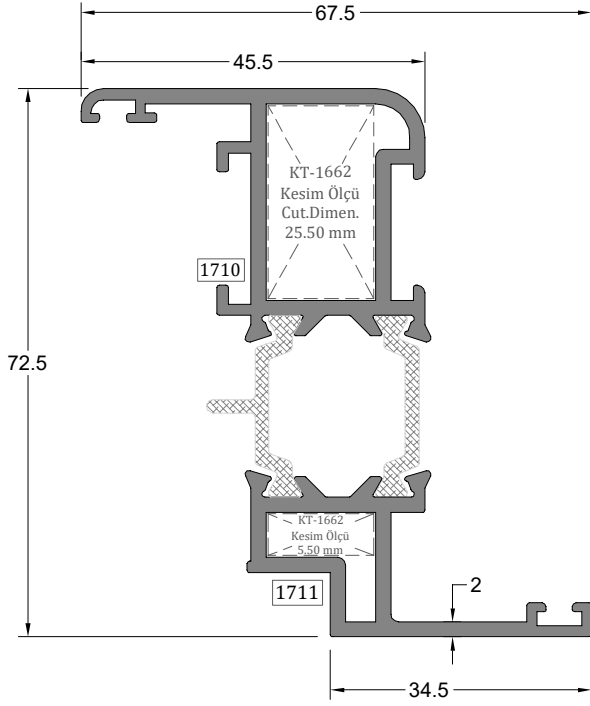
Kanat Profili	Profil Kodu	(kg/mt)	Jx cm <sup>4</sup>	Jy cm <sup>4</sup>
SASH PROFILE	Profile Code	Weight		
	64-1708-1709	1,422	29,91	8,00



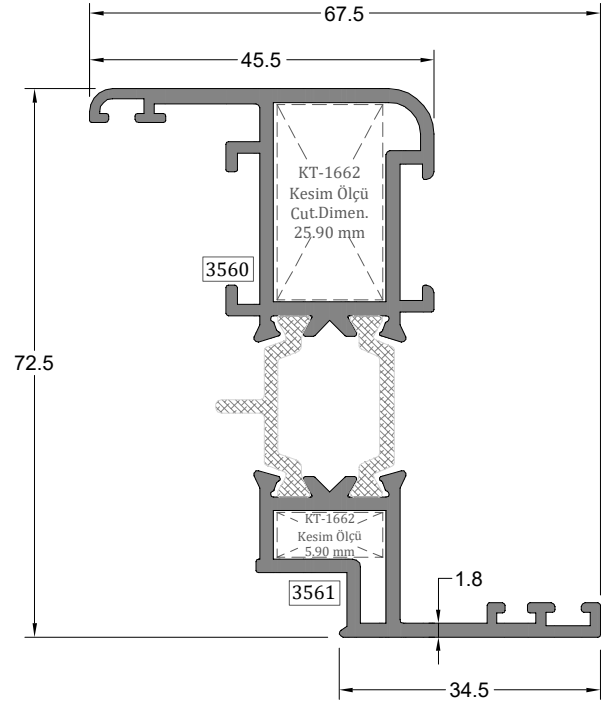
Kanat Profili	Profil Kodu	(kg/mt)	Jx cm <sup>4</sup>	Jy cm <sup>4</sup>
SASH PROFILE	Profile Code	Weight		
	64-3558-3559	1,375	29,46	7,51



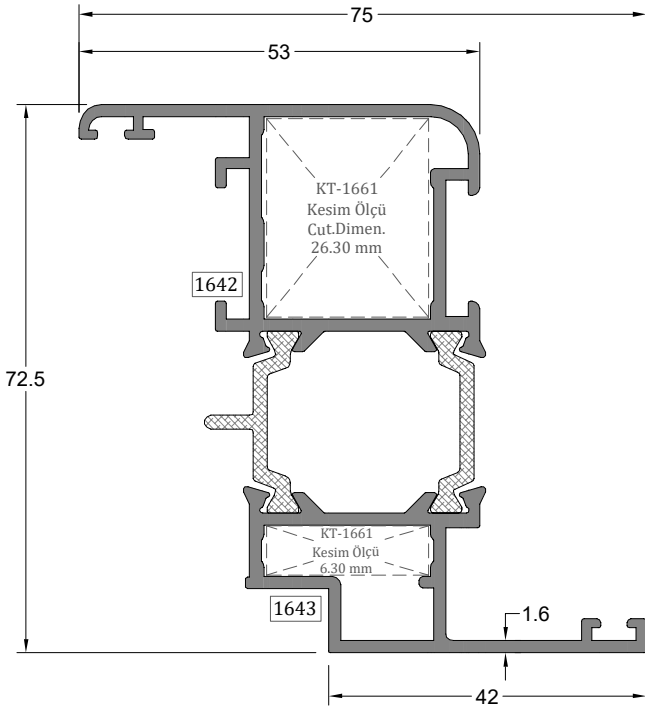
Kanat Profili	Profil Kodu	(kg/mt)	Jx cm <sup>4</sup>	Jy cm <sup>4</sup>
SASH PROFILE	Profile Code	Weight		
	64-6502-6503	1,572	33,64	8,47



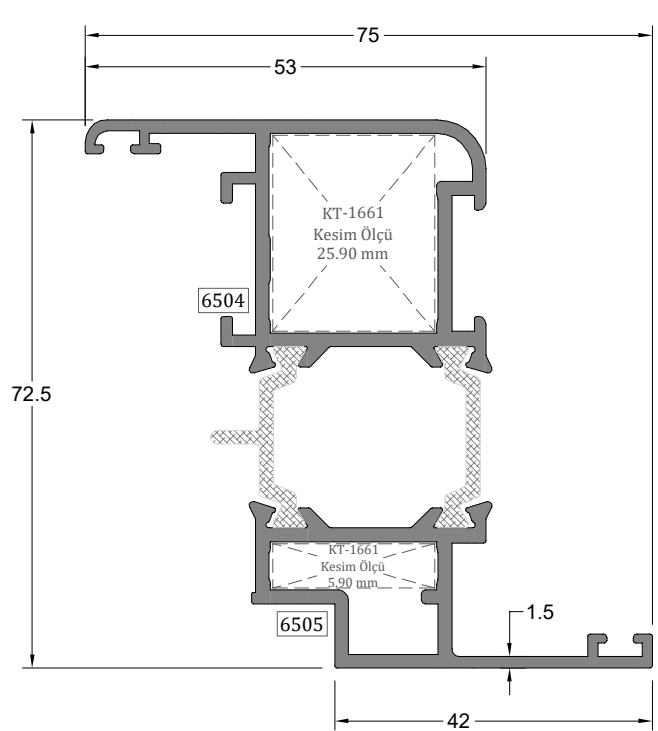
Kanat Profili	Profil Kodu	(kg/mt)	Jx cm <sup>4</sup>	Jy cm <sup>4</sup>
SASH PROFILE	Profile Code	Weight		
	64-1710-1711	1,646	36,05	8,77



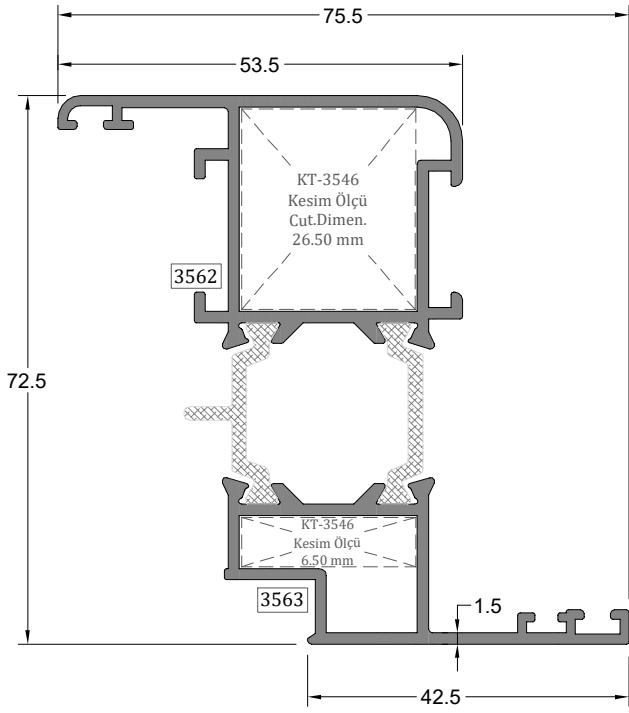
Kanat Profili	Profil Kodu	(kg/mt)	Jx cm <sup>4</sup>	Jy cm <sup>4</sup>
SASH PROFILE	Profile Code	Weight		
	64-3560-3561	1,550	34,09	8,46



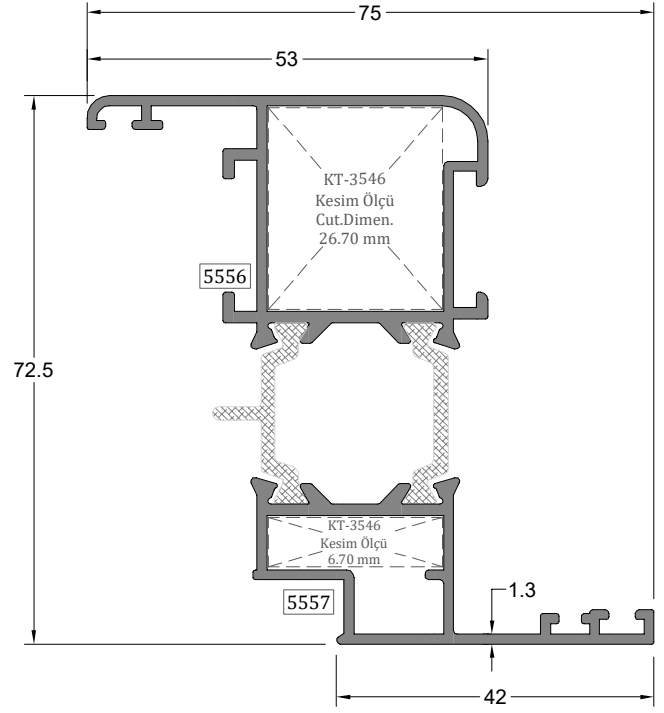
Kanat Profili	Profil Kodu	(kg/mt)	Jx cm <sup>4</sup>	Jy cm <sup>4</sup>
SASH PROFILE	Profile Code	Weight		
	64-1642-1643	1,613	35,05	12,74



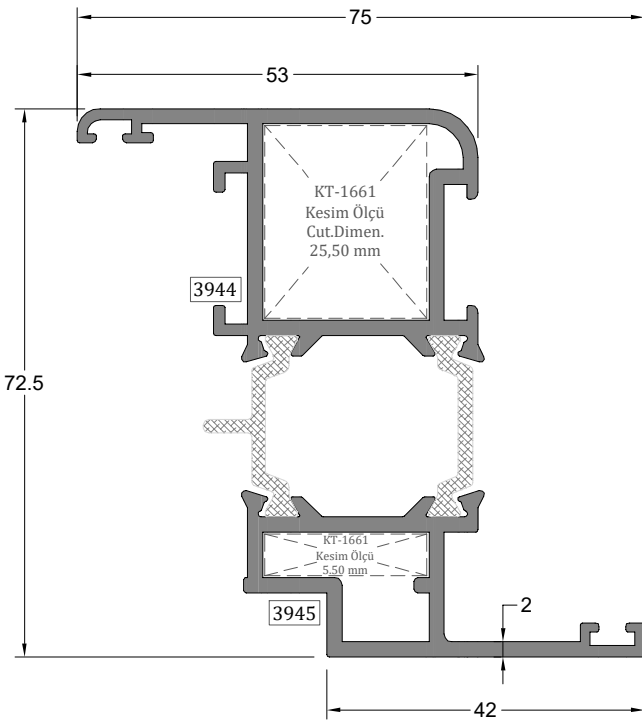
Kanat Profili	Profil Kodu	(kg/mt)	Jx cm <sup>4</sup>	Jy cm <sup>4</sup>
SASH PROFILE	Profile Code	Weight		
	64-6504-6505	1,700	37,20	12,90



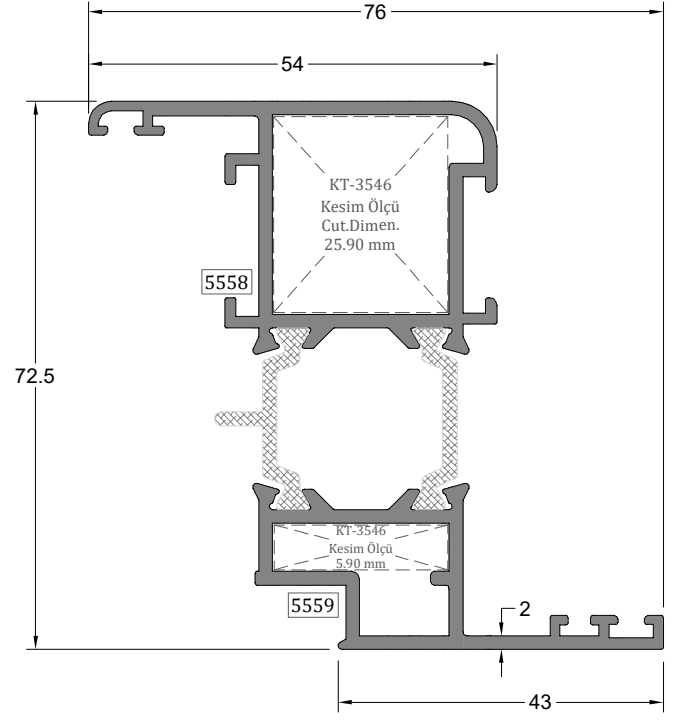
Kanat Profili	Profil Kodu	(kg/mt)	Jx cm <sup>4</sup>	Jy cm <sup>4</sup>
SASH PROFILE	Profile Code	Weight		
	64-3562-3563	1,514	33,23	12,11



Kanat Profili	Profil Kodu	(kg/mt)	Jx cm <sup>4</sup>	Jy cm <sup>4</sup>
SASH PROFILE	Profile Code	Weight		
	64-5556-5557	1,423	30,29	11,27

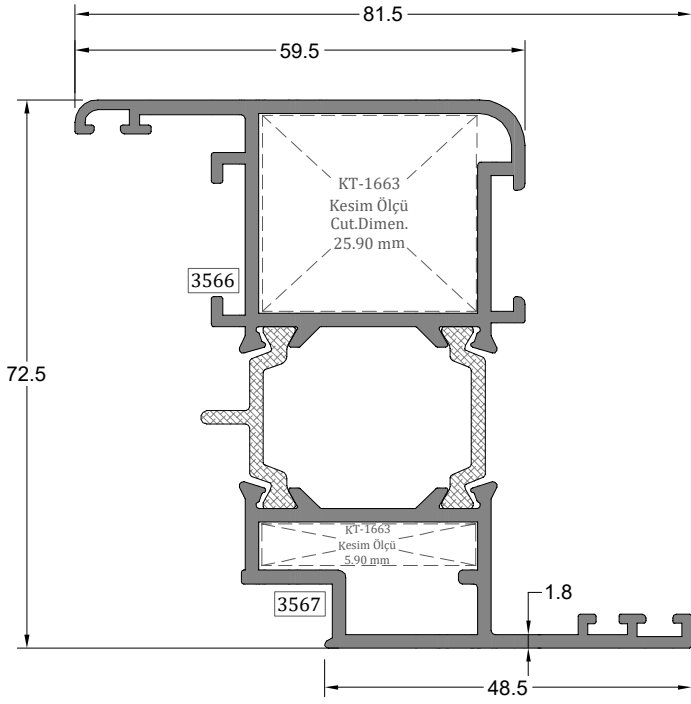


Kanat Profili	Profil Kodu	(kg/mt)	Jx cm <sup>4</sup>	Jy cm <sup>4</sup>
SASH PROFILE	Profile Code	Weight		
	64-3944-3945	1,823	40,73	13,68

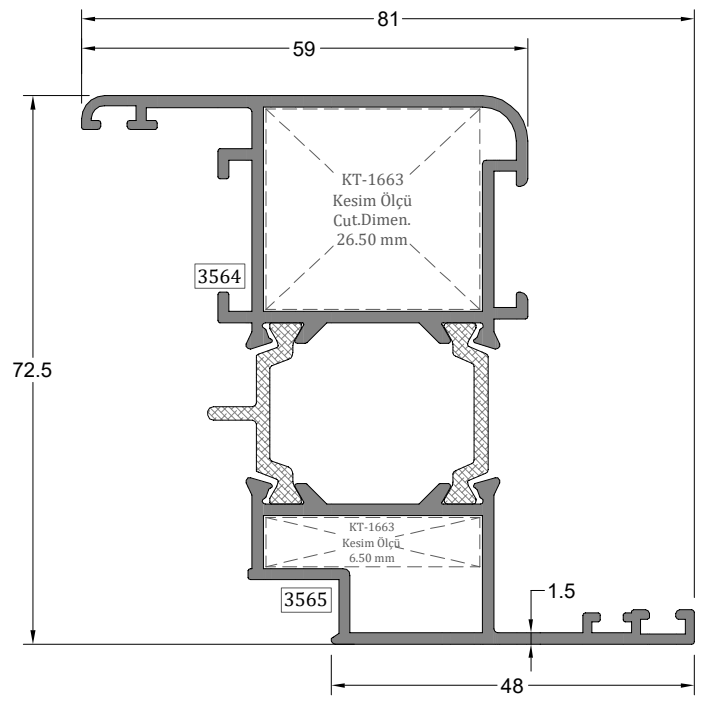


Kanat Profili	Profil Kodu	(kg/mt)	Jx cm <sup>4</sup>	Jy cm <sup>4</sup>
SASH PROFILE	Profile Code	Weight		
	64-5558-5559	1,723	38,90	13,76

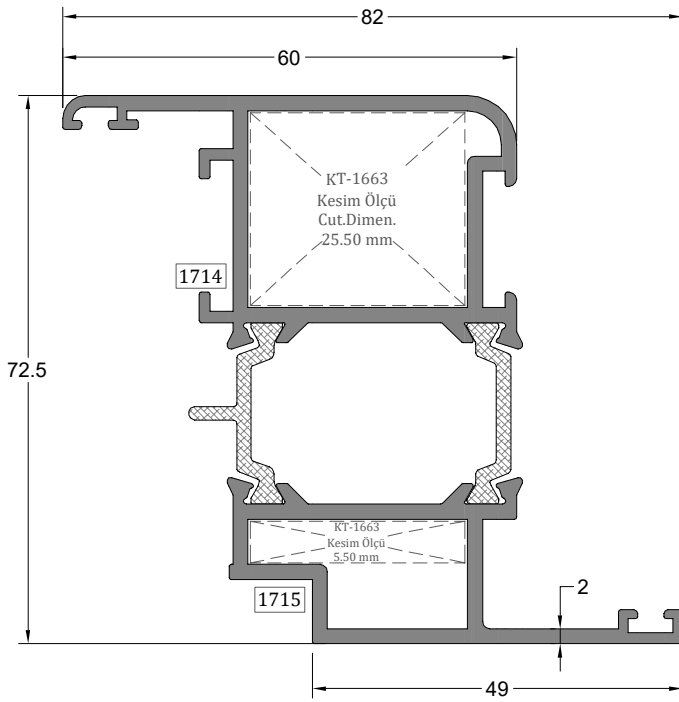
\*\* Her profil için minimum sipariş 300 kg'dır.  
\*\* Minimum order quantity is 300 kg per profile.



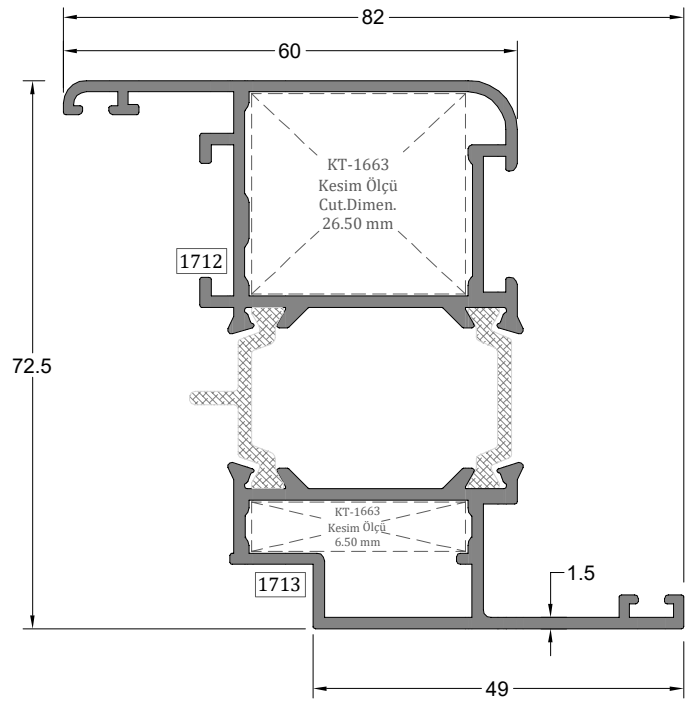
Kanat Profili	Profil Kodu Profile Code	(kg/mt) Weight	Jx cm <sup>4</sup>	Jy cm <sup>4</sup>
SASH PROFILE	64-3566-3567	1,830	41,78	18,25



Kanat Profili	Profil Kodu Profile Code	(kg/mt) Weight	Jx cm <sup>4</sup>	Jy cm <sup>4</sup>
SASH PROFILE	64-3564-3565	1,608	35,65	16,02

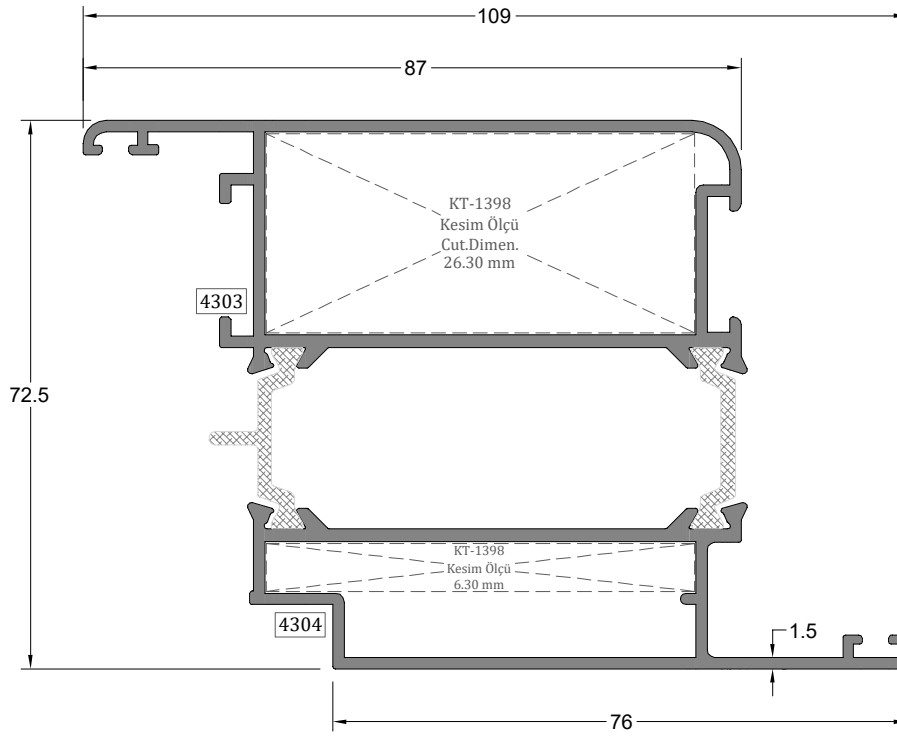


Kanat Profili	Profil Kodu Profile Code	(kg/mt) Weight	Jx cm <sup>4</sup>	Jy cm <sup>4</sup>
SASH PROFILE	64-1714-1715	1,961	44,50	19,70

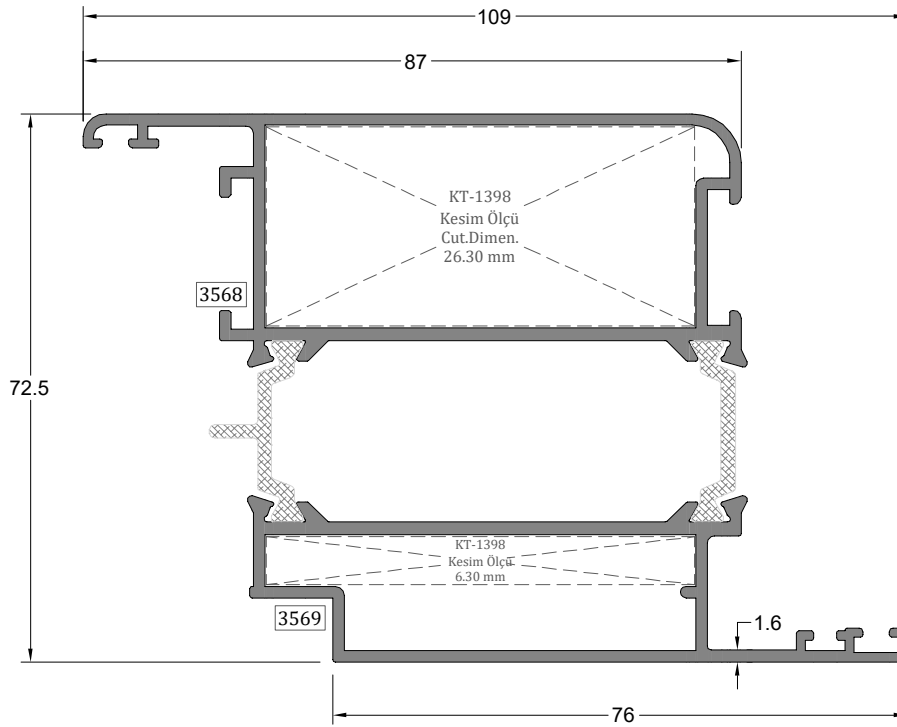


Kanat Profili	Profil Kodu Profile Code	(kg/mt) Weight	Jx cm <sup>4</sup>	Jy cm <sup>4</sup>
SASH PROFILE	64-1712-1713	1,666	36,49	17,56

\*\* Her profil için minimum sipariş 300 kg'dır.  
\*\* Minimum order quantity is 300 kg per profile.

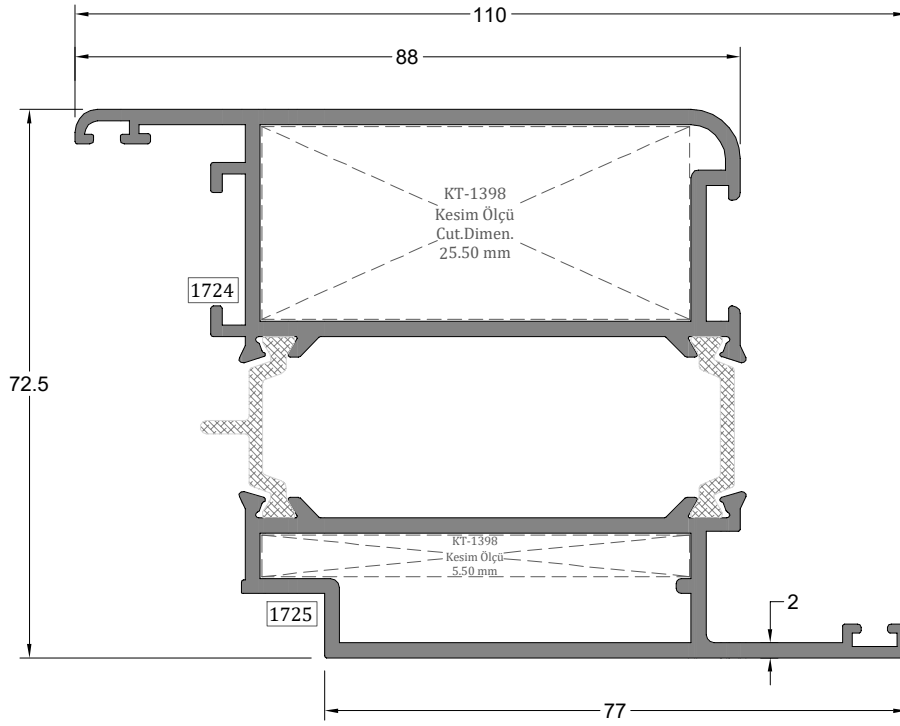


Kanat Profili	Profil Kodu	(kg/mt)	Jx cm <sup>4</sup>	Jy cm <sup>4</sup>
SASH PROFILE	Profile Code	Weight		
	64-4303-4304	2,143	48,33	51,09

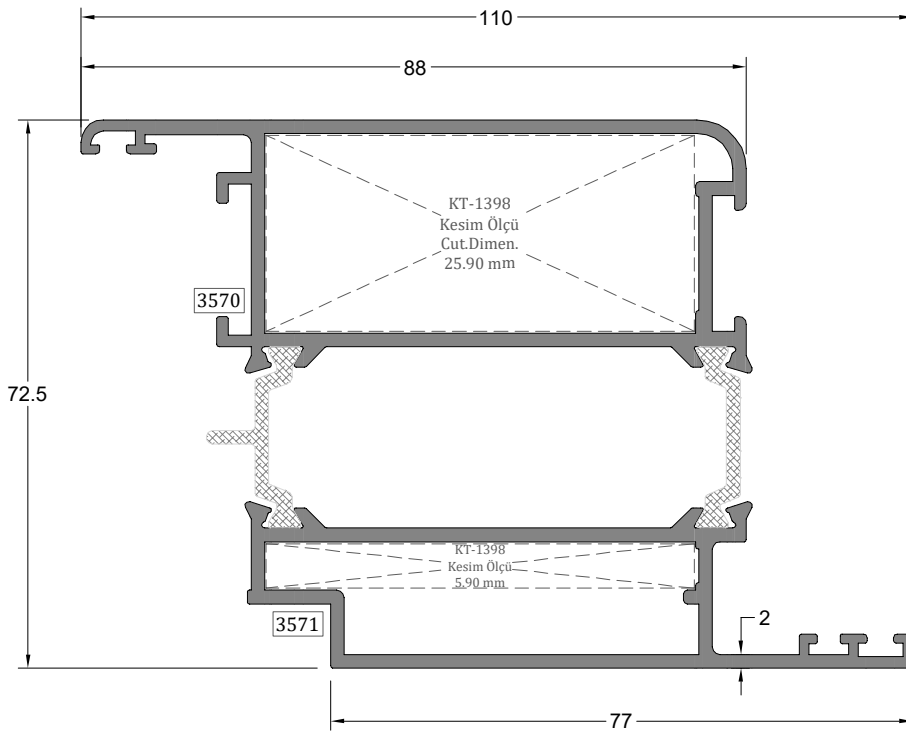


Kanat Profili	Profil Kodu	(kg/mt)	Jx cm <sup>4</sup>	Jy cm <sup>4</sup>
SASH PROFILE	Profile Code	Weight		
	64-3568-3569	2,158	49,02	51,97

\*\* Her profil için minimum sipariş 300 kg'dır.  
\*\* Minimum order quantity is 300 kg per profile.

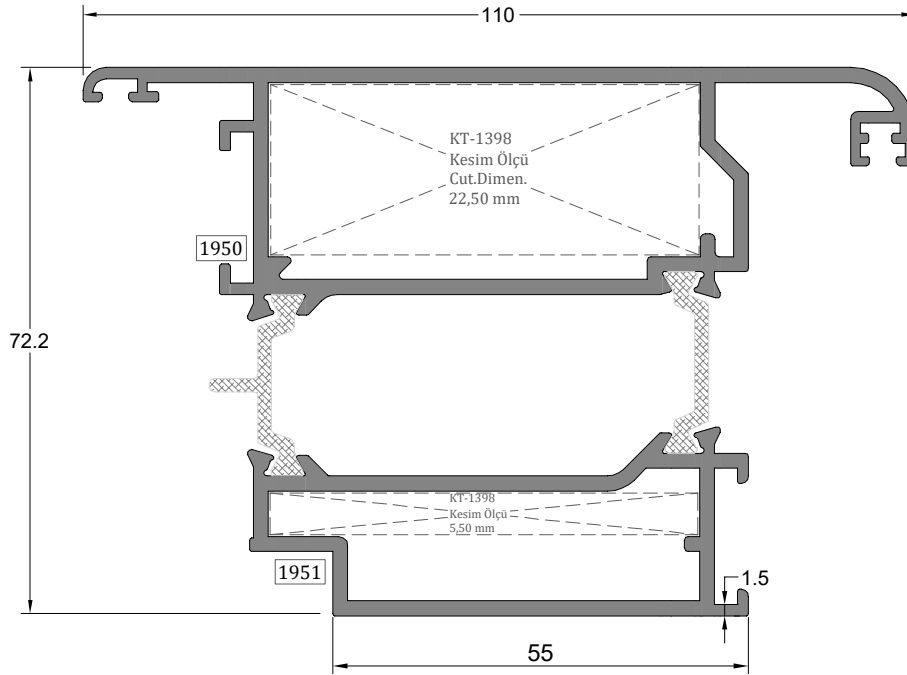


Kanat Profili	Profil Kodu	(kg/mt)	Jx cm <sup>4</sup>	Jy cm <sup>4</sup>
SASH PROFILE	Profile Code	Weight		
	64-1724-1725	2,578	60,89	61,37

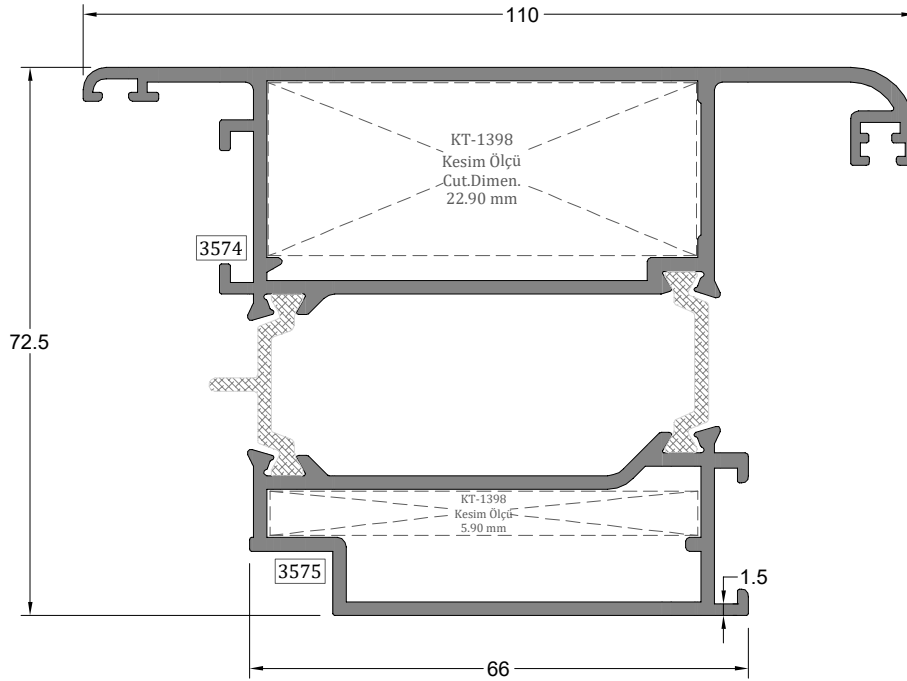


Kanat Profili	Profil Kodu	(kg/mt)	Jx cm <sup>4</sup>	Jy cm <sup>4</sup>
SASH PROFILE	Profile Code	Weight		
	64-3570-3571	2,420	57,06	59,55

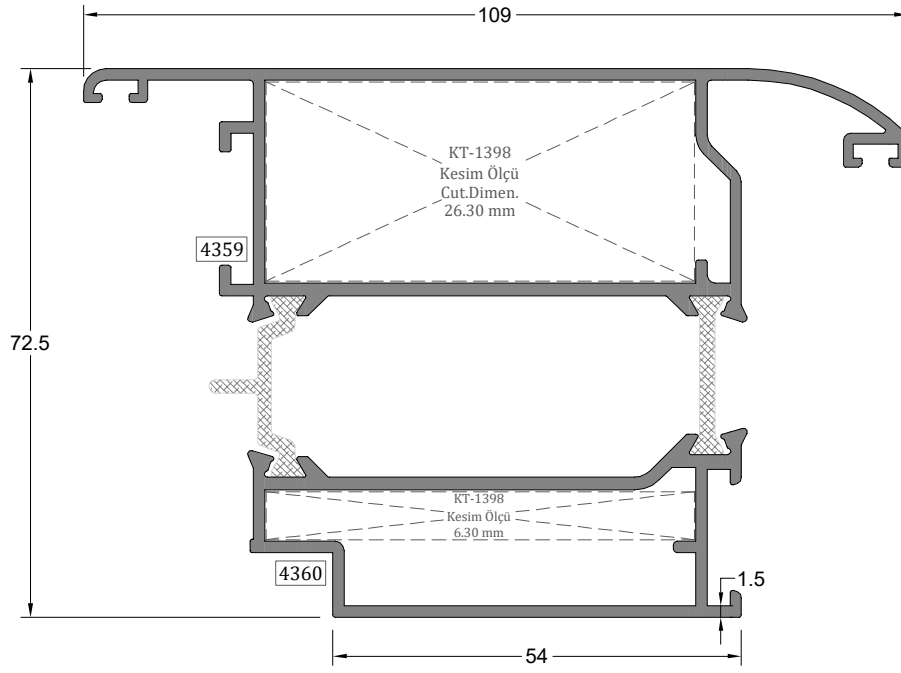




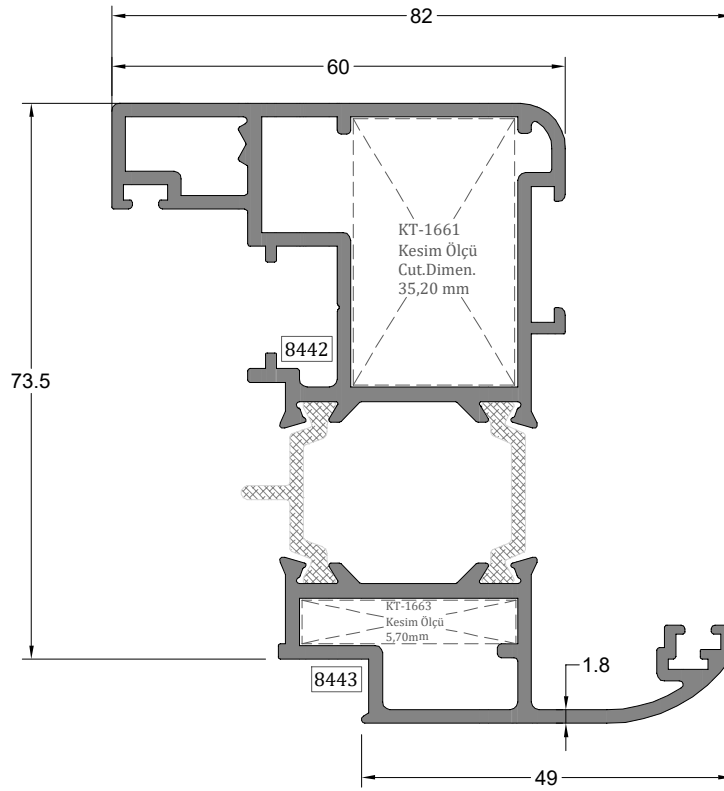
Dışa Açılır Kanat Profili OUTWARD OPENING SASH PROFILE	Profil Kodu Profile Code	(kg/mt) Weight	Jx cm <sup>4</sup>	Jy cm <sup>4</sup>
	64-1950-1951	2,626	61,49	69,53



Dışa Açılır Kanat Profili OUTWARD OPENING SASH PROFILE	Profil Kodu Profile Code	(kg/mt) Weight	Jx cm <sup>4</sup>	Jy cm <sup>4</sup>
	64-3574-3575	2,469	57,10	64,57

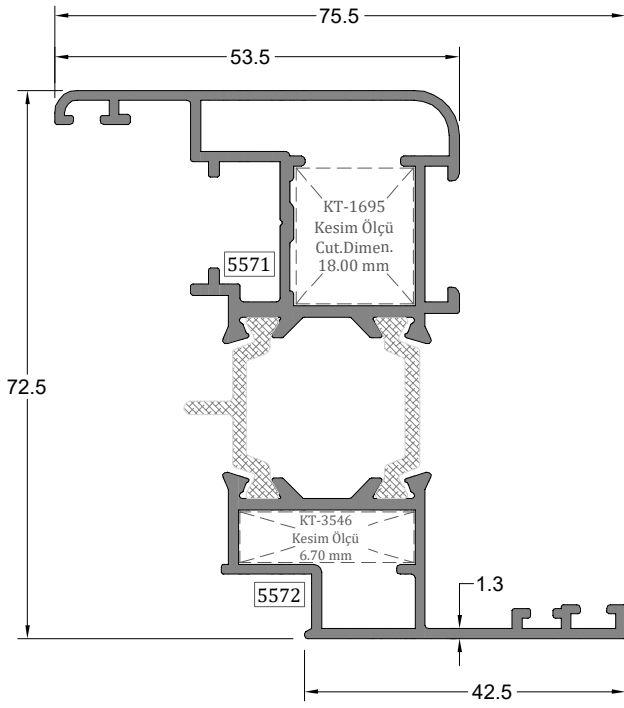


Dışa Açılır Kanat Profili OUTWARD OPENING SASH PROFILE	Profil Kodu Profile Code	(kg/mt) Weight	Jx cm <sup>4</sup>	Jy cm <sup>4</sup>
	64-4359-4360	2,205	47,74	55,17

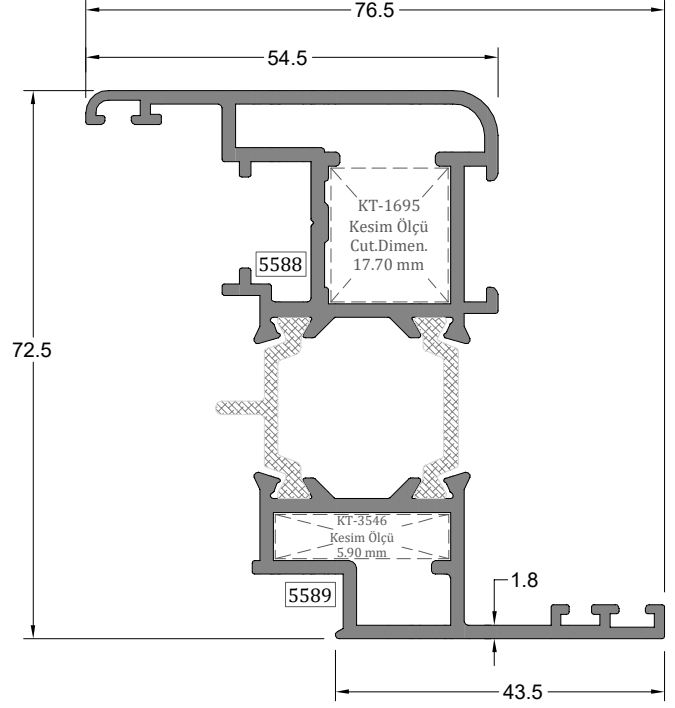


Pvc Kanallı Kanat Profili PVC GROOVE SASH PROFILE	Profil Kodu Profile Code	(kg/mt) Weight	Jx cm <sup>4</sup>	Jy cm <sup>4</sup>
	64-8442-8443	2,232	76,31	38,42

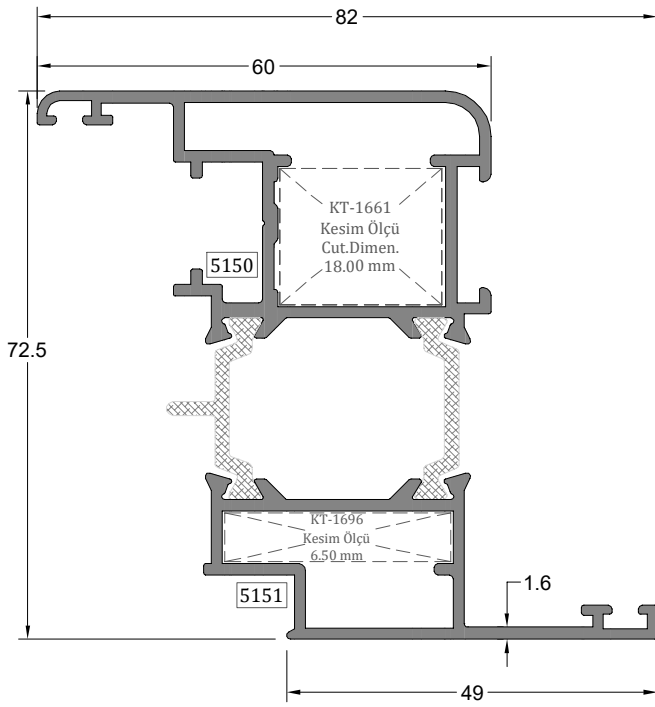
\*\* Her profil için minimum sipariş 300 kg'dır.  
\*\* Minimum order quantity is 300 kg per profile.



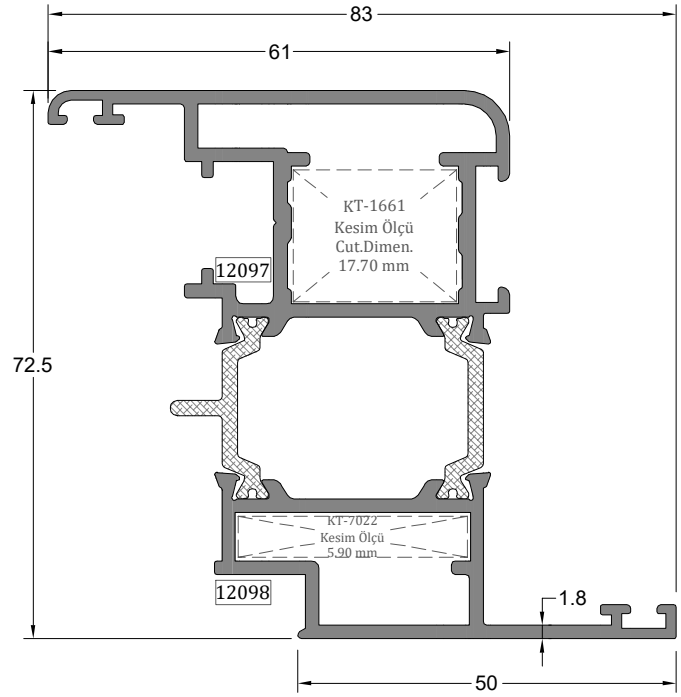
Pvc Kanallı Kanat Profili	Profil Kodu Profile Code	(kg/mt) Weight	Jx cm <sup>4</sup>	Jy cm <sup>4</sup>
PVC GROOVED SASH PROFILE	64-5571-5572	1,493	31,59	11,41



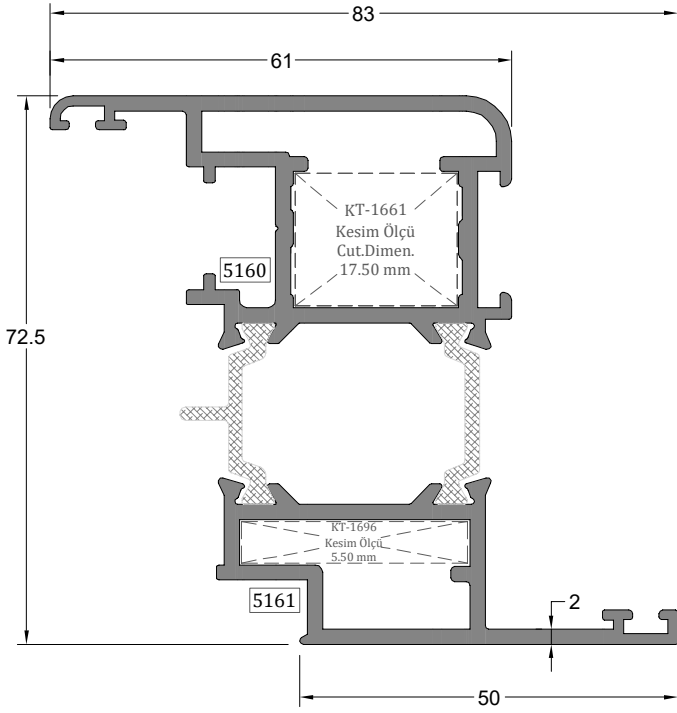
Pvc Kanallı Kanat Profili	Profil Kodu Profile Code	(kg/mt) Weight	Jx cm <sup>4</sup>	Jy cm <sup>4</sup>
PVC GROOVED SASH PROFILE	64-5588-5589	1,803	40,51	13,78



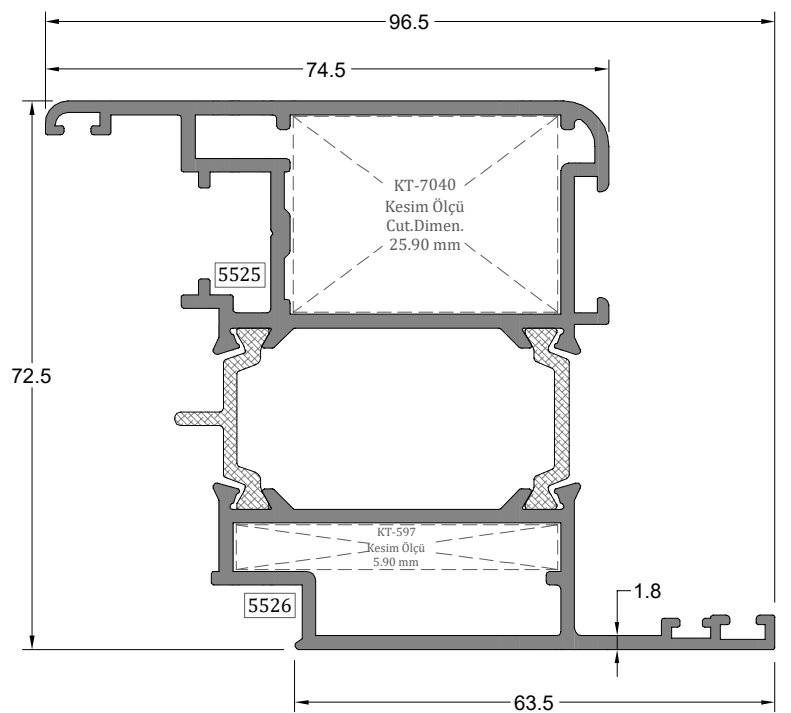
Pvc Kanallı Kanat Profili	Profil Kodu Profile Code	(kg/mt) Weight	Jx cm <sup>4</sup>	Jy cm <sup>4</sup>
PVC GROOVED SASH PROFILE	64-5150-5151	1,704	37,65	16,91



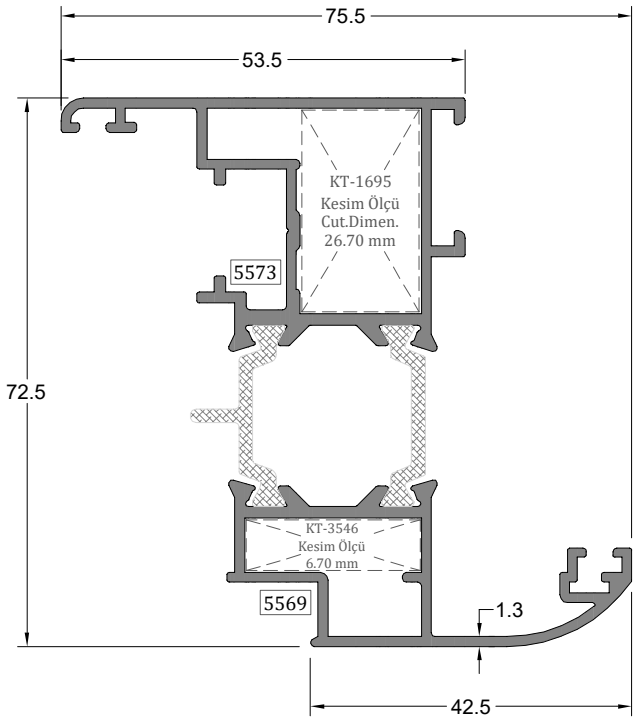
Pvc Kanallı Kanat Profili	Profil Kodu Profile Code	(kg/mt) Weight	Jx cm <sup>4</sup>	Jy cm <sup>4</sup>
PVC GROOVED SASH PROFILE	64-12097-12098	1,948	63,02	25,06



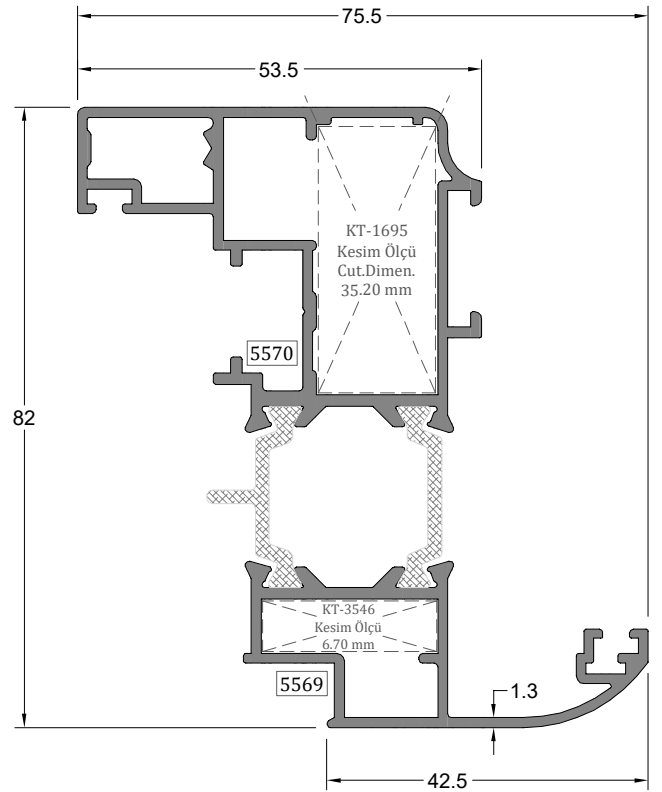
Pvc Kanallı Kanat Profili	Profil Kodu	(kg/mt)	Jx cm <sup>4</sup>	Jy cm <sup>4</sup>
PVC GROOVED SASH PROFILE	Profile Code	Weight		
	64-5160-5161	2,090	47,40	20,29



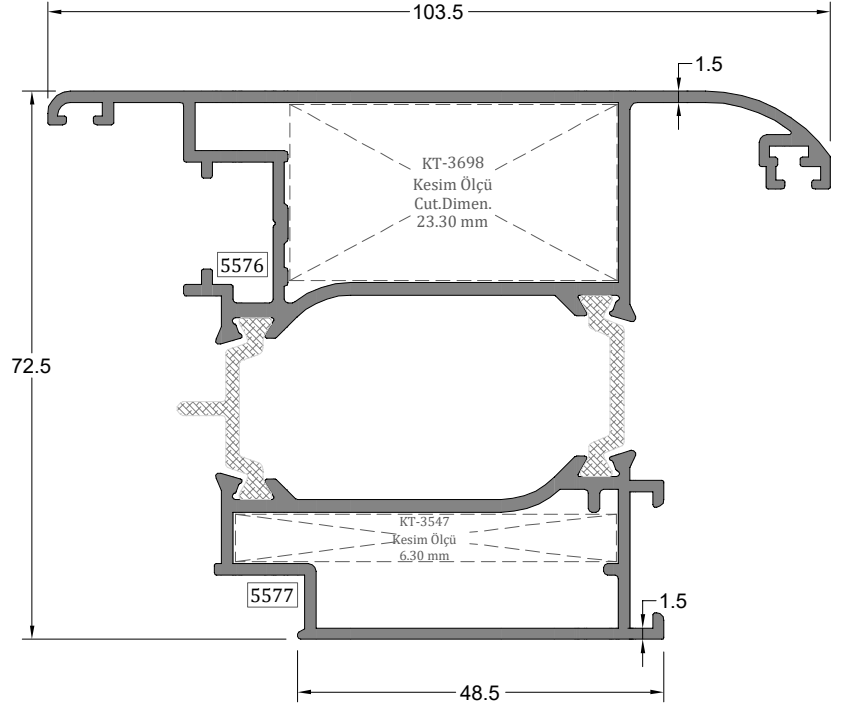
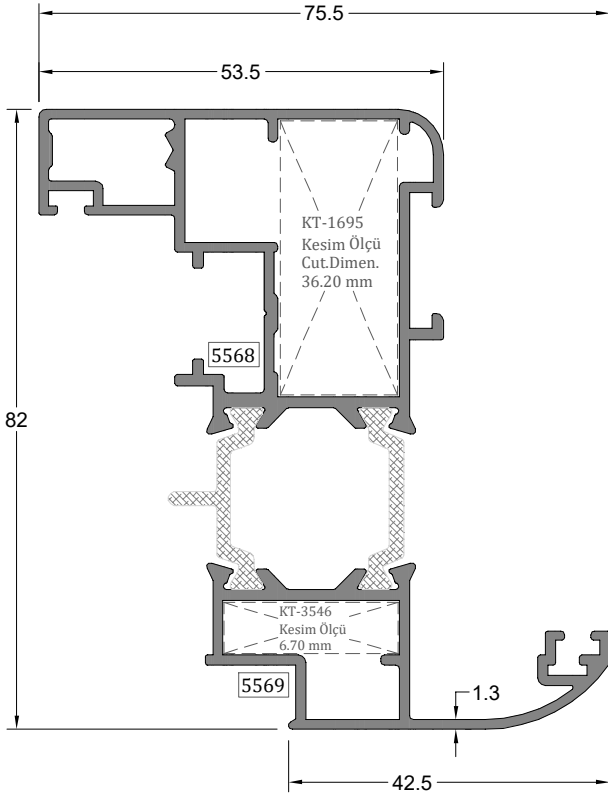
Pvc Kanallı Kanat Profili	Profil Kodu	(kg/mt)	Jx cm <sup>4</sup>	Jy cm <sup>4</sup>
PVC GROOVED SASH PROFILE	Profile Code	Weight		
	64-5525-5526	2,201	50,95	34,80



Pvc Kanallı Kanat Profili	Profil Kodu	(kg/mt)	Jx cm <sup>4</sup>	Jy cm <sup>4</sup>
PVC GROOVED SASH PROFILE	Profile Code	Weight		
	64-5573-5569	1,513	31,77	13,01

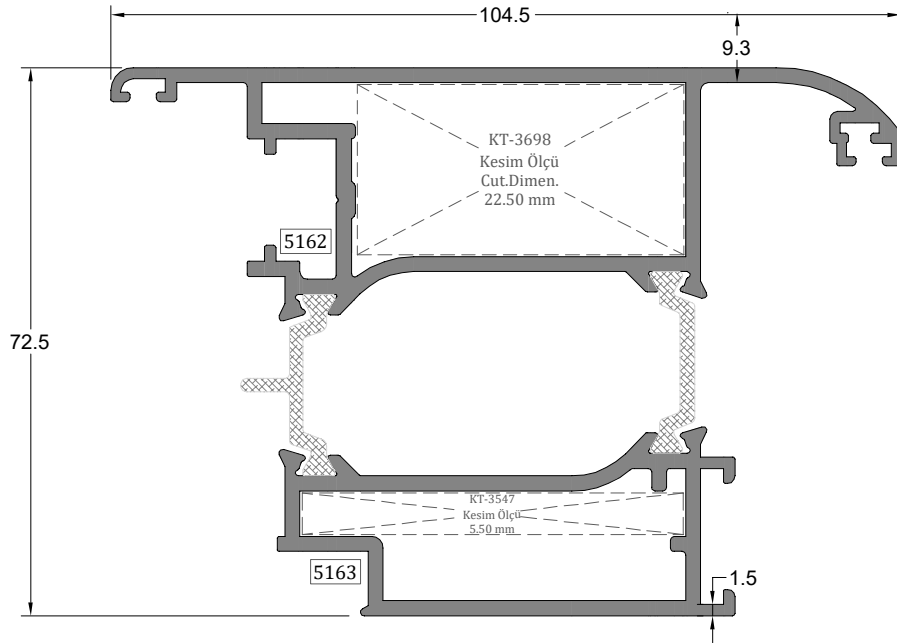


Pvc Kanallı Kanat Profili	Profil Kodu	(kg/mt)	Jx cm <sup>4</sup>	Jy cm <sup>4</sup>
PVC GROOVED SASH PROFILE	Profile Code	Weight		
	64-5570-5569	1,706	58,43	25,61



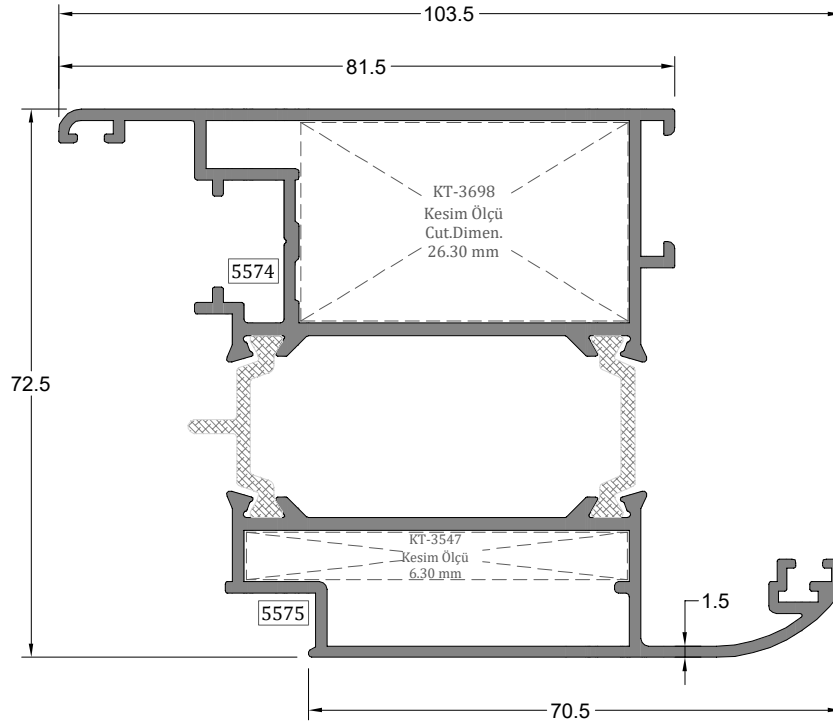
Pvc Kanallı Kanat Profili	Profil Kodu	(kg/mt)	Jx cm <sup>4</sup>	Jy cm <sup>4</sup>
PVC GROOVED SASH PROFILE	Profile Code	Weight		
	64-5568-5569	1,710	58,66	25,93

Pvc Kanallı Kanat Profili	Profil Kodu	(kg/mt)	Jx cm <sup>4</sup>	Jy cm <sup>4</sup>
PVC GROOVED SASH PROFILE	Profile Code	Weight		
	64-5576-5577	2,131	46,53	45,21

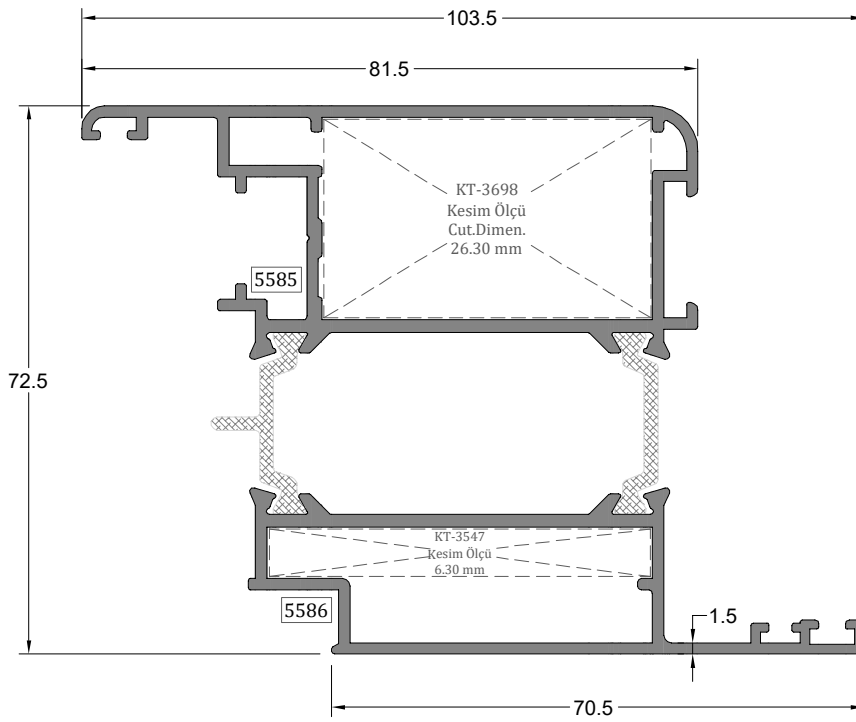


Pvc Kanallı Kanat Profili	Profil Kodu	(kg/mt)	Jx cm <sup>4</sup>	Jy cm <sup>4</sup>
PVC GROOVED SASH PROFILE	Profile Code	Weight		
	64-5162-5163	2,568	58,50	54,22

\*\* Her profil için minimum sipariş 300 kg'dır.  
\*\* Minimum order quantity is 300 kg per profile.

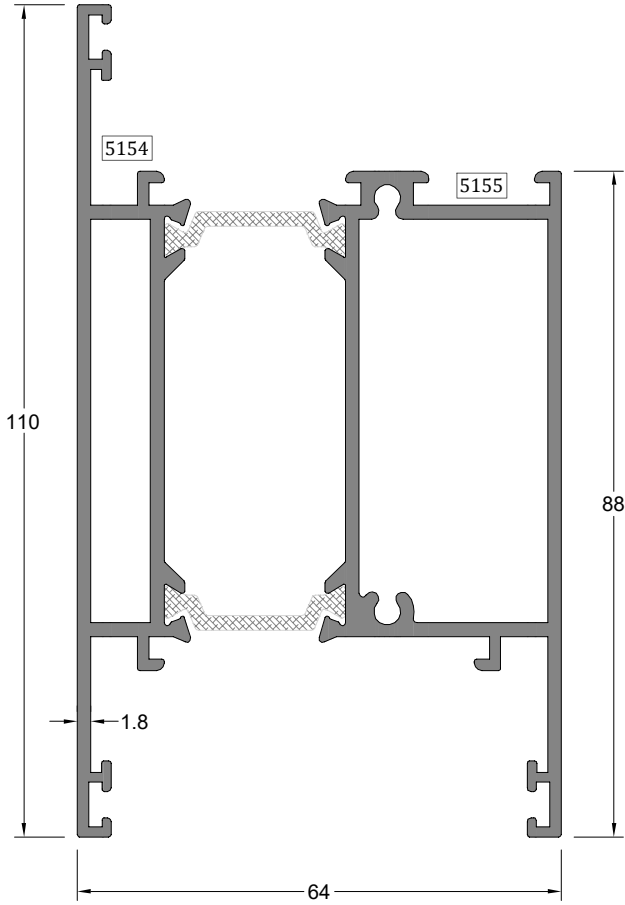


Pvc Kanallı Kanat Profili	Profil Kodu	(kg/mt)	Jx cm <sup>4</sup>	Jy cm <sup>4</sup>
PVC GROOVED SASH PROFILE	Profile Code	Weight		
	64-5574-5575	2,118	47,73	45,03

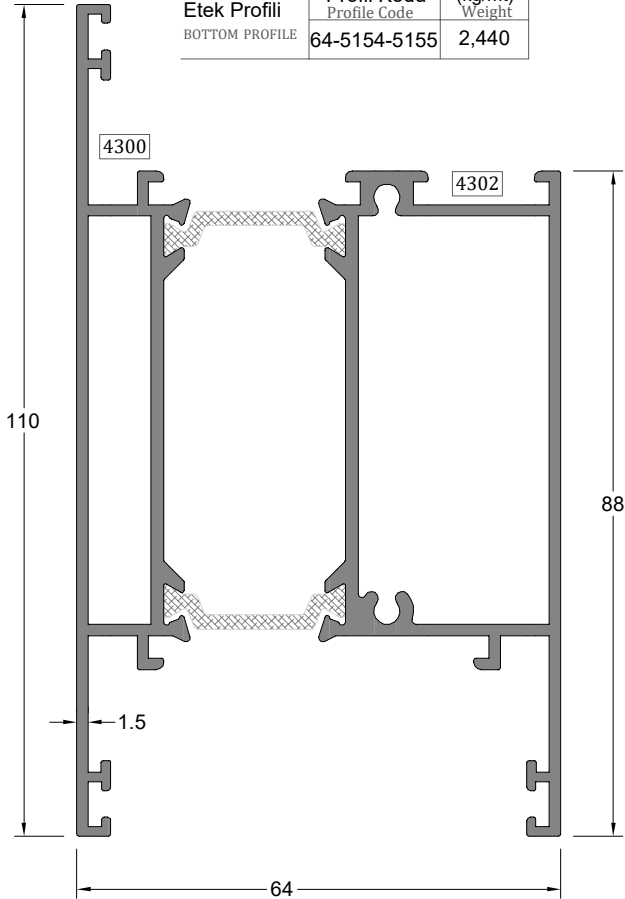


Pvc Kanallı Kanat Profili	Profil Kodu	(kg/mt)	Jx cm <sup>4</sup>	Jy cm <sup>4</sup>
PVC GROOVED SASH PROFILE	Profile Code	Weight		
	64-5585-5586	2,095	47,72	41,59

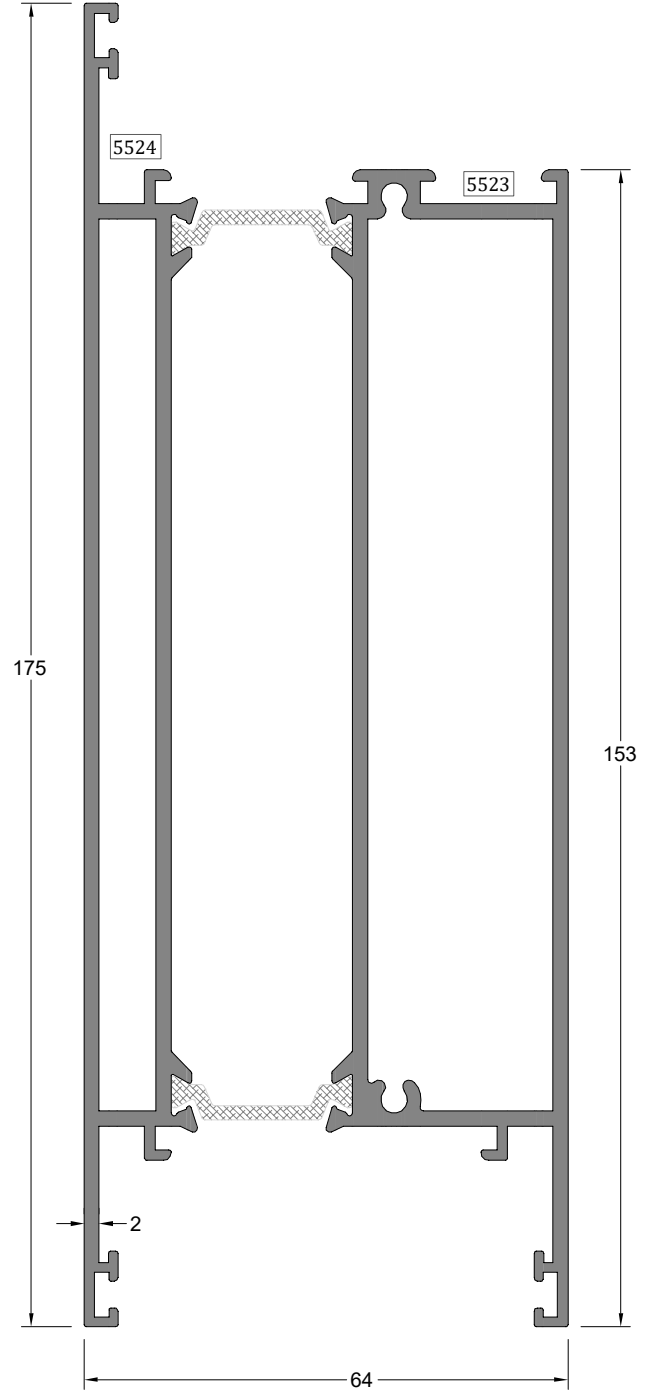
\*\* Her profil için minimum sipariş 300 kg'dır.  
\*\* Minimum order quantity is 300 kg per profile.



Etek Profili	Profil Kodu	(kg/mt)
BOTTOM PROFILE	Profile Code	Weight
	64-5154-5155	2,440

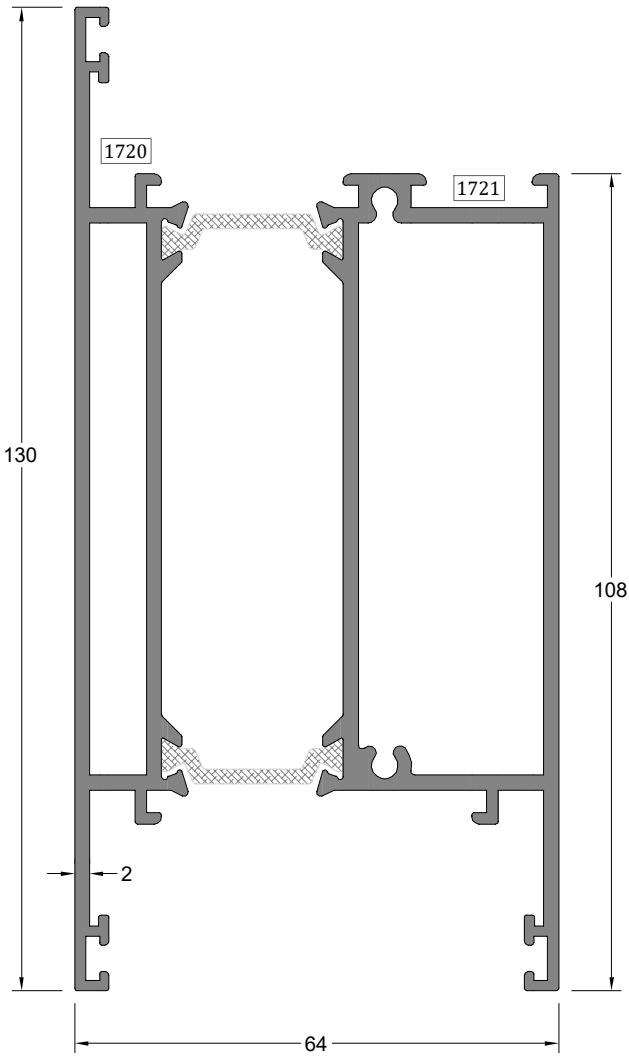


Etek Profili	Profil Kodu	(kg/mt)
BOTTOM PROFILE	Profile Code	Weight
	64-4300-4302	2,217

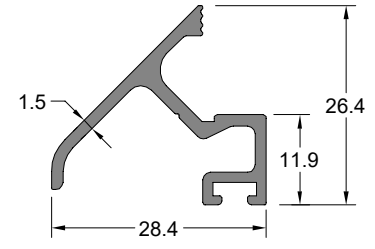


Etek Profili	Profil Kodu	(kg/mt)
BOTTOM PROFILE	Profile Code	Weight
	64-5523-5524	4,022

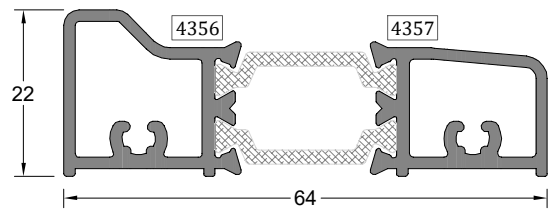
\*\* Her profil için minimum sipariş 300 kg'dır.  
\*\* Minimum order quantity is 300 kg per profile.



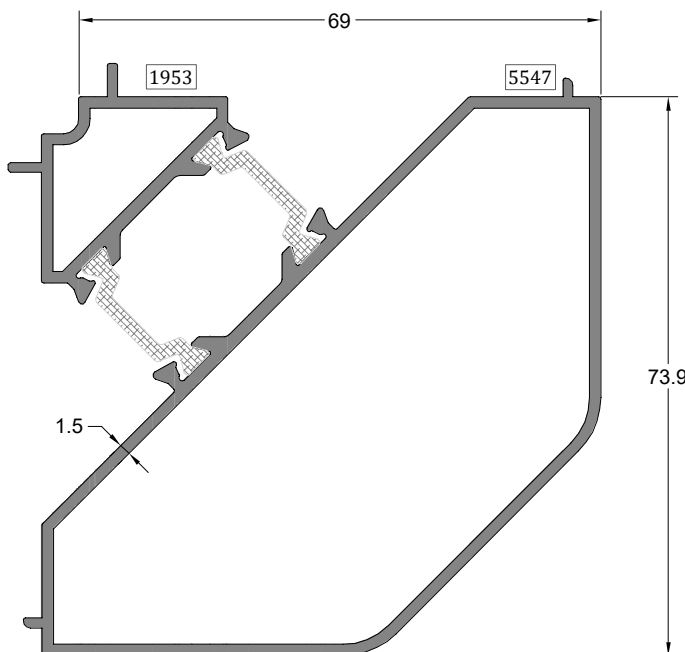
Etek Profili	Profil Kodu	(kg/mt)
BOTTOM PROFILE	Profile Code	Weight
	64-1720-1721	3,031



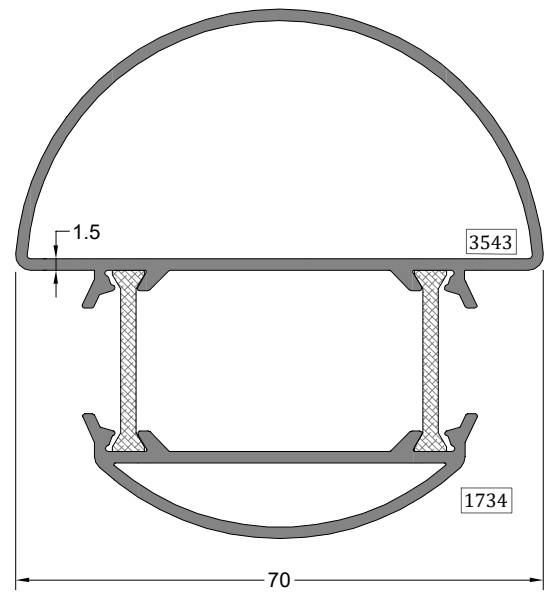
Damlalık Profili	Profil Kodu	(kg/mt)
DROPPER PROFILE	Profile Code	Weight
	4358	0,316



Kapı Altı Eşik Profili	Profil Kodu	(kg/mt)
DOOR THRESHOLD PROFILE	Profile Code	Weight
	64-4356-4357	1,000



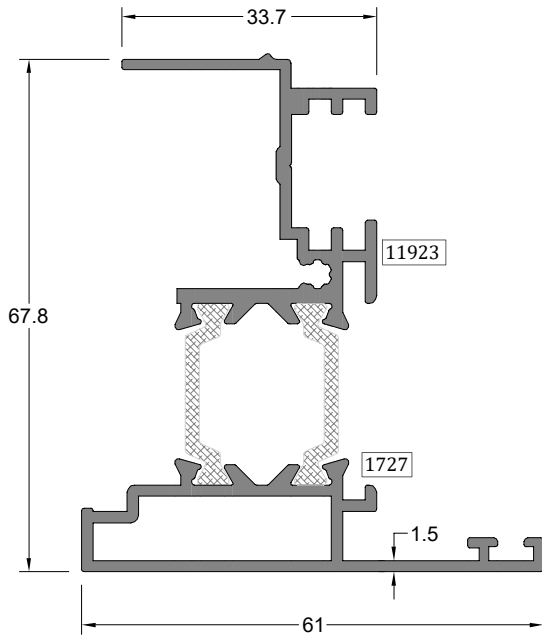
Köşe Dönüş Profili	Profil Kodu	(kg/mt)	Jx cm <sup>4</sup>	Jy cm <sup>4</sup>
CORNER PROFILE	Profile Code	Weight		
	64-1953-5547	1,649	35,14	35,14



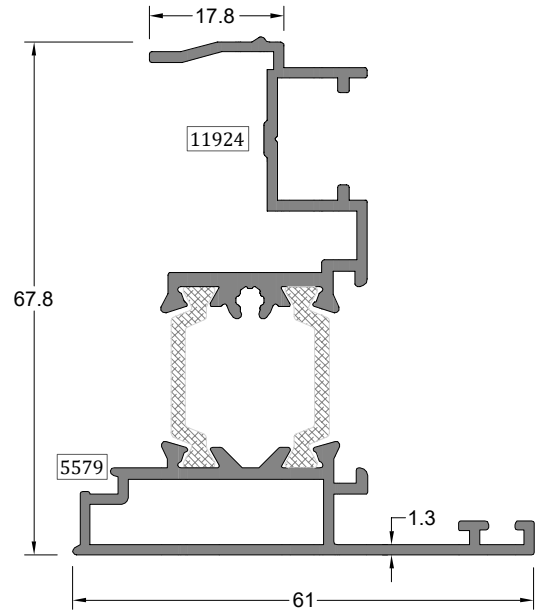
Köşe Dönüş Profili	Profil Kodu	(kg/mt)	Jx cm <sup>4</sup>	Jy cm <sup>4</sup>
CORNER PROFILE	Profile Code	Weight		
	64-1734-3543	1,405	22,52	18,88

\*\* Her profil için minimum sipariş 300 kg'dır.  
\*\* Minimum order quantity is 300 kg per profile.

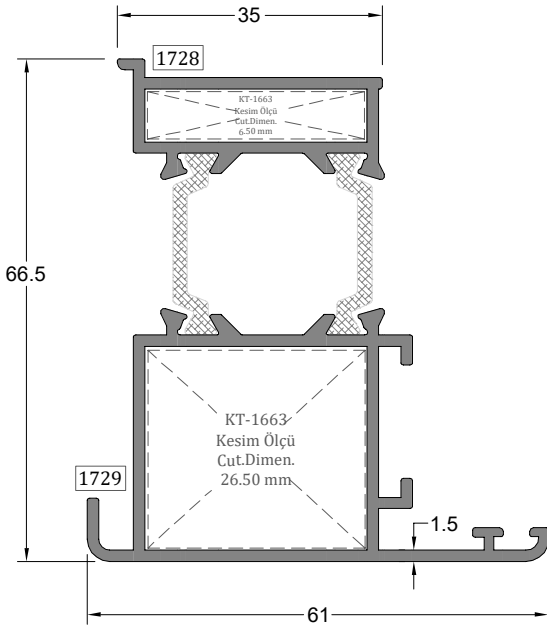




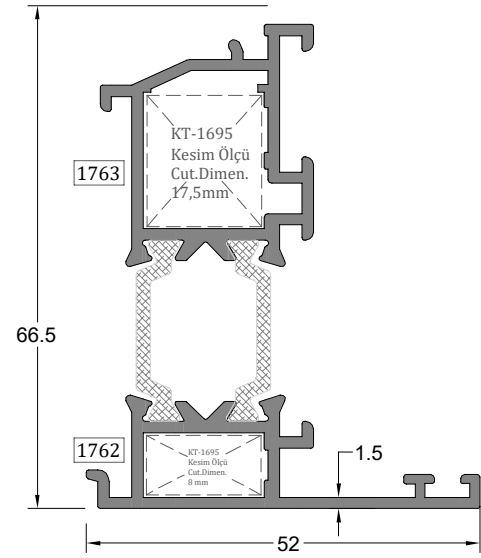
Euro Kanallı Adaptör Profili	Profil Kodu	(kg/mt)
EURO GROOVED ADAPTER PROFILE	Profile Code	Weight
	64-11923-1727	1,326



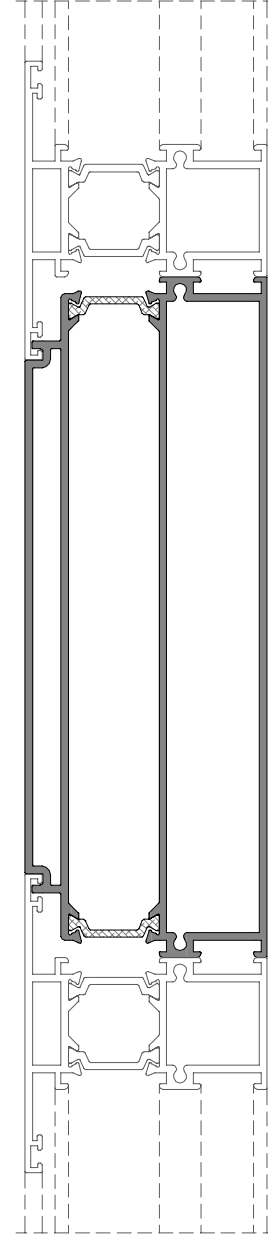
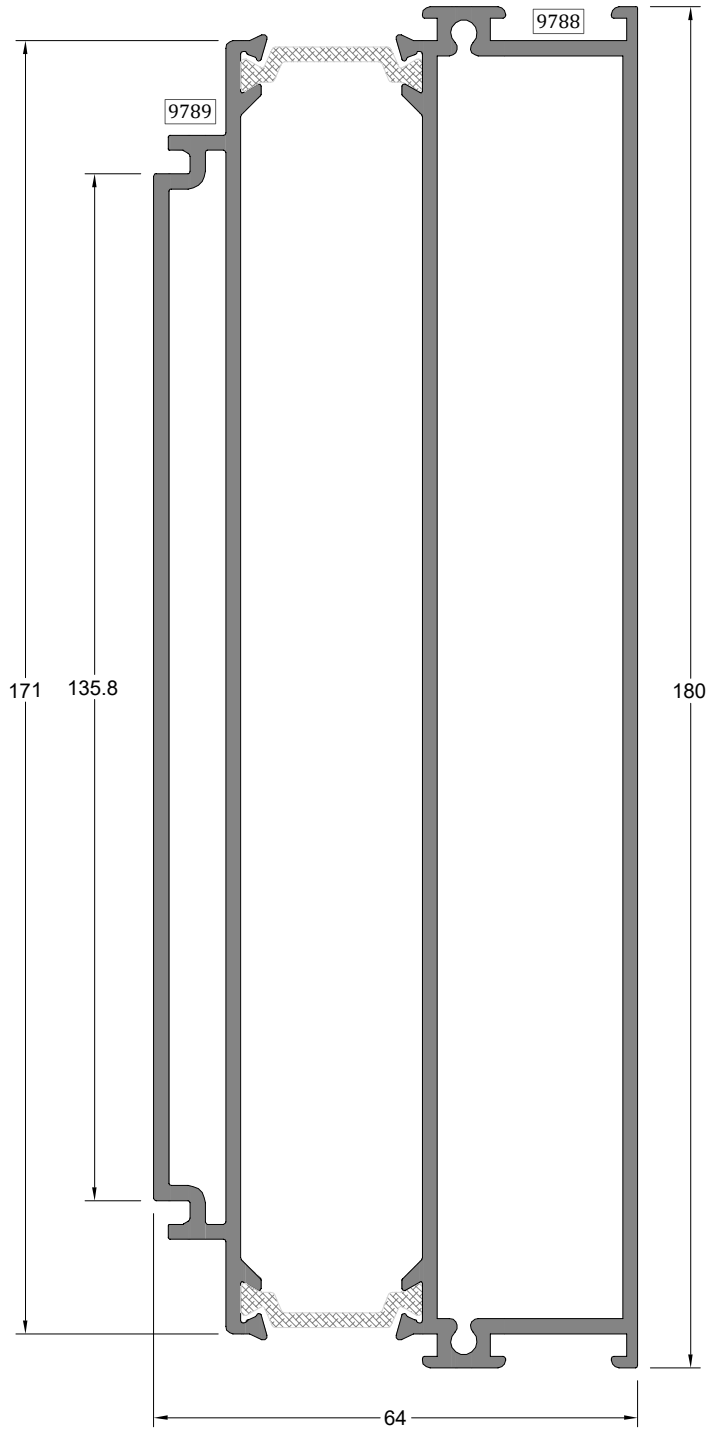
Pvc Kanallı Adaptör Profili	Profil Kodu	(kg/mt)
PVC GROOVED ADAPTER PROFILE	Profile Code	Weight
	64-11924-5579	1,230



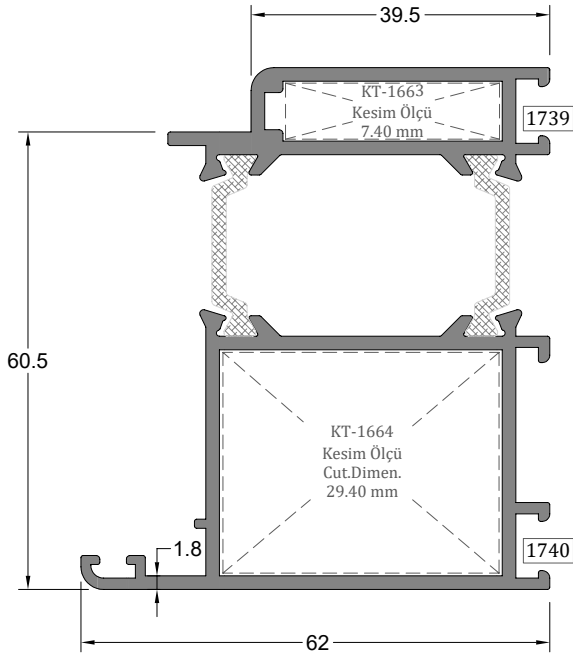
Pivot Adaptör Profili	Profil Kodu	(kg/mt)
PIVOT ADAPTER PROFILE	Profile Code	Weight
	64-1728-1729	1,407



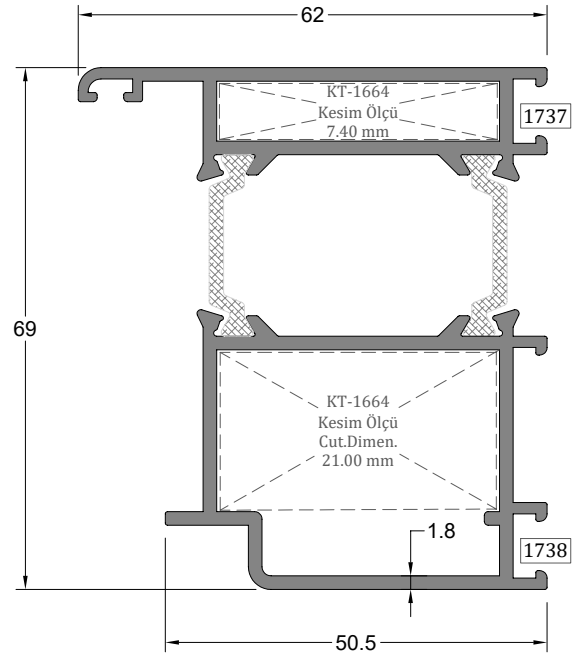
Dışa Açılır Adaptör Profili	Profil Kodu	(kg/mt)
OUTWARD OPENING ADAPTER PROFILE	Profile Code	Weight
	64-1762-1763	1,190



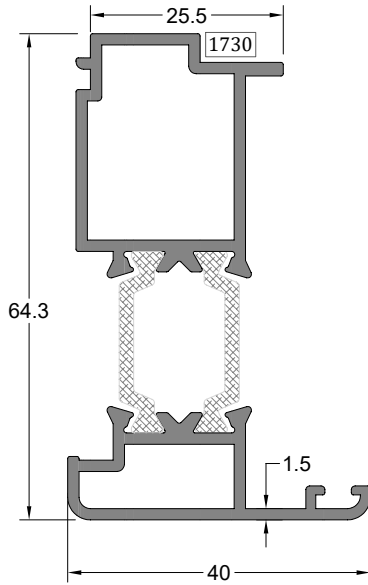
Orta Kayıt Profili MULLION PROFILE	Profil Kodu Profile Code	(kg/mt) Weight	Jx cm <sup>4</sup>	Jy cm <sup>4</sup>
	64-9789-9788	4,456	480,99	86,07



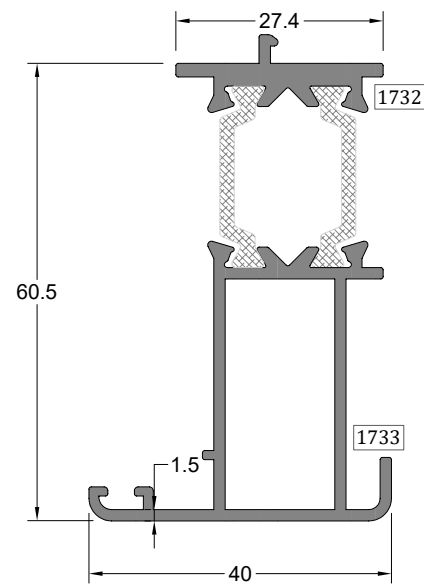
★Hemiyüz Dışa Açılır Kasa Profili	Profil Kodu	(kg/mt)	Jx cm <sup>4</sup>	Jy cm <sup>4</sup>
SYMMETRICAL OUTWARD OPENING FRAME PROFILE	Profile Code	Weight		
	64-1739-1740	1,742	35,32	16,10



★Hemiyüz İçe Açılır Kasa Profili	Profil Kodu	(kg/mt)	Jx cm <sup>4</sup>	Jy cm <sup>4</sup>
SYMMETRICAL INWARD OPENING FRAME PROFILE	Profile Code	Weight		
	64-1737-1738	1,731	34,63	16,50



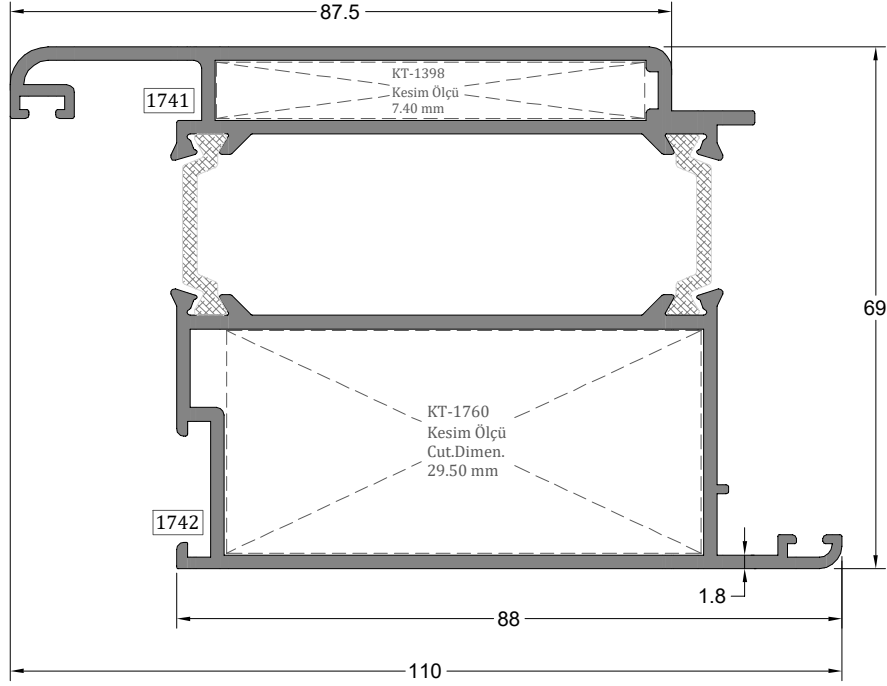
★Hemiyüz İçe Açılır Adaptör Profili	Profil Kodu	(kg/mt)	Jx cm <sup>4</sup>	Jy cm <sup>4</sup>
SYMMETRICAL INWARD OPENING ADAPTER PROFILE	Profile Code	Weight		
	64-1730-1731	1,096	17,40	3,27



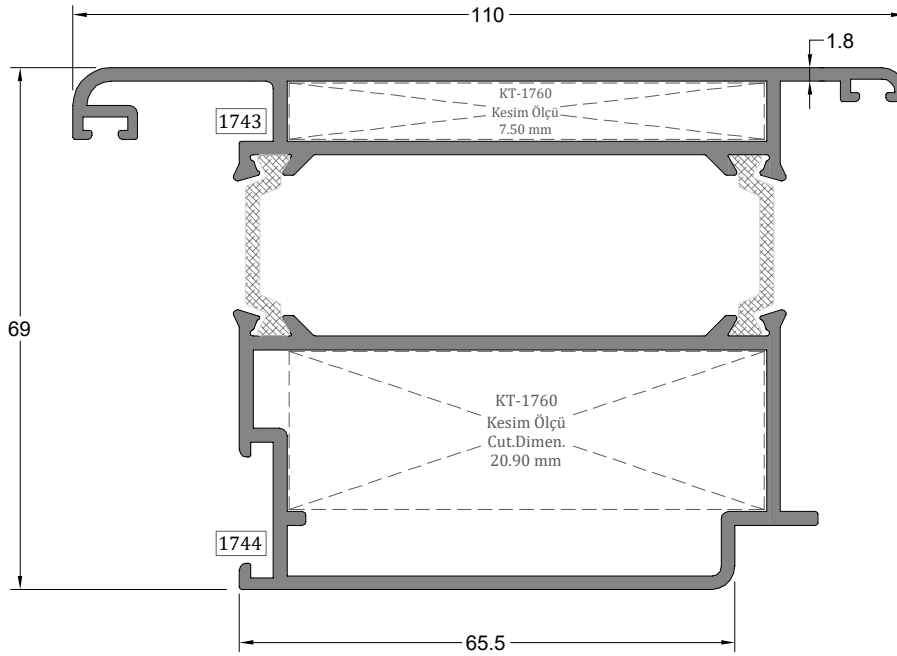
★Hemiyüz Dışa Açılır Adaptör Profili	Profil Kodu	(kg/mt)	Jx cm <sup>4</sup>	Jy cm <sup>4</sup>
SYMMETRICAL OUTWARD OPENING ADAPTER PROFILE	Profile Code	Weight		
	64-1732-1733	1,097	17,49	2,92

★	64-1739-1740	64-1730-1731	64-1741-1742
	64-1737-1738	64-1732-1733	64-1743-1744

Tablodaki profiller birbiri ile çalışmaktadır.  
Profiles in the table work with each other.



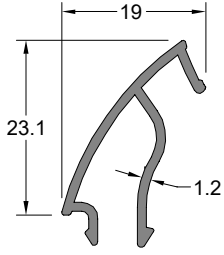
★Hemyüz İçe Açılır Kapı Kanat Profili	Profil Kodu	(kg/mt)	Jx cm <sup>4</sup>	Jy cm <sup>4</sup>
SYMMETRICAL INWARD OPENING SASH PROFILE	Profile Code	Weight		
	64-1741-1742	2,425	53,99	68,21



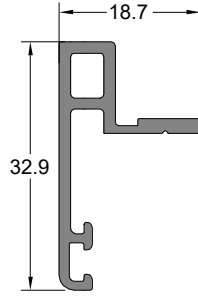
★Hemyüz Dışa Açılır Kapı Kanat Profili	Profil Kodu	(kg/mt)	Jx cm <sup>4</sup>	Jy cm <sup>4</sup>
SYMMETRICAL OUTWARD OPENING SASH PROFILE	Profile Code	Weight		
	64-1743-1744	2,421	51,88	68,15

★ 64-1739-1740	64-1730-1731	64-1741-1742
64-1737-1738	64-1732-1733	64-1743-1744

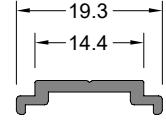
Tablodaki profiller birbiri ile çalışmaktadır.  
Profiles in the table work with each other.



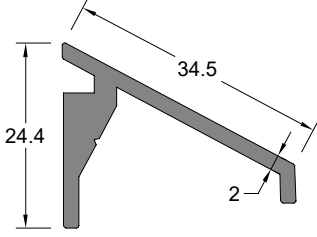
Köşe Dönüş Çıtası CORNER BEAD	Profil Kodu Profile Code	(kg/mt) Weight
	1736	0,210



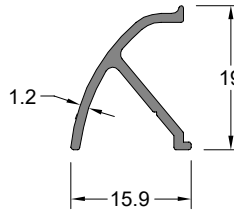
Kanat Altı Kapama Profili SUB-SASH COVER PROFILE	Profil Kodu Profile Code	(kg/mt) Weight
	10923	0,295



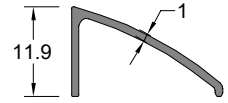
Tij Profili STEM BAR PROFILE	Profil Kodu Profile Code	(kg/mt) Weight
	8241	0,099



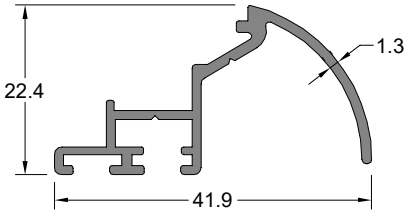
Damlalık Profili SILL PROFILE	Profil Kodu Profile Code	(kg/mt) Weight
	1011	0,402



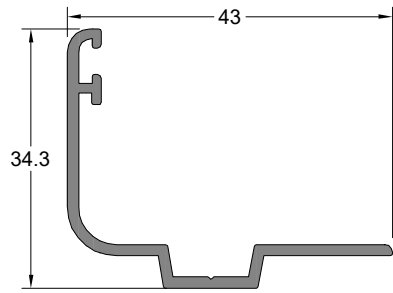
Damlalık Profili SILL PROFILE	Profil Kodu Profile Code	(kg/mt) Weight
	7021	0,140



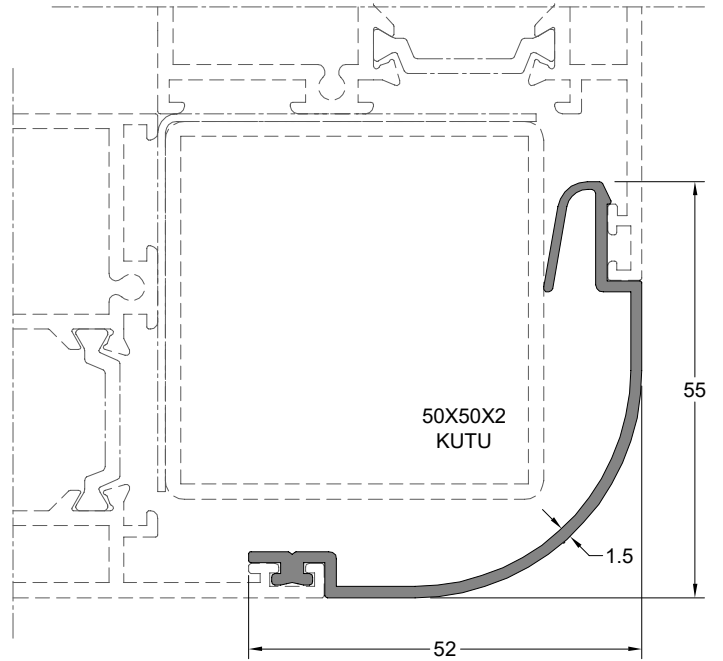
Damlalık Profili SILL PROFILE	Profil Kodu Profile Code	(kg/mt) Weight
	4242	0,094



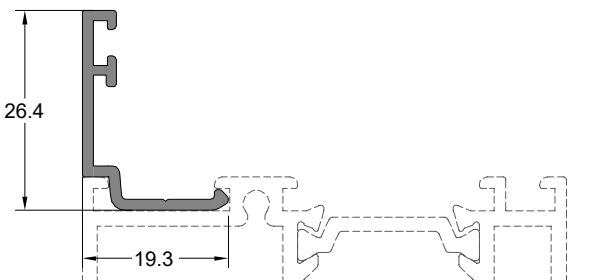
Damlalık Profili SILL PROFILE	Profil Kodu Profile Code	(kg/mt) Weight
	12375	0,326



Pervaz Profili SILL PROFILE	Profil Kodu Profile Code	(kg/mt) Weight
	1681	0,340

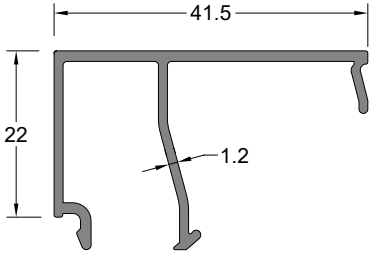


Adaptör Profili ADAPTER PROFILE	Profil Kodu Profile Code	(kg/mt) Weight
	1911	0,425

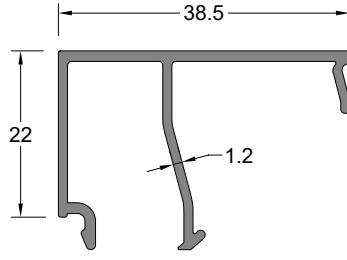


Pervaz Profili SILL PROFILE	Profil Kodu Profile Code	(kg/mt) Weight
	1912	0,211

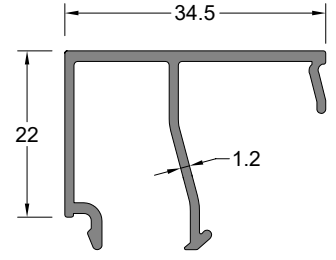
\*\* Her profil için minimum sipariş 300 kg'dır.  
\*\* Minimum order quantity is 300 kg per profile.



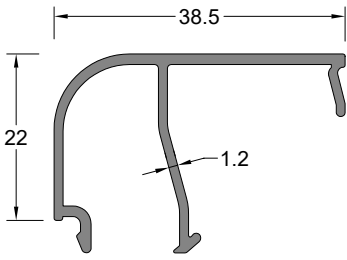
Cam Çıtası	Profil Kodu	(kg/mt)
GLAZING BEAD	Profile Code	Weight
	3537	0,367



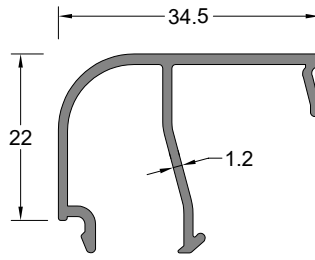
Cam Çıtası	Profil Kodu	(kg/mt)
GLAZING BEAD	Profile Code	Weight
	1749	0,356



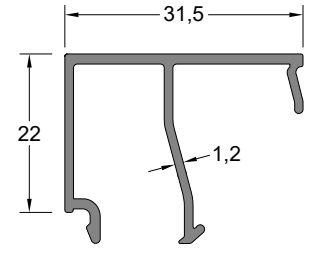
Cam Çıtası	Profil Kodu	(kg/mt)
GLAZING BEAD	Profile Code	Weight
	1747	0,340



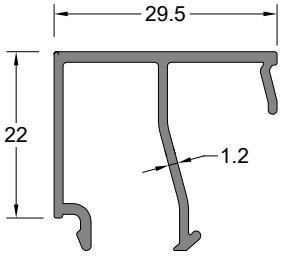
Cam Çıtası	Profil Kodu	(kg/mt)
GLAZING BEAD	Profile Code	Weight
	1750	0,342



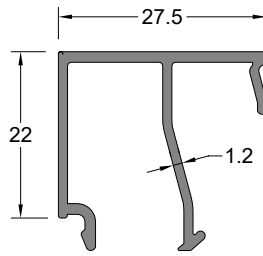
Cam Çıtası	Profil Kodu	(kg/mt)
GLAZING BEAD	Profile Code	Weight
	1748	0,327



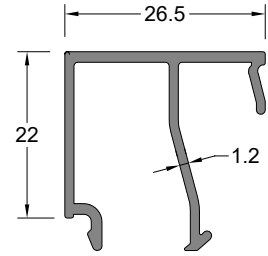
Cam Çıtası	Profil Kodu	(kg/mt)
GLAZING BEAD	Profile Code	Weight
	3536	0,329



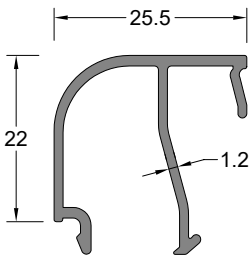
Cam Çıtası	Profil Kodu	(kg/mt)
GLAZING BEAD	Profile Code	Weight
	3636	0,321



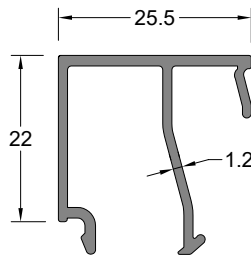
Cam Çıtası	Profil Kodu	(kg/mt)
GLAZING BEAD	Profile Code	Weight
	1966	0,314



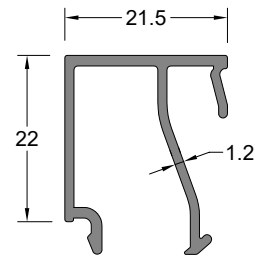
Cam Çıtası	Profil Kodu	(kg/mt)
GLAZING BEAD	Profile Code	Weight
	2236	0,310



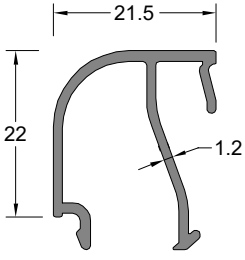
Cam Çıtası	Profil Kodu	(kg/mt)
GLAZING BEAD	Profile Code	Weight
	5527	0,293



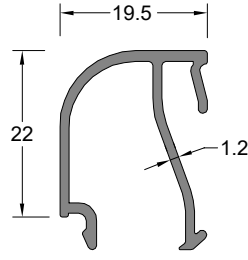
Cam Çıtası	Profil Kodu	(kg/mt)
GLAZING BEAD	Profile Code	Weight
	1949	0,306



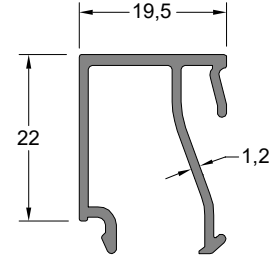
Cam Çıtası	Profil Kodu	(kg/mt)
GLAZING BEAD	Profile Code	Weight
	1745	0,292



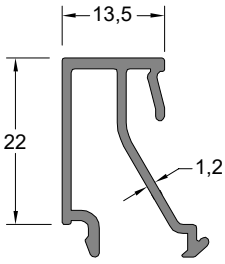
Cam Çıtası	Profil Kodu	(kg/mt)
GLAZING BEAD	Profile Code	Weight
	1746	0,279



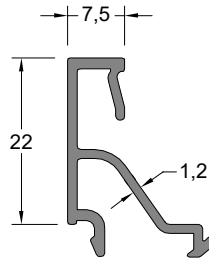
Cam Çıtası	Profil Kodu	(kg/mt)
GLAZING BEAD	Profile Code	Weight
	5546	0,271



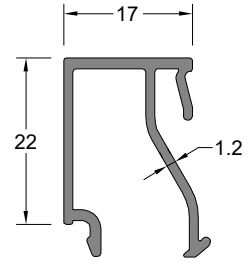
Cam Çıtası	Profil Kodu	(kg/mt)
GLAZING BEAD	Profile Code	Weight
	1699	0,285



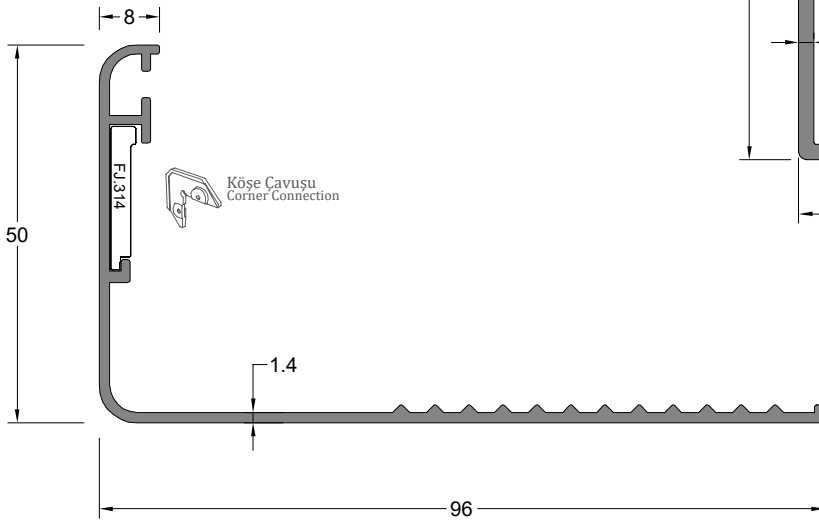
Cam Çıtası	Profil Kodu	(kg/mt)
GLAZING BEAD	Profile Code	Weight
	1698	0,270



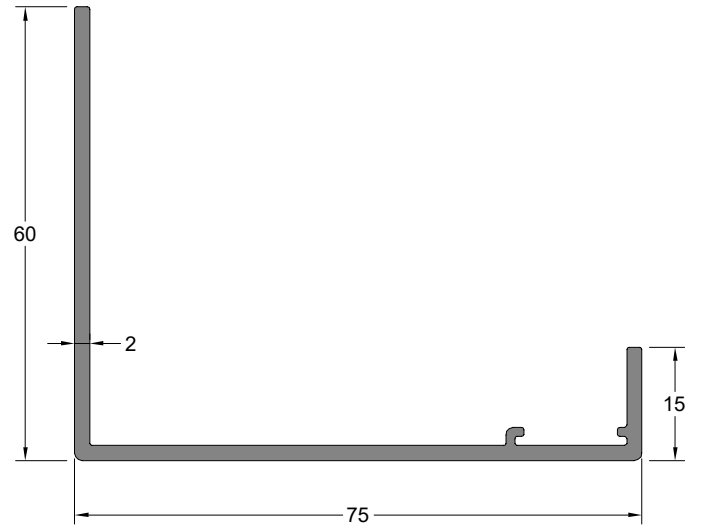
Cam Çıtası	Profil Kodu	(kg/mt)
GLAZING BEAD	Profile Code	Weight
	1948	0,235



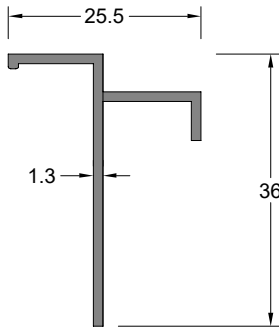
Cam Çıtası	Profil Kodu	(kg/mt)
GLAZING BEAD	Profile Code	Weight
	3539	0,277



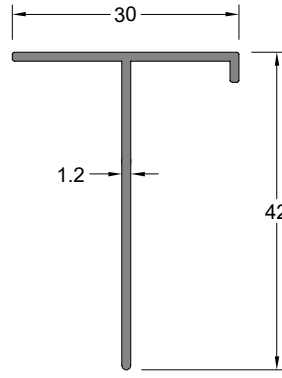
Pervaz Profili	Profil Kodu	(kg/mt)
SILL PROFILE	Profile Code	Weight
	553	0,656



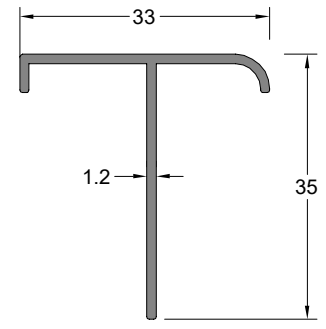
Pervaz Profili	Profil Kodu	(kg/mt)
SILL PROFILE	Profile Code	Weight
	10012	0,805



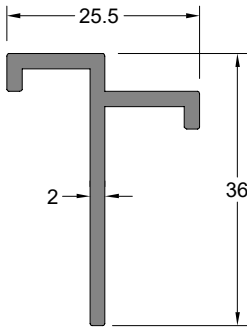
T Bağlantı Profili	Profil Kodu	(kg/mt)
T CONNECTION PROFILE	Profile Code	Weight
	1121	0,233



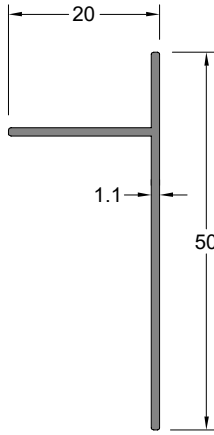
T Bağlantı Profili	Profil Kodu	(kg/mt)
T CONNECTION PROFILE	Profile Code	Weight
	1035	0,240



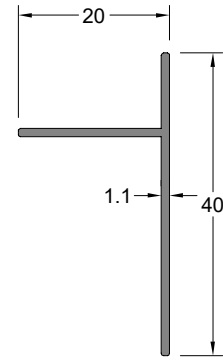
T Bağlantı Profili	Profil Kodu	(kg/mt)
T CONNECTION PROFILE	Profile Code	Weight
	1139	0,236



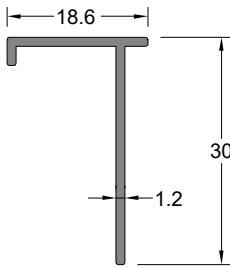
T Bağlantı Profili	Profil Kodu	(kg/mt)
T CONNECTION PROFILE	Profile Code	Weight
	1123	0,355



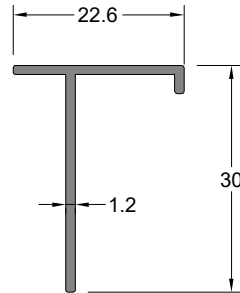
T Bağlantı Profili	Profil Kodu	(kg/mt)
T CONNECTION PROFILE	Profile Code	Weight
	5788	0,205



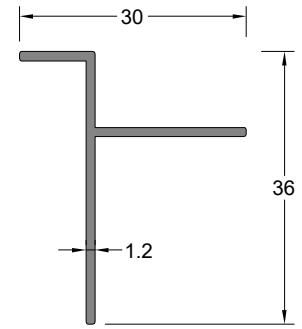
T Bağlantı Profili	Profil Kodu	(kg/mt)
T CONNECTION PROFILE	Profile Code	Weight
	6414	0,175



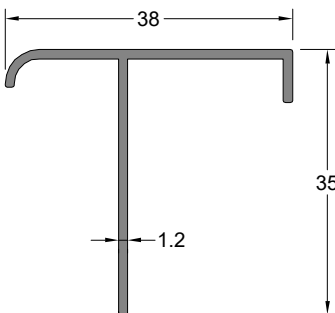
T Bağlantı Profili	Profil Kodu	(kg/mt)
T CONNECTION PROFILE	Profile Code	Weight
	3917	0,162



T Bağlantı Profili	Profil Kodu	(kg/mt)
T CONNECTION PROFILE	Profile Code	Weight
	3832	0,175



T Bağlantı Profili	Profil Kodu	(kg/mt)
T CONNECTION PROFILE	Profile Code	Weight
	3818	0,210

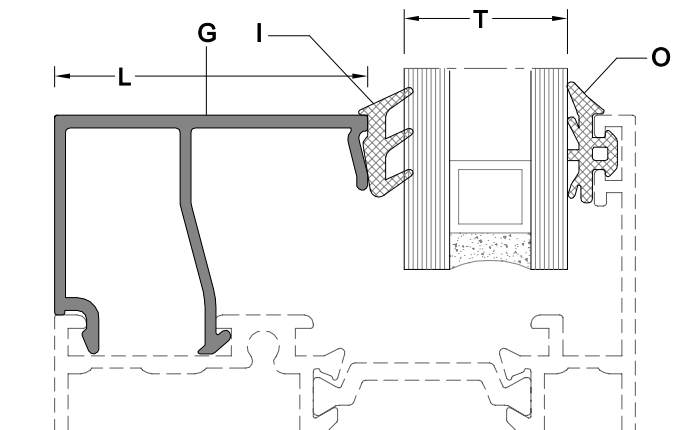


T Bağlantı Profili	Profil Kodu	(kg/mt)
T CONNECTION PROFILE	Profile Code	Weight
	7039	0,260

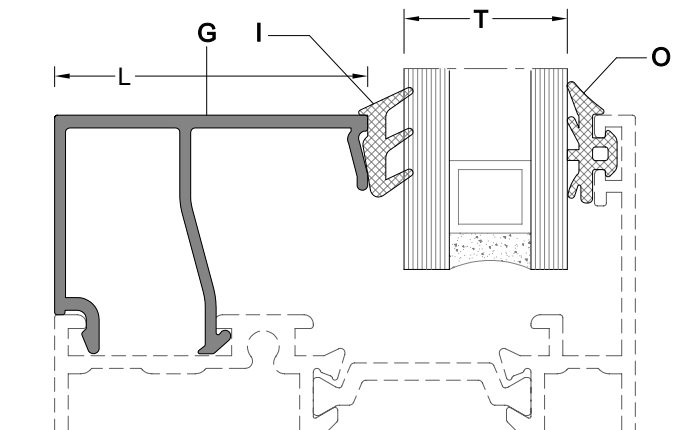
\*\* Her profil için minimum sipariş 300 kg'dır.  
\*\* Minimum order quantity is 300 kg per profile.

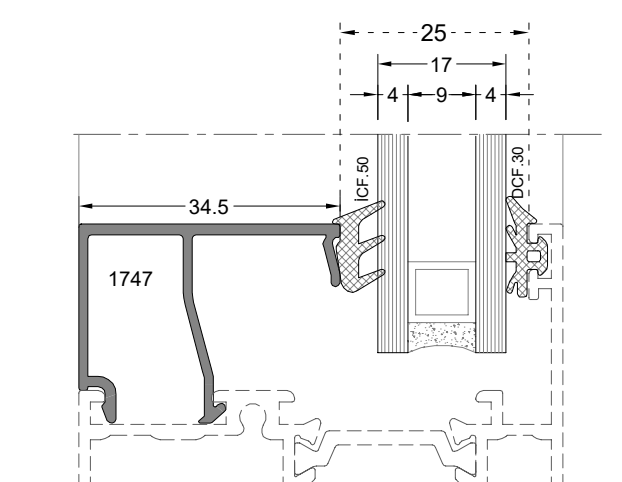
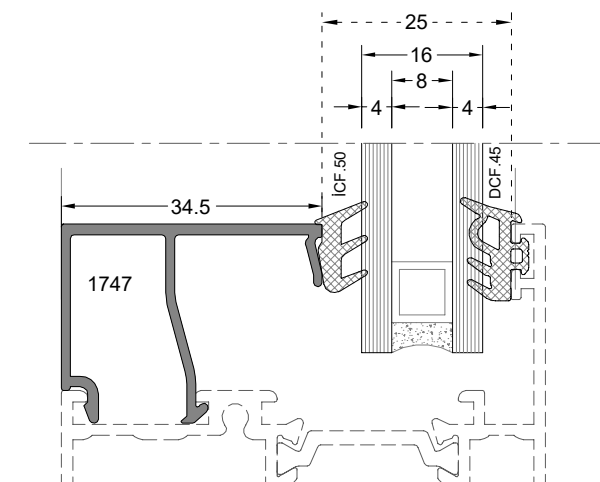
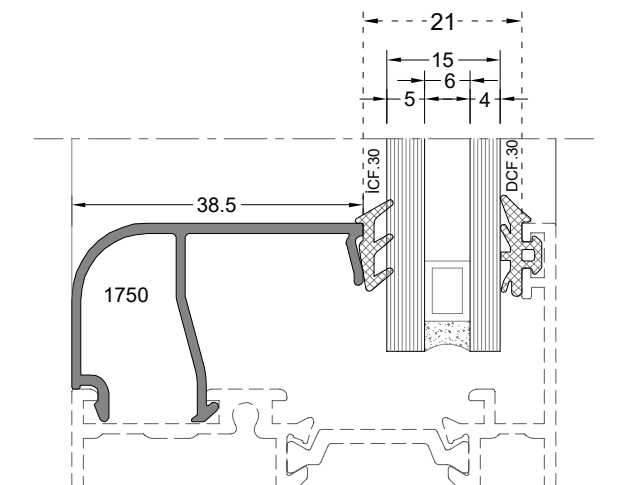
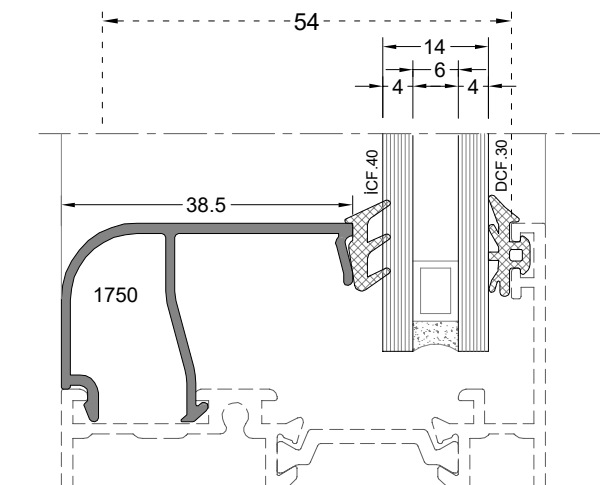
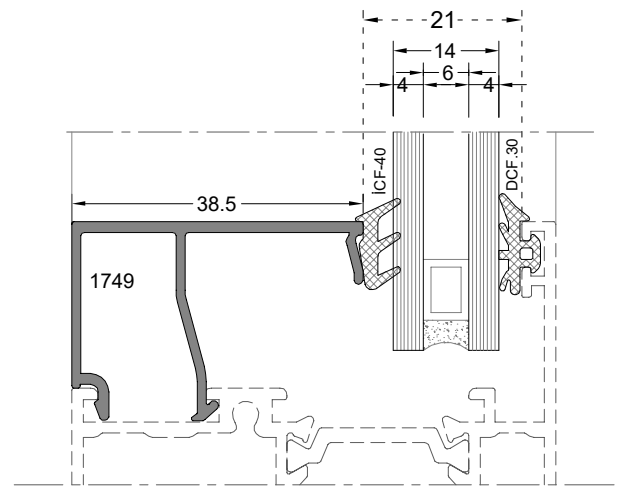
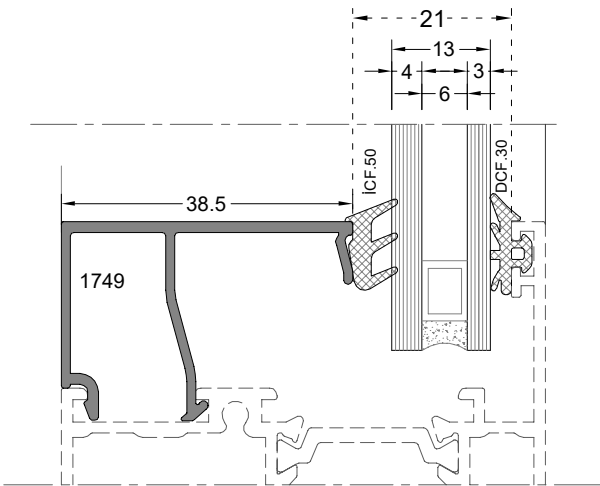
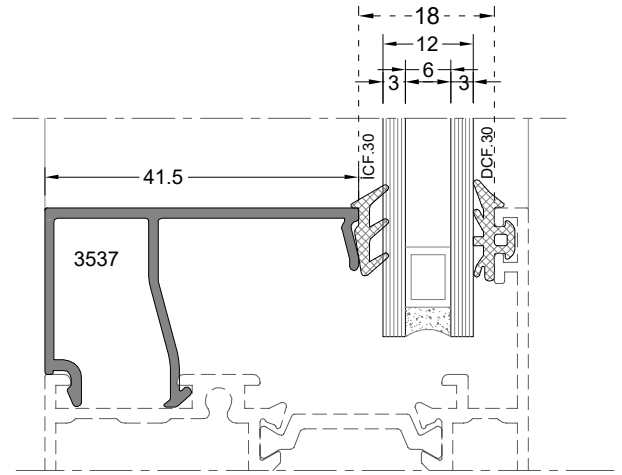
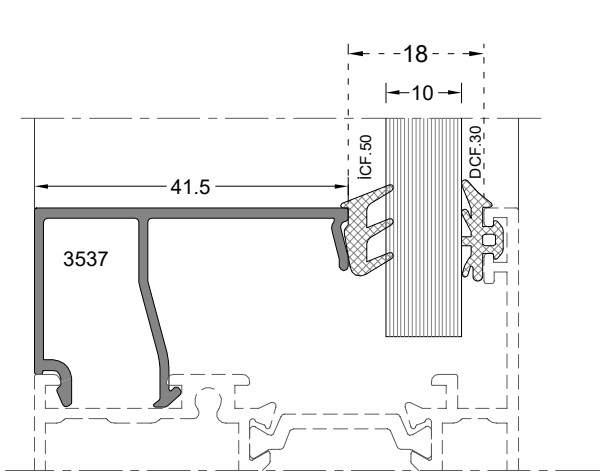


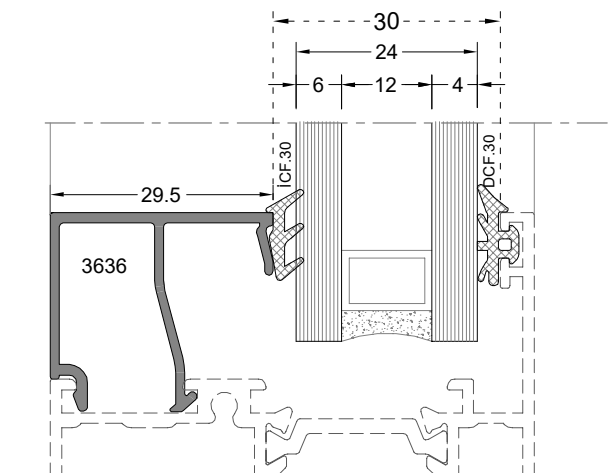
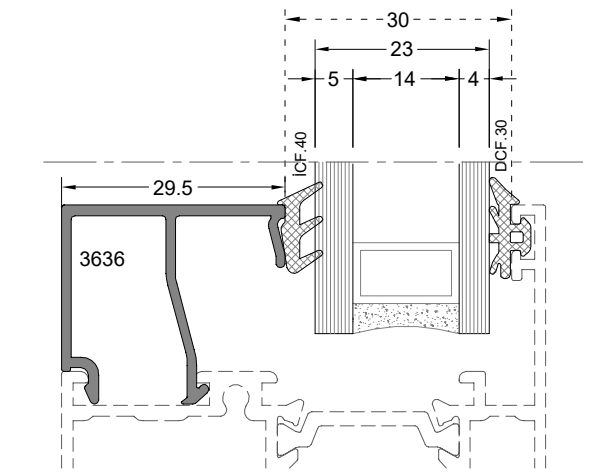
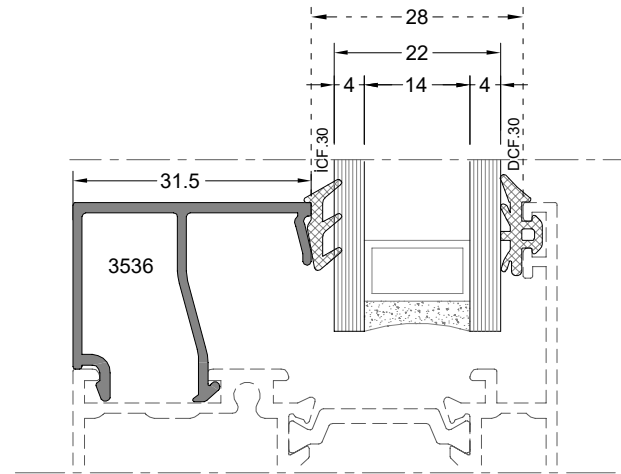
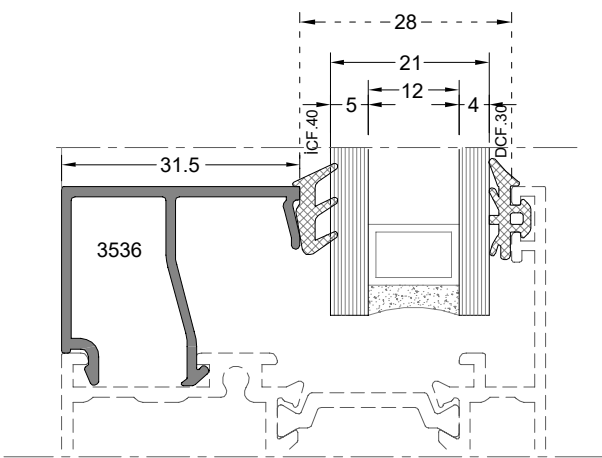
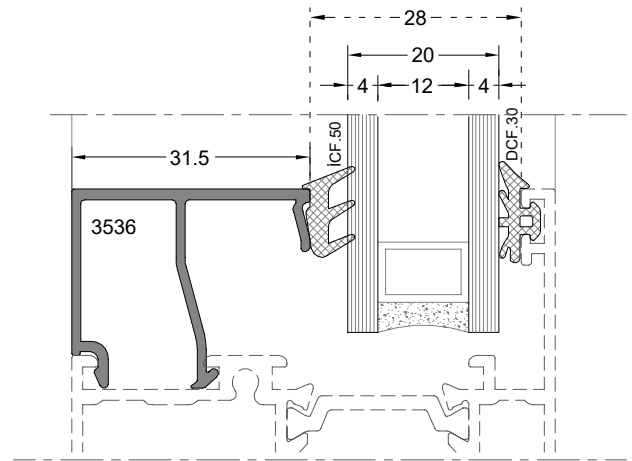
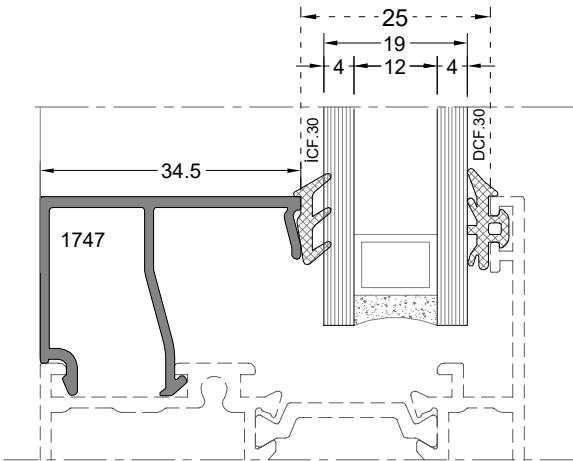
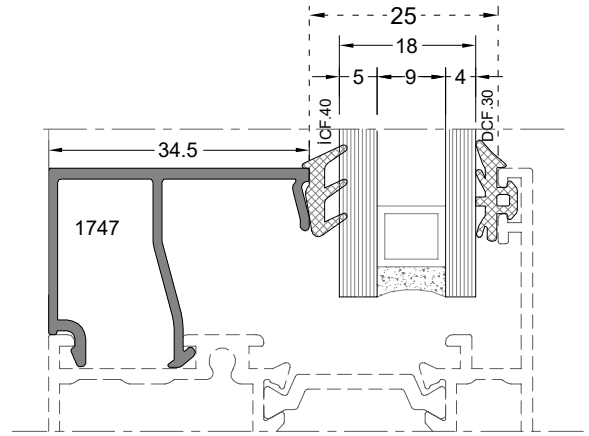
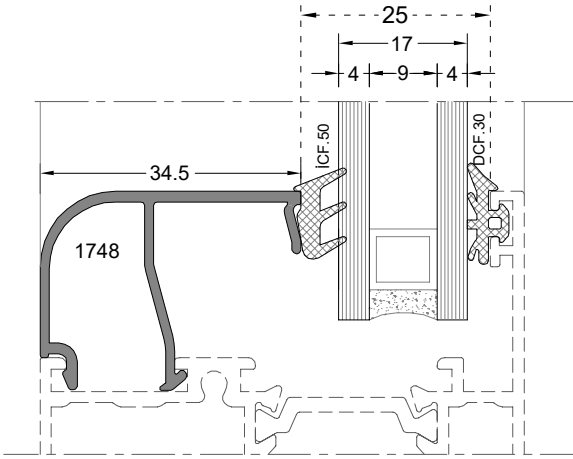
CAM ÇİTASI GLAZING BEAD <b>(G)</b>	CAM ÇİTASI UZUNLUĞU GLAZING BEAD LENGTH <b>(L)</b>	İÇ CAM FİTİLİ GLAZING GASKET(inside) <b>(I)</b>	CAM KALINLIĞI GLASS THICKNESS <b>(T)</b>	DIŞ CAM FİTİLİ GLAZING GASKET(outside) <b>(O)</b>
3537	41,5 mm	İCF.50	10 mm	DCF.30
3537	41,5 mm	İCF.30	12 mm	DCF.30
1749	38,5 mm	İCF.50	13 mm	DCF.30
1749	38,5 mm	İCF.40	14 mm	DCF.30
1750	38,5 mm	İCF.40	14 mm	DCF.30
1750	38,5 mm	İCF.30	15 mm	DCF.30
1747	34,5 mm	İCF.50	16 mm	DCF.45
1747	34,5 mm	İCF.50	17 mm	DCF.30
1748	34,5 mm	İCF.50	17 mm	DCF.30
1747	34,5 mm	İCF.40	18 mm	DCF.30
1747	34,5 mm	İCF.30	19 mm	DCF.30
3536	31,5 mm	İCF.50	20 mm	DCF.30
3536	31,5 mm	İCF.40	21 mm	DCF.30
3536	31,5 mm	İCF.30	22 mm	DCF.30
3636	29,5 mm	İCF.40	23 mm	DCF.30
3636	29,5 mm	İCF.30	24 mm	DCF.30
1966	27,5 mm	İCF.40	25 mm	DCF.30
2236	26,5 mm	İCF.40	26 mm	DCF.30
1949	25,5 mm	İCF.50	26 mm	DCF.30
5527	25,5 mm	İCF.50	26 mm	DCF.30
5527	25,5 mm	İCF.40	27 mm	DCF.30

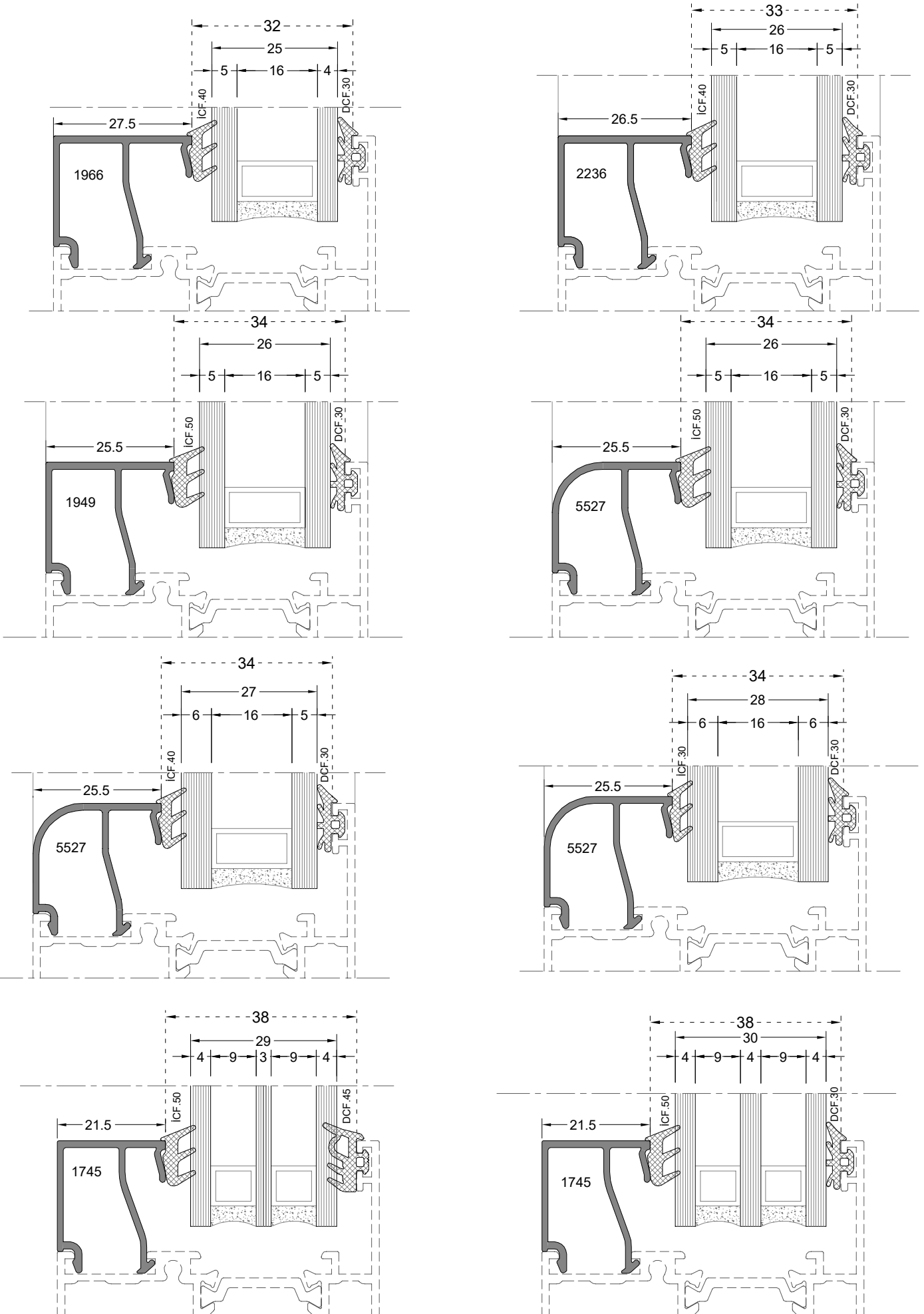


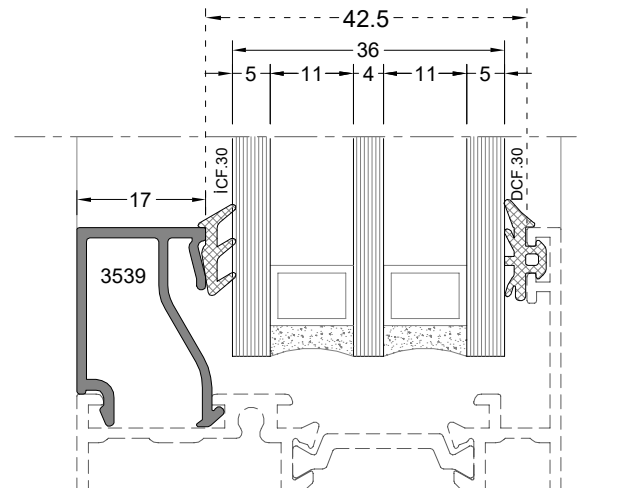
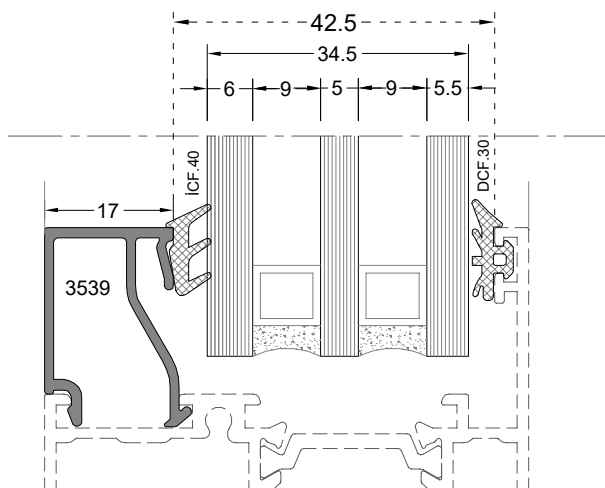
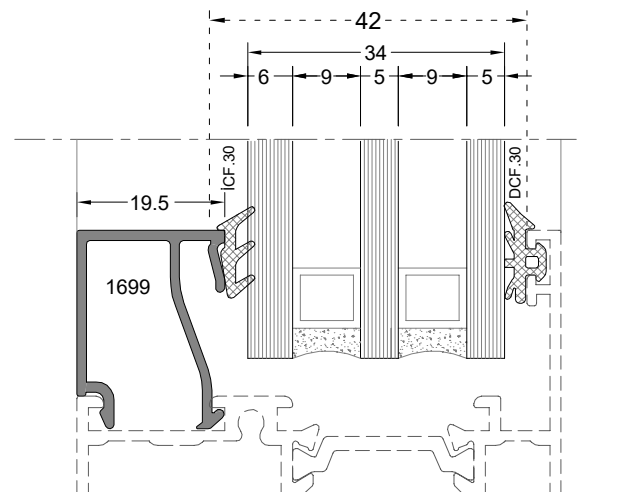
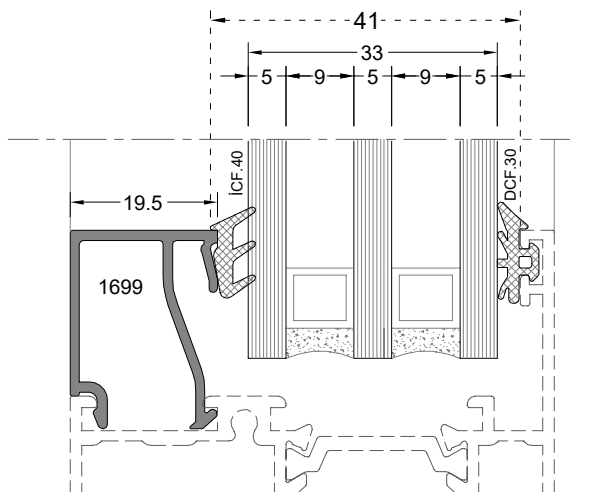
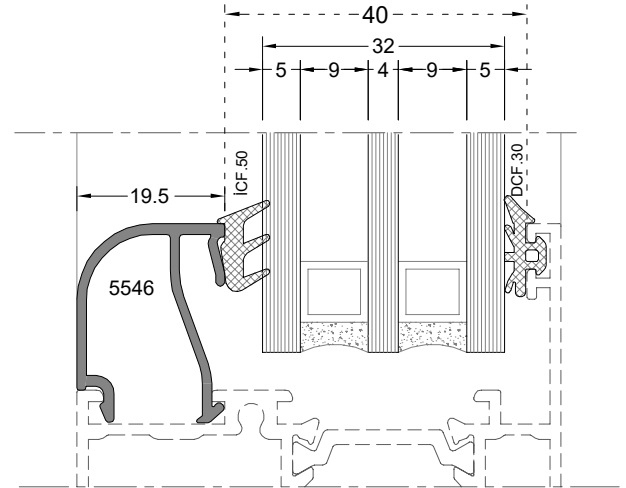
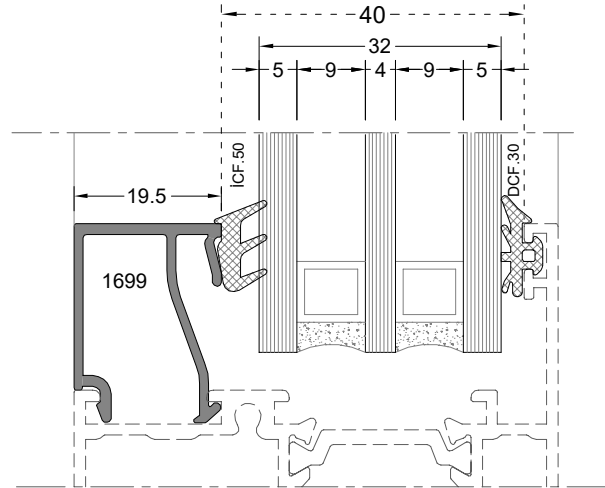
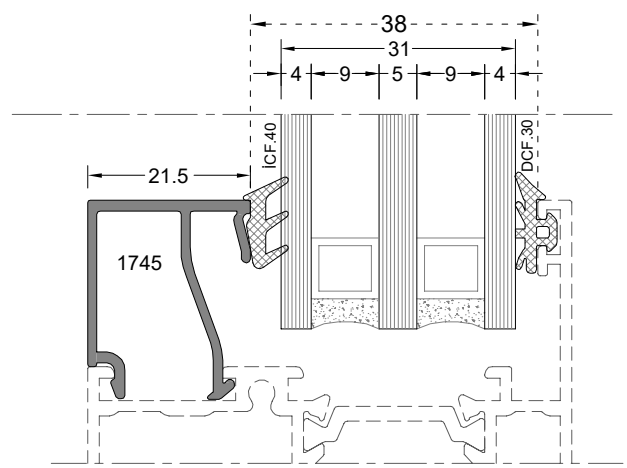
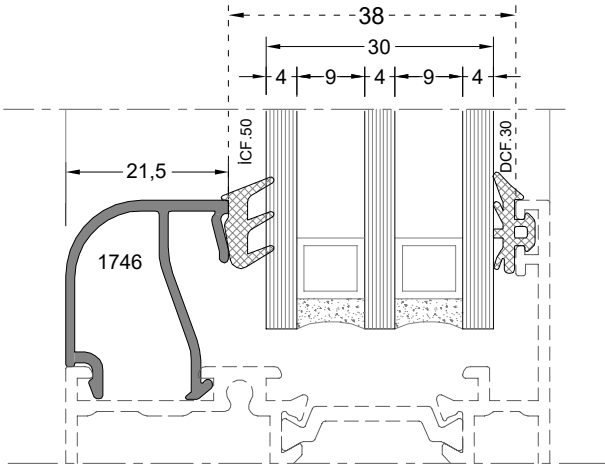
CAM ÇİTASI GLAZING BEAD	CAM ÇİTASI UZUNLUĞU GLAZING BEAD LENGTH	İÇ CAM FİTİLİ GLAZING GASKET(inside)	CAM KALINLIĞI GLASS THICKNESS	DIŞ CAM FİTİLİ GLAZING GASKET(outside)
(G)	(L)	(İ)	(T)	(O)
5527	25,5 mm	İCF.30	28 mm	DCF.30
1745	21,5 mm	İCF.50	29 mm	DCF.45
1745	21,5 mm	İCF.50	30 mm	DCF.30
1746	21,5 mm	İCF.50	30 mm	DCF.30
1745	21,5 mm	İCF.40	31 mm	DCF.30
1699	19,5 mm	İCF.50	32 mm	DCF.30
5546	19,5 mm	İCF.50	32 mm	DCF.30
1699	19,5 mm	İCF.40	33 mm	DCF.30
1699	19,5 mm	İCF.30	34 mm	DCF.30
3539	17 mm	İCF.40	35 mm	DCF.30
3539	17 mm	İCF.30	36 mm	DCF.30
1698	13,5 mm	İCF.50	37 mm	DCF.45
1698	13,5 mm	İCF.50	38 mm	DCF.30
1698	13,5 mm	İCF.40	39 mm	DCF.30
1698	13,5 mm	İCF.30	40 mm	DCF.30

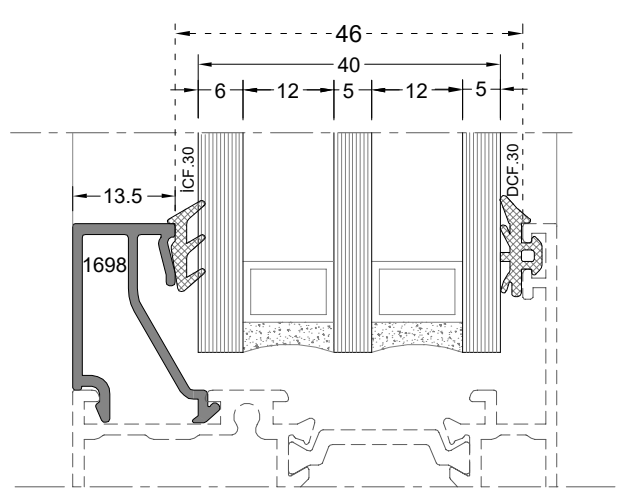
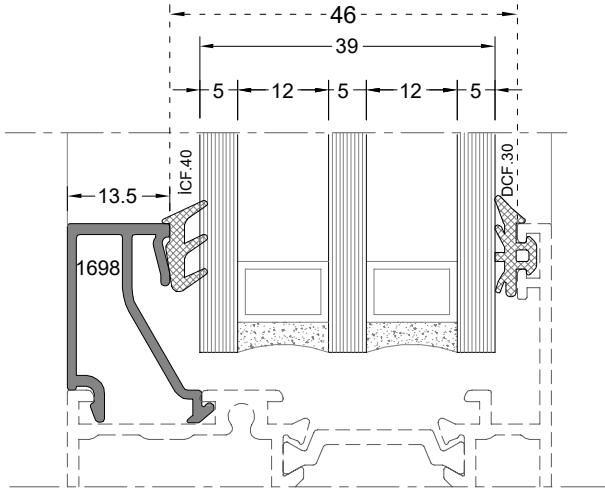
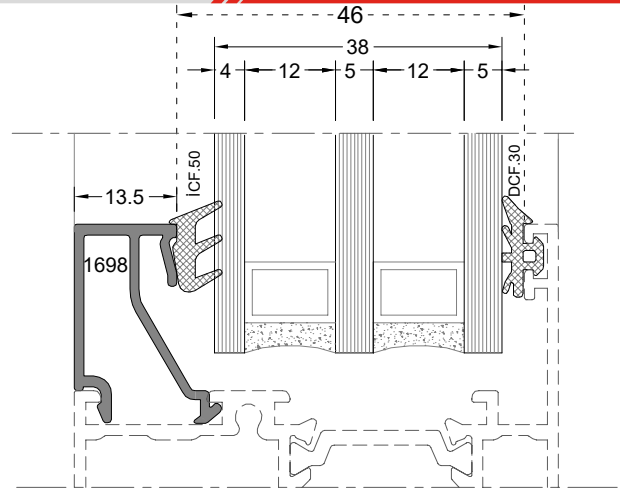
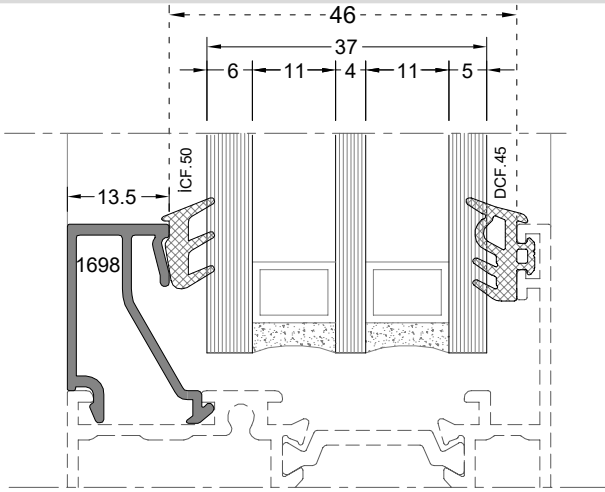


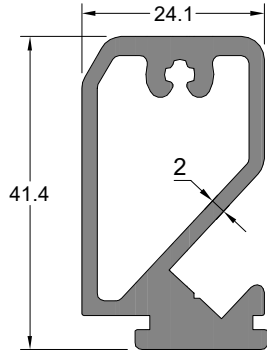




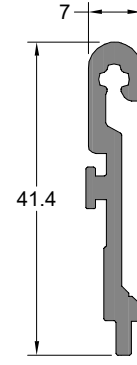






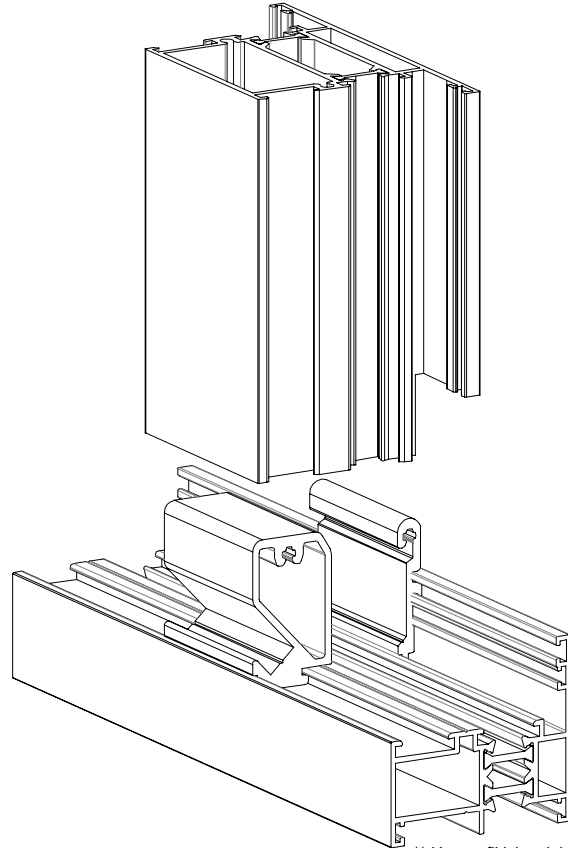
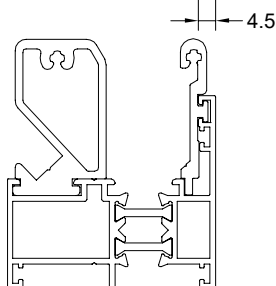
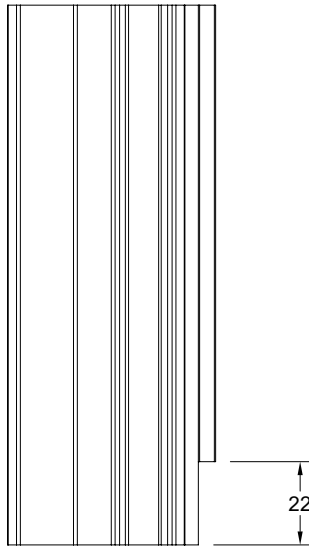


Orta Kayıt Bağlantı Profil MULLION CONNECTION PROFILE	Profil Kodu Profile Code 1773	(kg/mt) Weight 0,985
--	-------------------------------------	----------------------------



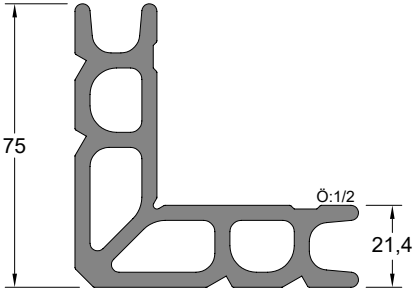
Orta Kayıt Bağlantı Profil MULLION CONNECTION PROFILE	Profil Kodu Profile Code 1774	(kg/mt) Weight 0,365
--	-------------------------------------	----------------------------

Orta Kayıt Bağlantı Profil Kodu Mullion Connection Profile Code	Stok Kodu Reference Code		Kullanıldığı Profil Compatible Profile	Kesim Boyu (mm) Cutting Length (mm)
1773 1774	OKB-1773-140	OKB-1774-140	1700-1716	14,00 mm
	OKB-1773-140	OKB-1774-140	1702-1761	14,00 mm
	OKB-1773-144	OKB-1774-144	3577-3576	14,40 mm
	OKB-1773-144	OKB-1774-144	3579-3578	14,40 mm
	OKB-1773-215	OKB-1774-215	1640-1641	21,50 mm
	OKB-1773-215	OKB-1774-215	6500-6501	21,50 mm
	OKB-1773-229	OKB-1774-229	5565-5564	22,90 mm
	OKB-1773-229	OKB-1774-229	5567-5566	22,90 mm
	OKB-1773-284	OKB-1774-284	3638-3637	28,40 mm
	OKB-1773-284	OKB-1774-284	3640-3639	28,40 mm
	OKB-1773-285	OKB-1774-285	1704-1717	28,50 mm
	OKB-1773-285	OKB-1774-285	1706-1718	28,50 mm
	OKB-1773-405	OKB-1774-405	1650-1651	40,50 mm
	OKB-1773-535	OKB-1774-535	4301-4300	53,50 mm
	OKB-1773-465	OKB-1774-465	5521-5522	46,50 mm
	OKB-1773-725	OKB-1774-725	1719-1720	72,50 mm
OKB-1773-285	OKB-1774-285	8007-1718	28,50 mm	
1773	OKB-1773-116,50		9788	166,50 mm
1774		OKB-1774-131,30	9789	131,30 mm



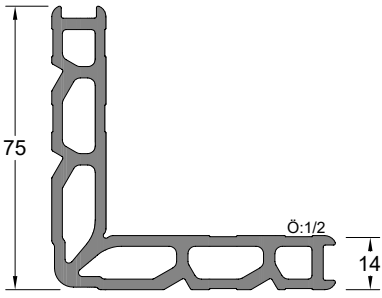
\*\* Her profil için minimum sipariş 300 kg'dır.  
\*\* Minimum order quantity is 300 kg per profile.





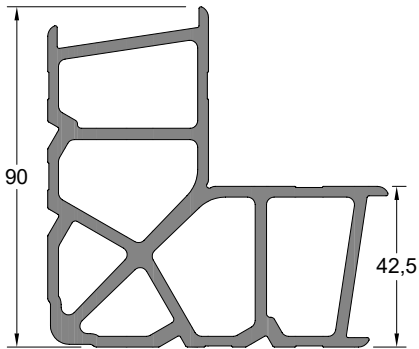
Köşe Takoz Profili	Profil Kodu	(kg/mt)
CORNER WEDGE PROFILE	Profile Code	Weight
	1661	3,629

Köşe Takozu Profil Kodu	Kullanıldığı Profil	Kesim Boyu (mm)
Corner Wedge Profile Code	Compatible Profile	Cutting Length (mm)
1661	1642	26,30 mm
	1643	6,30 mm
	3944	25,50 mm
	3945	5,50 mm
	6504	25,90 mm
	6505	5,90 mm
	5150	18,00 mm
	5160	17,50 mm
	8442	35,20 mm
	1640	24,00 mm
	1641	7,00 mm
	6500	24,40 mm
	6501	7,40 mm
	12807	8,00 mm
	12097	17,70 mm
12098	5,90 mm	



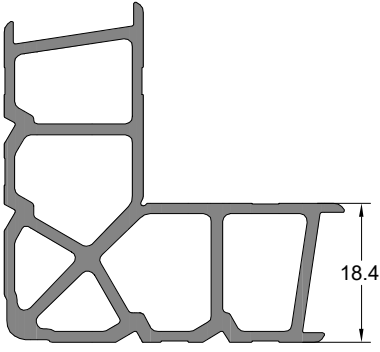
Köşe Takoz Profili	Profil Kodu	(kg/mt)
CORNER WEDGE PROFILE	Profile Code	Weight
	1662	2,576

Köşe Takozu Profil Kodu	Kullanıldığı Profil	Kesim Boyu (mm)
Corner Wedge Profile Code	Compatible Profile	Cutting Length (mm)
1662	1700 , 1937	25,00 mm
	1701	13,00 mm
	1702	24,00 mm
	1703	12,00 mm
	1768,1716,1936	8,00 mm
	1770 , 1761	7,00 mm
	1933	47,20 mm
	1932	25,20 mm
	1974 , 3578	7,40 mm
	1975 , 3579	24,40 mm
	1708	26,50 mm
	1709	6,50 mm
	1710	25,50 mm
	1711	5,50 mm
	3550	26,70 mm
	3551	6,70 mm
	3558	26,50 mm
	3559	6,50 mm
	3560 , 6502	25,90 mm
	3561 , 6503	5,90 mm
3576	8,20 mm	
3577	25,20 mm	



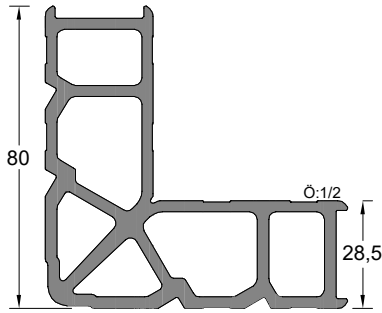
Köşe Takoz Profili	Profil Kodu	(kg/mt)
CORNER WEDGE PROFILE	Profile Code	Weight
	597	4,241

Köşe Takozu Profil Kodu	Kullanıldığı Profil	Kesim Boyu (mm)
Corner Wedge Profile Code	Compatible Profile	Cutting Length (mm)
597	5526	5,90 mm



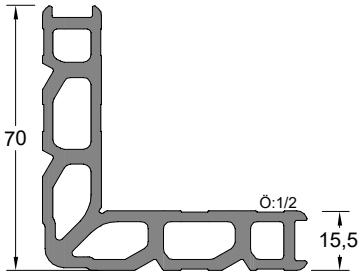
Köşe Takoz Profili CORNER WEDGE PROFILE	Profil Kodu Profile Code	(kg/mt) Weight
	1664	3,991

Köşe Takozu Profil Kodu Corner Wedge Profile Code	Kullanıldığı Profil Compatible Profile	Kesim Boyu (mm) Cutting Length (mm)
1664	1737	7,40 mm
	1738	21,00 mm
	1740	29,40 mm



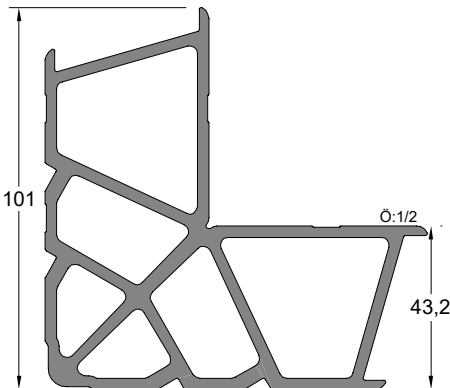
Köşe Takoz Profili CORNER WEDGE PROFILE	Profil Kodu Profile Code	(kg/mt) Weight
	1663	3,526

Köşe Takozu Profil Kodu Corner Wedge Profile Code	Kullanıldığı Profil Compatible Profile	Kesim Boyu (mm) Cutting Length (mm)
1663	1704,1973,5393	25,00 mm
	1705	13,00 mm
	1706 , 2288	24,00 mm
	1707	12,00 mm
	1769,1717,1718,1972	8,00 mm
	1771	7,00 mm
	7110,3640	24,40 mm
	7111	7,40 mm
	1707	12,00 mm
	3566	25,90 mm
	1713,3565,1728	6,50 mm
	1714	25,50 mm
	1715	5,50 mm
	3567	5,90 mm
	1739,3639	7,40 mm
	3638	25,20 mm
	3637	8,20 mm
3564,1712,1729	26,5 mm	
8443	5,7 mm	



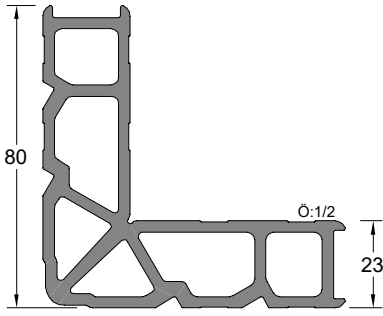
Köşe Takoz Profili CORNER WEDGE PROFILE	Profil Kodu Profile Code	(kg/mt) Weight
	1695	2,540

Köşe Takozu Profil Kodu Corner Wedge Profile Code	Kullanıldığı Profil Compatible Profile	Kesim Boyu (mm) Cutting Length (mm)
1695	5568	36,20 mm
	5570	35,20 mm
	5573	26,70 mm
	5571	18,00 mm
	5588	17,70 mm
	5130	25,00 mm
	5131	8,00 mm
	1763	17,5 mm
	1762	8,00 mm

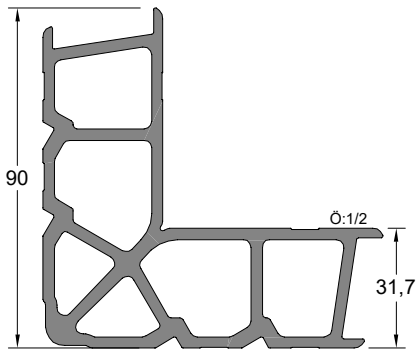


Köşe Takoz Profili CORNER WEDGE PROFILE	Profil Kodu Profile Code	(kg/mt) Weight
	3698	4,604

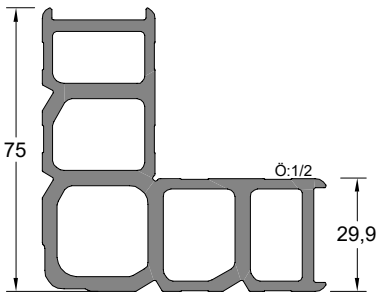
Köşe Takozu Profil Kodu Corner Wedge Profile Code	Kullanıldığı Profil Compatible Profile	Kesim Boyu (mm) Cutting Length (mm)
3698	5162	22,50 mm
	5576	23,30 mm
	5574 , 5585	26,30 mm



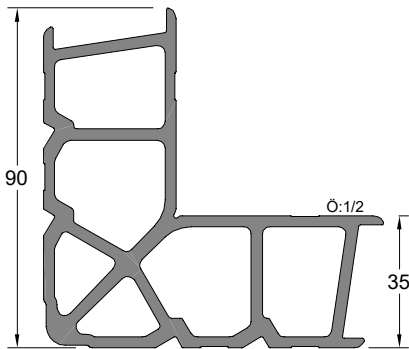
Köşe Takoz Profili	Profil Kodu	(kg/mt)
CORNER WEDGE PROFILE	Profile Code	Weight
	3546	3,357



Köşe Takoz Profili	Profil Kodu	(kg/mt)
CORNER WEDGE PROFILE	Profile Code	Weight
	7022	3,952



Köşe Takoz Profili	Profil Kodu	(kg/mt)
CORNER WEDGE PROFILE	Profile Code	Weight
	1696	3,340



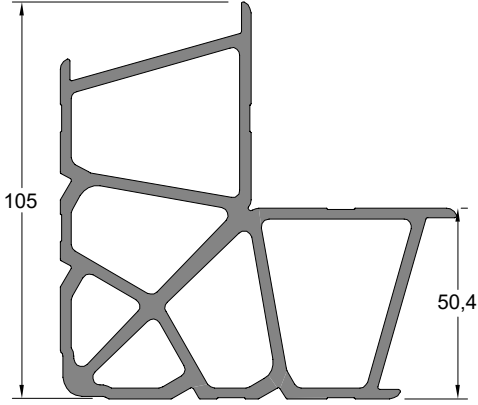
Köşe Takoz Profili	Profil Kodu	(kg/mt)
CORNER WEDGE PROFILE	Profile Code	Weight
	7040	3,998

Köşe Takozu Profil Kodu	Kullanıldığı Profil	Kesim Boyu (mm)
Corner Wedge Profile Code	Compatible Profile	Cutting Length (mm)
3546	5551,5565	25,20 mm
	5550,2820,5564	8,20 mm
	5555	16,90 mm
	5553,5567	24,40 mm
	5552,5153,5566	7,40 mm
	5152	24,60 mm
	5159	24,50 mm
	3562	26,50 mm
	3563	6,50 mm
	5556	26,70 mm
	5558	17,70 mm
	5559,5589	5,90 mm
	5569,5572,5557	6,70 mm
5554	17,70 mm	

Köşe Takozu Profil Kodu	Kullanıldığı Profil	Kesim Boyu (mm)
Corner Wedge Profile Code	Compatible Profile	Cutting Length (mm)
7022	3549	24,40 mm
	3548	7,40 mm

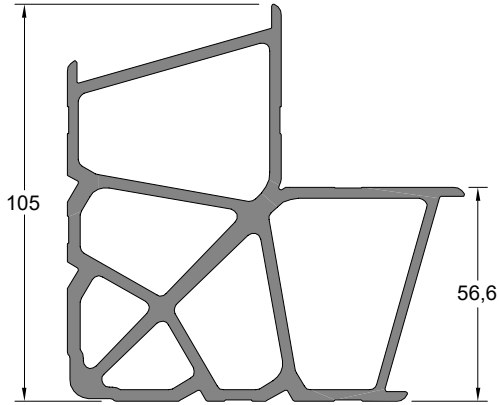
Köşe Takozu Profil Kodu	Kullanıldığı Profil	Kesim Boyu (mm)
Corner Wedge Profile Code	Compatible Profile	Cutting Length (mm)
1696	5151	6,5 mm
	5161	5,5 mm

Köşe Takozu Profil Kodu	Kullanıldığı Profil	Kesim Boyu (mm)
Corner Wedge Profile Code	Compatible Profile	Cutting Length (mm)
7040	5525	25,90 mm



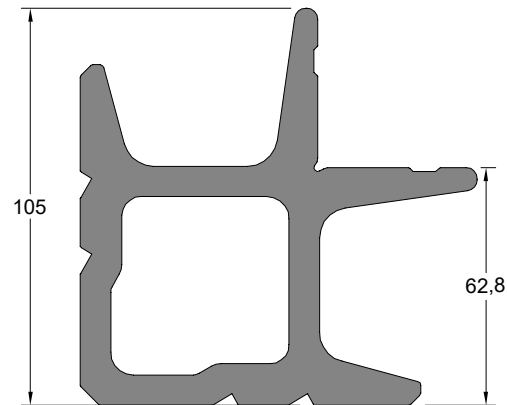
Köşe Takoz Profili CORNER WEDGE PROFILE	Profil Kodu Profile Code	(kg/mt) Weight
	3547	4,884

Köşe Takozu Profil Kodu Corner Wedge Profile Code	Kullanıldığı Profil Compatible Profile	Kesim Boyu (mm) Cutting Length (mm)
3547	5163	5,50 mm
	5575	6,30 mm
	5577	6,30 mm
	5586	6,30 mm



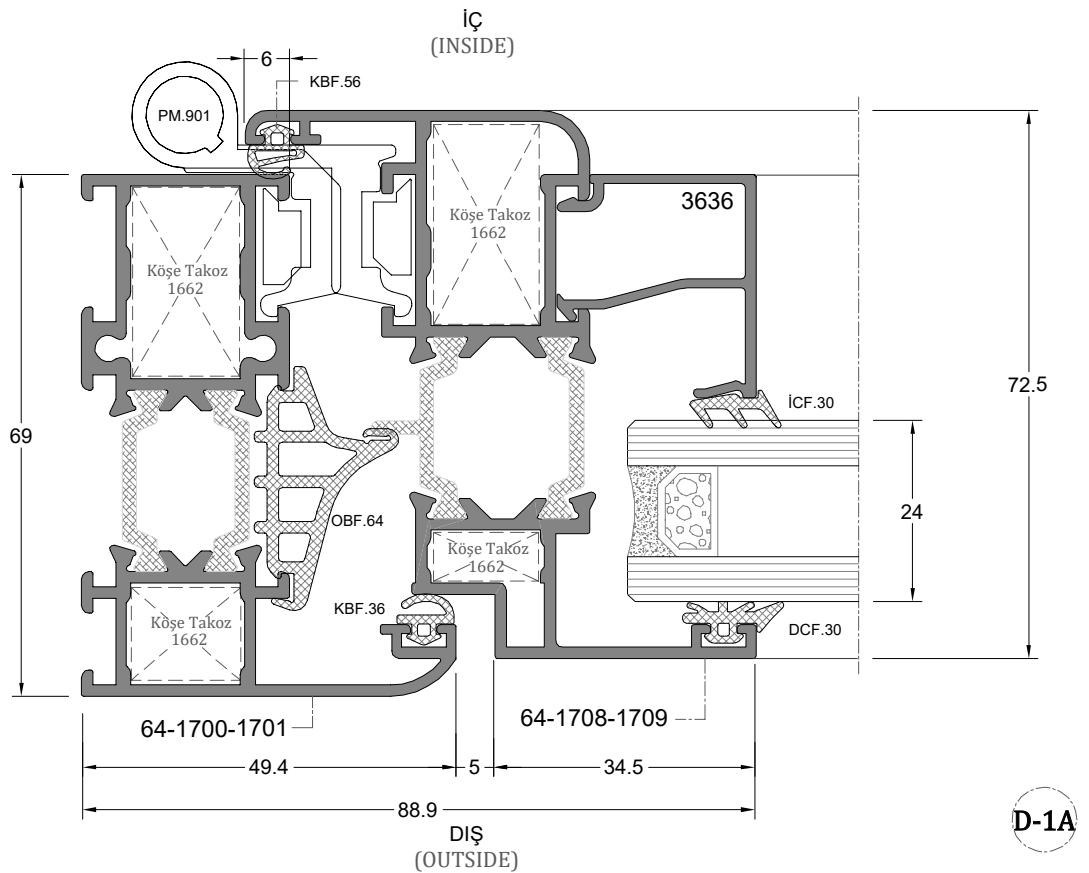
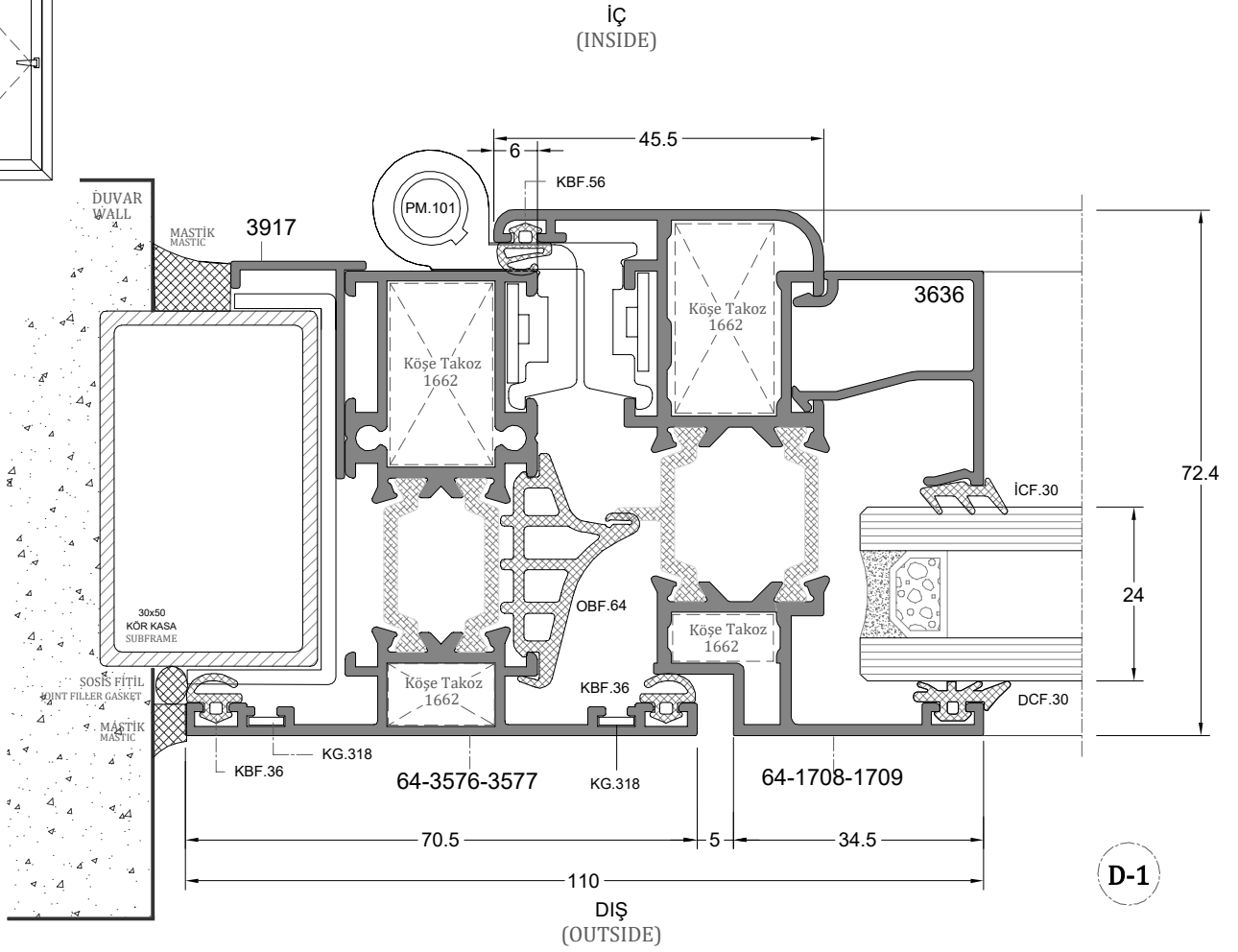
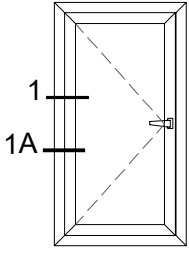
Köşe Takoz Profili CORNER WEDGE PROFILE	Profil Kodu Profile Code	(kg/mt) Weight
	1398	5,089

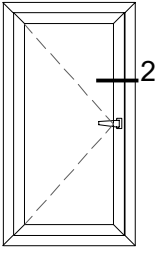
Köşe Takozu Profil Kodu Corner Wedge Profile Code	Kullanıldığı Profil Compatible Profile	Kesim Boyu (mm) Cutting Length (mm)
1398	1724	25,50 mm
	1725,1951	5,50 mm
	3568,4303	26,30 mm
	3569,4360,4304	6,30 mm
	3570	25,90 mm
	3571,3575	5,90 mm
	1950	22,50 mm
	3574	22,90 mm
	4359	26,30 mm
1741	7,40 mm	



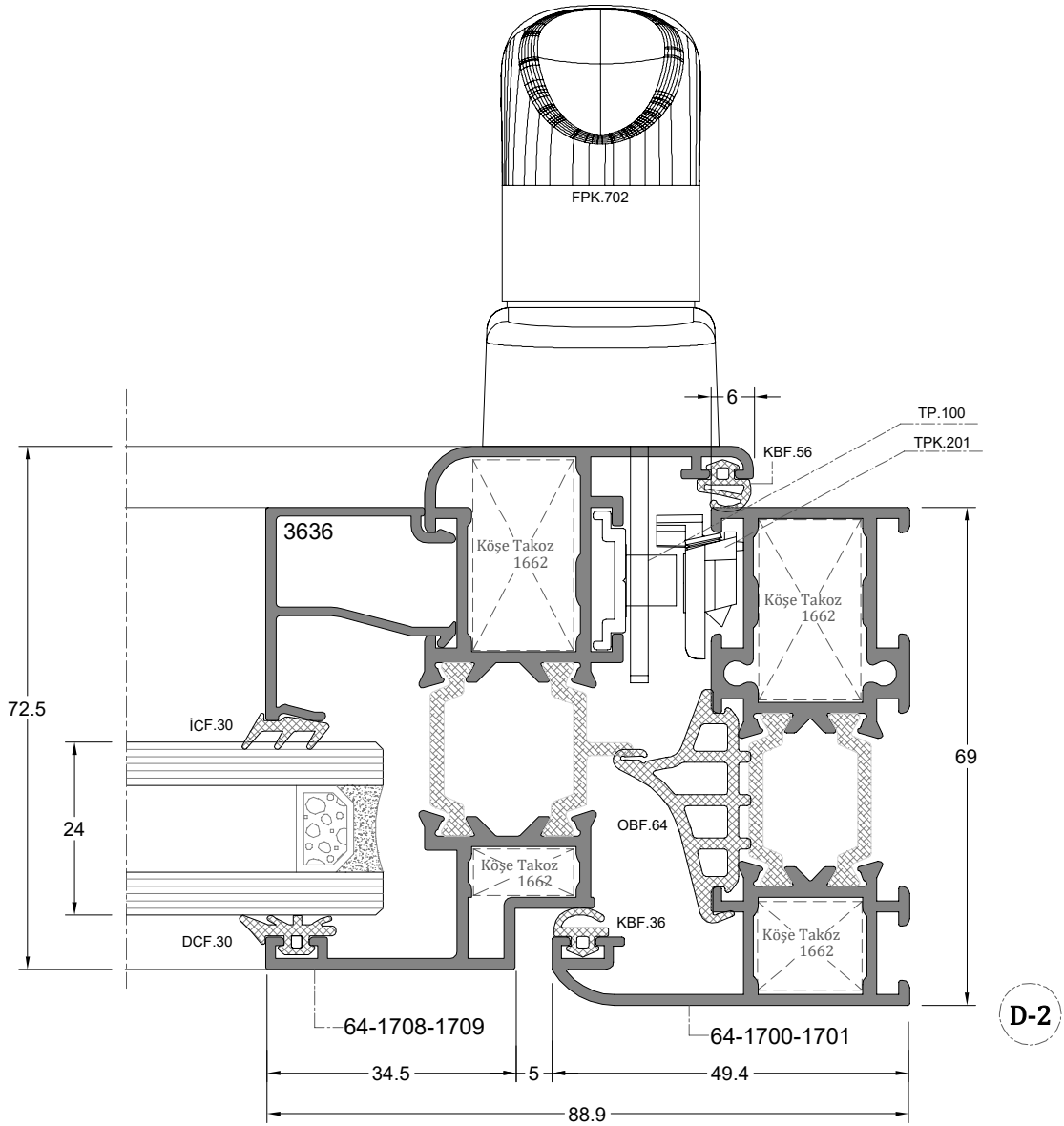
Köşe Takoz Profili CORNER WEDGE PROFILE	Profil Kodu Profile Code	(kg/mt) Weight
	1760	8,436

Köşe Takozu Profil Kodu Corner Wedge Profile Code	Kullanıldığı Profil Compatible Profile	Kesim Boyu (mm) Cutting Length (mm)
1760	1744	20,9 mm
	1743	7,50 mm
	1742	29,5 mm

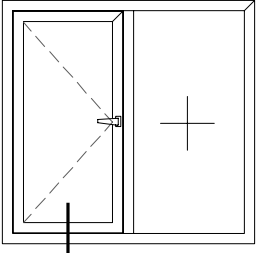




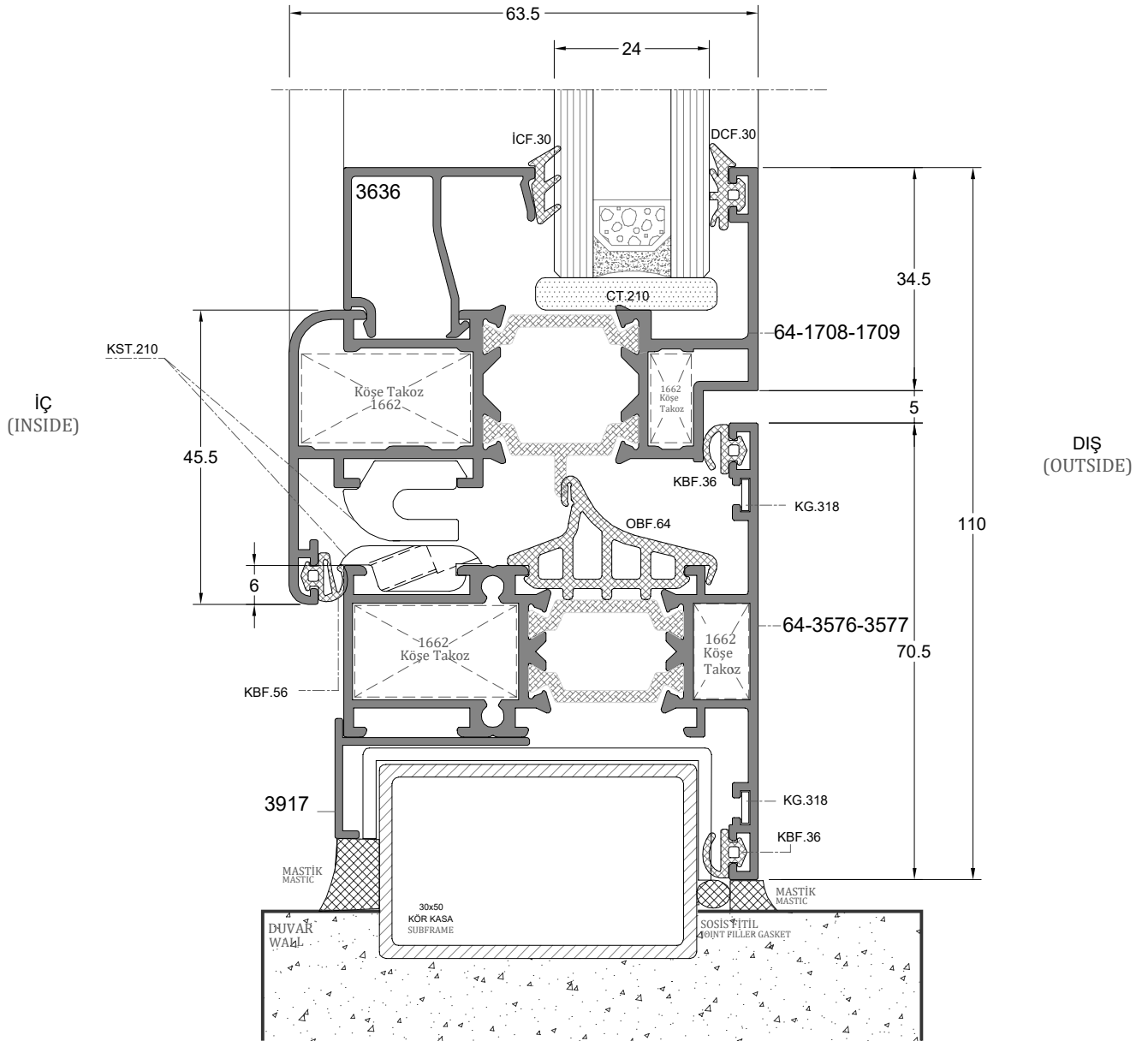
İÇ  
(INSIDE)



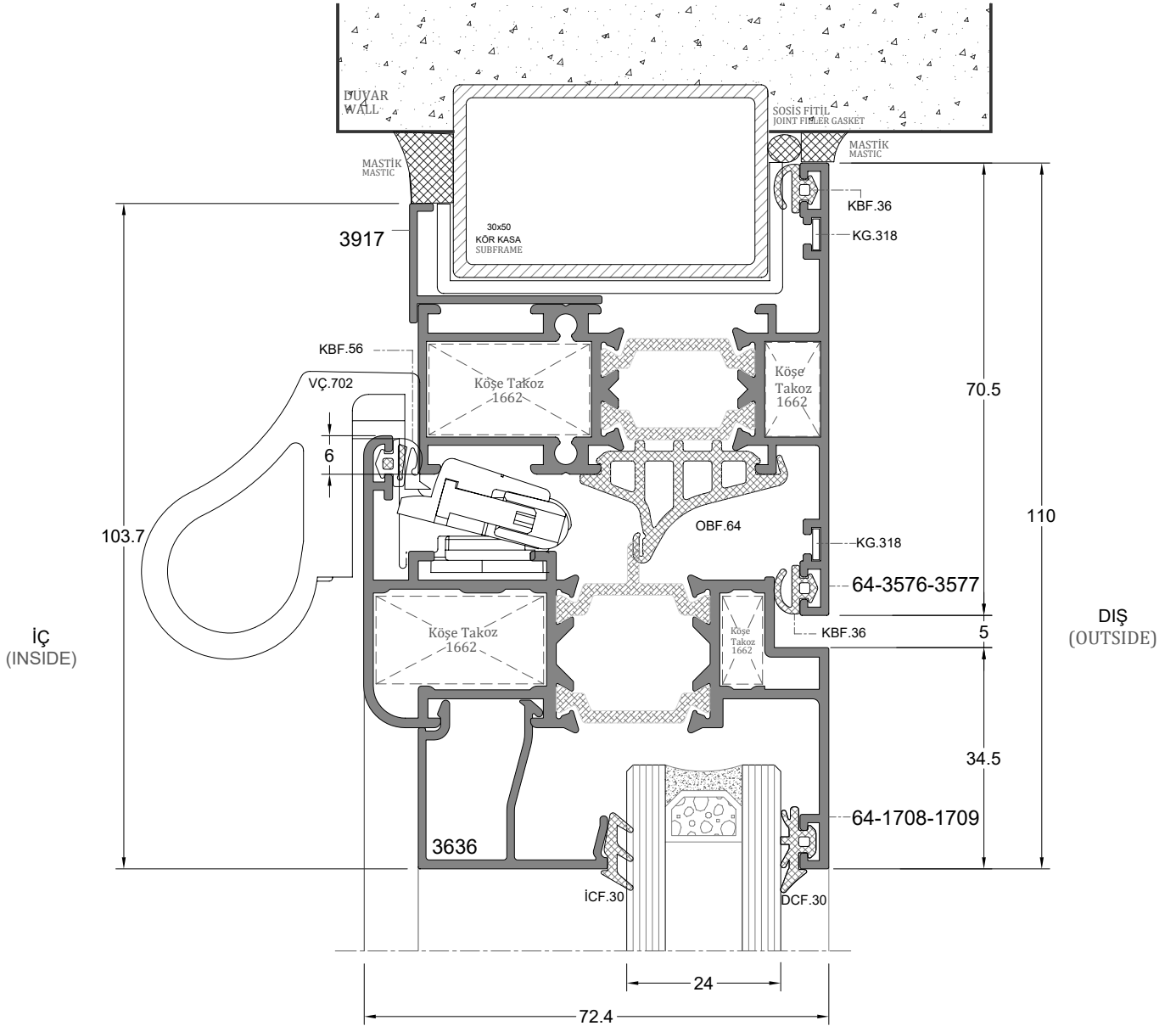
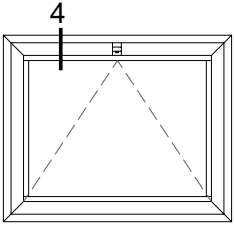
DIŞ  
(OUTSIDE)



3

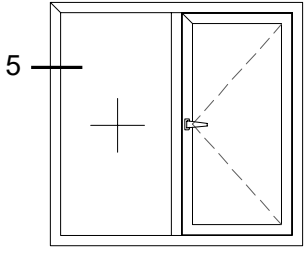


D-3

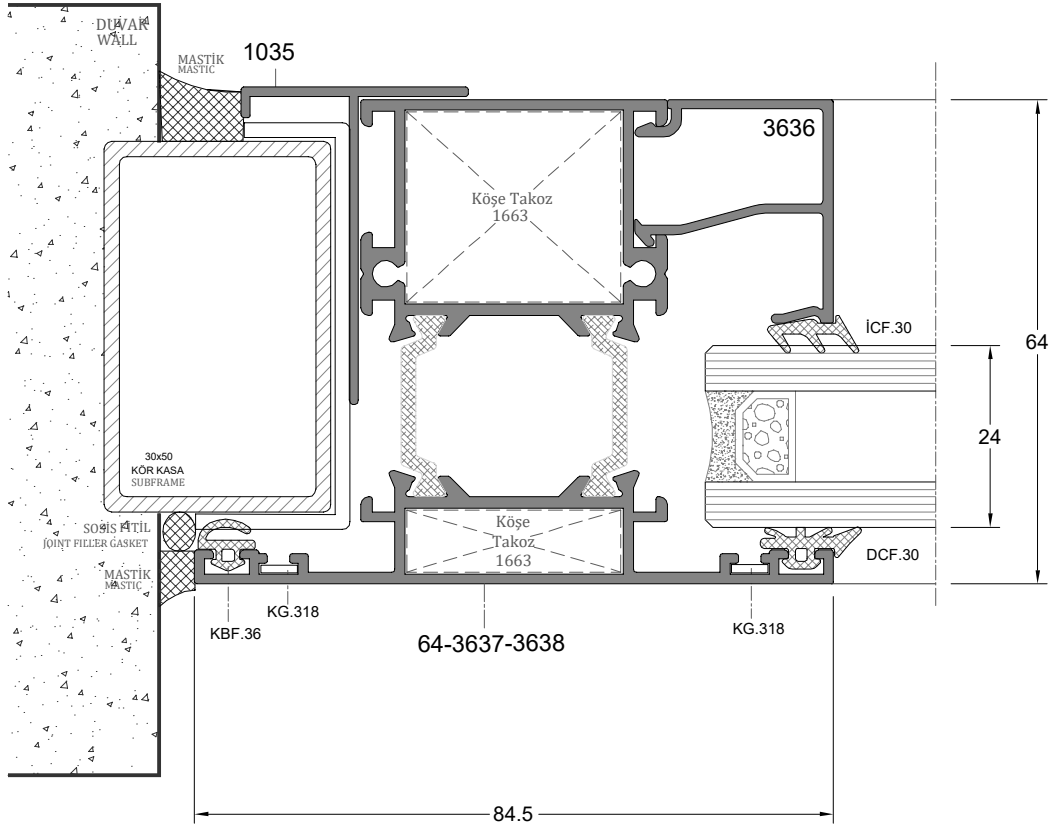


D-4



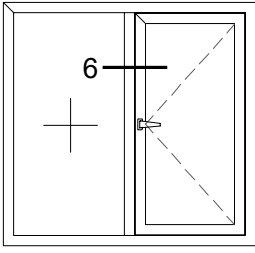


İÇ  
(INSIDE)

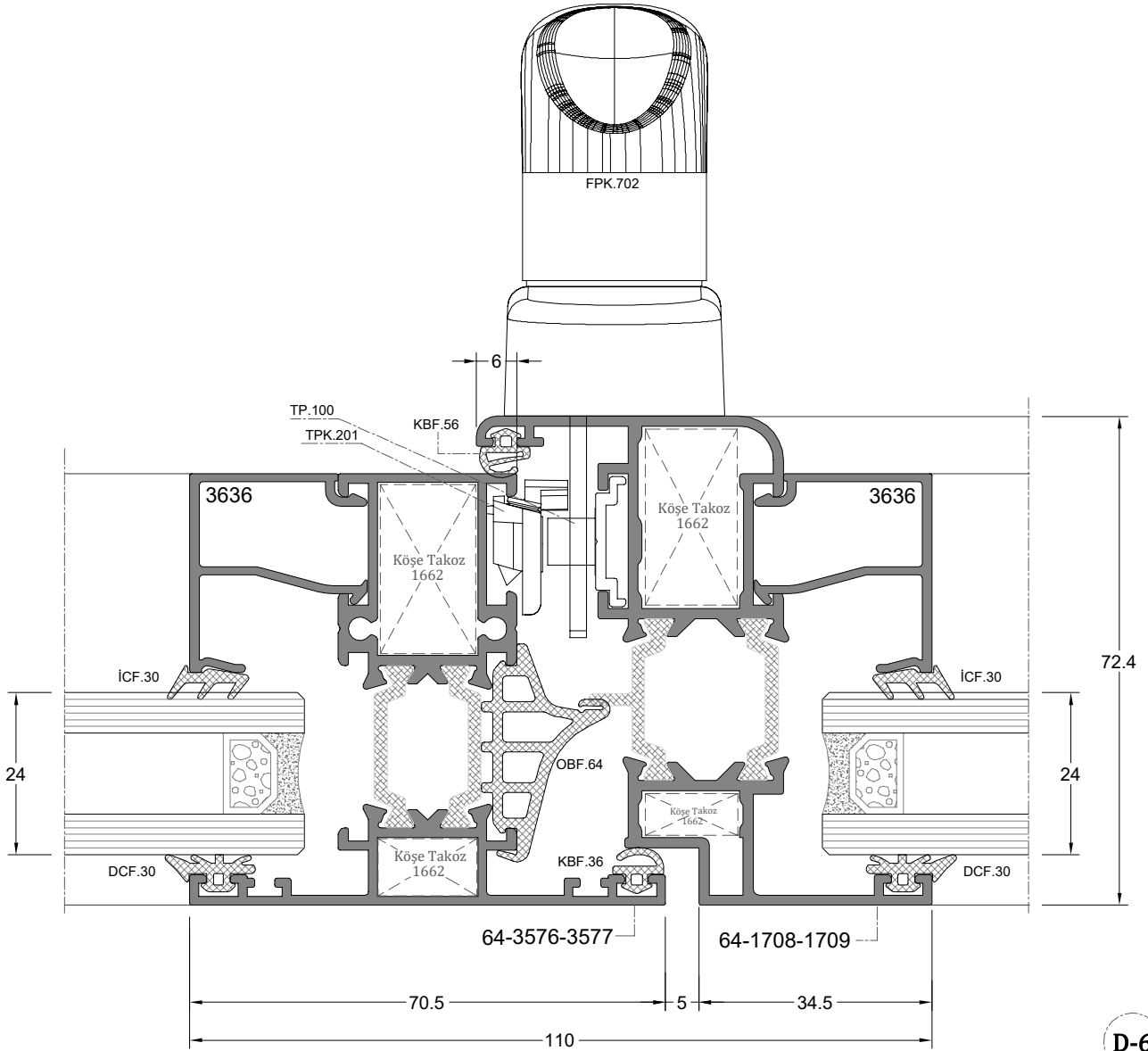


DIŞ  
(OUTSIDE)

D-5

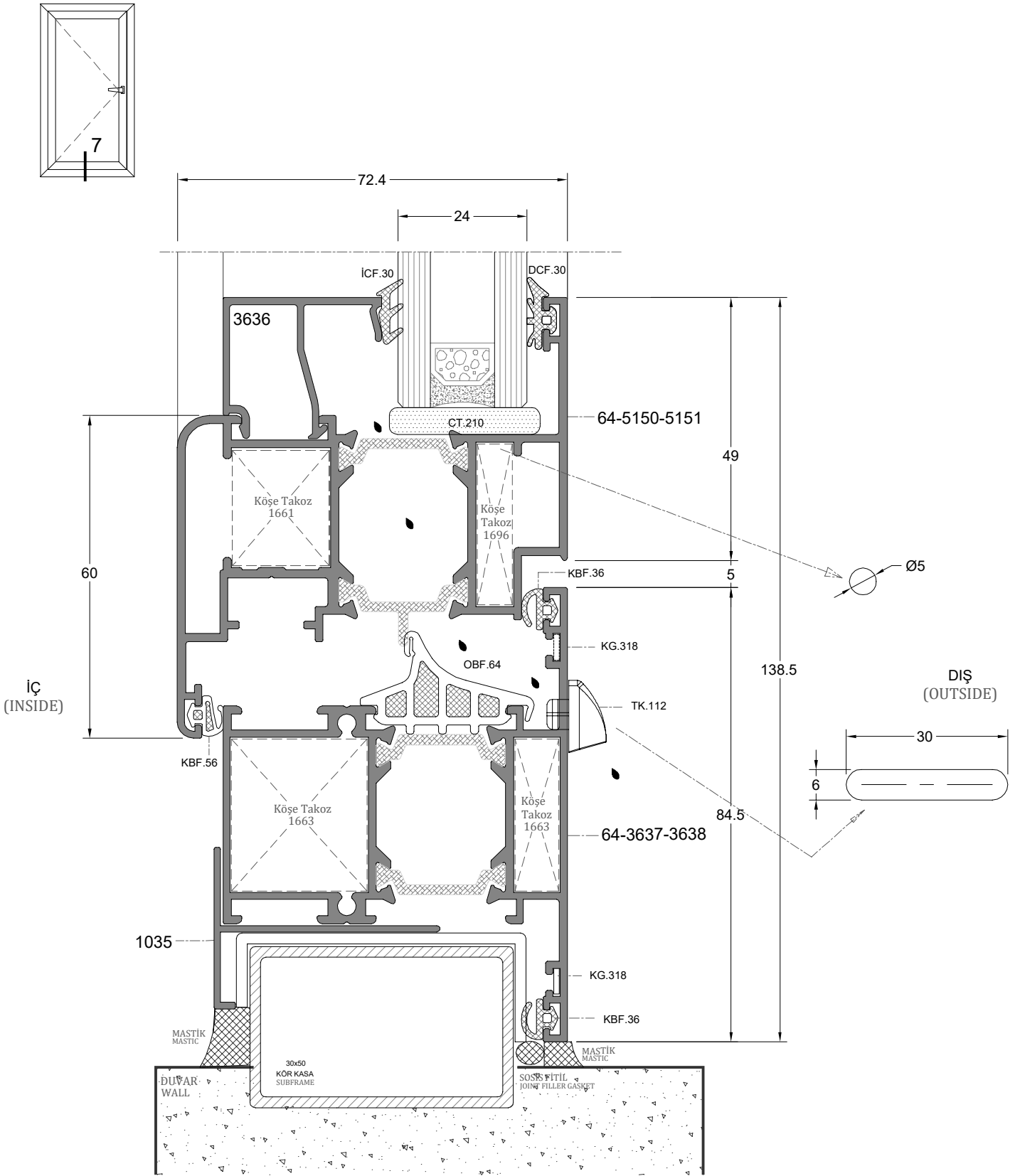


İÇ  
(INSIDE)

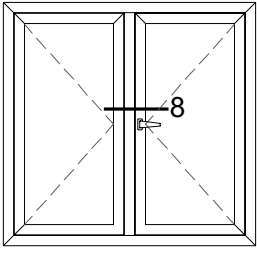


DIŞ  
(OUTSIDE)

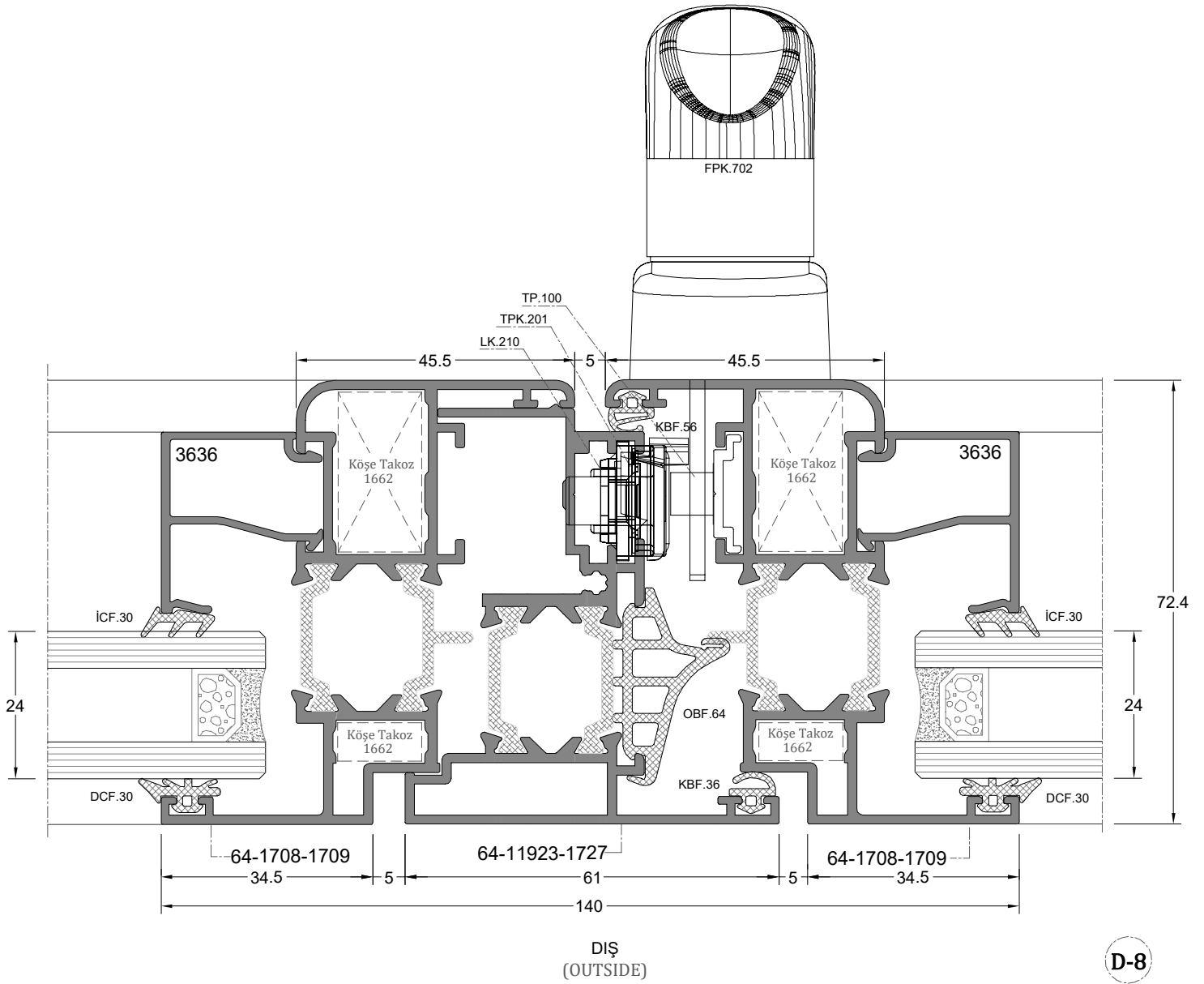
D-6



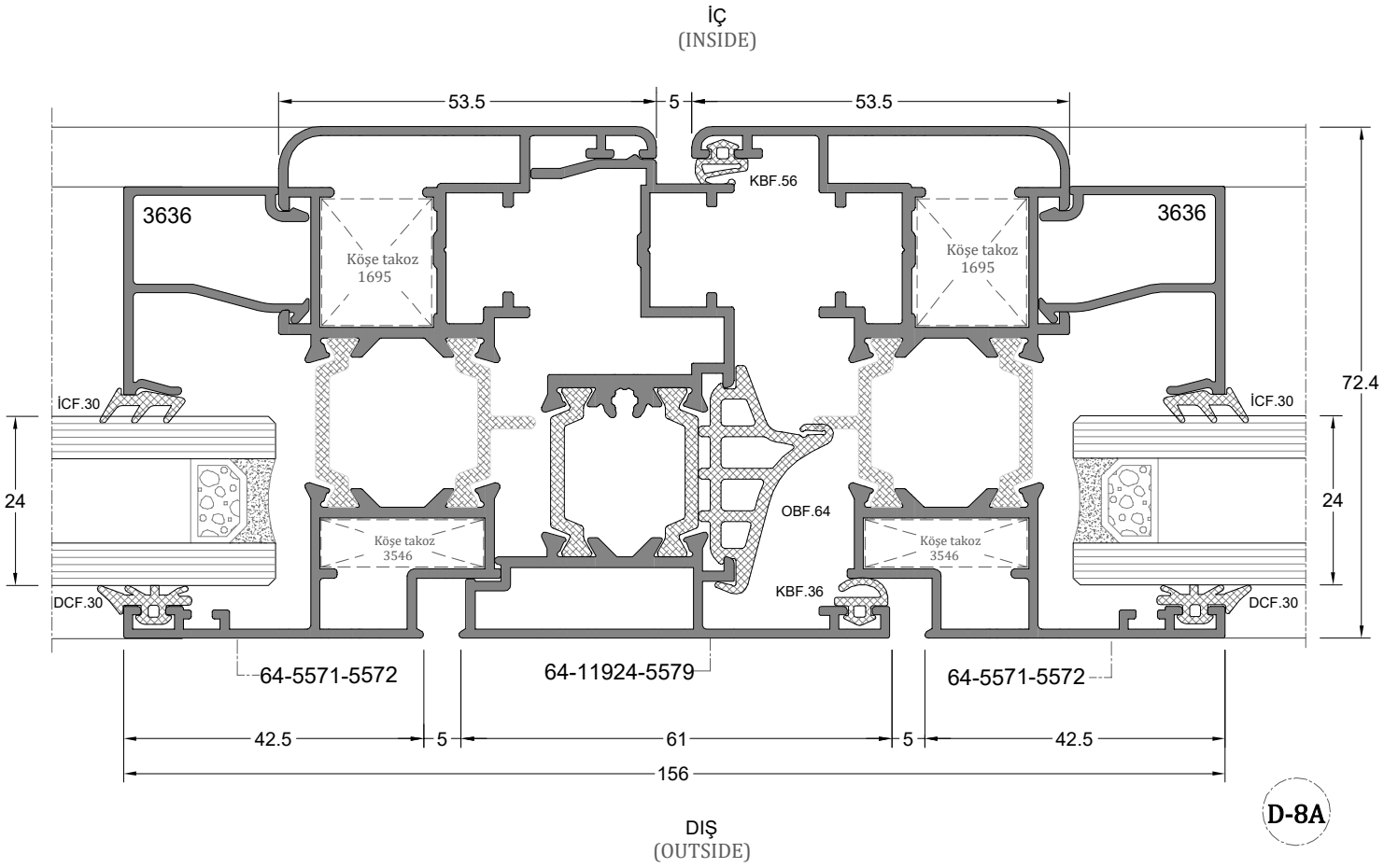
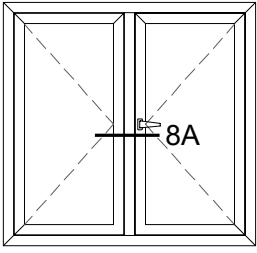
D-7

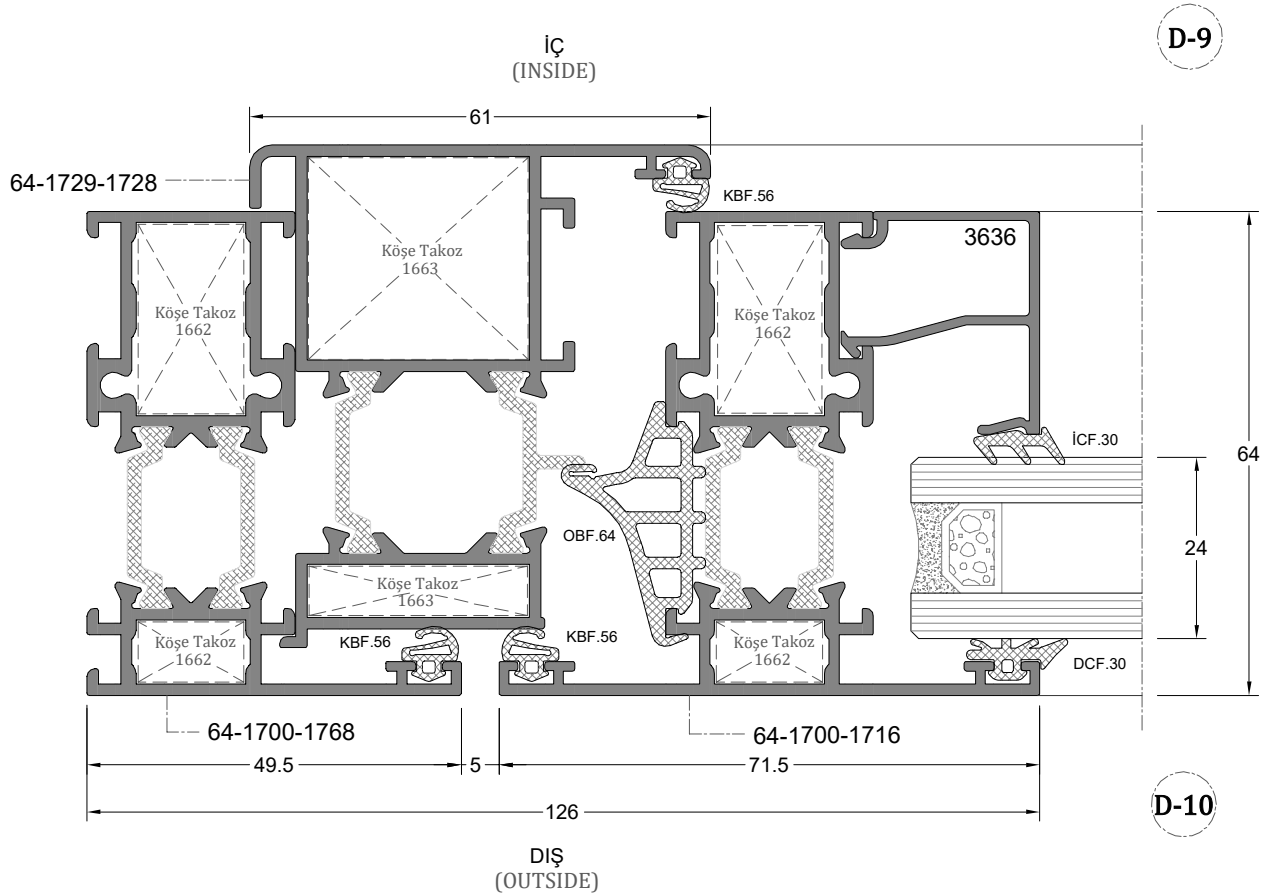
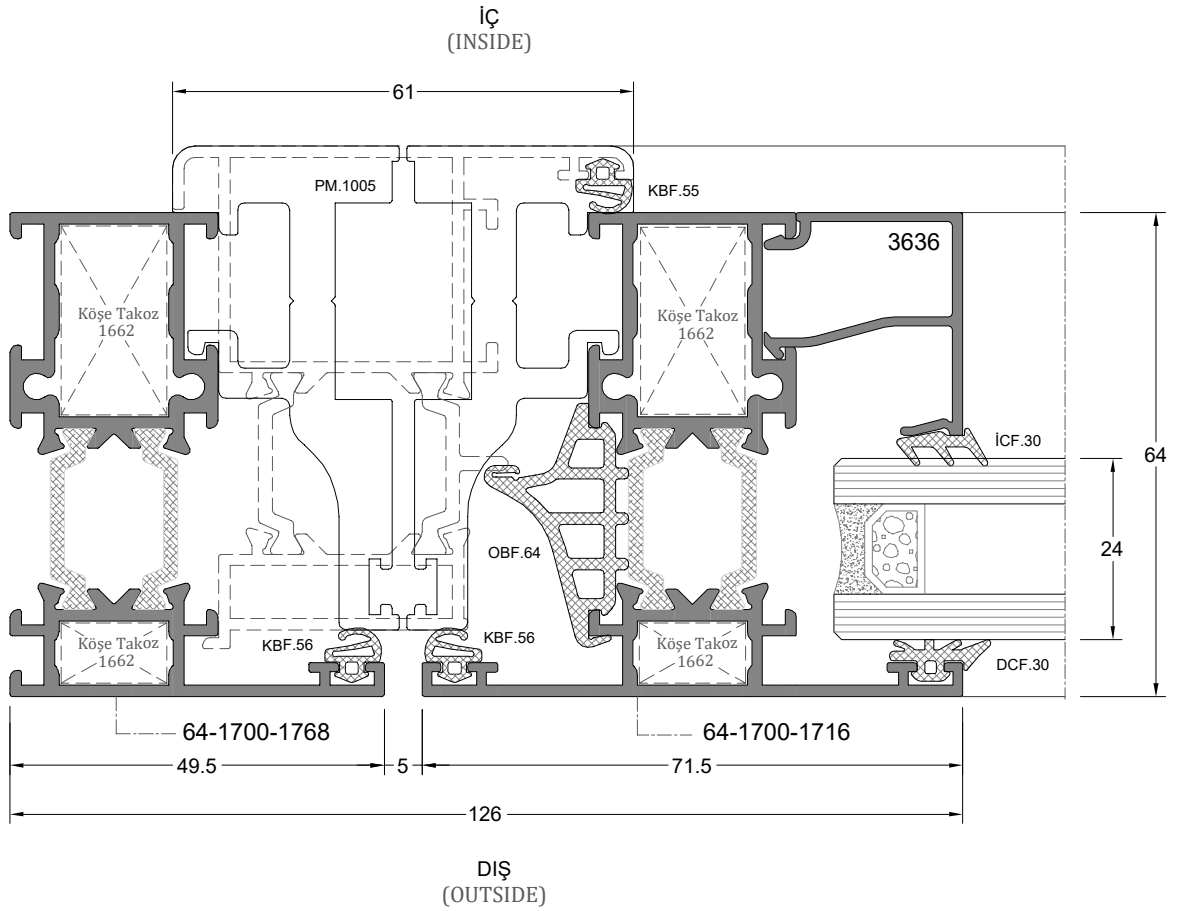
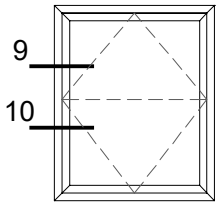


İÇ  
(INSIDE)



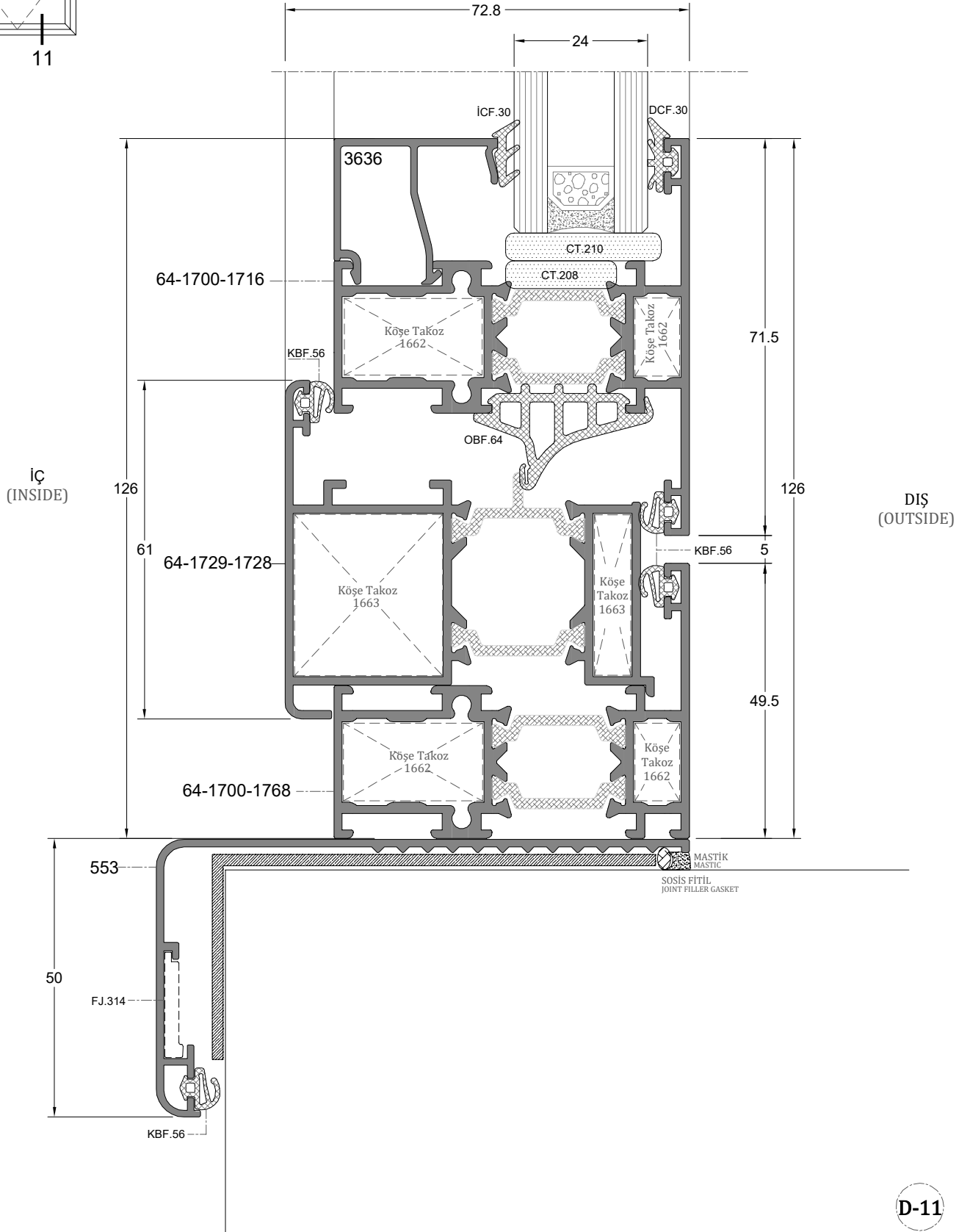
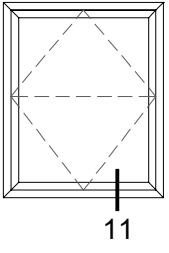
D-8



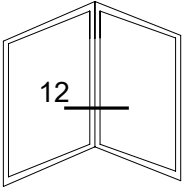


D-9

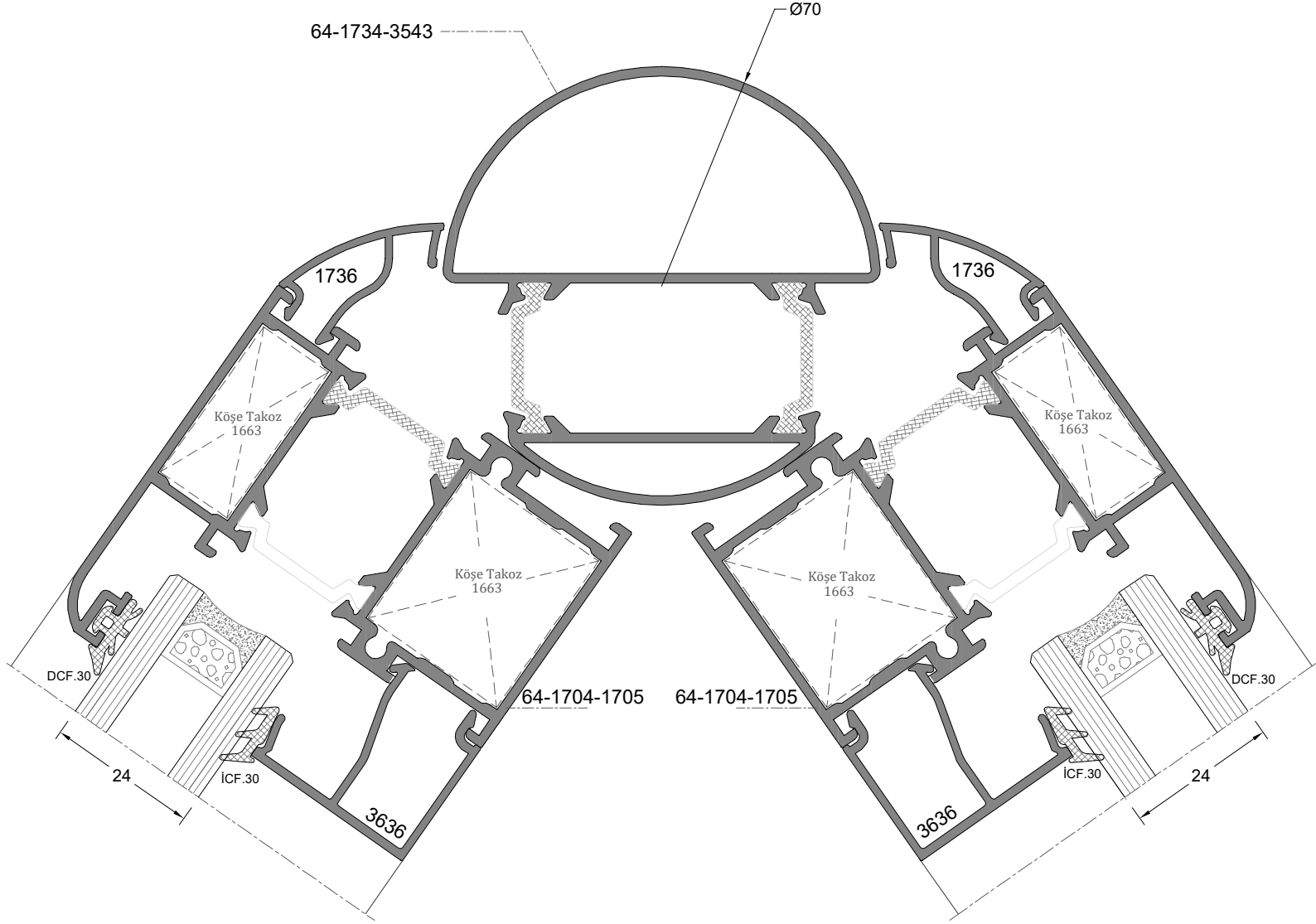
D-10



**D-11**



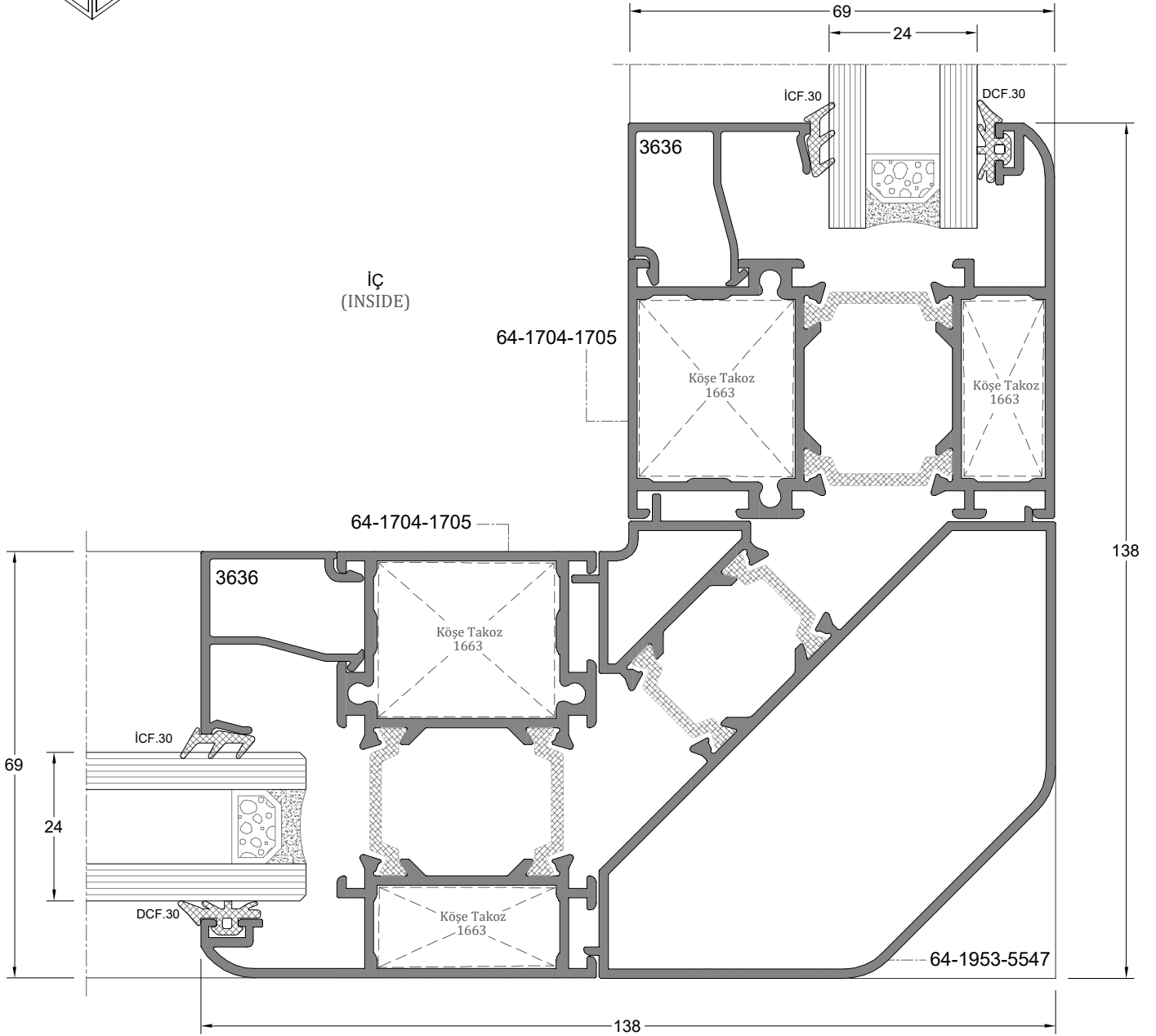
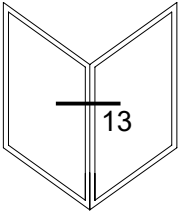
DIŞ  
(OUTSIDE)



İÇ  
(INSIDE)

D-12

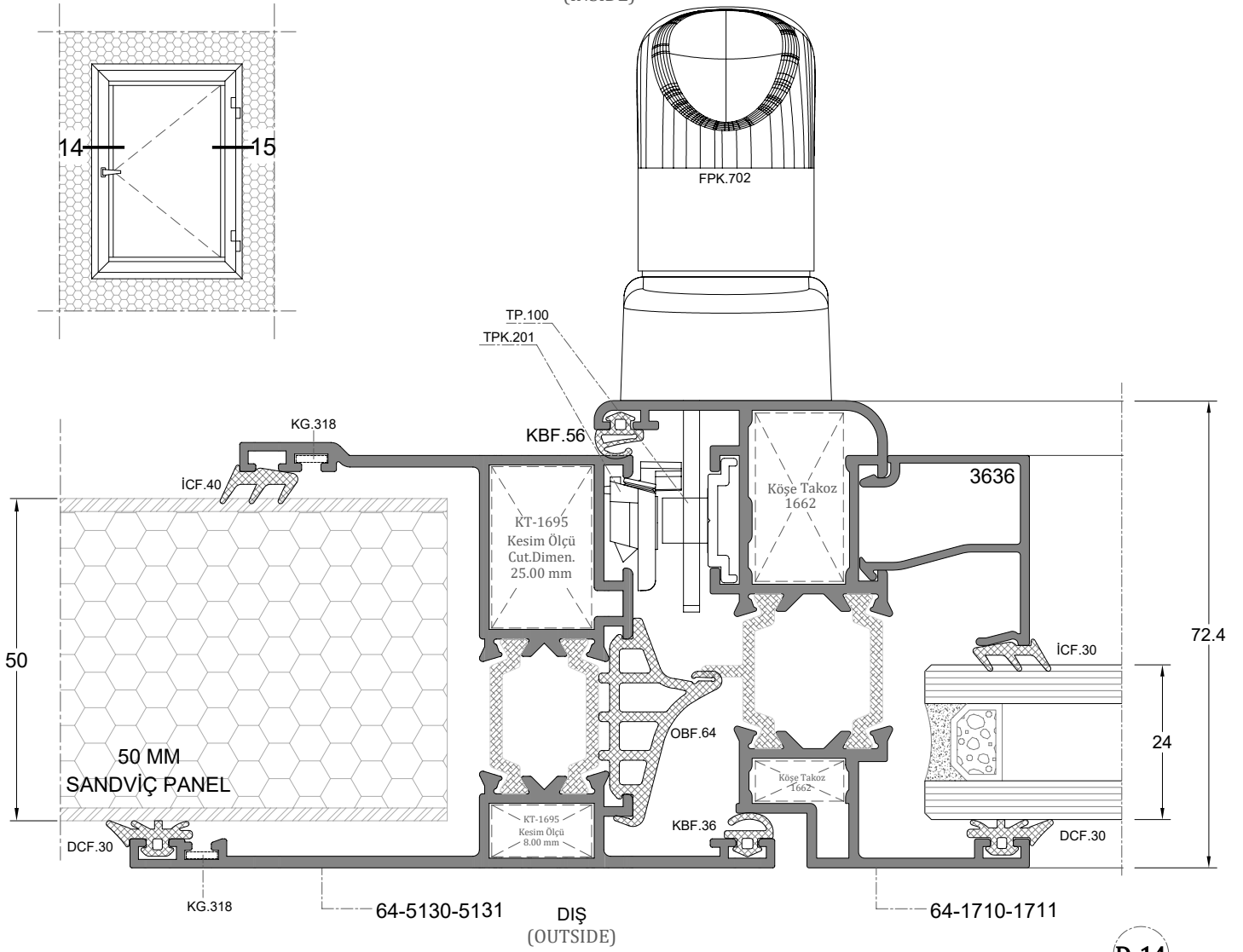




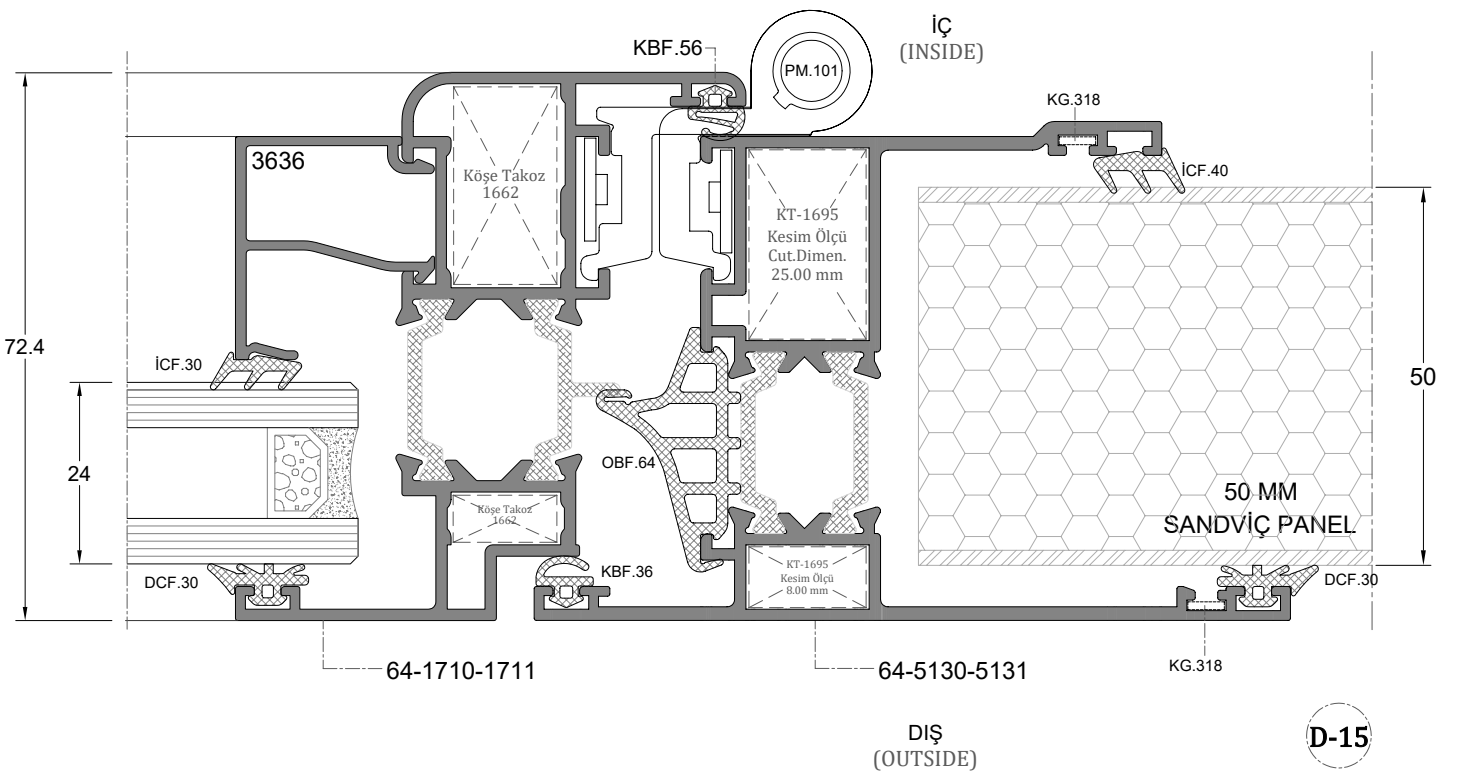
D-13

DIŞ  
(OUTSIDE)

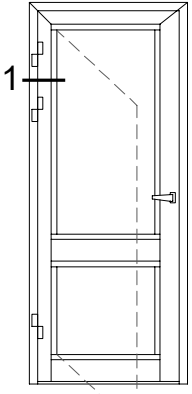
İÇ  
(INSIDE)



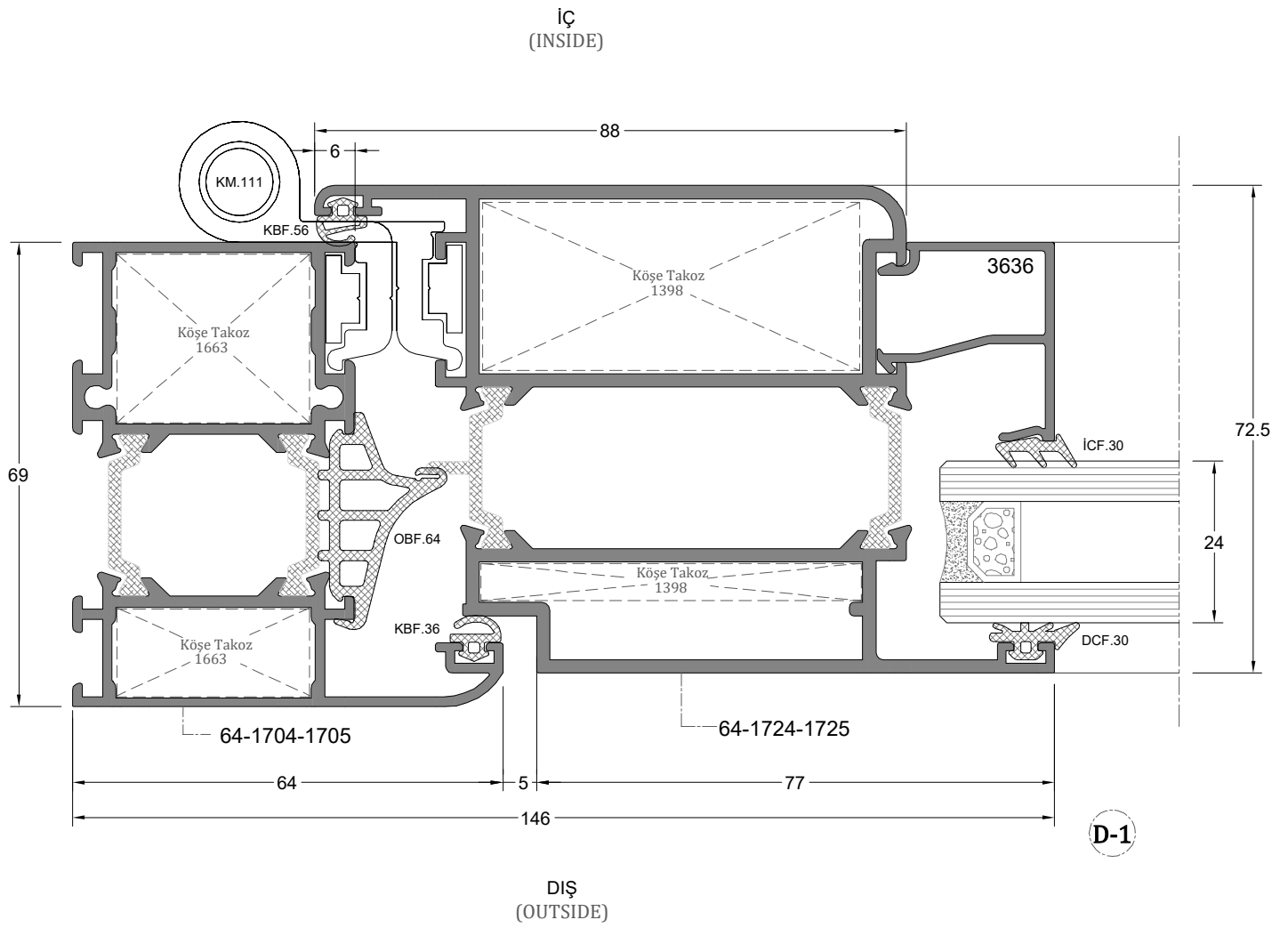
D-14

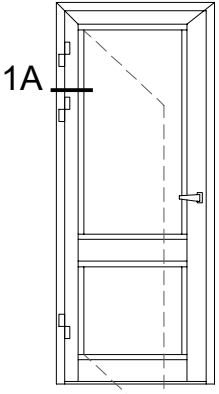


D-15

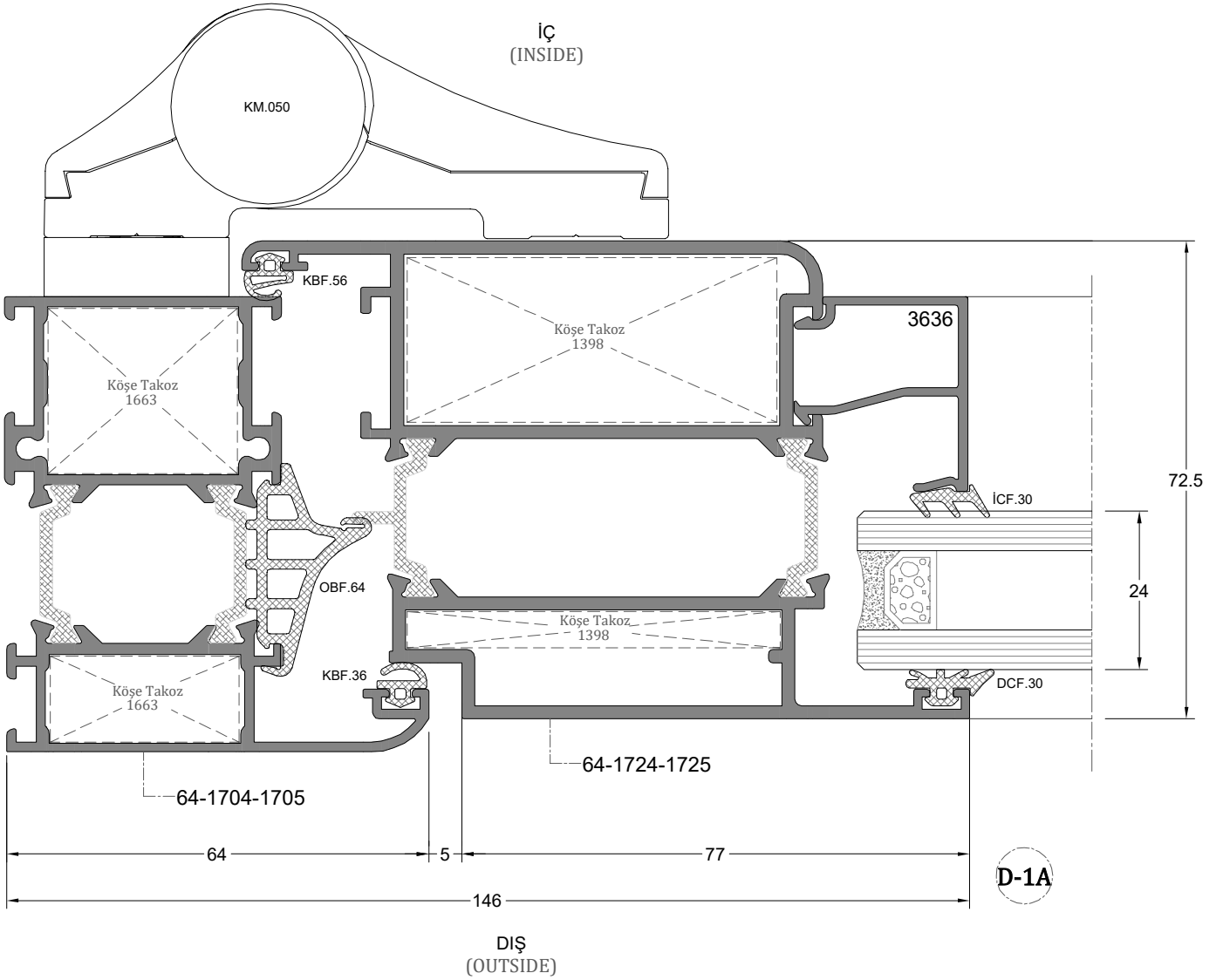


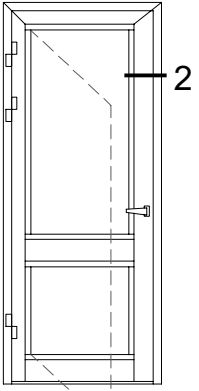
**BİNİLİ KAPI DETAY**  
OVERLAPPING DOOR DETAIL



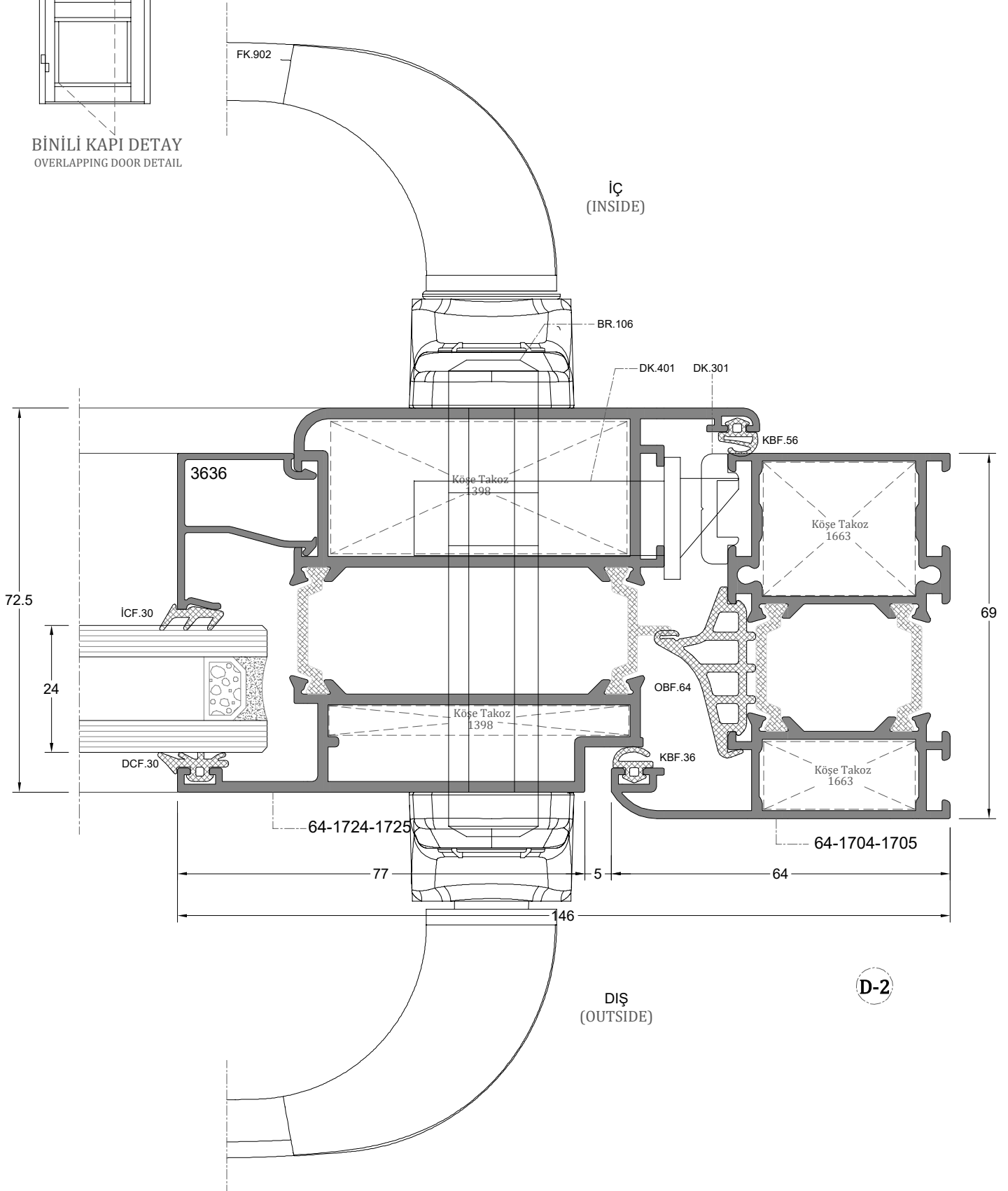


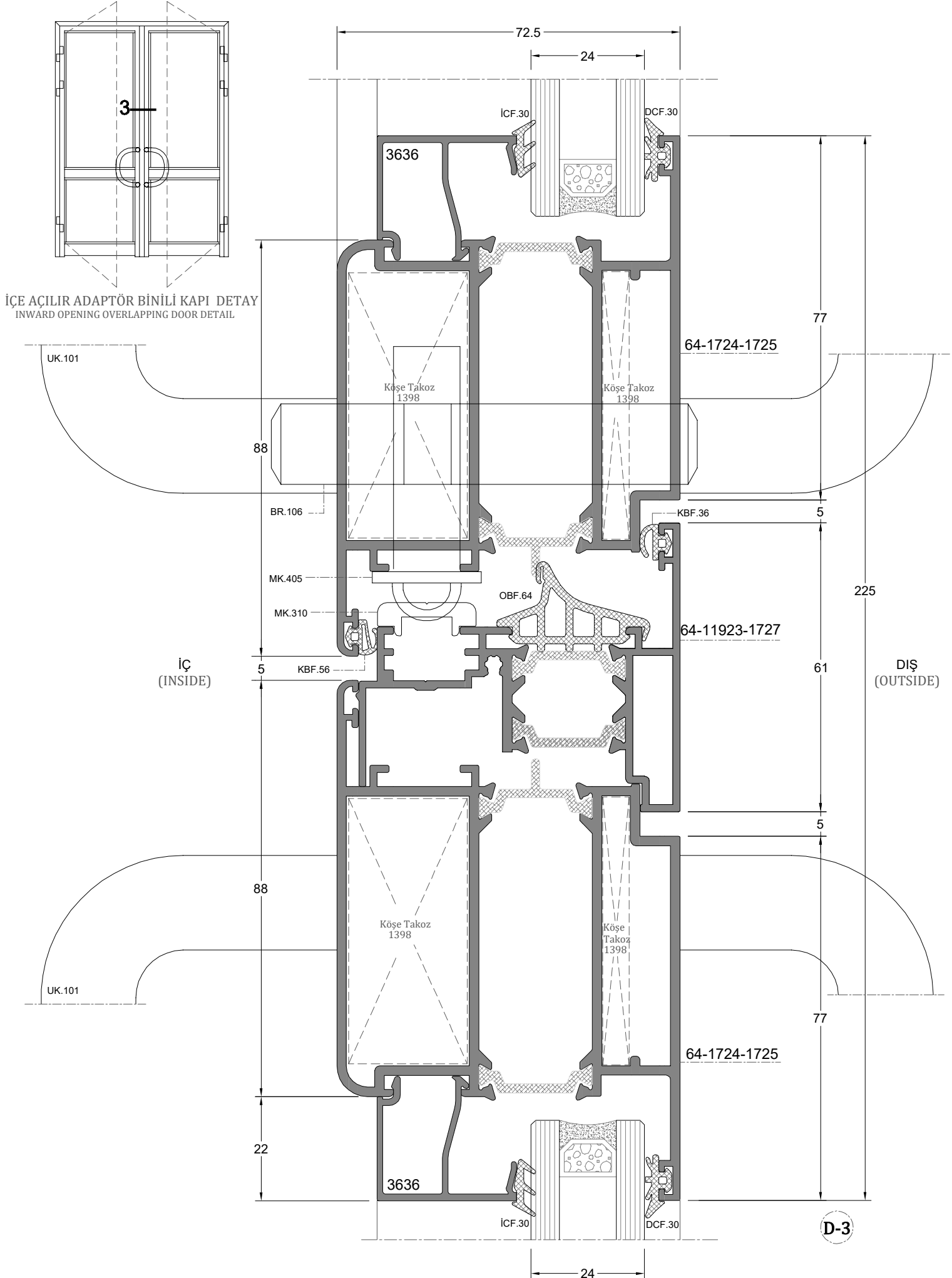
**BİNİLİ KAPI DETAY**  
OVERLAPPING DOOR DETAIL

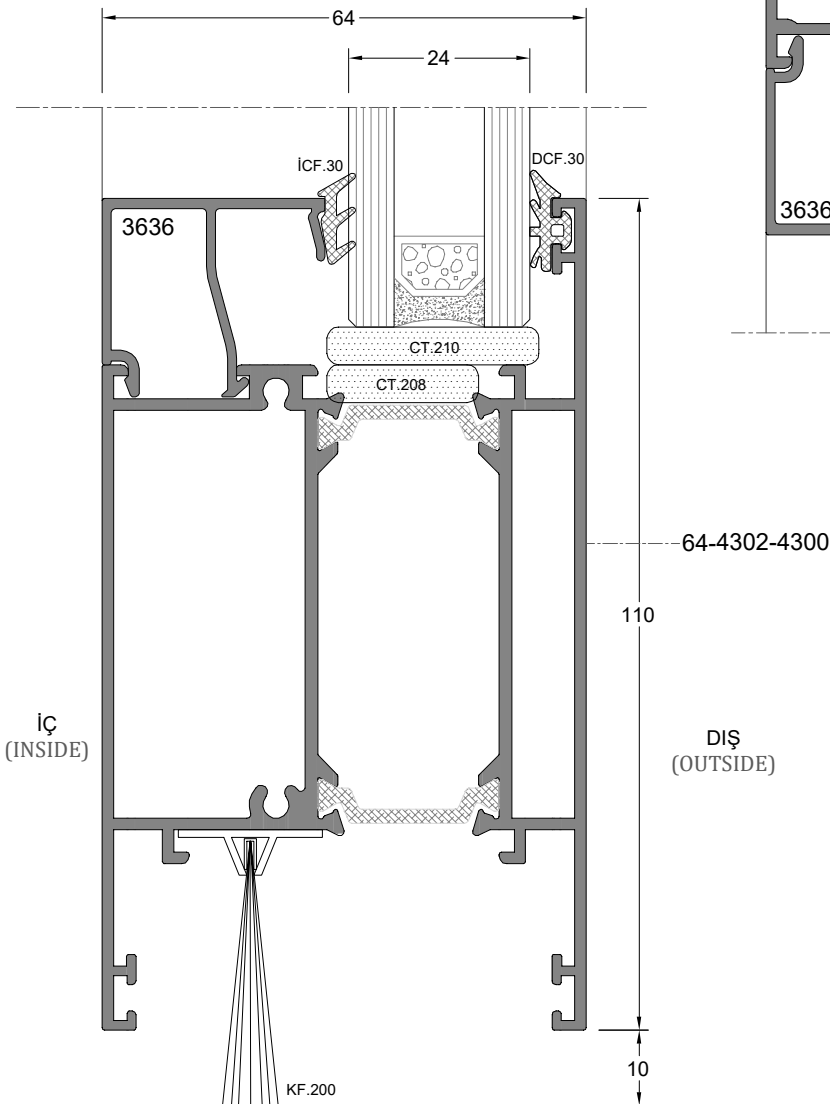
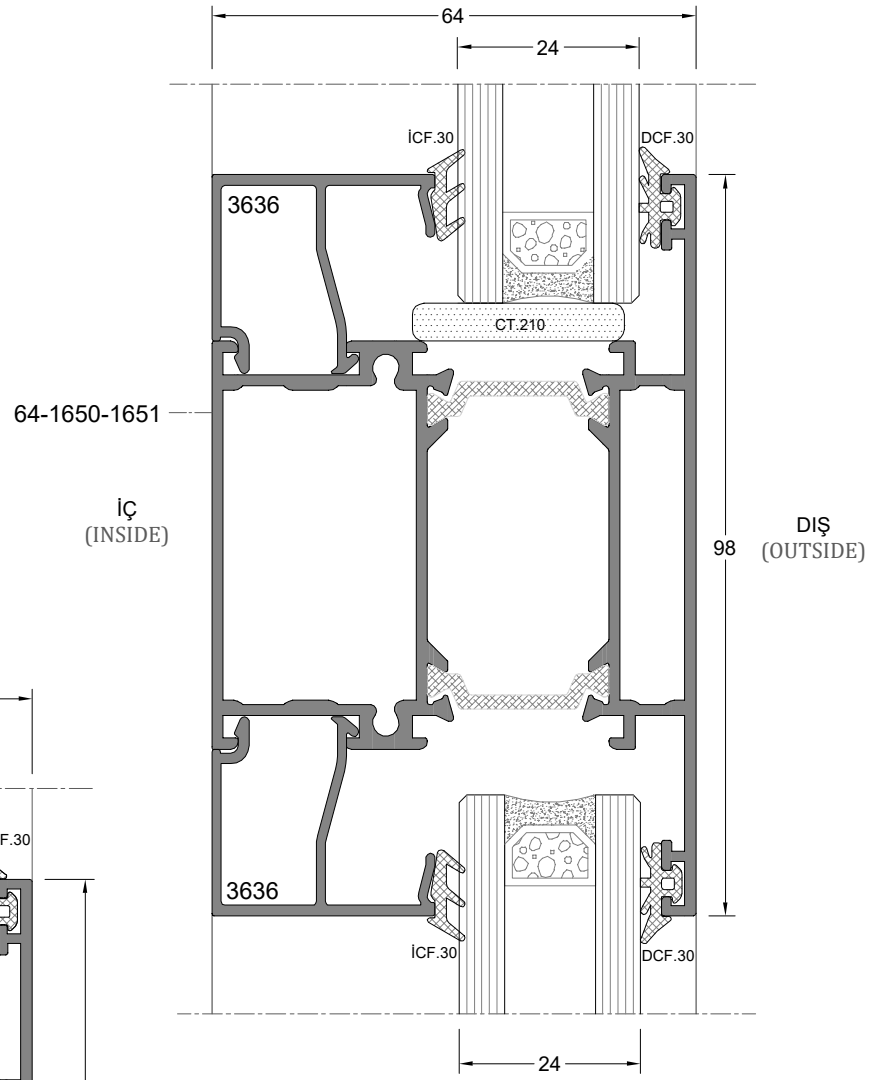
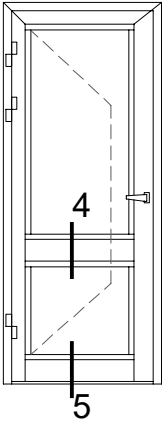




**BİNİLİ KAPI DETAY**  
OVERLAPPING DOOR DETAIL

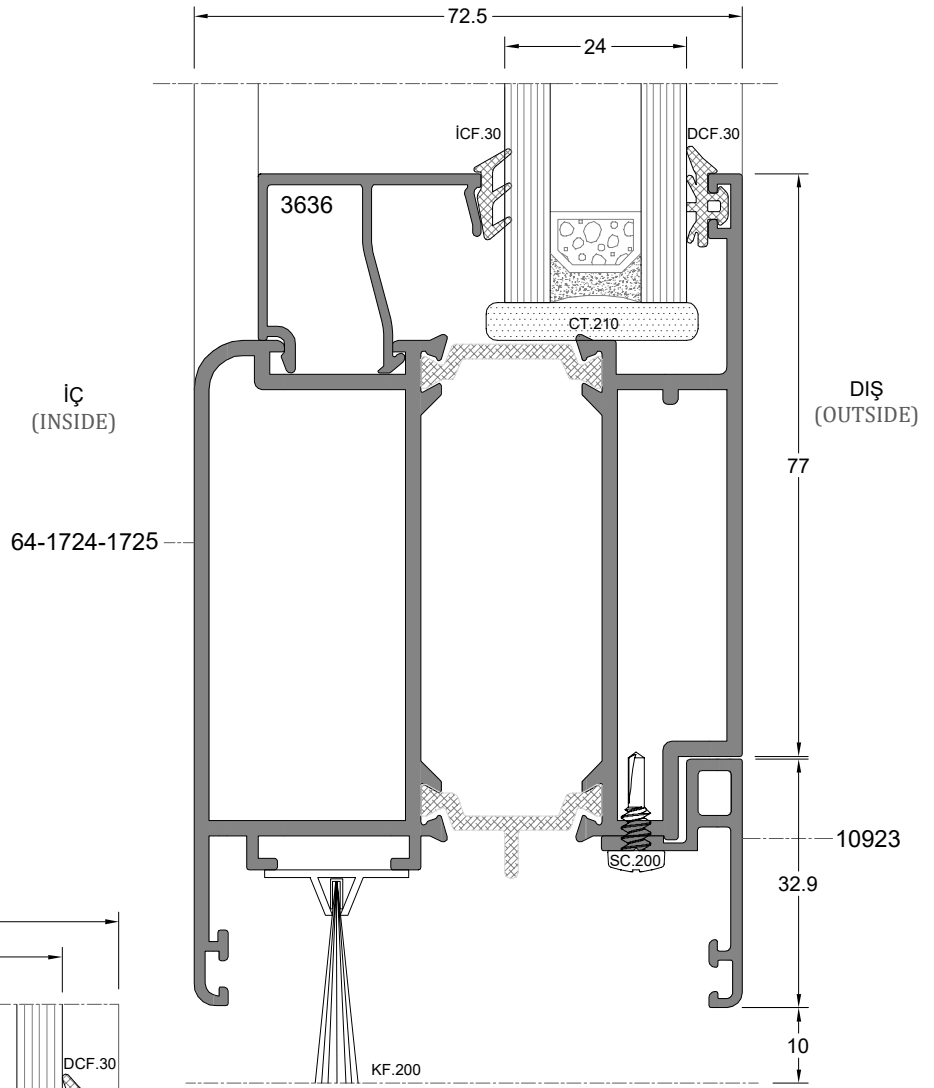
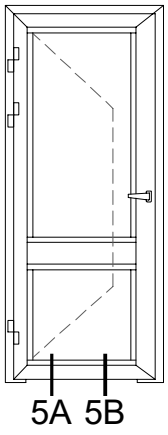




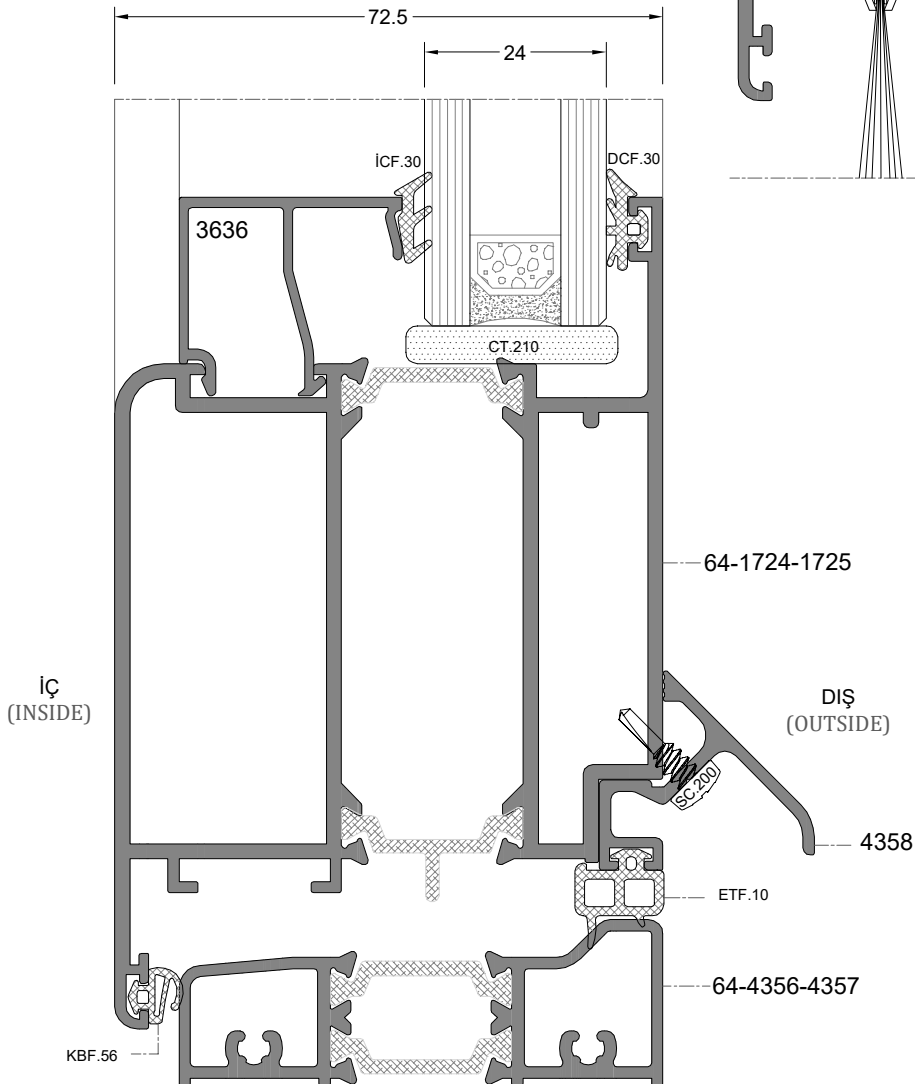


D-4

D-5

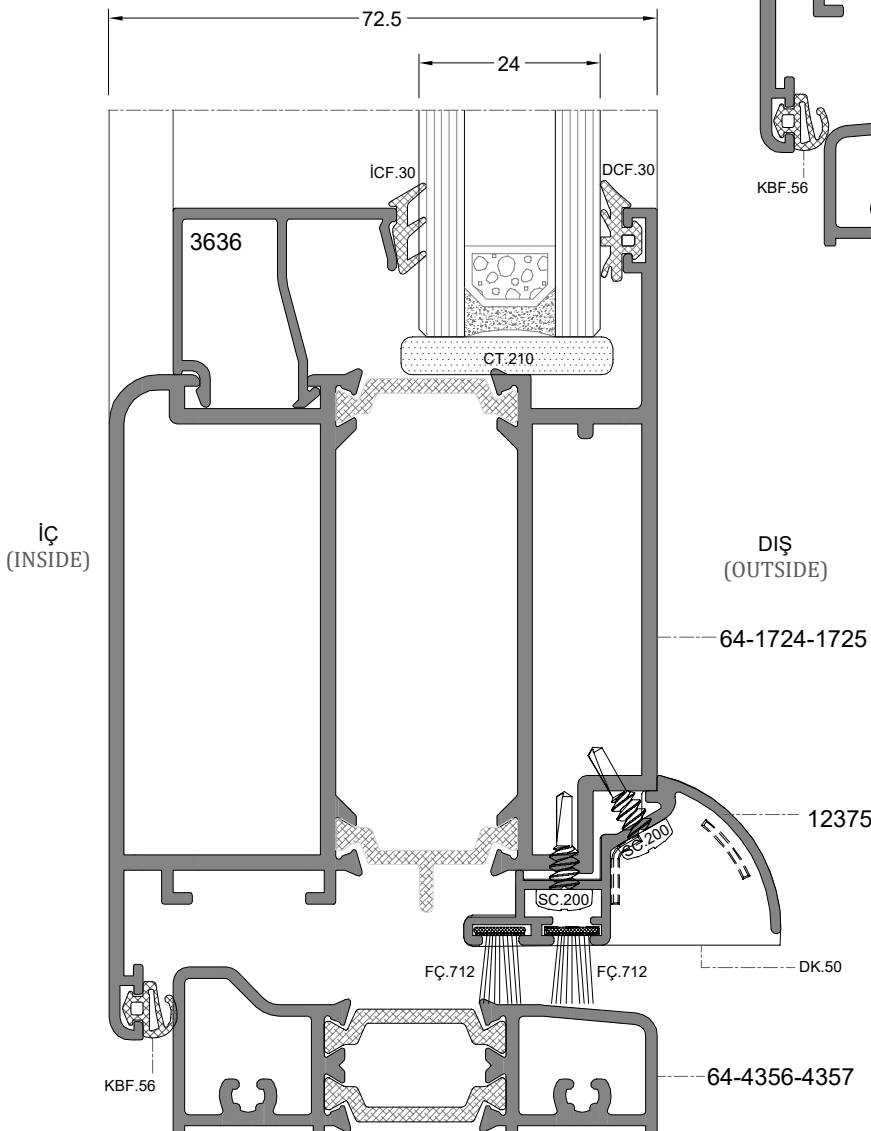
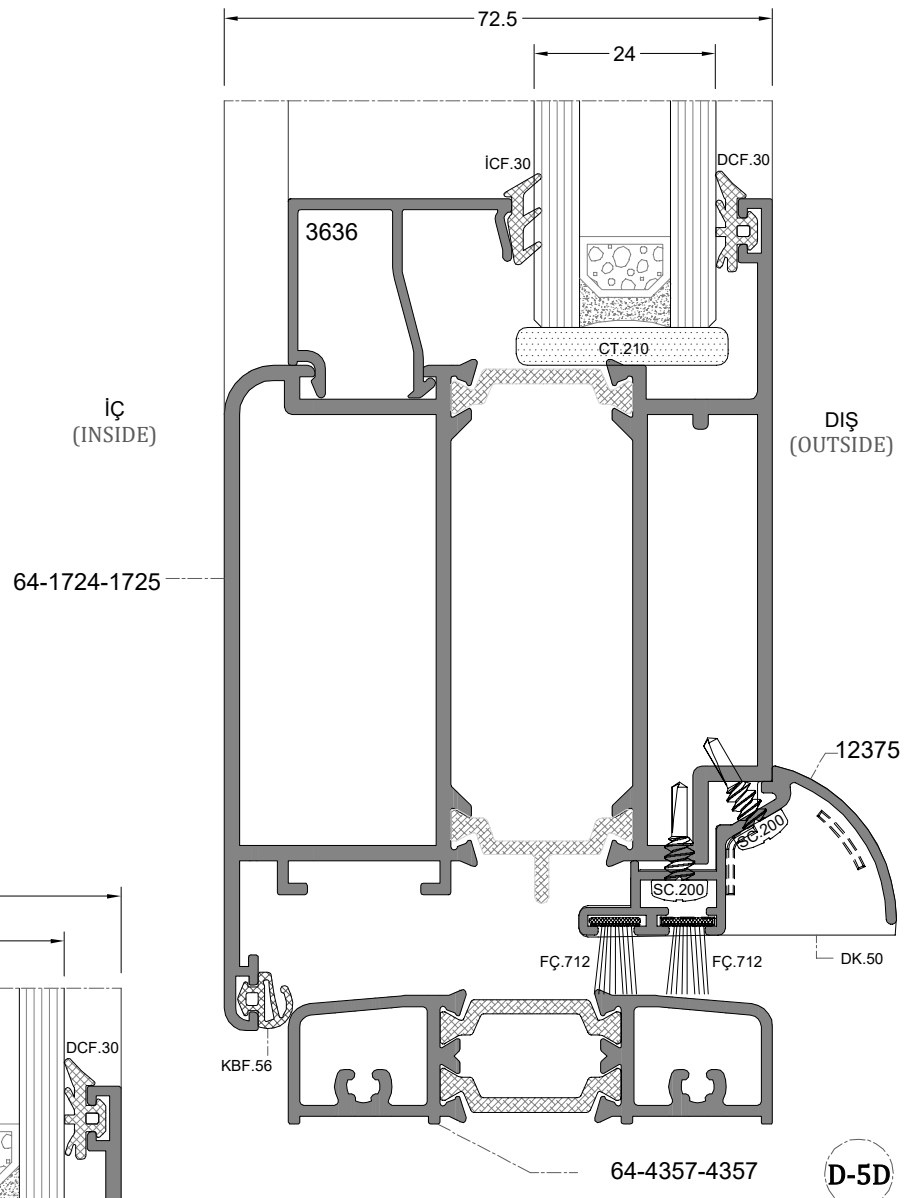
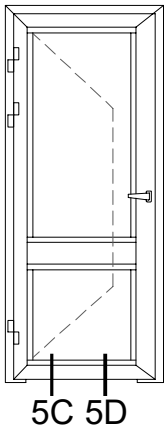


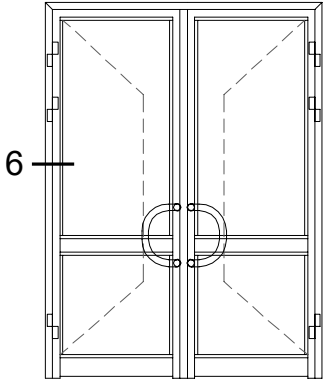
D-5B



D-5A

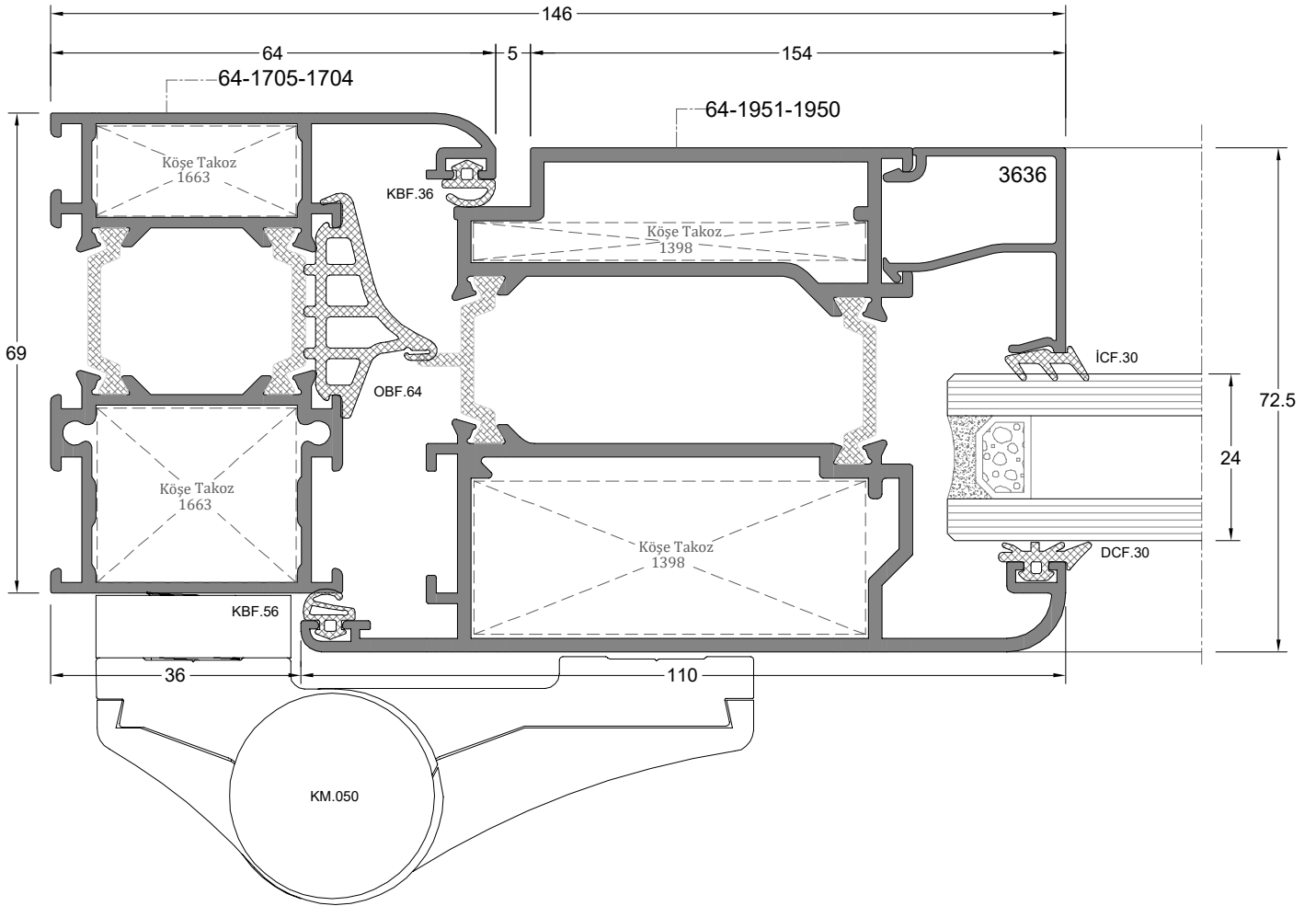






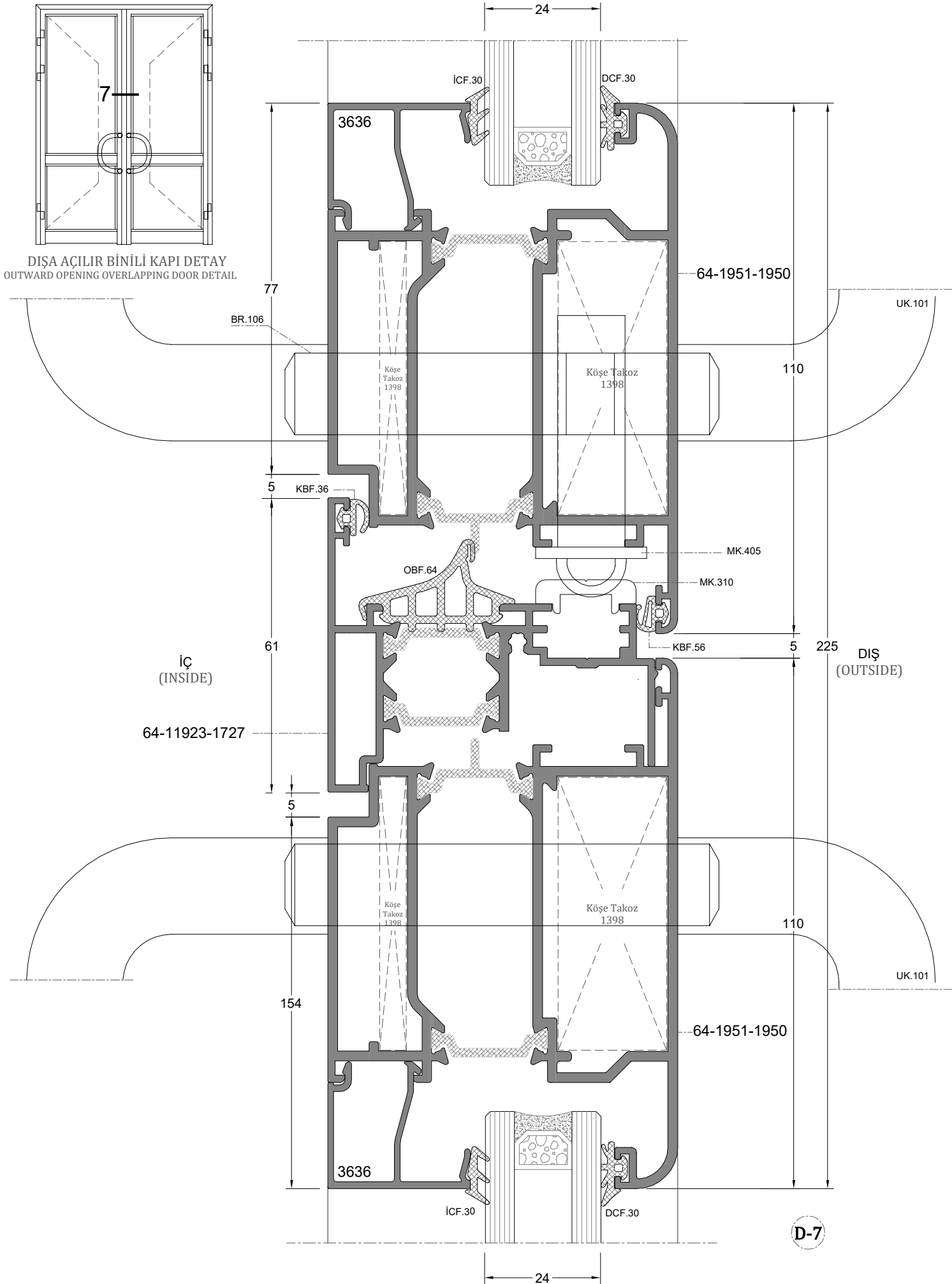
DİŞA AÇILIR BİNİLİ KAPI DETAY  
OUTWARD OPENING OVERLAPPING DOOR DETAIL

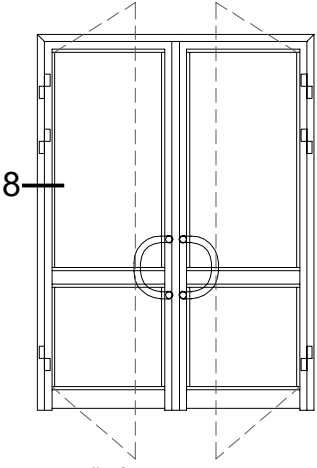
İÇ  
(INSIDE)



DİŞ  
(OUTSIDE)

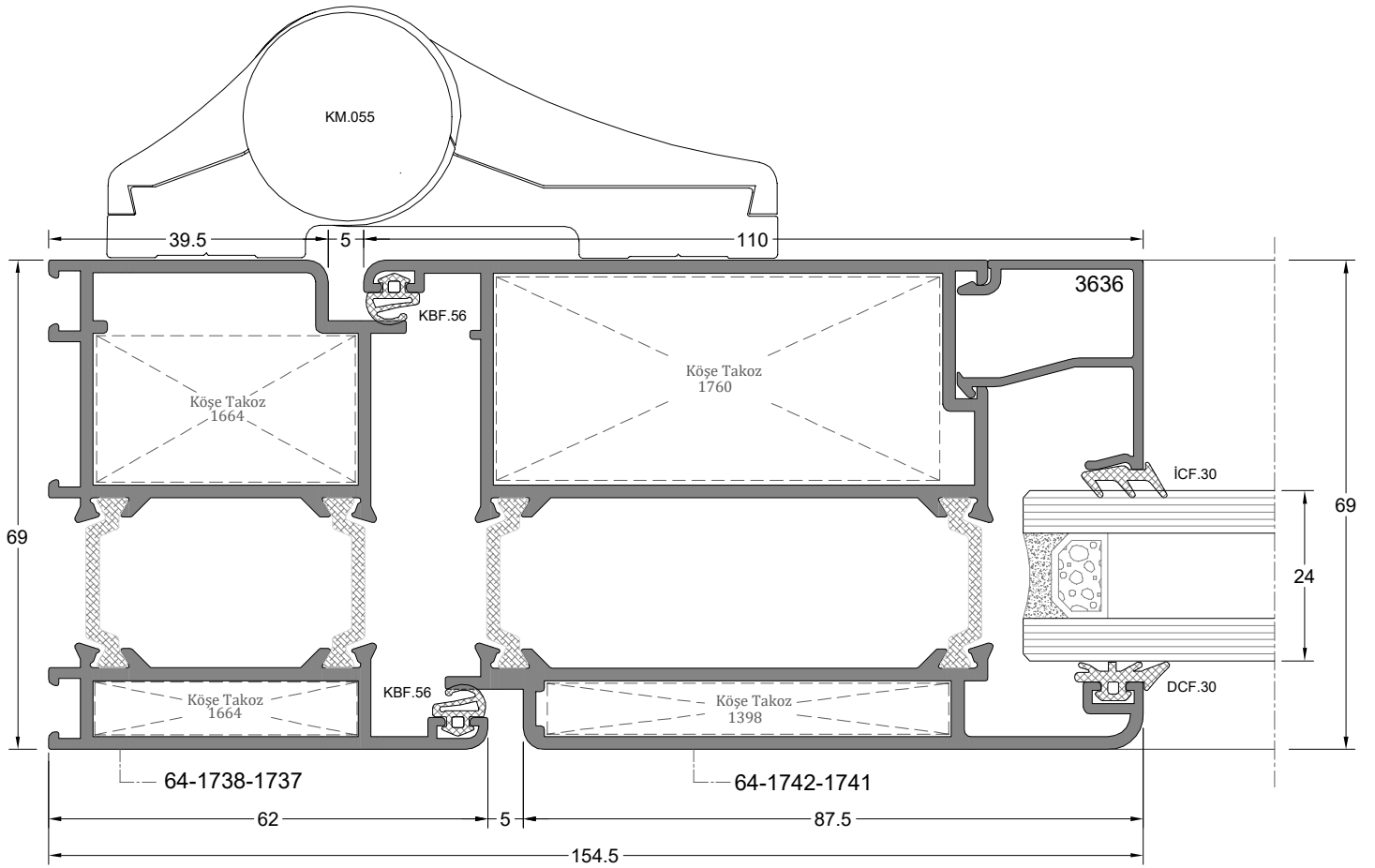
D-6





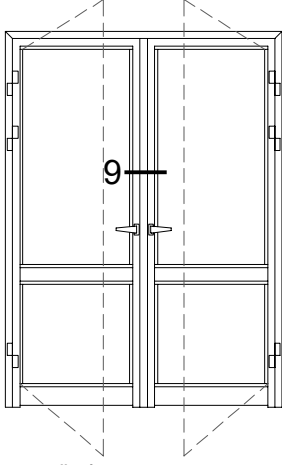
HEMYÜZ İÇE AÇILIR KAPI DETAY  
SYMMETRICAL INWARD OPENING DOOR DETAIL

İÇ  
(INSIDE)

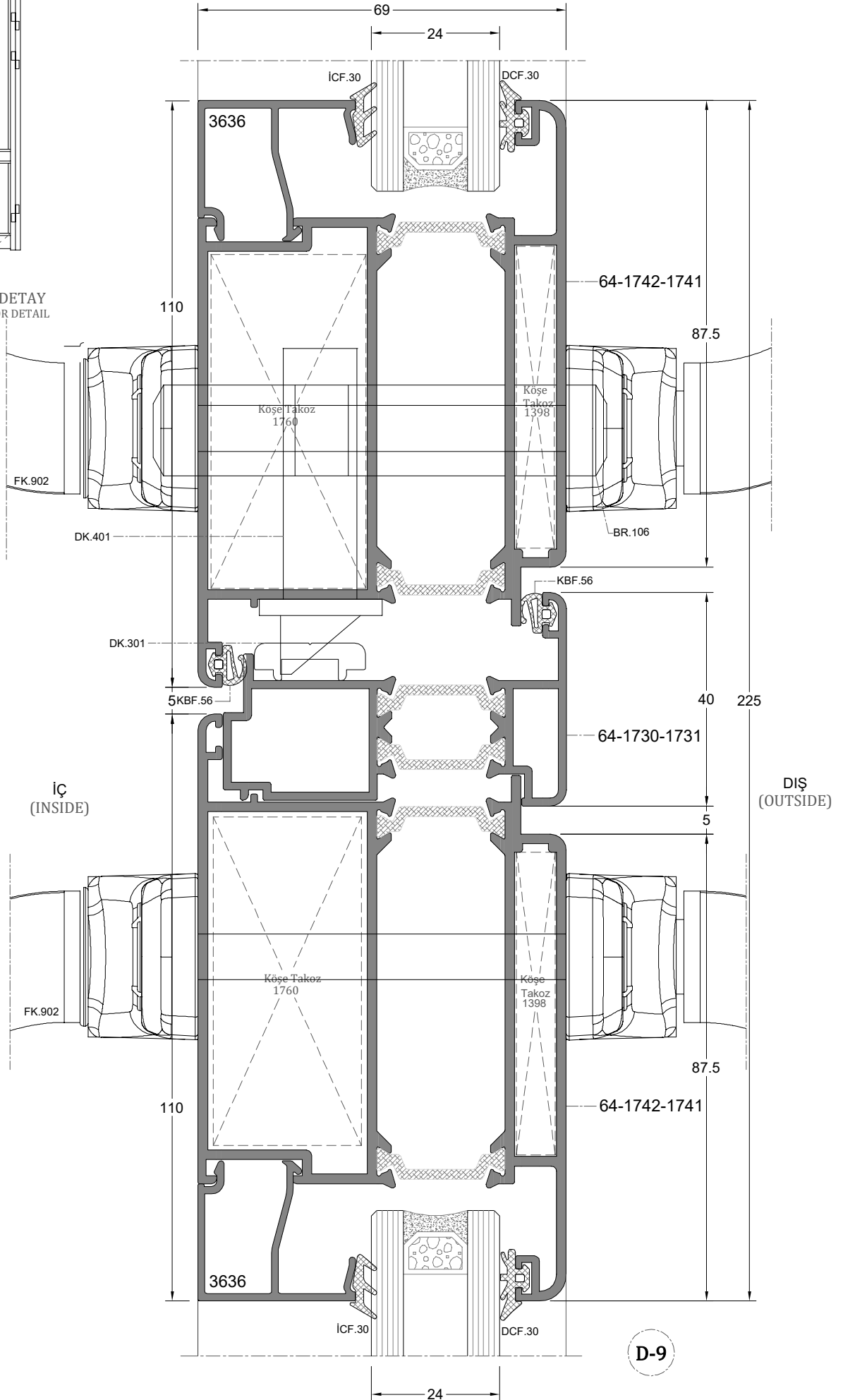


DIŞ  
(OUTSIDE)

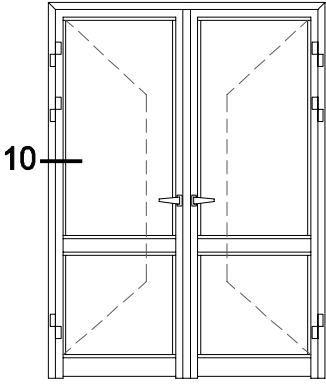
D-8



**HEMİYÜZ İÇE AÇILIR KAPI DETAY**  
SYMMETRICAL INWARD OPENING DOOR DETAIL

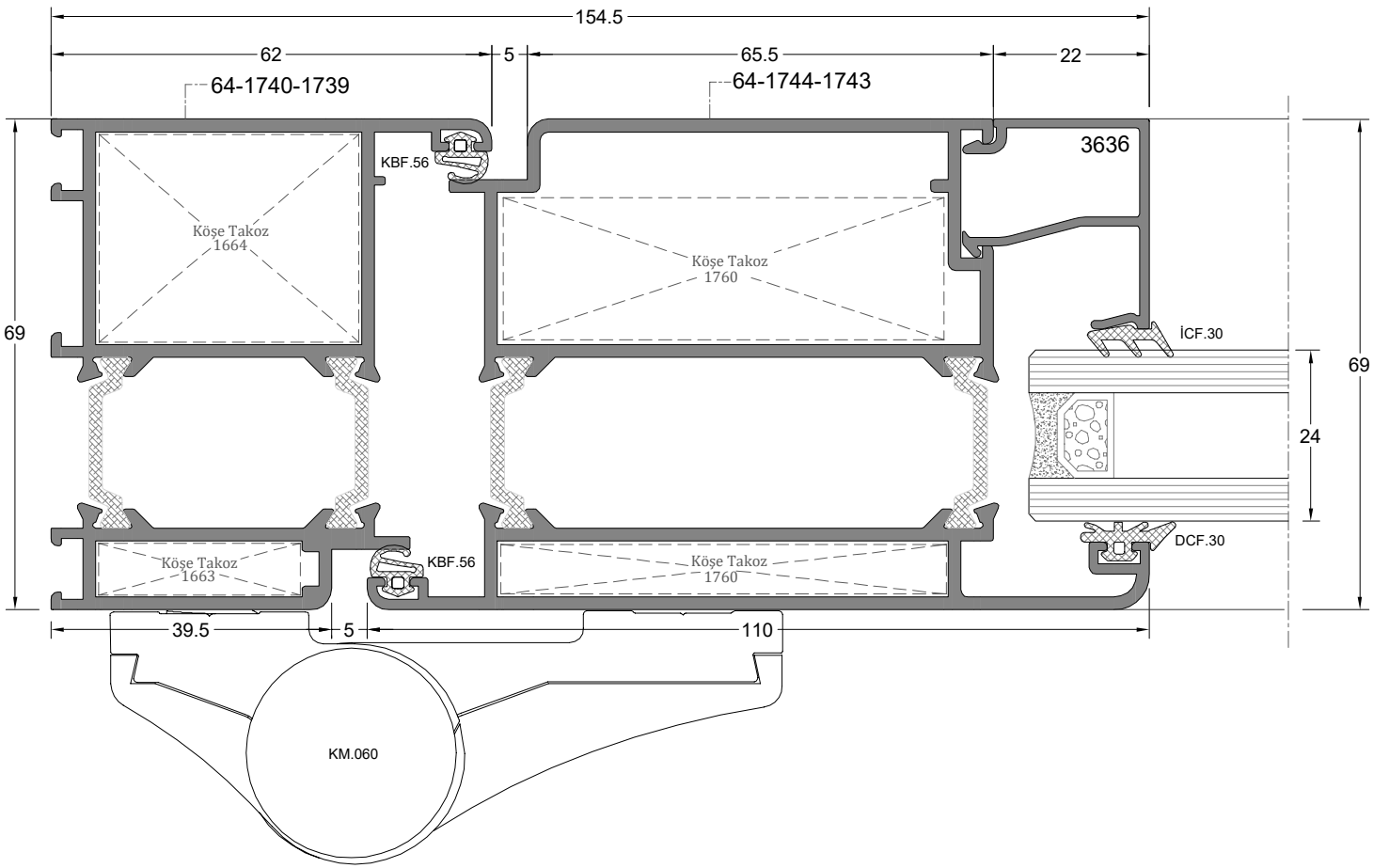


D-9



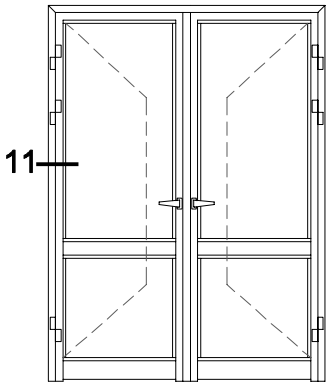
HEMYÜZ DIŞA AÇILIR KAPI DETAY  
SYMMETRICAL OUTWARD OPENING DOOR DETAIL

İÇ  
(INSIDE)

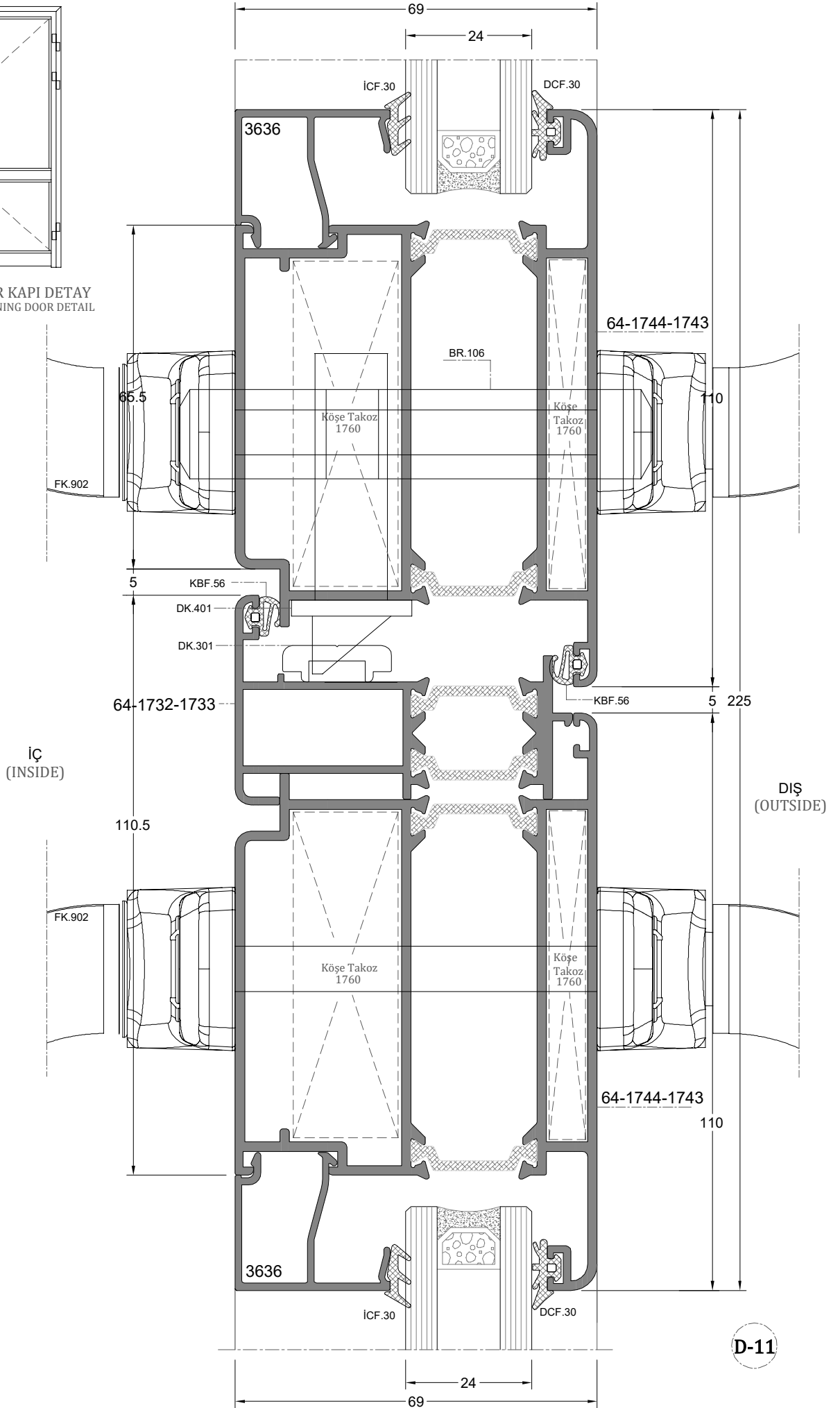


DIŞ  
(OUTSIDE)

D-10



HEMYÜZ DIŞA AÇILIR KAPI DETAY  
SYMMETRICAL OUTWARD OPENING DOOR DETAIL



D-11