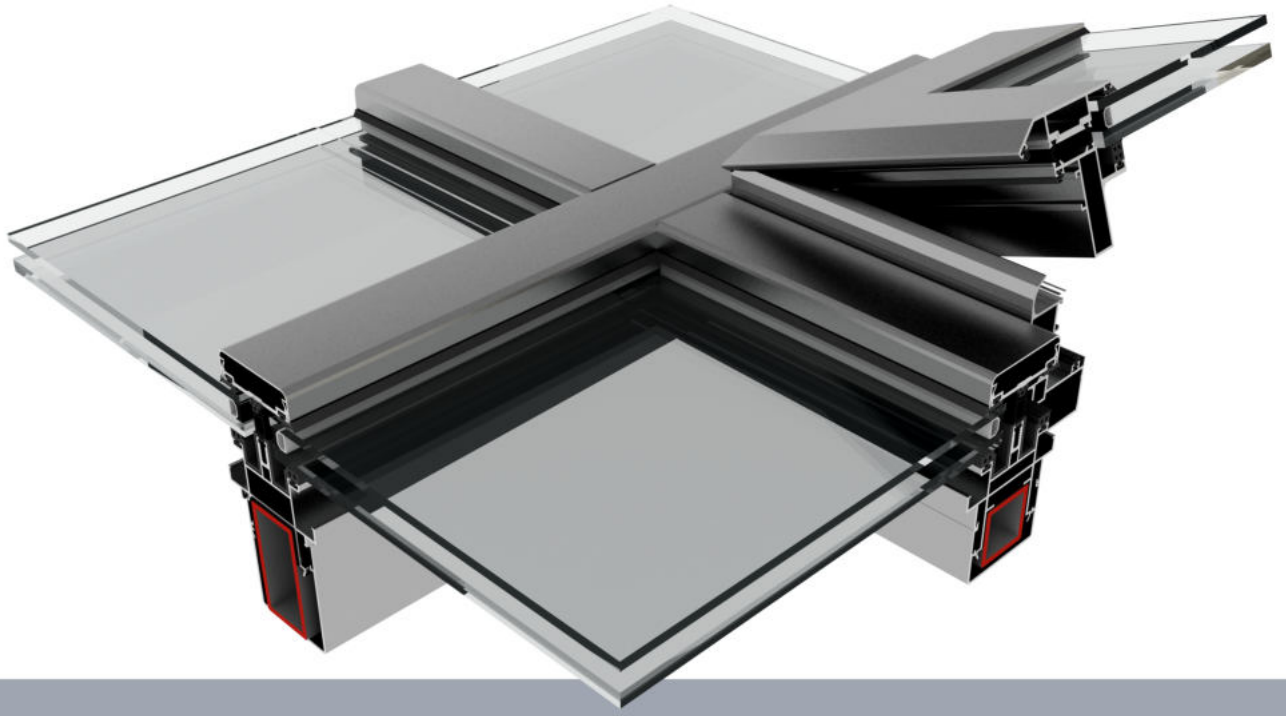
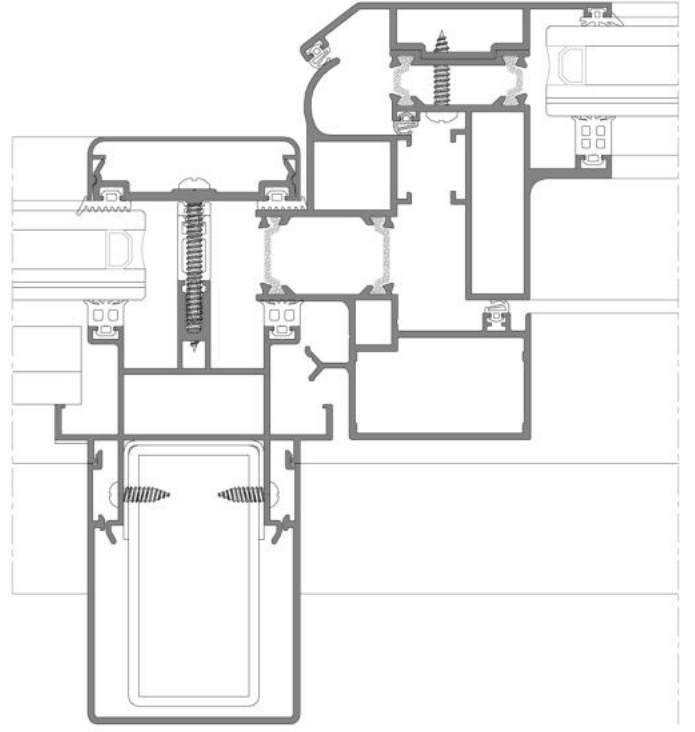
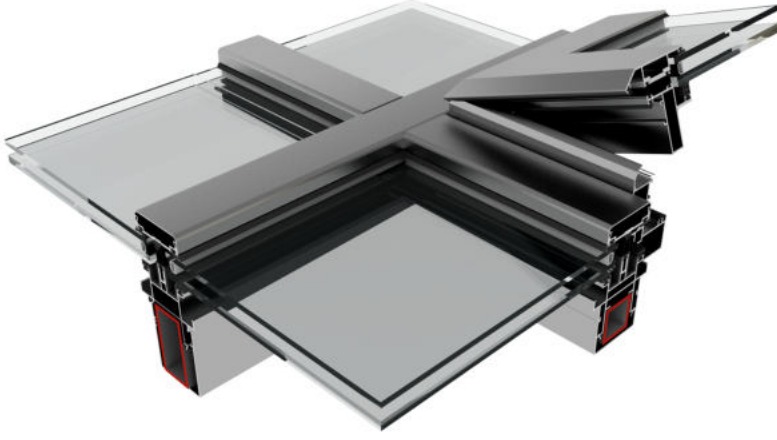




Cephe Sistem
Facade System



SK65



TEKNİK ÖZELLİKLER / TECHNICAL PROPERTIES

Profil Geniřliđi / Profile Width	65 mm
Profil Et Kalınlıđı / Profile Wall Thickness	1,8 - 2,5 mm
Düřey Tařıyıcı Profil Derinliđi / Mullion Profile Depth	81 mm
Yatay Tařıyıcı Profil Derinliđi / Transom Profile Depth	81 mm
Min. Cam Kalınlıđı / Min. Glazing Thickness	10 mm
Maks. Cam Kalınlıđı / Max. Glazing Thickness	45 mm
Düřey Tařıyıcı Max.Çelik Ölçüsü / Vertical Carrier Max.Steel Dimension	140 - 40 mm
Yatay Tařıyıcı Max.Çelik Ölçüsü / Horizontal Carrier Max.Steel Dimension	140 - 40 mm
Maks. Kanat Ađırlıđı / Max. Sash Weight	130 kg

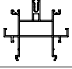
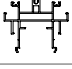
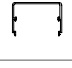

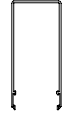
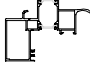
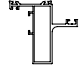



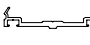

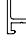
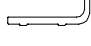
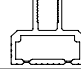
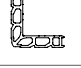
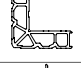

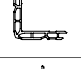

UYGULAMA SEÇENEKLERİ / APPLICATION OPTIONS

Kapaklı Cephe / Covered Facade



Entegre Cephe / Integrated Facade

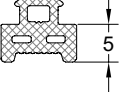
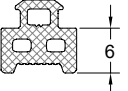
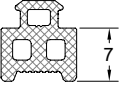
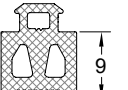


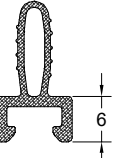
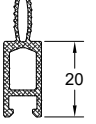
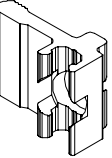


PROFİL KESİTİ PROFILE SECTION	PROFİL KODU PROFILE CODE	PROFİL ADI PROFILE NAME	Jx cm ⁴	Jy cm ⁴	AĞIRLIK (kg/m) WEIGHT
	12213	DÜŞEY PROFİLİ VERTICAL PROFILE	35,65 cm ⁴	25,49 cm ⁴	1,921 kg/m
	12214	YATAY PROFİLİ HORIZONTAL PROFILE	40,41 cm ⁴	24,15 cm ⁴	2,103 kg/m
	5105	ÇELİK GÖVDE PROFİLİ STEEL BODY PROFILE	21,25 cm ⁴	5,81 cm ⁴	0,824 kg/m
	5106	ÇELİK GÖVDE PROFİLİ STEEL BODY PROFILE	37,14 cm ⁴	34,76 cm ⁴	1,258 kg/m
	5107	ÇELİK GÖVDE PROFİLİ STEEL BODY PROFILE	175,19 cm ⁴	72,65 cm ⁴	2,309 kg/m
	12298-12299	KASA PROFİLİ FRAME PROFILE	92,01 cm ⁴	51,92 cm ⁴	2,661 kg/m
	12300-12301	KANAT PROFİLİ SASH PROFILE	33,45 cm ⁴	18,69 cm ⁴	1,724 kg/m
	12303	CAM ADAPTÖR PROFİLİ GLAZING ADAPTER PROFILE	21,90 cm ⁴	1,32 cm ⁴	0,946 kg/m
	5102	KAPAK PROFİLİ COVER PROFILE	-	-	0,387 kg/m
	5103	KAPAK PROFİLİ COVER PROFILE	-	-	0,433 kg/m
	5104	KAPAK ALTI PROFİLİ SUB-COVER PROFILE	-	-	0,569 kg/m
	5097	YÜKSELTME ÇİTA PROFİLİ EXTENSION BEAD PROFILE	-	-	0,198 kg/m
	5059	YÜKSELTME ÇİTA PROFİLİ EXTENSION BEAD PROFILE	-	-	0,210 kg/m
	5113	CAM ALTI TAKOZ PROFİLİ GLAZING UNDER WEDGE PROFILE	-	-	0,282 kg/m
	6117	ISICAM SPACER PROFİLİ DOUBLE GLAZING SPACER PROFILE	-	-	0,254 kg/m
	1695	KÖŞE TAKOZ PROFİLİ CORNER WEDGE PROFILE	-	-	2,540 kg/m
	3546	KÖŞE TAKOZ PROFİLİ CORNER WEDGE PROFILE	-	-	3,357 kg/m
	3547	KÖŞE TAKOZ PROFİLİ CORNER WEDGE PROFILE	-	-	4,884 kg/m
	598	KÖŞE TAKOZ PROFİLİ CORNER WEDGE PROFILE	-	-	1,677 kg/m
	1697	KÖŞE TAKOZ PROFİLİ CORNER WEDGE PROFILE	-	-	4,212 kg/m

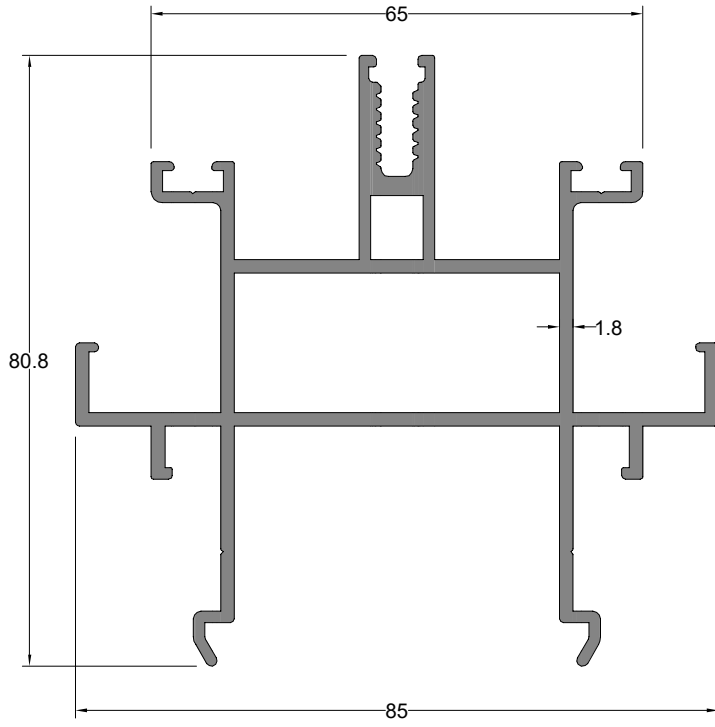
** Her profil için minimum sipariş 300 kg'dır.
** Minimum order quantity is 300 kg per profile.

AKSESUAR ACCESSORY	STOK KODU REFERENCE CODE	AKSESUAR ADI DESCRIPTION	AKSESUAR KODU PRODUCT CODE	PAKET PACK
	AKS1274	CEPHE CAM FİTİLİ FACADE GLAZING GASKET	SK65-CSK.08 (8 MM)	15 mt / paket 8.3 kg
	AKS1237	CEPHE CAM FİTİLİ (3 mm) FACADE GLAZING GASKET (3 mm)	SK65-CF.03	169 mt / paket 10 kg
	AKS1238	CEPHE CAM FİTİLİ (4 mm) FACADE GLAZING GASKET (4 mm)	SK65-CF.04	128 mt / paket 10 kg
	AKS1239	CEPHE CAM FİTİLİ (5 mm) FACADE GLAZING GASKET (5 mm)	SK65-CF.05	128 mt / paket 10 kg
	AKS1241	CEPHE CAM FİTİLİ (6 mm) FACADE GLAZING GASKET (6 mm)	SK65-CF.06	94 mt / paket 10 kg
	AKS1242	CEPHE CAM FİTİLİ (7 mm) FACADE GLAZING GASKET (7 mm)	SK65-CF.07	92 mt / paket 10 kg
	AKS1243	CEPHE CAM FİTİLİ (8 mm) FACADE GLAZING GASKET (8 mm)	SK65-CF.08	87 mt / paket 10 kg
	AKS1244	CEPHE CAM FİTİLİ (9 mm) FACADE GLAZING GASKET (9 mm)	SK65-CF.09	80 mt / paket 10 kg
	AKS1320	CEPHE CAM FİTİLİ (10 mm) FACADE GLAZING GASKET (10 mm)	SK65-CF.10	75 mt / paket 10 kg
	AKS1245	CEPHE CAM FİTİLİ (11 mm) FACADE GLAZING GASKET (11 mm)	SK65-CF.11	68 mt / paket 10 kg

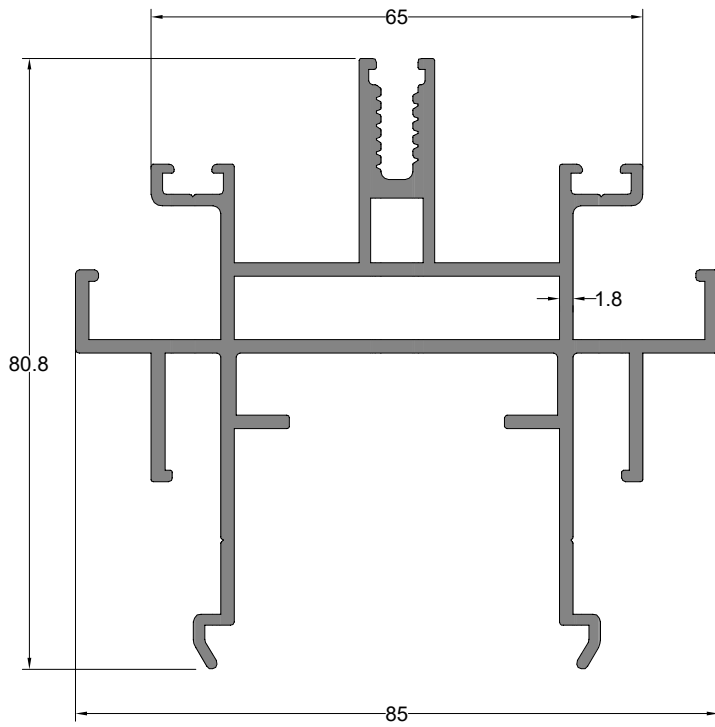
AKSESUAR ACCESSORY	STOK KODU REFERENCE CODE	AKSESUAR ADI DESCRIPTION	AKSESUAR KODU PRODUCT CODE	PAKET PACK
	AKS1246	CEPHE CAM FİTİLİ (12 mm) FACADE GLAZING GASKET (12 mm)	SK65-CF.12	64 mt / paket 10 kg
	AKS1247	CEPHE CAM FİTİLİ (13 mm) FACADE GLAZING GASKET (13 mm)	SK65-CF.13	60 mt / paket 10 kg
	AKS1248	CEPHE CAM FİTİLİ (14 mm) FACADE GLAZING GASKET (14 mm)	SK65-CF.14	56 mt / paket 10 kg
	AKS1249	CEPHE CAM FİTİLİ (15 mm) FACADE GLAZING GASKET (15 mm)	SK65-CF.15	54 mt / paket 10 kg
	AKS1250	CEPHE CAM FİTİLİ (16 mm) FACADE GLAZING GASKET (16 mm)	SK65-CF.16	46 mt / paket 10 kg
	AKS1252	CEPHE CAM FİTİLİ (18 mm) FACADE GLAZING GASKET (18 mm)	SK65-CF.18	42 mt / paket 10 kg
	AKS1289	KAPAK ALTI DIŞ CAM FİTİLİ UNDER COVER OUTER GLAZING GASKET	SK65-KF.30	136 mt / paket 10 kg
	AKS1290	KAPAK ALTI DIŞ CAM FİTİLİ UNDER COVER OUTER GLAZING GASKET	SK65-KF.50	103 mt / paket 10 kg
	AKS7176	CEPHE ISI İZOLATÖR FİTİLİ (3 mm) FACADE THERMAL INSULATOR GASKET (3 mm)	SK65-IF.03	212 mt / paket 10 kg/mt
	AKS1378	CEPHE ISI İZOLATÖR FİTİLİ (4 mm) FACADE THERMAL INSULATOR GASKET (4 mm)	SK65-IF.04	166 mt / paket 10 kg/mt

AKSESUAR ACCESSORY	STOK KODU REFERENCE CODE	AKSESUAR ADI DESCRIPTION	AKSESUAR KODU PRODUCT CODE	PAKET PACK
	AKS7177	CEPHE ISI İZOLATÖR FİTİLİ (5 mm) FACADE THERMAL INSULATOR GASKET (5 mm)	SK65-IF.05	147 mt / paket 10 kg/mt
	AKS1379	CEPHE ISI İZOLATÖR FİTİLİ (6 mm) FACADE THERMAL INSULATOR GASKET (6 mm)	SK65-IF.06	140 mt / paket 10 kg/mt
	AKS1380	CEPHE ISI İZOLATÖR FİTİLİ (7 mm) FACADE THERMAL INSULATOR GASKET (7 mm)	SK65-IF.07	121 mt / paket 10 kg/mt
	AKS7178	CEPHE ISI İZOLATÖR FİTİLİ (9 mm) FACADE THERMAL INSULATOR GASKET (9 mm)	SK65-IF.09	96 mt / paket 10 kg/mt
	AKS1287	KANAT FİTİLİ SASH GASKET	SK65-KBF.56	238 mt / paket 10 kg
	AKS1254	DIŞ CAM FİTİLİ OUTER GLAZING GASKET	SK65-DCF.30	196 mt / paket 10 kg
	AKS473	CEPHE ISI İZOLATÖR (6 mm) FACADE THERMAL INSULATOR (6 mm)	SK65-PLS.06	125 mt / 25 boy
 ÖLÇEK:1/2	AKS472	CEPHE ISI İZOLATÖR (20 mm) FACADE THERMAL INSULATOR (20 mm)	SK65-PLS.20	125 mt / 25 boy
	AKS6121	CAM ARASI KLİPS GLAZING BETWEEN CLIP	SK65-CAK.180	100 ad / paket

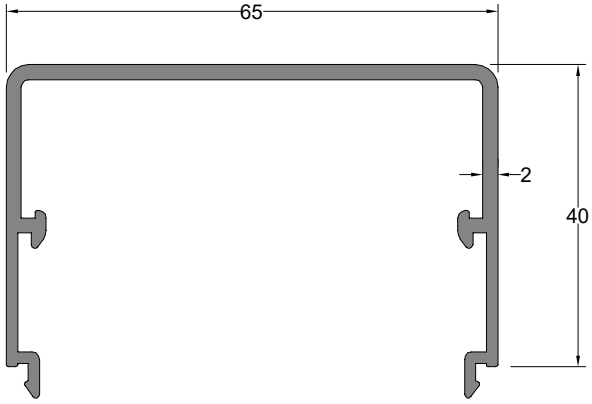
AKSESUAR ACCESSORY	STOK KODU REFERENCE CODE	AKSESUAR ADI DESCRIPTION	AKSESUAR KODU PRODUCT CODE	PAKET PACK
	AKS64	SİSTEM KAPI MENTEŞE (ELOKSALLI) SYSTEM DOOR HINGE (ANODIZED)	SK65-KM.111	10 ad / 1 pk
	AKS65	SİSTEM KAPI MENTEŞE (BEYAZ) SYSTEM DOOR HINGE (WHITE)	SK65-KM.112	10 ad / 1 pk
	AKS66	SİSTEM KAPI MENTEŞE (RENKLİ) SYSTEM DOOR HINGE (COLORED)	SK65-KM.113	10 ad / 1 pk
	AKS2344	Ø4.8X16 mm YSB SAC VİDA Ø4.8X16 mm CURVED TOP SCREW	SK65-SC.941	250 ad / paket
	AKS2346	Ø4.8X22 mm YSB SAC VİDA Ø4.8X22 mm CURVED TOP SCREW	SK65-SC.936	250 ad / paket
	AKS2347	Ø4.8X 25 mm YSB SAC VİDA Ø4.8X25 mm CURVED TOP SCREW	SK65-SC.937	250 ad / paket
	AKS2348	Ø4.8X32 mm YSB SAC VİDA Ø4.8X32 mm CURVED TOP SCREW	SK65-SC.938	250 ad / paket
	AKS2349	Ø4.8X38 mm YSB SAC VİDA Ø4.8X32 mm CURVED TOP SCREW	SK65-SC.939	250 ad / paket
	AKS2350	Ø4.8X45 mm YSB SAC VİDA Ø4.8X32 mm CURVED TOP SCREW	SK65-SC.940	250 ad / paket
	AKS2351	Ø4.8X50 mm YSB SAC VİDA Ø4.8X50 mm CURVED TOP SCREW	SK65-SC.941	250 ad / paket
	AKS2352	Ø4.8X60 mm YSB SAC VİDA Ø4.8X60 mm CURVED TOP SCREW	SK65-SC.942	250 ad / paket



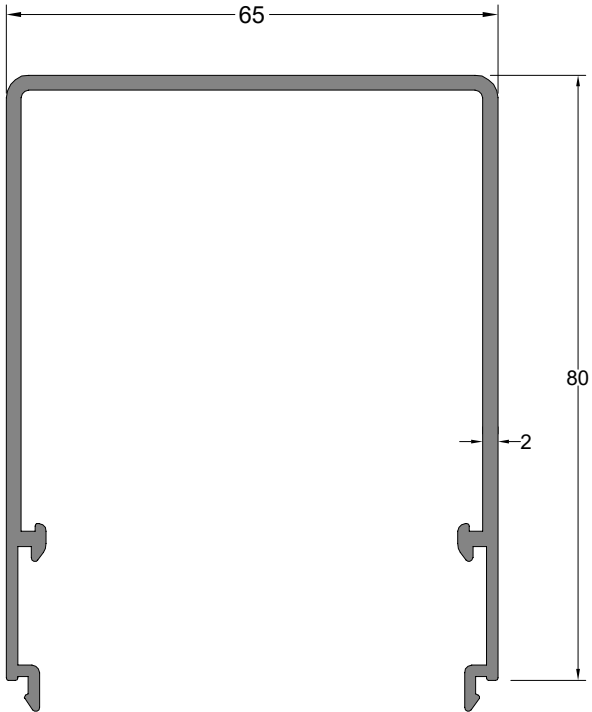
Düsey Profili	Profil Kodu	(kg/mt)	Jx cm ⁴	Jy cm ⁴
VERTICAL PROFILE	Profile Code	weight		
	12213	1,921	35,65	25,49



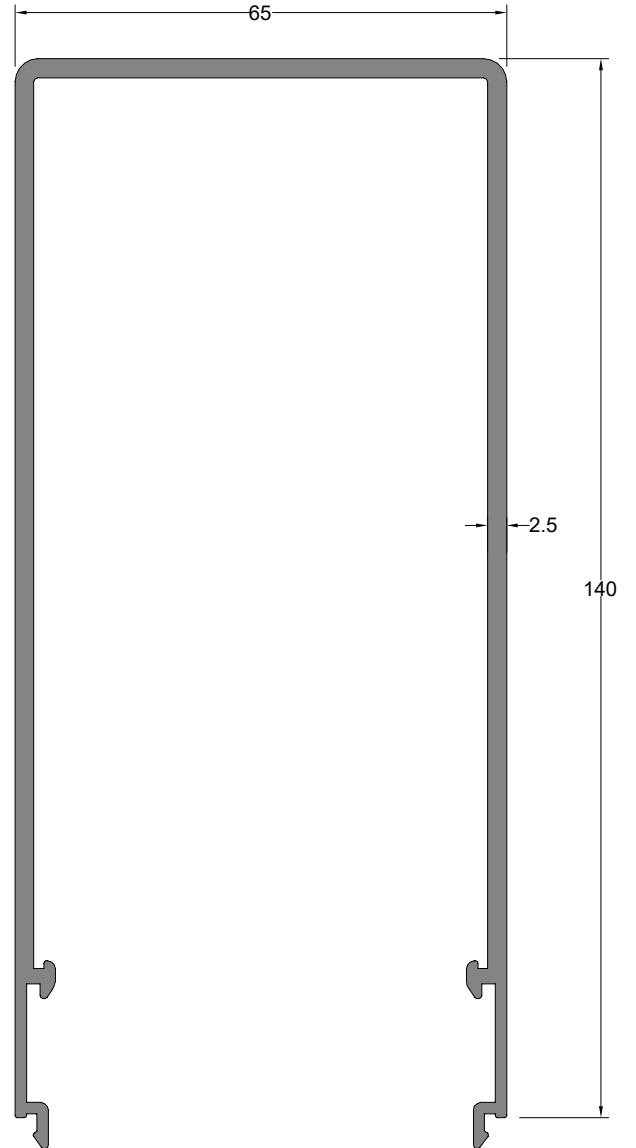
Yatay Profili	Profil Kodu	(kg/mt)	Jx cm ⁴	Jy cm ⁴
HORIZONTAL PROFILE	Profile Code	weight		
	12214	2,103	40,41	24,15



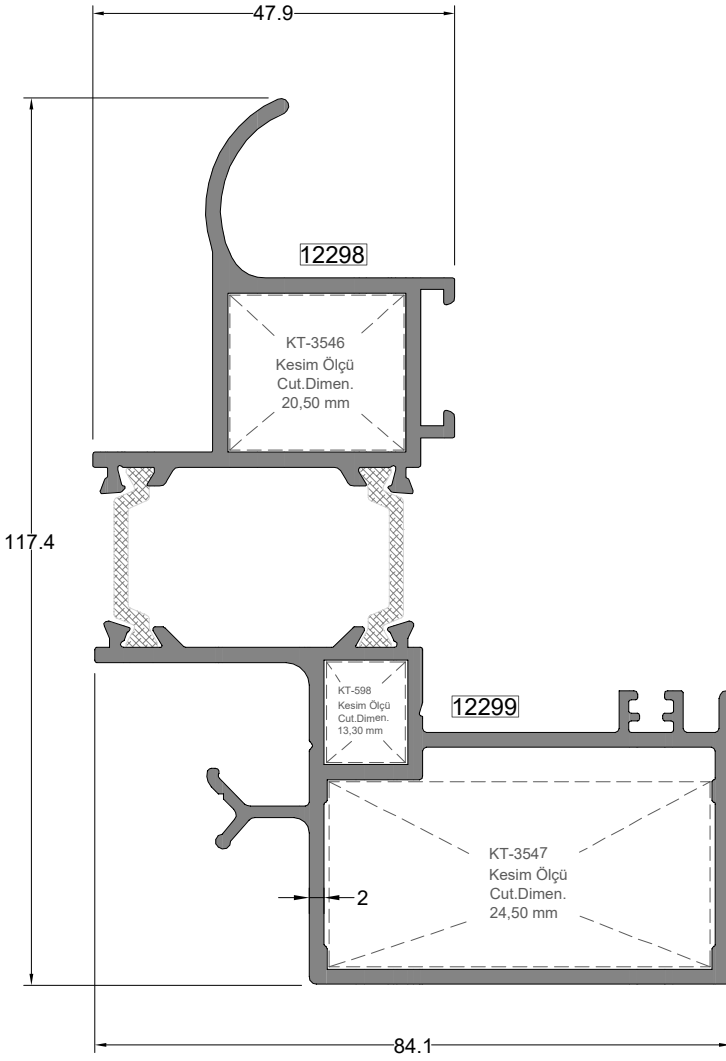
Çelik Gövde Profili STEEL BODY PROFILE	Profil Kodu Profile Code	(kg/mt) weight	Jx cm	Jy cm
	5105	0,824	21,25	5,81



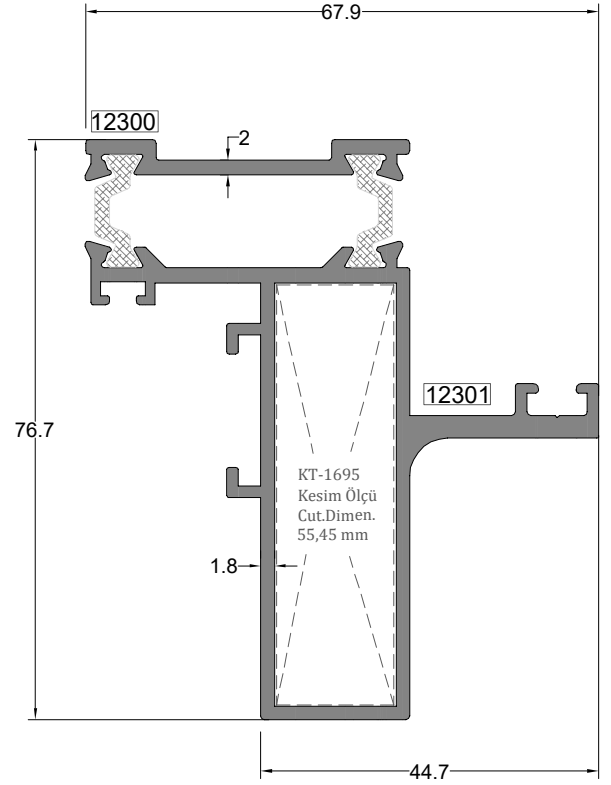
Çelik Gövde Profili STEEL BODY PROFILE	Profil Kodu Profile Code	(kg/mt) weight	Jx cm	Jy cm
	5106	1,258	37,14	34,76



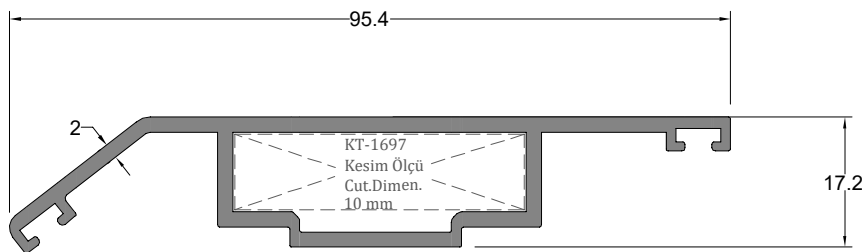
Çelik Gövde Profili STEEL BODY PROFILE	Profil Kodu Profile Code	(kg/mt) weight	Jx cm	Jy cm
	5107	2,309	175,19	72,65



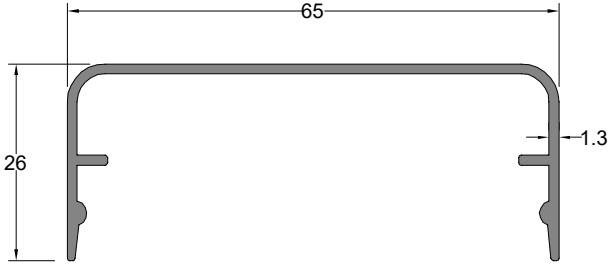
Kasa Profili	Profil Kodu	(kg/mt)	Jx cm	Jy cm
FRAME PROFILE	Profile Code	Weight		
	12298-12299	2,661	92,01	51,92



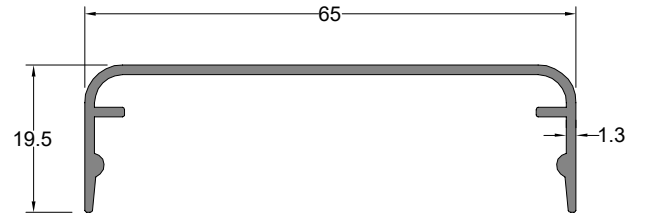
Kanat Profili	Profil Kodu	(kg/mt)	Jx cm	Jy cm
SASH PROFILE	Profile Code	Weight		
	12300-12301	1,724	33,45	18,69



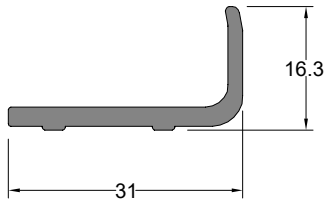
Cam Adaptör Profili	Profil Kodu	(kg/mt)	Jx cm	Jy cm
GLAZING ADAPTER PROFILE	Profile Code	Weight		
	12303	0,946	21,90	1,32



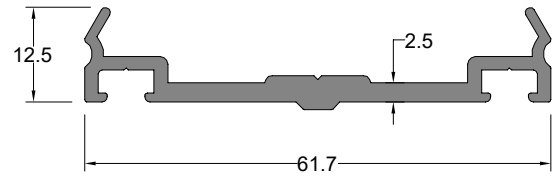
Kapak Profili COVER PROFILE	Profil Kodu Profile Code	(kg/mt) weight
	5103	0,433



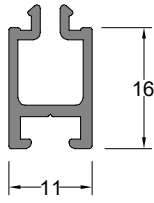
Kapak Profili COVER PROFILE	Profil Kodu Profile Code	(kg/mt) weight
	5102	0,387



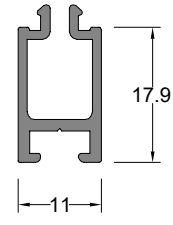
Cam Altı Takoz Profili GLASS UNDER WEDGE PROFILE	Profil Kodu Profile Code	(kg/mt) weight
	5113	0,282



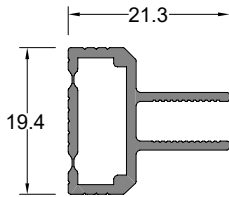
Kapak Altı Profili COVER UNDER PROFILE	Profil Kodu Profile Code	(kg/mt) weight
	5104	0,569



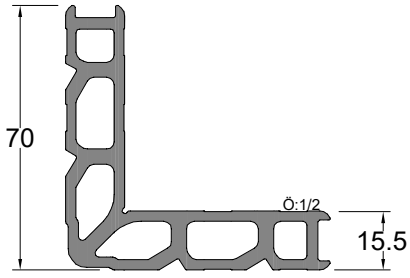
Yükseltme Çıta Profili EXTENSION BEAD PROFILE	Profil Kodu Profile Code	(kg/mt) weight
	5097	0,198



Yükseltme Çıta Profili EXTENSION BEAD PROFILE	Profil Kodu Profile Code	(kg/mt) weight
	5059	0,210

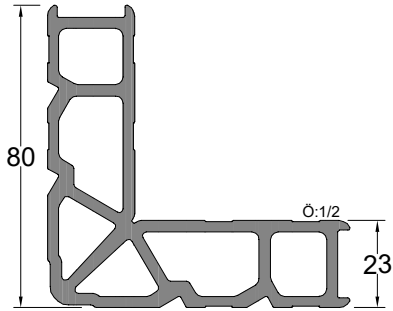


Isıcam Spacer Profili DOUBLE GLAZING SPACER PROFILE	Profil Kodu Profile Code	(kg/mt) Weight
	6117	0,254



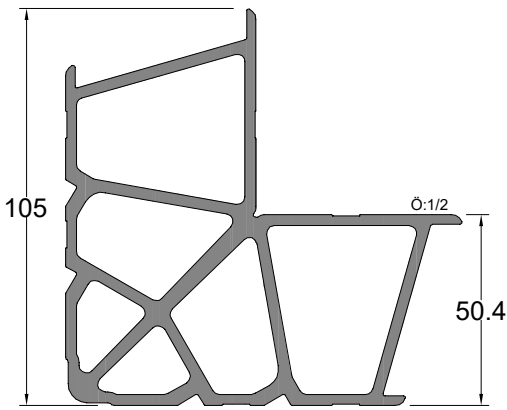
Köşe Takoz Profili CORNER WEDGE PROFILE	Profil Kodu Profile Code	(kg/mt) Weight
	1695	2,540

Köşe Takozu Profil Kodu Corner Wedge Profile Code	Kullanıldığı Profil Compatible Profile	Kesim Boyu (mm) Cutting Length (mm)
1695	12301	55,45 mm



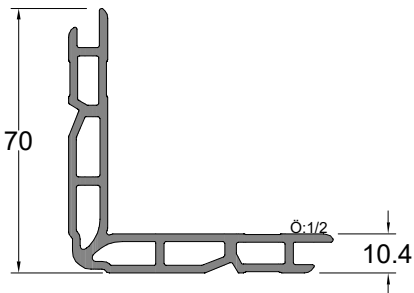
Köşe Takoz Profili CORNER WEDGE PROFILE	Profil Kodu Profile Code	(kg/mt) Weight
	3546	3,357

Köşe Takozu Profil Kodu Corner Wedge Profile Code	Kullanıldığı Profil Compatible Profile	Kesim Boyu (mm) Cutting Length (mm)
3546	12298	20,50 mm



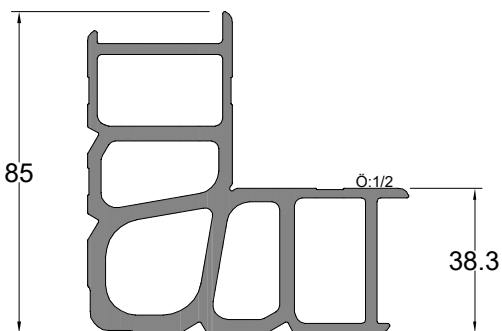
Köşe Takoz Profili CORNER WEDGE PROFILE	Profil Kodu Profile Code	(kg/mt) Weight
	3547	4,884

Köşe Takozu Profil Kodu Corner Wedge Profile Code	Kullanıldığı Profil Compatible Profile	Kesim Boyu (mm) Cutting Length (mm)
3547	12299	24,50 mm



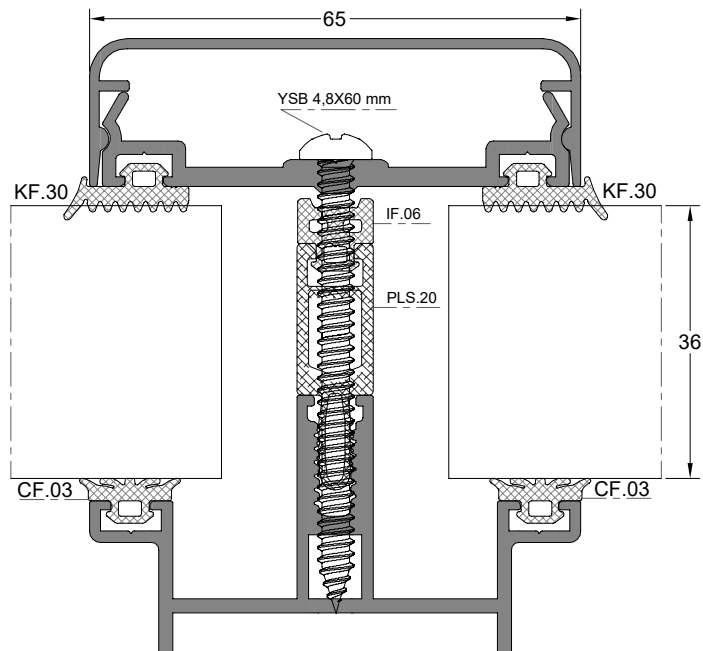
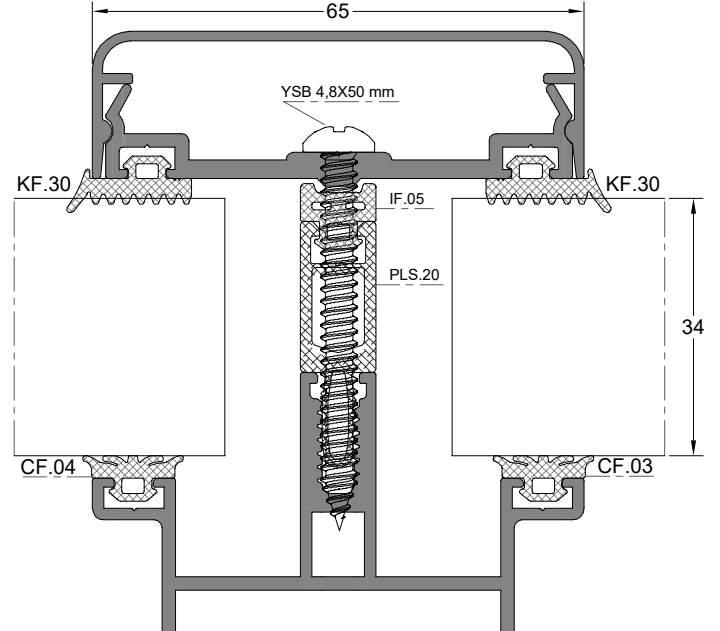
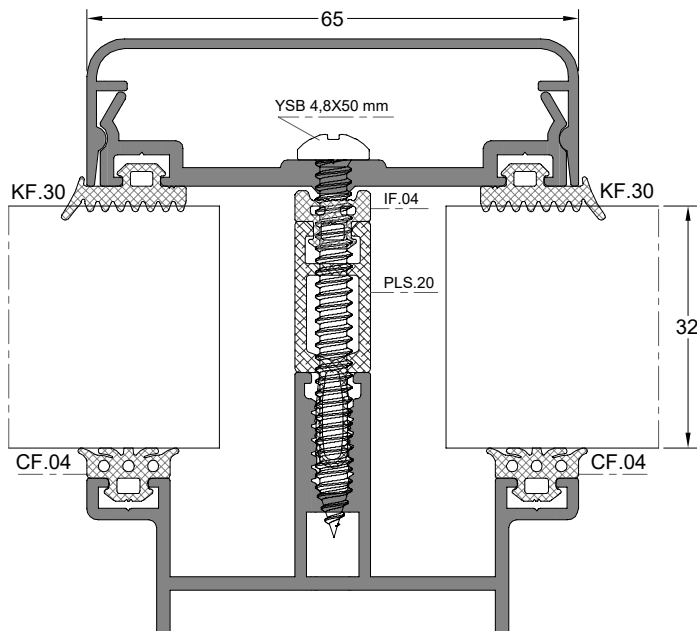
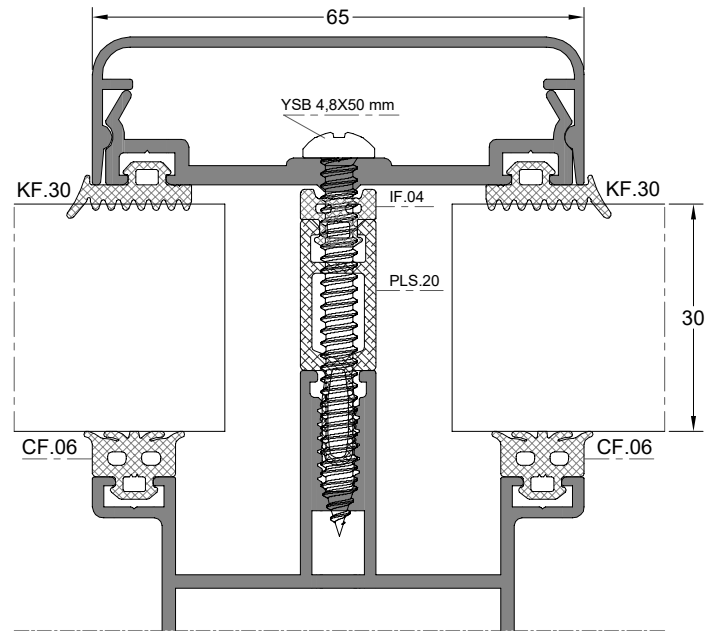
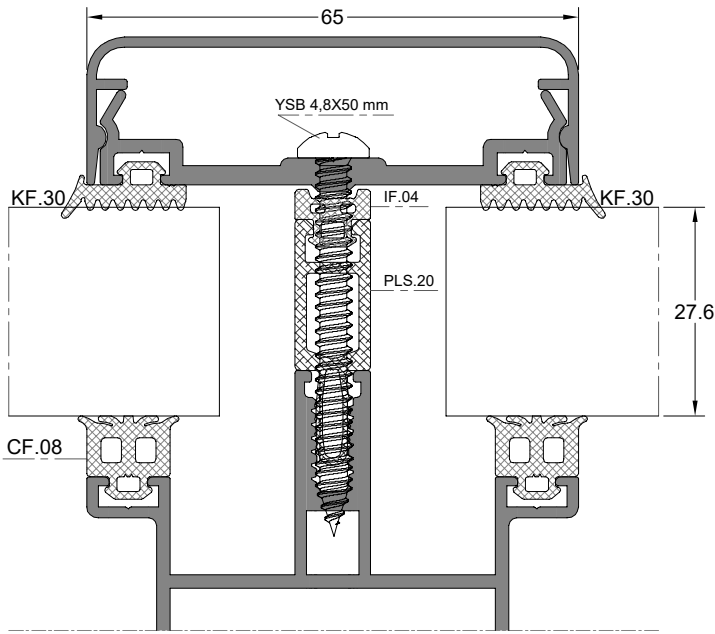
Köşe Takoz Profili CORNER WEDGE PROFILE	Profil Kodu Profile Code	(kg/mt) Weight
	598	1,677

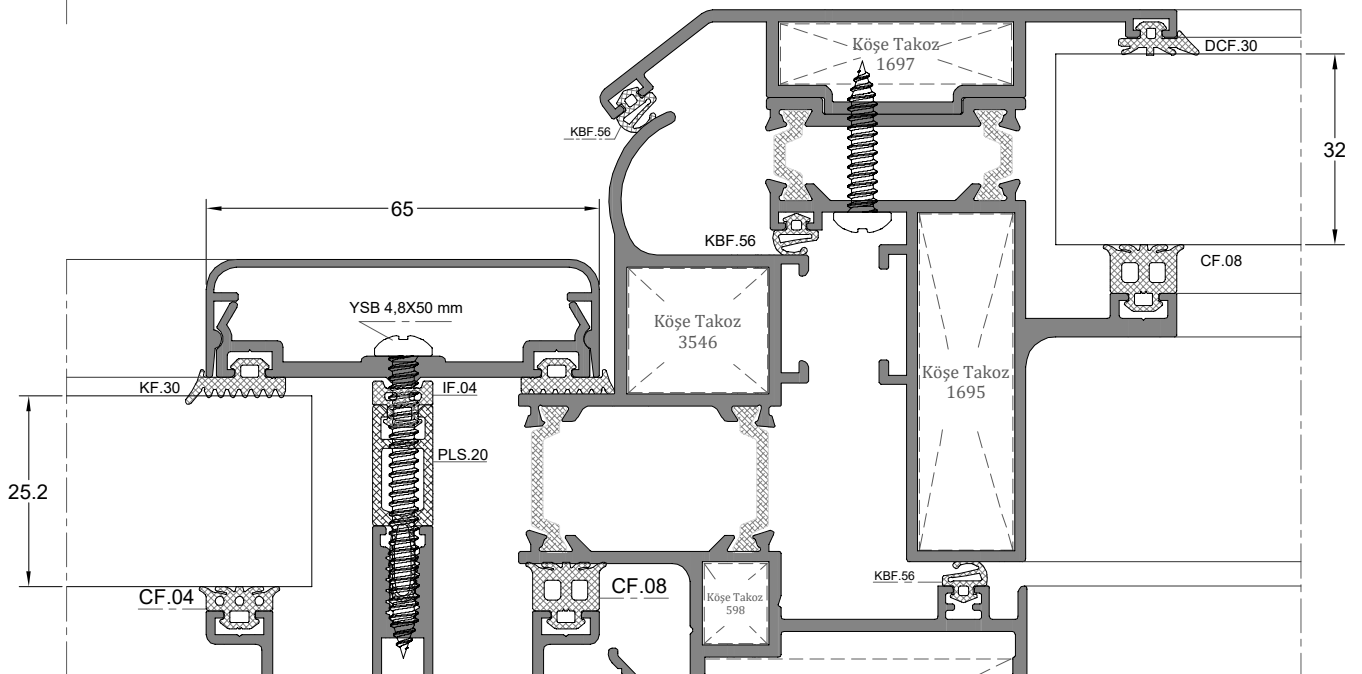
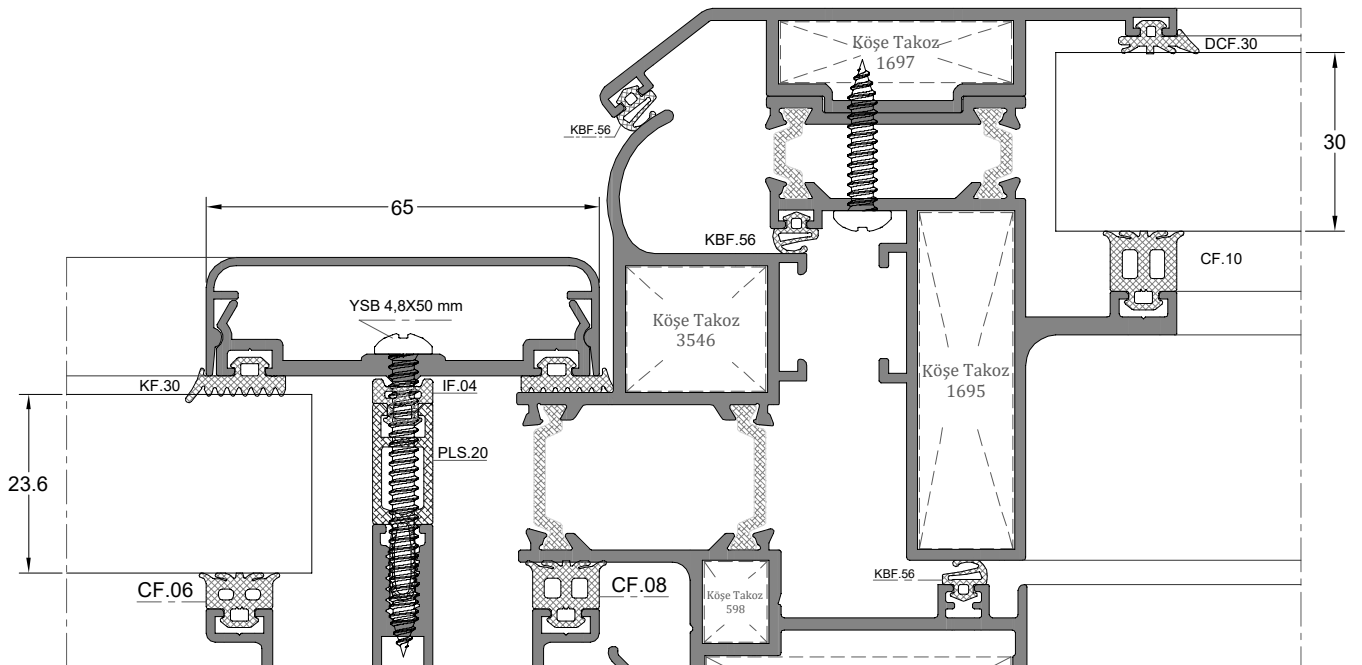
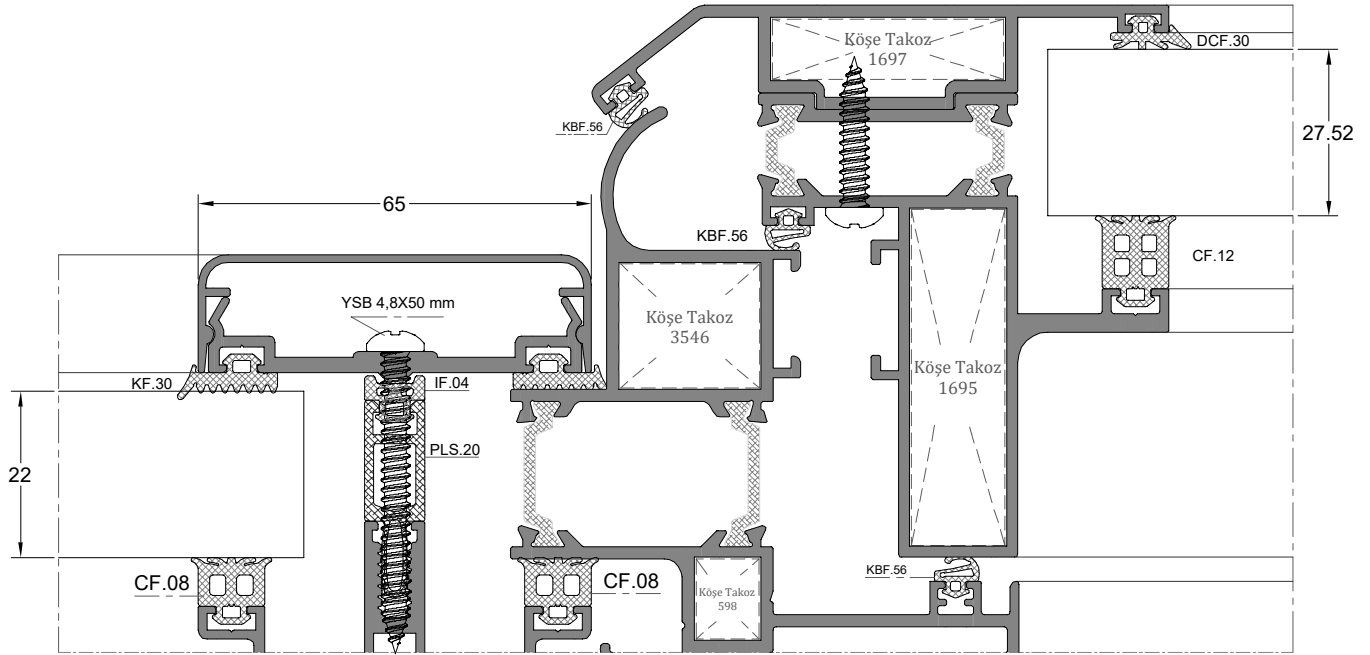
Köşe Takozu Profil Kodu Corner Wedge Profile Code	Kullanıldığı Profil Compatible Profile	Kesim Boyu (mm) Cutting Length (mm)
598	12299	13,30 mm

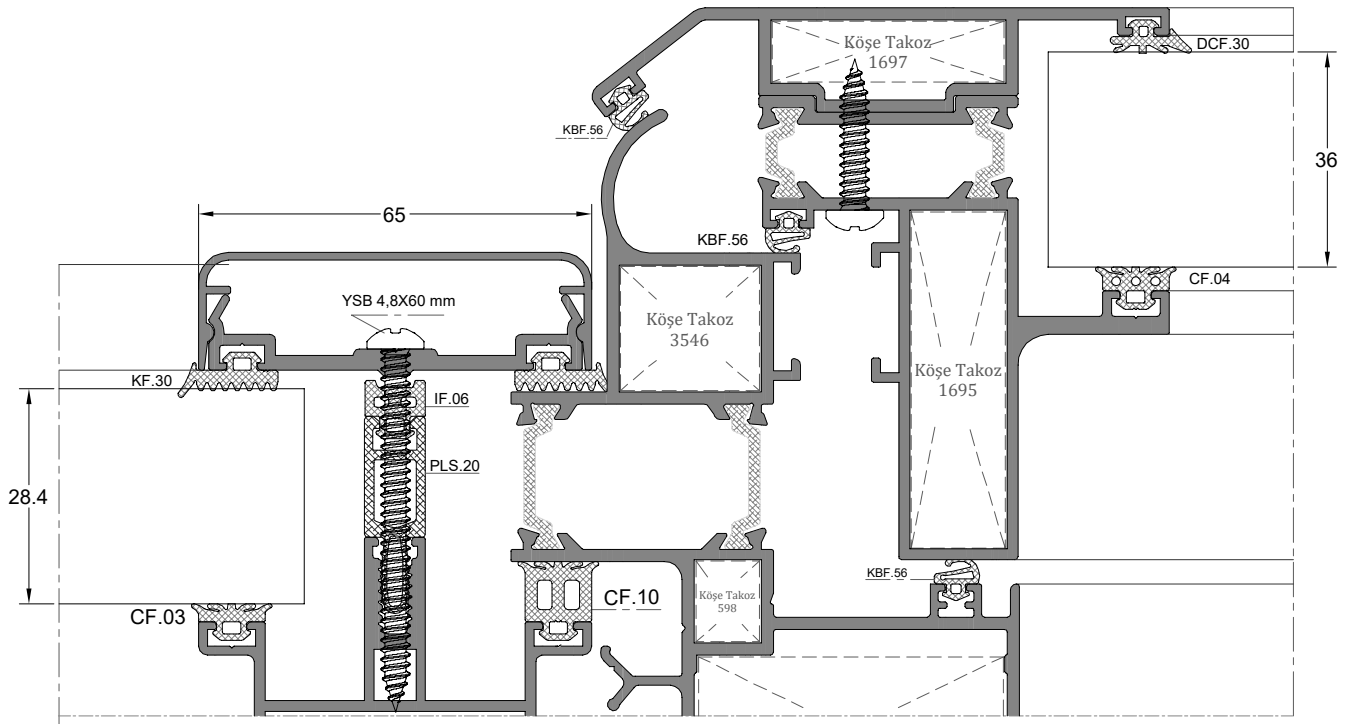
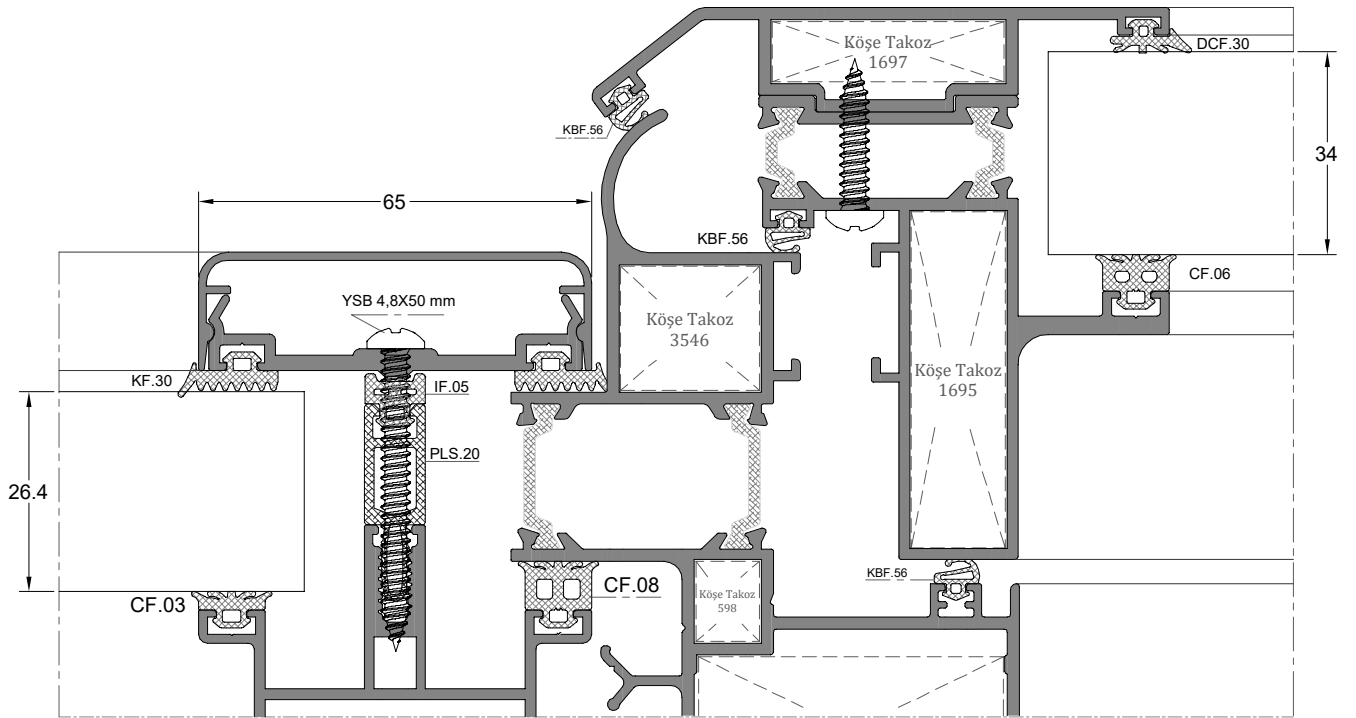


Köşe Takoz Profili CORNER WEDGE PROFILE	Profil Kodu Profile Code	(kg/mt) Weight
	1697	4,212

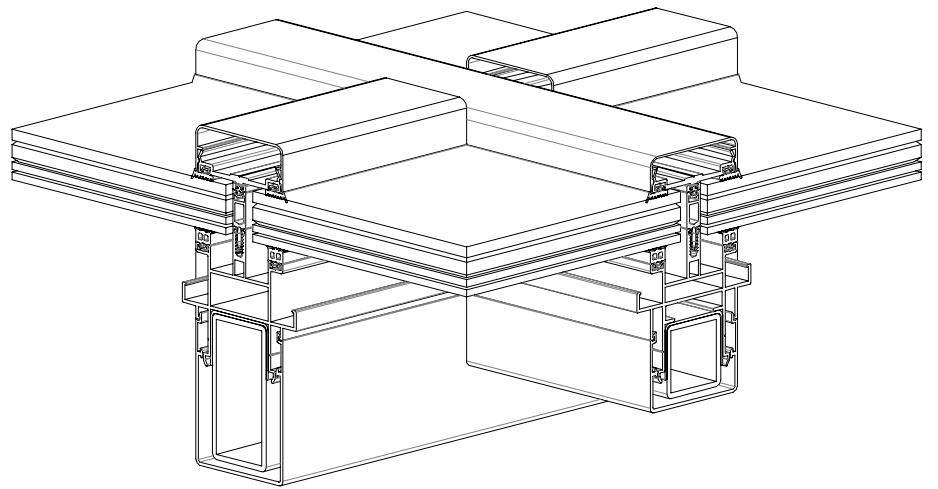
Köşe Takozu Profil Kodu Corner Wedge Profile Code	Kullanıldığı Profil Compatible Profile	Kesim Boyu (mm) Cutting Length (mm)
1697	12303	10,00 mm

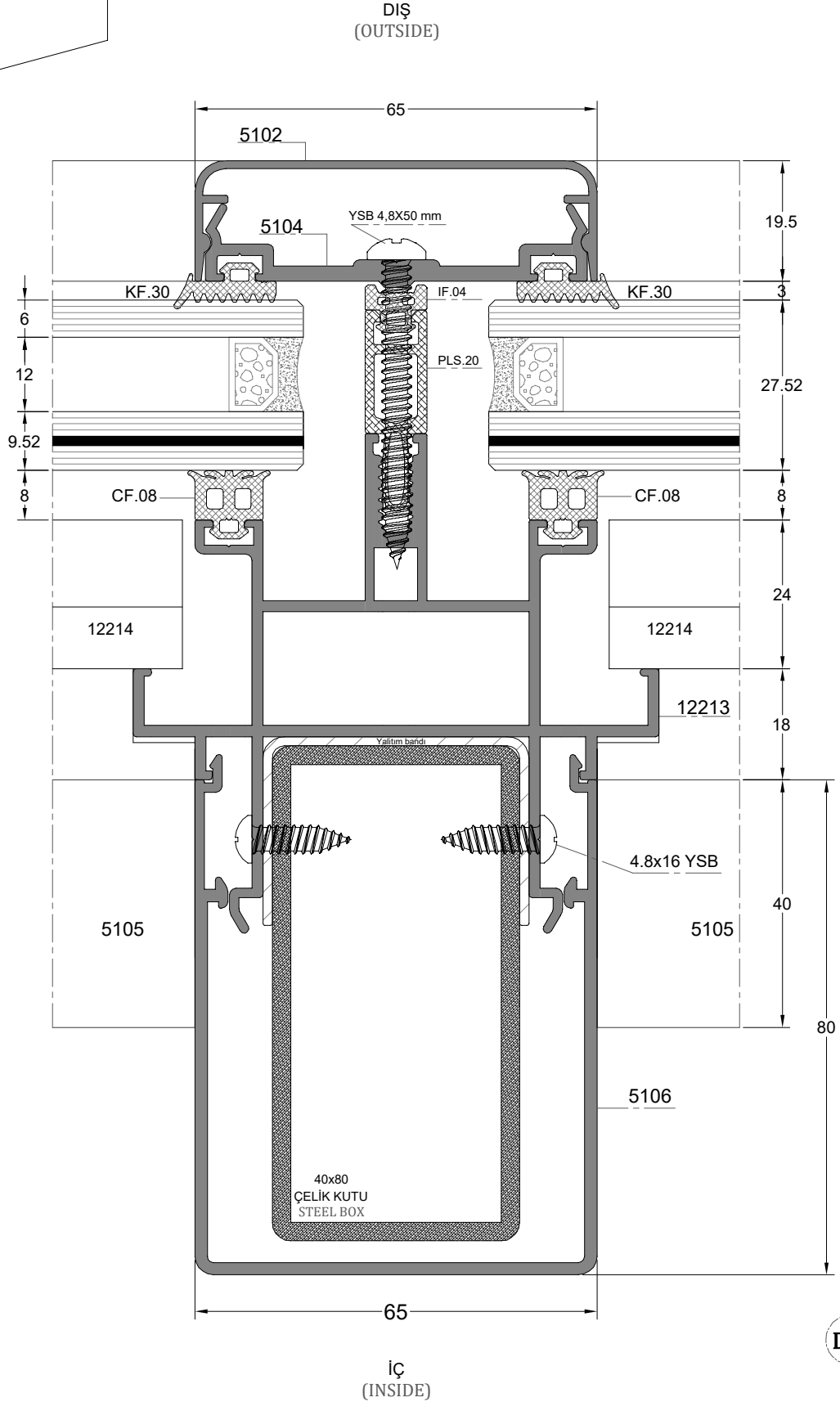
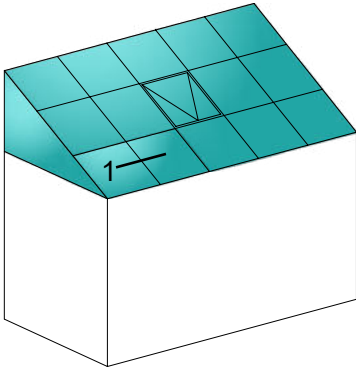


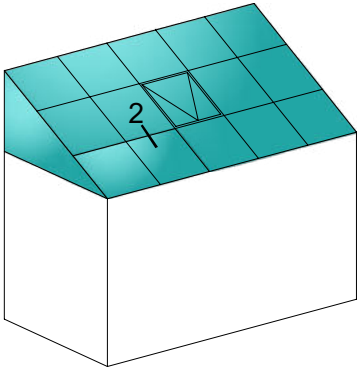




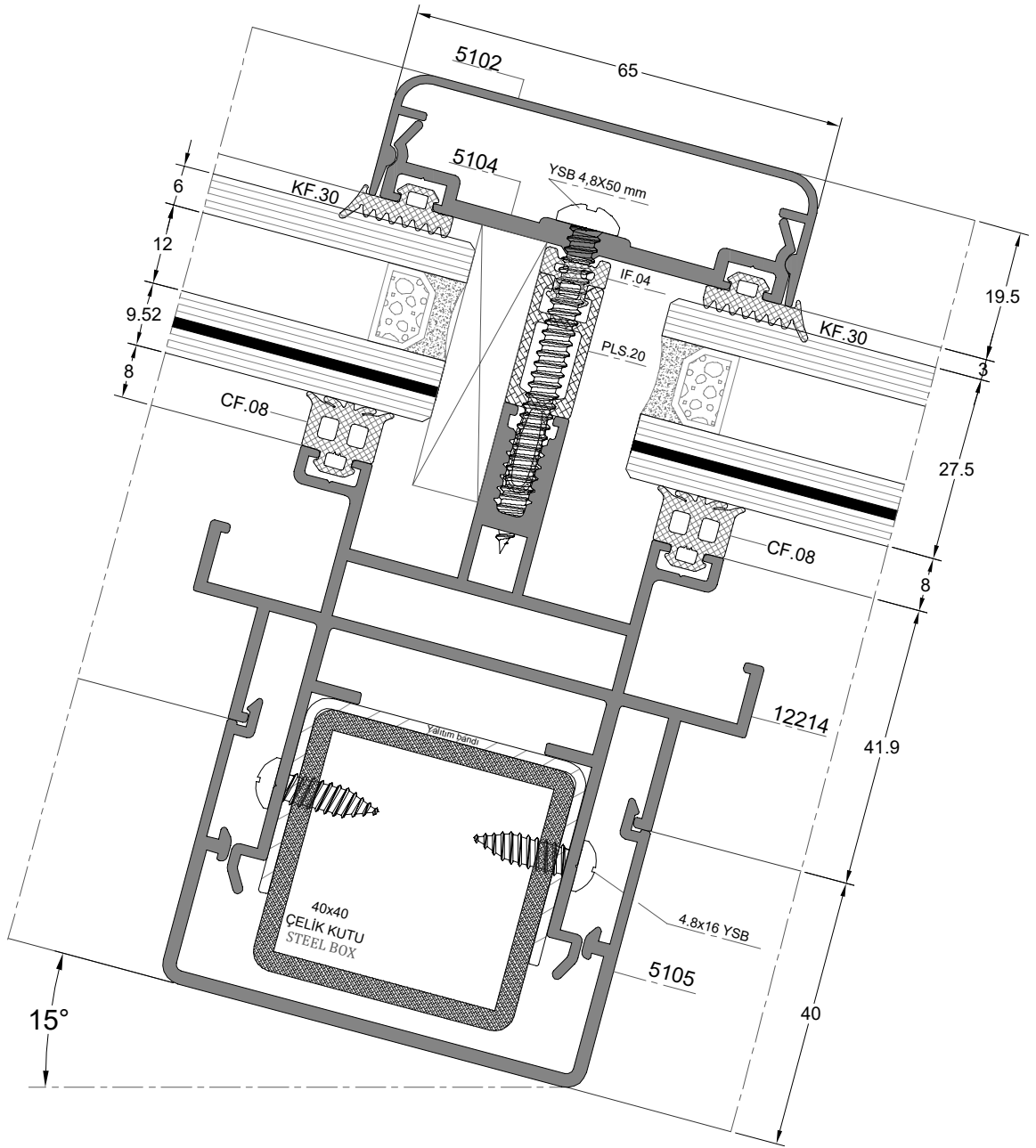
SK65 IŐIKLIK SİSTEMİ DETAYLARI SK65 SKYLIGHT DETAILS





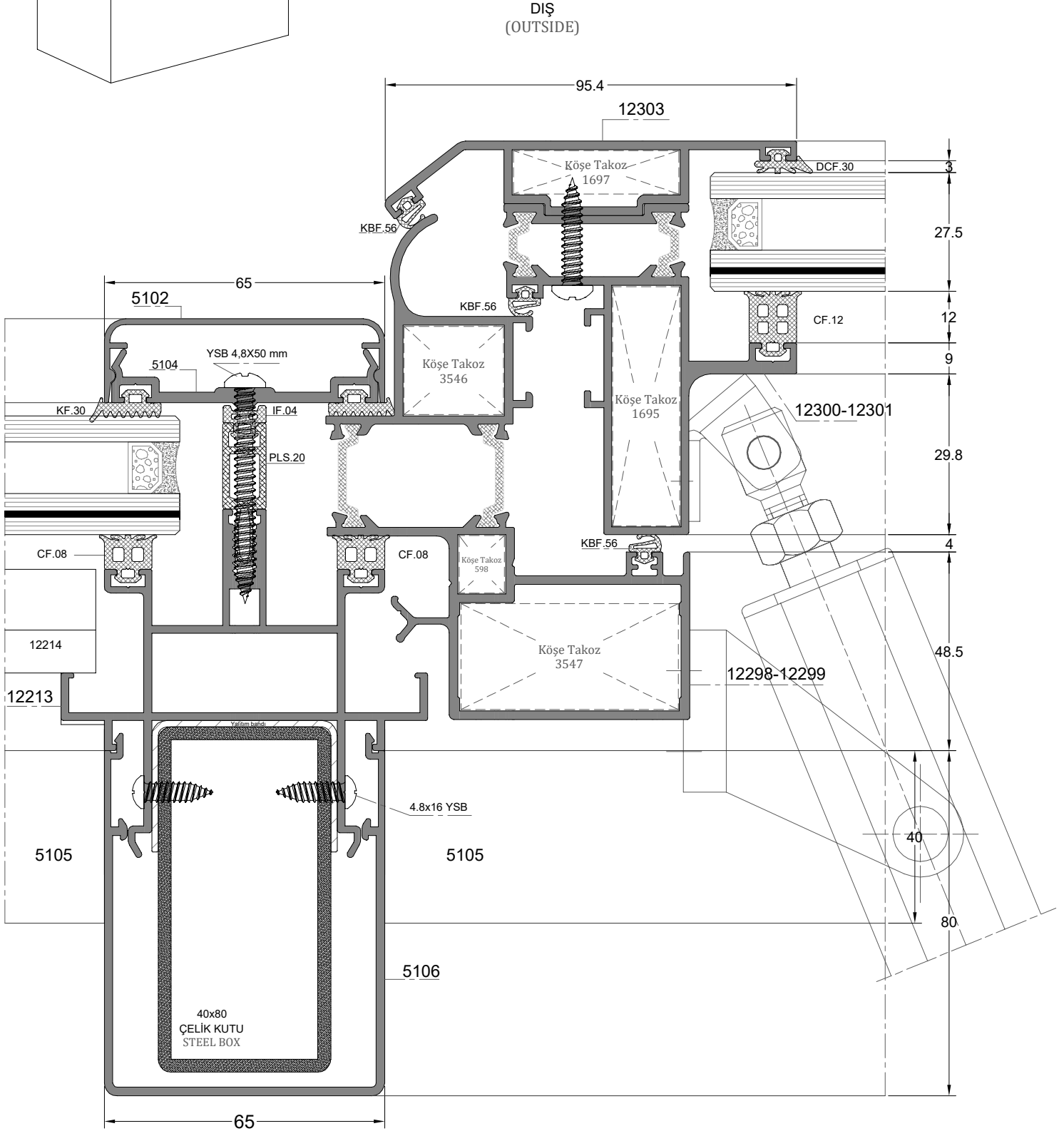
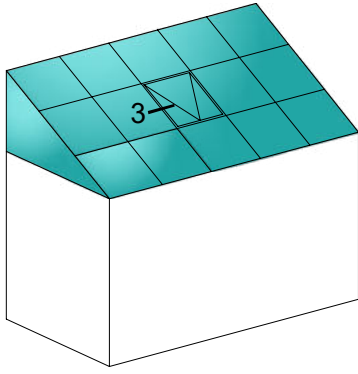


DIŞ
(OUTSIDE)



İÇ
(INSIDE)

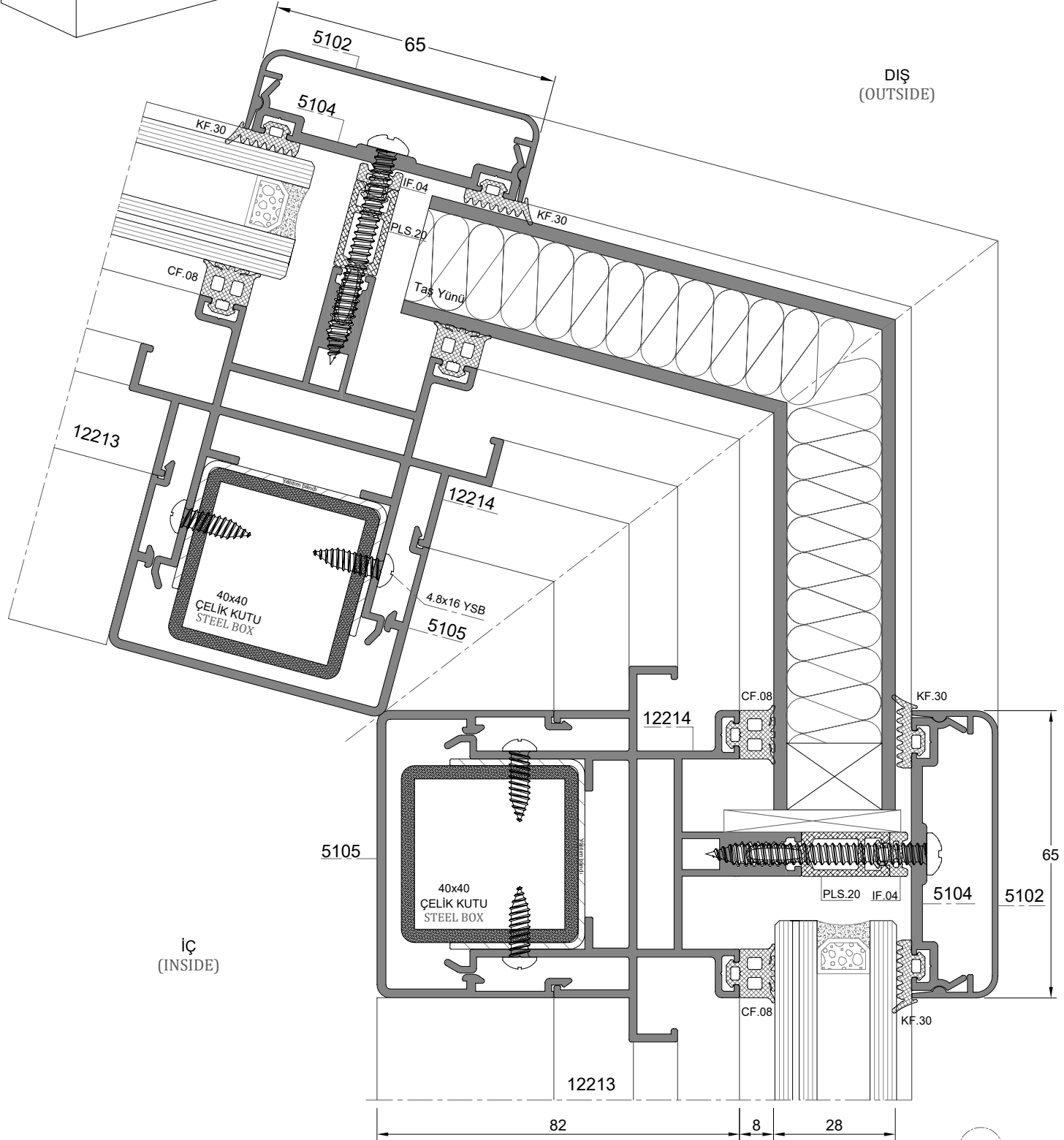
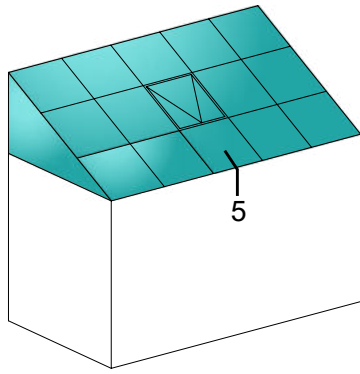
D-2



D-3

İÇ
(INSIDE)

ÖLÇEK
(SCALE) $\frac{4}{5}$



D-5

ÖLÇEK
(SCALE) $\frac{4}{5}$

