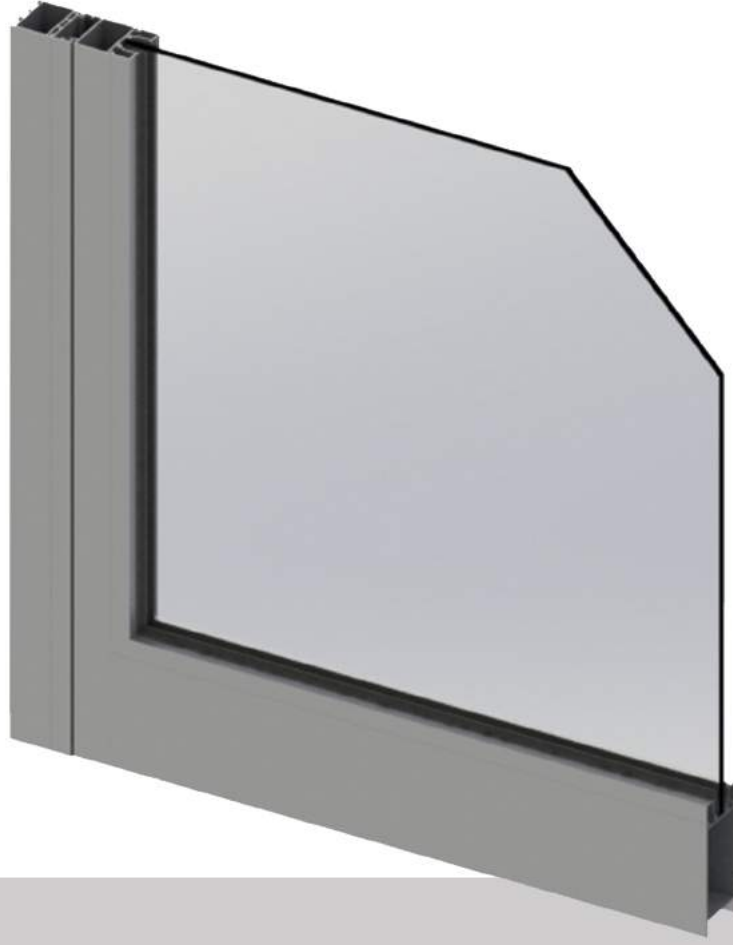
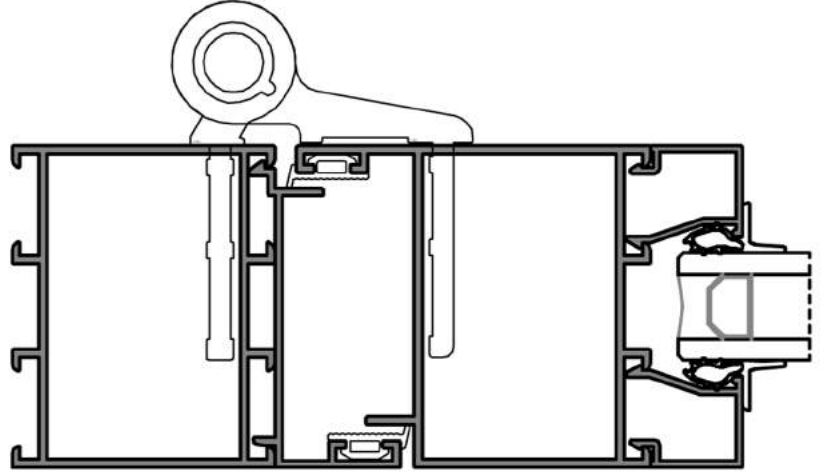
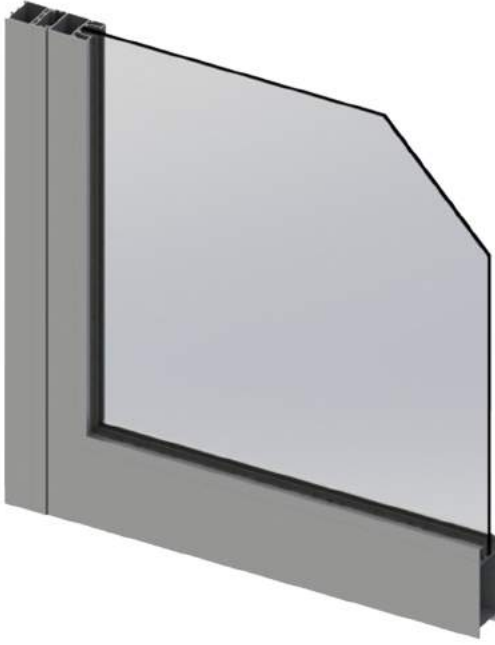


Kapı ve Pencere Sistemi  
Window and Door System



# WWD60

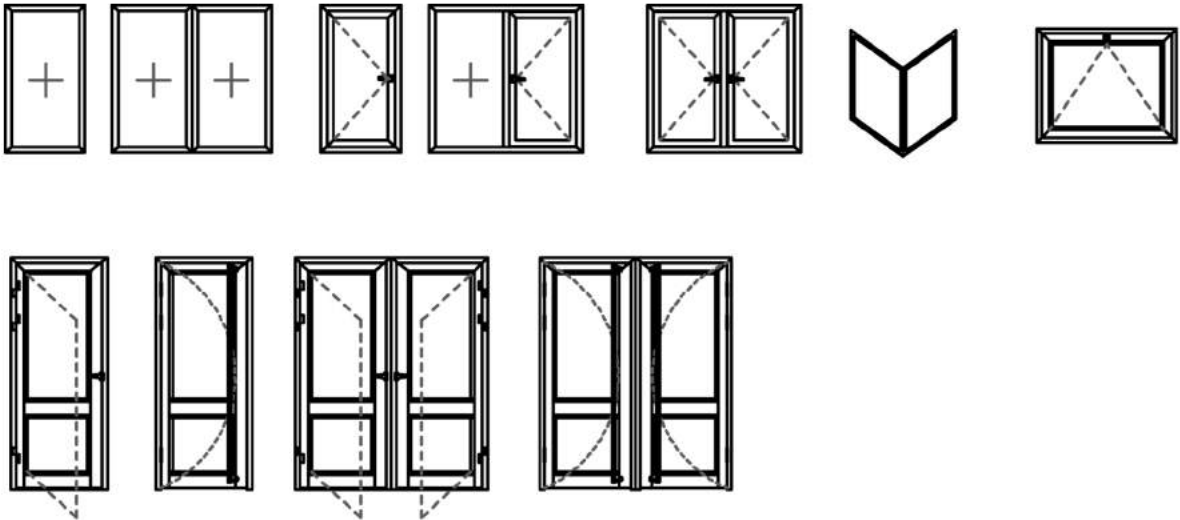
**Kapı ve Pencere Sistem**  
Window and Door System



## TEKNİK ÖZELLİKLER / TECHNICAL PROPERTIES

KASA DERİNLİĞİ / FRAME DEPTH	60 mm
KANAT DERİNLİĞİ / SASH DEPTH	60 mm
ET KALINLIĞI / WALL THICKNESS	1,2 – 1,5 – 1,6 – 2 mm
MIN/MAX CAM KALINLIĞI / MIN/MAX GLASS THICKNESS	4-28 mm
ISI BARIYER / THERMAL BREAK	-

## UYGULAMA SEÇENEKLERİ / APPLICATION OPTIONS



PROF L KES T PROFILE SECTION	PROF L KODU PROFILE CODE	PROF L ADI PROFILE NAME	Jx cm <sup>4</sup>	Jy cm <sup>4</sup>	A IRLIK (kg/m) WEIGHT
	478	DAR KASA PROF L FRAME PROFILE	-	-	0,770kg/mt
	530	DAR KASA PROF L FRAME PROFILE	-	-	0,826kg/mt
	2021	KASA PROF L FRAME PROFILE	-	-	1,264 kg/mt
	452	KASA PROF L FRAME PROFILE	-	-	1,013 kg/mt
	569	KASA PROF L FRAME PROFILE	-	-	0,861kg/mt
	521	KASA PROF L FRAME PROFILE	-	-	1,290 kg/mt
	522	KASA PROF L FRAME PROFILE	-	-	1,029 kg/mt
	705	TAKV YEL KASA PROF L REINFORCED FRAME PROFILE	-	-	1,914 kg/mt
	6080	KANAT PROF L SASH PROFILE	-	-	0,888 kg/mt
	2020	KANAT PROF L SASH PROFILE	-	-	1,339 kg/mt
	451	KANAT PROF L SASH PROFILE	-	-	1,064 kg/mt
	475	GEN KANAT PROF L WIDE SASH PROFILE	-	-	1,381 kg/mt
	457	GEN KASA-KANAT PROF L WIDE FRAME-SASH PROFILE	-	-	1,419 kg/mt
	456	ETEK PROF L BOTTOM PROFILE	-	-	2,112 kg/mt
	518	ETEK PROF L BOTTOM PROFILE	-	-	1,621 kg/mt
	7396	ETEK PROF L BOTTOM PROFILE	-	-	1,435 kg/mt
	453	KÖ E DÖNÜ PROF L CORNER PROFILE	-	-	1,059 kg/mt
	700	ADAPTÖR PROF L ADAPTER PROFILE	-	-	0,370 kg/mt
	704	ADAPTÖR PROF L ADAPTER PROFILE	-	-	0,410 kg/mt



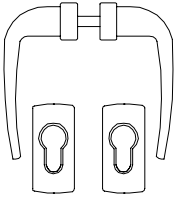







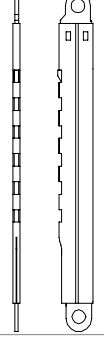
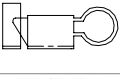





\*\* Her profil için minimum sipari 300 kg'dır.  
\*\* Minimum order quantity is 300 kg per profile.



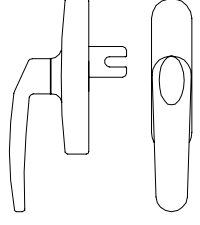



PROF L KES T PROFILE SECTION	PROF L KODU PROFILE CODE	PROF L ADI PROFILE NAME	Jx cm <sup>4</sup>	Jy cm <sup>4</sup>	A IRLIK (kg/m) WEIGHT
	6975	ÇITA PROF L BEAD PROFILE	-	-	0,203 kg/mt
	455	ÇITA PROF L BEAD PROFILE	-	-	0,207 kg/mt
	2023	ÇITA PROF L BEAD PROFILE	-	-	0,277 kg/mt
	454	ÇITA PROF L BEAD PROFILE	-	-	0,228 kg/mt
	2022	ÇITA PROF L BEAD PROFILE	-	-	0,262 kg/mt
	2279	ÇITA PROF L BEAD PROFILE	-	-	0,236 kg/mt
	509	ÇITA PROF L BEAD PROFILE	-	-	0,277 kg/mt
	2273	ÇITA PROF L BEAD PROFILE	-	-	0,336 kg/mt
	5786	ÇITA PROF L BEAD PROFILE	-	-	0,363 kg/mt
	2281	ÇITA PROF L BEAD PROFILE	-	-	0,363 kg/mt
	508	KÖ E ÇAVU BA LANTI PROF L CORNER JOINT PROFILE	-	-	1,112 kg/mt
	458	D K B LANTI PROF L CONNECTION PROFILE	-	-	1,508 kg/mt
	410	KÖ E BA LANTI TAKOZ PROF L CORNER WEDGE PROFILE	-	-	6,094g/mt
	701	ADAPTÖR PROF L ADAPTER PROFILE	-	-	0,380 kg/mt
	510	ADAPTÖR PROF L ADAPTER PROFILE	-	-	0,255 kg/mt
	5601	ADAPTÖR PROF L ADAPTER PROFILE	-	-	0,216 kg/mt
	2030	EK ADAPTÖR PROF L ADAPTER PROFILE	-	-	0,247 kg/mt
	481	KASA ADAPTÖR PROF L FRAME ADAPTER PROFILE	-	-	0,183 kg/mt

\*\* Her profil için minimum sipari 300 kg'dır.  
\*\* Minimum order quantity is 300 kg per profile.

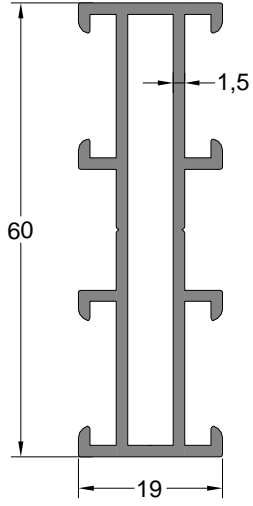


AKSESUAR ACCESSORY	STOK KODU REFERENCE CODE	AKSESUAR ADI DESCRIPTION	AKSESUAR KODU PRODUCT CODE	PAKET PACK
	03 020501	HORTUMLU CAM F T L 6MM BUBBLED GLAZING GASKET 6 MM	WD60-HCF.60	1pk / 100 mt
	03 020502	HORTUMLU CAM F T L 4MM BUBBLED GLAZING GASKET 4 MM	WD60-HCF.40	1pk / 100 mt
	03 020503	HORTUMLU CAM F T L 3MM BUBBLED GLAZING GASKET 3 MM	WD60-HCF.30	1pk / 100 mt
	03 070106	KAMA F T L 2319 (2MM) EPDM GASKET 2319 (2 MM)	WD60-KF.20	1 pk / 250 mt
	03 070103	KAMA F T L 2300(3MM) EPDM GASKET 2300 (3MM)	WD60-KF.30	1 pk / 200 mt
	03 070101	KAMA F T L 2209 (4MM) EPDM GASKET 2209 (4 MM)	WD60-KF.40	1 pk / 140 mt
	03 070105	KAMA F T L 2210 (5MM) SPLINE GASKET 2210 (5MM)	WD60-KF.50	1 pk / 135 mt
	03 015517	KAMA F T L 5517 (6MM) EPDM GASKET 5517 (6 MM)	WD60-KF.60	1 pk / 100 mt
	03 020211	C60 KANAT F T L C60 SASH GASKET	WD60-CF.211	1 pk / 150 mt
	01 150200	ALÜM NYUM KAPI ALTI FIRÇASI ALUMINUM DOORBASE BRUSH	WD60-KF.200	1 pk/ 100 ad
	03 050712	FIRÇA F T L (6,8x10 mm) WEATHER STRIP (6,8x10 mm)	WD60-FÇ.712	1 pk / 200 mt
	01 010801	YAPRAK MENTE E (ELOKSAL) BACKFLAP HINGE (ANODIZED)	WD60-YM.801	1 koli/ 100 ad
	01 010802	YAPRAK MENTE E (BEYAZ) BACKFLAP HINGE (WHITE)	WD60-YM.802	1 koli/ 100 ad
	01 010803	YAPRAK MENTE E (RENKL ) BACKFLAP HINGE (COLORED)	WD60-YM.803	1 koli/ 100 ad
	01 010701	TAKOZLU MENTE E (ELOKSAL) WEDGE HINGE (ANODIZED)	WD60-TM.701	1 koli/ 50 ad
	01 010702	TAKOZLU MENTE E (BEYAZ) WEDGE HINGE (WHITE)	WD60-TM.702	1 koli/ 50 ad
	01 010703	TAKOZLU MENTE E (RENKL ) WEDGE HINGE (COLORED)	WD60-TM.703	1 koli/ 50 ad
	01 012206	ÇARPMA KAPI MENTE E (ELOKSAL) OUTWARD OPENING OVERLAPPING HINGE (ANODIZED)	WD60-ÇM.206	1 pk / 1 ad
	01 012202	ÇARPMA KAPI MENTE E (BEYAZ) OUTWARD OPENING OVERLAPPING HINGE (WHITE)	WD60-ÇM.202	1 pk / 1 ad
	01 012208	YAYLI MENTE E BESLEME ÇITASI SPRING HINGE SUPPLY BAR	WD60-BÇ.208	1 pk / 2 ad
	01 012101	YAYLI MENTE E NO:33 KADYUMLU SPRING HINGE NO:33 CADMIUM	WD60-YM.101	1 pk / 2 ad
	01 031201	YAY KOL (ELOKSAL) BOWED HANDLE (ANODIZED)	WD60-YK.201	1 pk / 10 ad

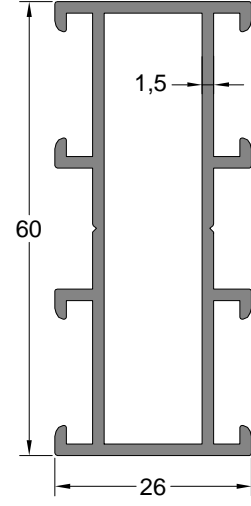
AKSESUAR ACCESSORY	STOK KODU REFERENCE CODE	AKSESUAR ADI DESCRIPTION	AKSESUAR KODU PRODUCT CODE	PAKET PACK
	01 031201	YAY KOL (ELOKSAL) BOWED HANDLE (ANODIZED)	WD60-YK.201	1 pk / 10 ad
	01 031350	KÖ EL H KOL (ELOKSAL) ANGULAR H HANDLE (ANODIZED)	WD60-KHK.350	1 pk / 10 ad
	01 040902	FORZA KAPI KOL (BEYAZ) FORZA DOOR HANDLE (WHITE)	WD60-FK.902	1 pk / 10 ad
	01 040903	FORZA KAPI KOLU (RENKL ) FORZA DOOR HANDLE (COLORED)	WD60-FK.903	1 pk / 10 ad
	01 040904	FORZA KAPI KOLU (NATUREL) FORZA DOOR HANDLE (NATURAL)	WD60-FK.904	1 pk / 10 ad
	01 031901	LAMA BANT KOL 90 cm-100 cm (ELOKSAL) 90 cm - 100 cm STRAP SHEET HANDLE (ANODIZED)	WD60-LBK.901	1 pk / 2 ad
	01 030401	25 mm 30 cm KIVRIK KOL (ELOKSAL) 25 mm 30 cm CONVOLUTED HANDLE (ANODIZED)	WD60-KK.401	1 pk / 10 ad
	01 030901	YARIM AY KAPI KOLU (ELOKSAL) SEMI-CIRCULAR DOOR HANDLE (ANODIZED)	WD60-YAK.901	1 pk / 1 ad
	01 040104	YAYLI SOS S KOL (ELOKSAL) SPRING TUBULAR HANDLE (ANODIZED)	WD60-YSK.104	1 pk / 1 ad
	01 070501	SAVYO SÜRGÜ (ELOKSAL) SAVIO LATCH (ANODIZED)	WD60-SS.501	1 pk / 12 ad
	01 130212	ORTA KAYIT BA LANTI SAC SHEET METAL MULLION CONNECTION	WD60-KB.212	1 pk / 100 ad
	01 031309	H KOL (ELOKSALLI) H-SHAPED HANDLE (ANODIZED)	WD60-HK.309	1 pk / 10 ad
	01 081000	AYARLI 5 KADEMEL MAKAS ADJUSTABLE TRUSS (ANODIZED)	WD60-KM.1000	1 pk / 10 ad
	01 081001	AYARLI 3 KADEMEL MAKAS ADJUSTABLE TRUSS (ANODIZED)	WD60-KM.1001	1 pk / 10 ad
	01 081501	VAS STAS ÇARPMA (ELOKSAL) TRANSOM CATCH (ANODIZED)	WD60-VÇ.501	1 pk / 50 ad
	01 031101	AKBANK KOL APARATI OVAL (ELOKSAL) AKBANK OVAL HANDLE TOOL(ANODIZED)	WD60-DKK.101	1 pk / 1 ad
	01 031104	AKBANK KOL APARATI AKBANK HANDLE TOOL	WD60-AKA.104	1 pk / 1 ad
	01 160103	PAN K BAR BARELS Z DOOR HANDLE (ANODIZED)	WD60-PBB.103	1 pk / 1 ad
	01 160106	PAN K BAR KOLU (K L TLENEB L R) DOOR HANDLE (LOCK WITH KEY)	WD60-PBK.106	1 pk / 1 ad
	01 060201	WD60 K L T KAR ILI I (ELOKSAL) WD60 LOCK STRIKER (ANODIZED)	WD60-KK.201	1 pk / 1 ad

AKSESUAR ACCESSORY	STOK KODU REFERENCE CODE	AKSESUAR ADI DESCRIPTION	AKSESUAR KODU PRODUCT CODE	PAKET PACK
	05 010201	BARELL MAKARALI K L T ROLLER LOCK	WD60-MK.201	1 pk / 1 ad
	05 010110	BARELL D LL K L T BOLT LOCK	WD60-DK.110	1 pk / 1 ad
	01 020702	FORZA EKSENEL PENCERE KOL (BEYAZ) FORZA AXIAL WINDOW HANDLE (WHITE)	WD60-FPK.702	1 pk / 20 ad
	01 020703	FORZA EKSENEL PENCERE KOL (RENKL ) FORZA AXIAL WINDOW HANDLE (COLORED)	WD60-FPK.703	1 pk / 20 ad
	01 020803	FORZA EKSENEL PENCERE KOL (NATUREL) FORZA AXIAL HANDLE (NATURAL)	WD60-FPK.803	1 pk / 20 ad
	01 080101	13 CM VAS STAS MAKAS (ELOKSALLI) SYSTEM 13 CM TRANSOM TRUSS (ANODIZED)	WD60-VM.101	1 pk / 50 ad
	01 080102	13 CM VAS STAS MAKAS (BEYAZ) SYSTEM 13 CM TRANSOM TRUSS (WHITE)	WD60-VM.102	1 pk / 50 ad
	01 080103	13 CM VAS STAS MAKAS (RENKL ) SYSTEM 13 CM TRANSOM TRUSS (COLORED)	WD60-VM.103	1 pk / 50 ad
	01 080201	22 CM VAS STAS MAKAS (ELOKSALLI) SYSTEM 22 CM TRANSOM TRUSS (ANODIZED)	WD60-VM.201	1 pk / 50 ad
	01 080202	22 CM VAS STAS MAKAS (BEYAZ) SYSTEM 22 CM TRANSOM TRUSS (WHITE)	WD60-VM.202	1 pk / 50 ad
	01 080203	22 CM VAS STAS MAKAS (RENKL ) SYSTEM 22 CM TRANSOM TRUSS (COLORED)	WD60-VM.203	1 pk / 50 ad
	11 011037	4,8X25 mm YHB SAC V DA 4,8X25 mm SCREW (STRAIGHT TOP)	WD60-SC.37	1 pk / 1000 ad

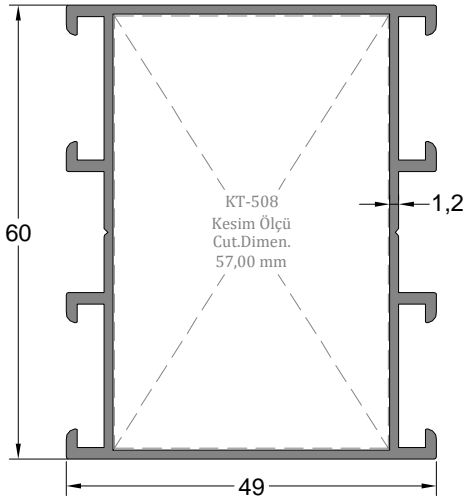




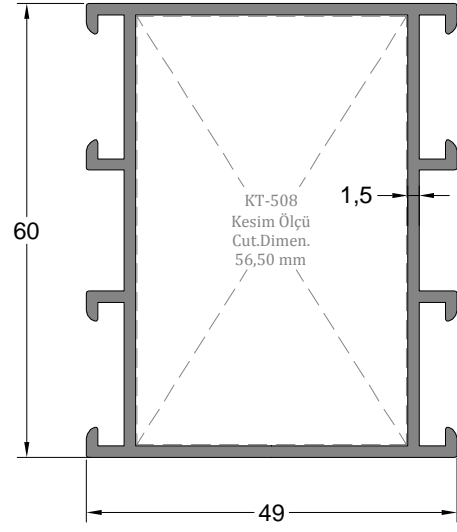
Dar Kasa Profili	Profil Kodu	(kg/mt)
FRAME PROFILE	Profile Code	Weight
	478	0,770



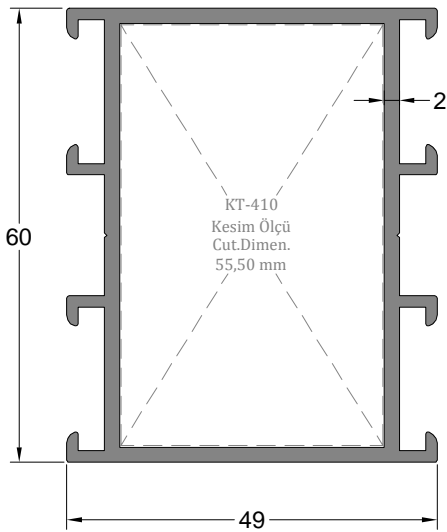
Dar Kasa Profili	Profil Kodu	(kg/mt)
FRAME PROFILE	Profile Code	Weight
	530	0,826



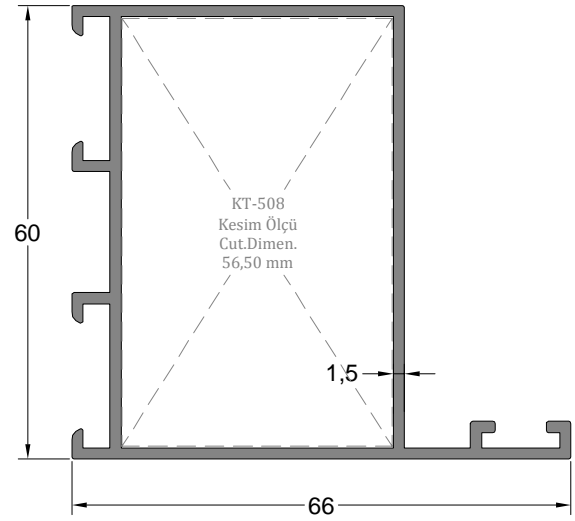
Kasa Profili	Profil Kodu	(kg/mt)
FRAME PROFILE	Profile Code	Weight
	569	0,861



Kasa Profili	Profil Kodu	(kg/mt)
FRAME PROFILE	Profile Code	Weight
	452	1,013

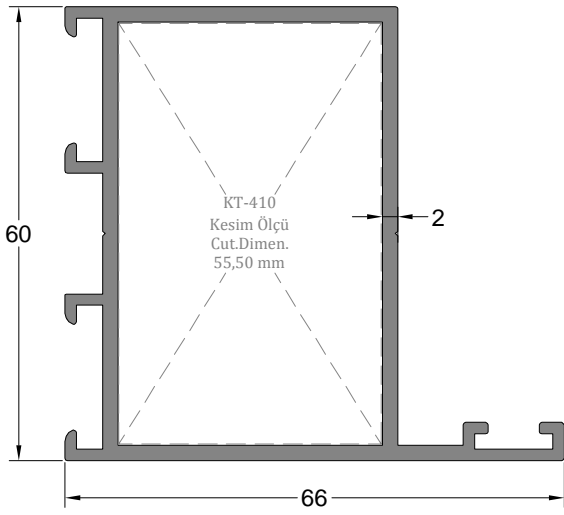


Kasa Profili	Profil Kodu	(kg/mt)
FRAME PROFILE	Profile Code	Weight
	2021	1,264

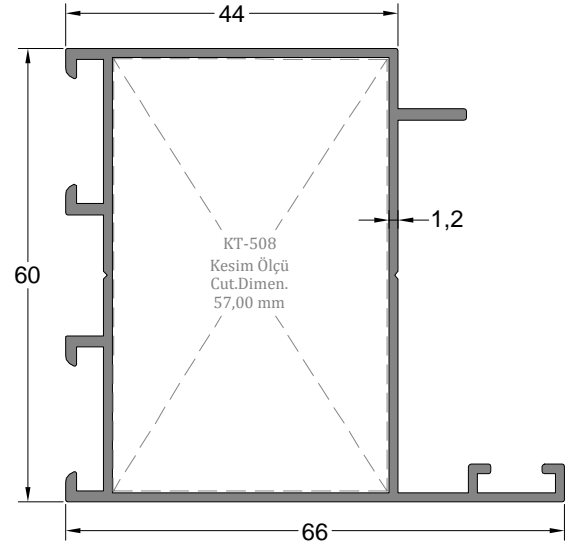


Kasa Profili	Profil Kodu	(kg/mt)
FRAME PROFILE	Profile Code	Weight
	522	1,029

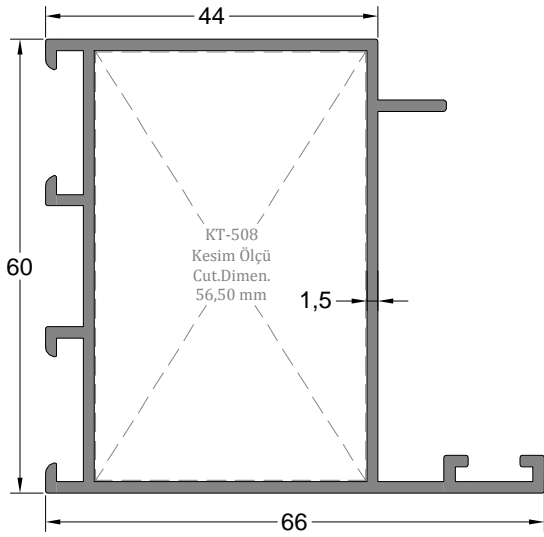
\*\* Her profil için minimum sipari 300 kg'dır.  
\*\* Minimum order quantity is 300 kg per profile.



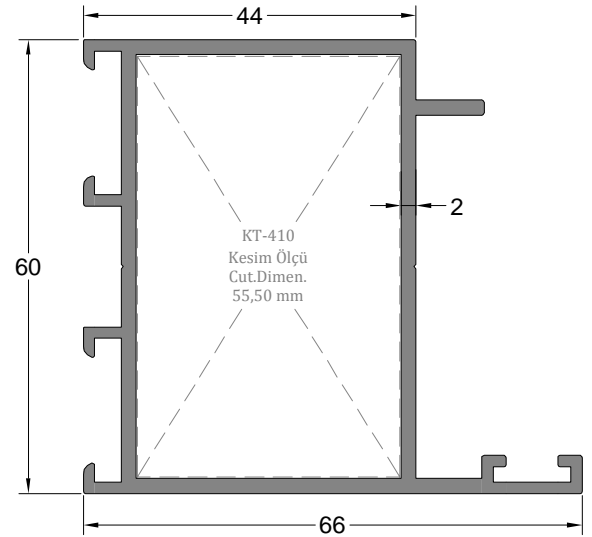
Kasa Profili	Profil Kodu	(kg/mt)
FRAME PROFILE	Profile Code	Weight
	521	1,290



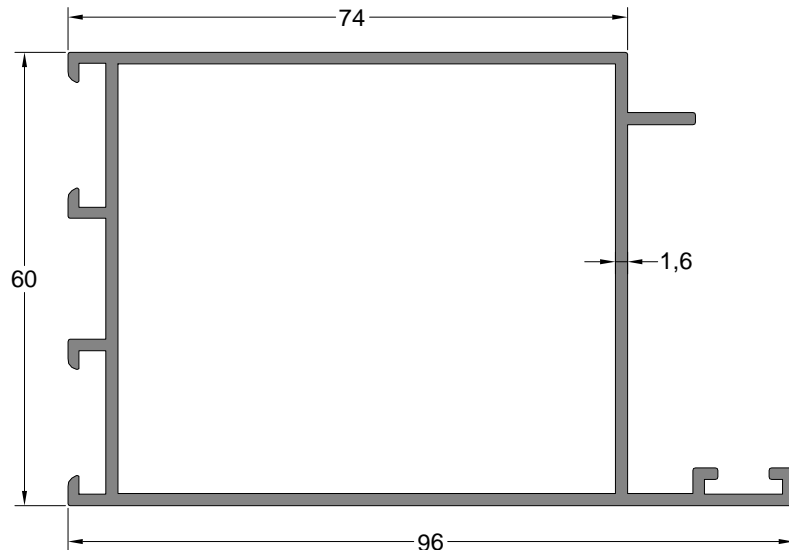
Kanat Profili	Profil Kodu	(kg/mt)
SASH PROFILE	Profile Code	Weight
	6080	0,888



Kanat Profili	Profil Kodu	(kg/mt)
SASH PROFILE	Profile Code	Weight
	451	1,064

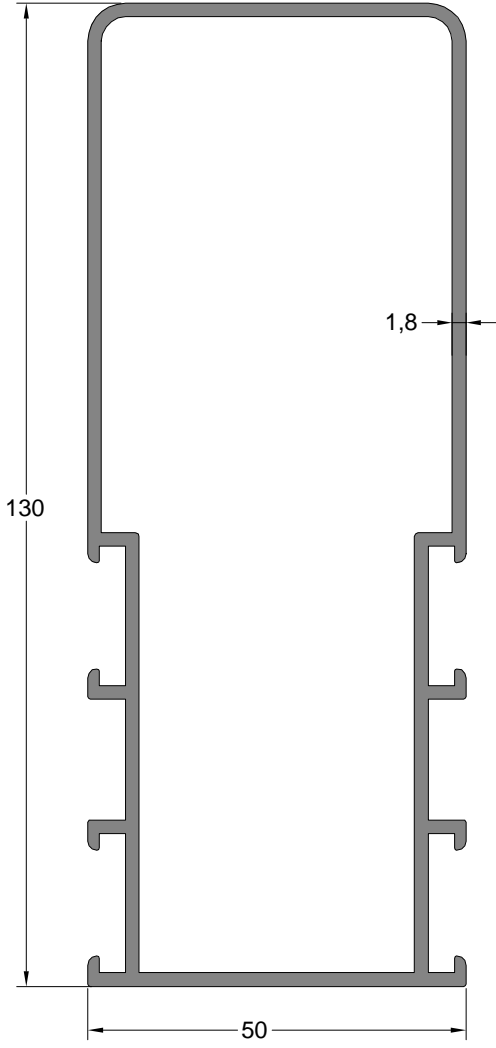


Kanat Profili	Profil Kodu	(kg/mt)
SASH PROFILE	Profile Code	Weight
	2020	1,339

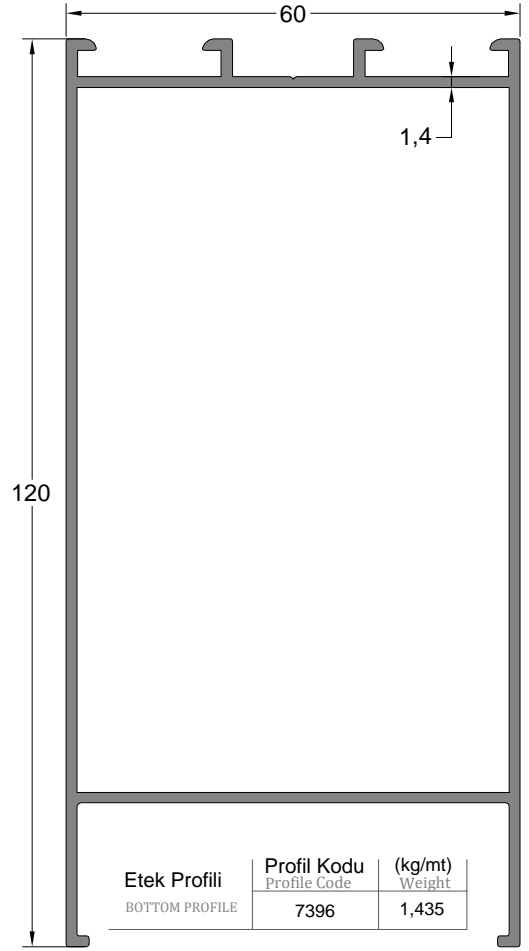


Geni Kanat Profili	Profil Kodu	(kg/mt)
LARGE SASH PROFILE	Profile Code	Weight
	475	1,381

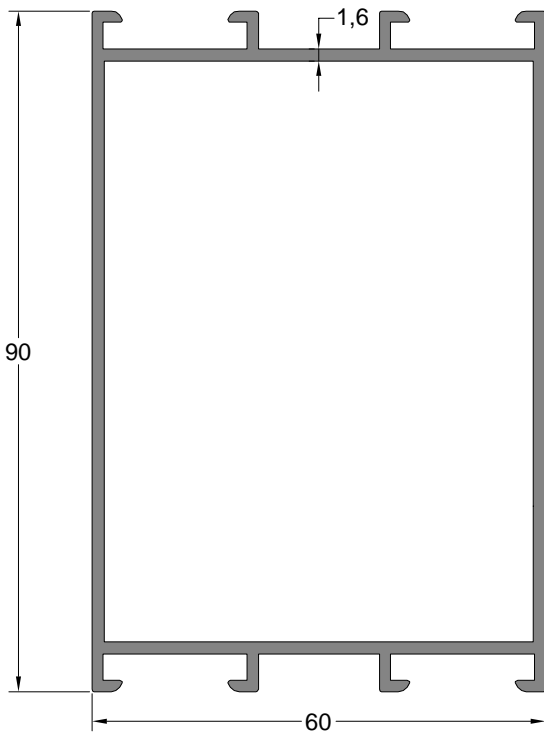
\*\* Her profil için minimum sipari 300 kg'dır.  
\*\* Minimum order quantity is 300 kg per profile.



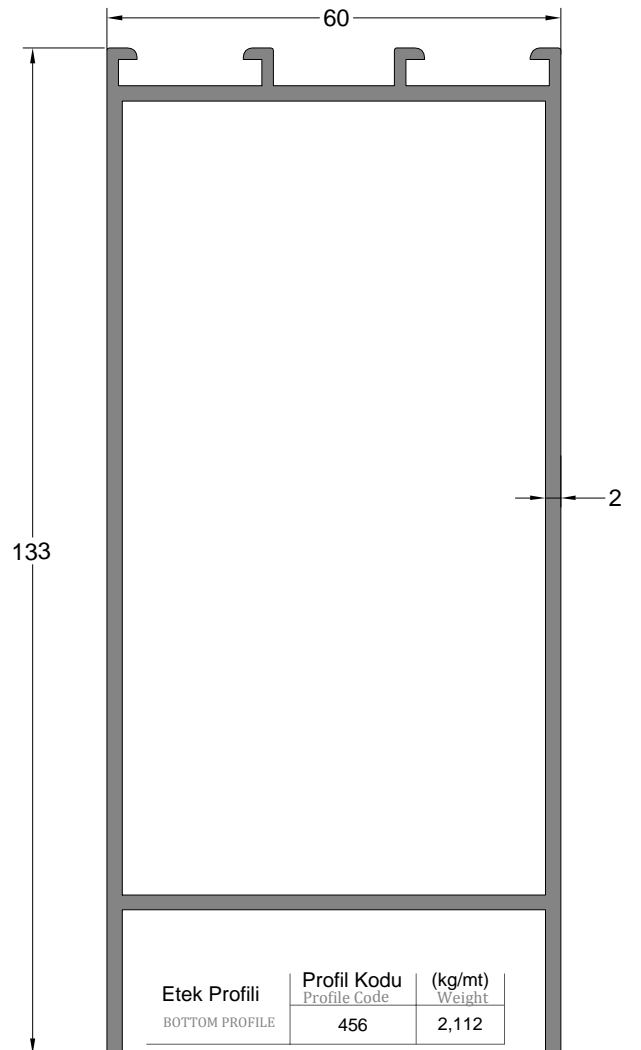
Takviyeli Kasa Profili	Profil Kodu	(kg/mt)
REINFORCED FRAME PROFILE	Profile Code	Weight
	705	1,914



Etek Profili	Profil Kodu	(kg/mt)
BOTTOM PROFILE	Profile Code	Weight
	7396	1,435

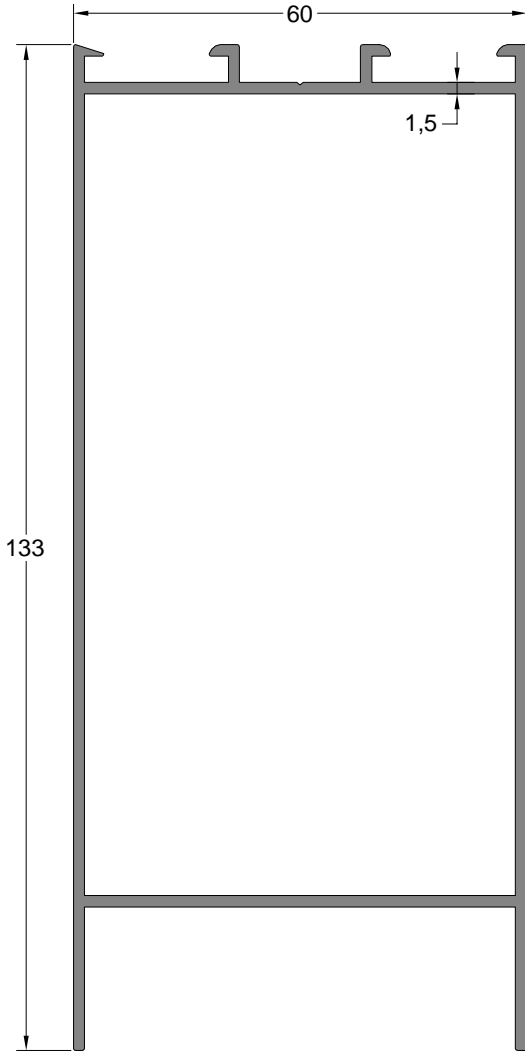


Geni Kasa-Kanat Profili	Profil Kodu	(kg/mt)
LARGE FRAME-SASH PROFILE	Profile Code	Weight
	457	1,419

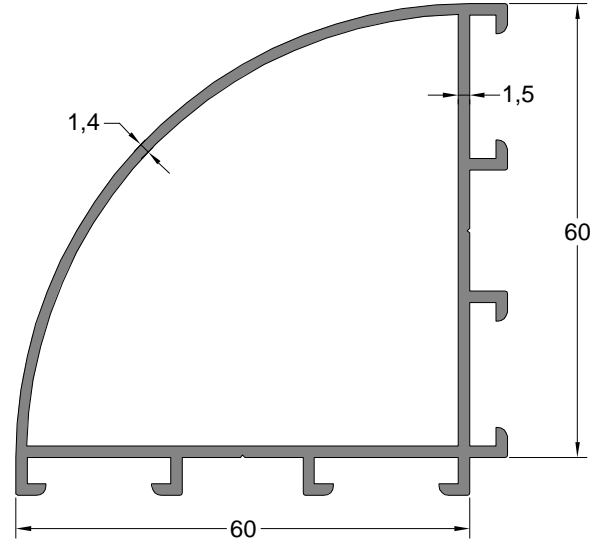


Etek Profili	Profil Kodu	(kg/mt)
BOTTOM PROFILE	Profile Code	Weight
	456	2,112

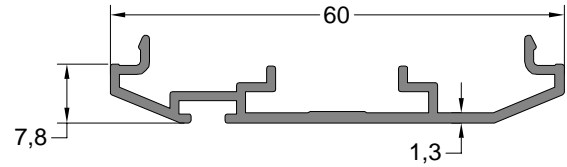
\*\* Her profil için minimum sipari 300 kg'dır.  
\*\* Minimum order quantity is 300 kg per profile.



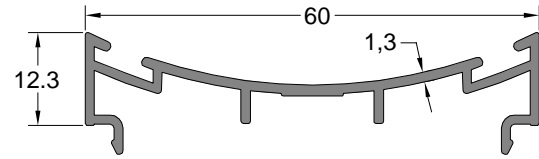
Etek Profili	Profil Kodu	(kg/mt)
BOTTOM PROFILE	518	1,621



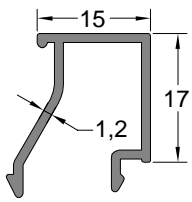
Kö e Dönü Profili	Profil Kodu	(kg/mt)
CORNER PROFILE	453	1,059



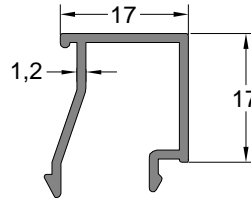
Adaptör Profili	Profil Kodu	(kg/mt)
ADAPTER PROFILE	700	0,370



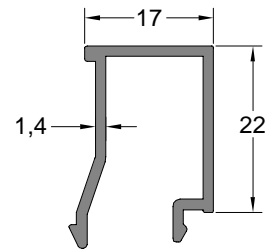
Adaptör Profili	Profil Kodu	(kg/mt)
ADAPTER PROFILE	704	0,410



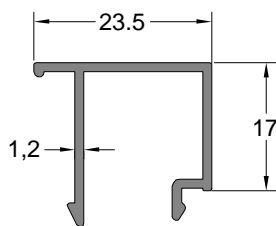
Çita Profili	Profil Kodu	(kg/mt)
BEAD PROFILE	6975	0,203



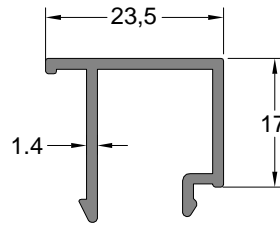
Çita Profili	Profil Kodu	(kg/mt)
BEAD PROFILE	455	0,207



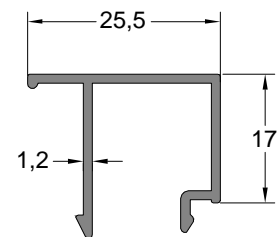
Çita Profili	Profil Kodu	(kg/mt)
BEAD PROFILE	2023	0,277



Çita Profili	Profil Kodu	(kg/mt)
BEAD PROFILE	454	0,228

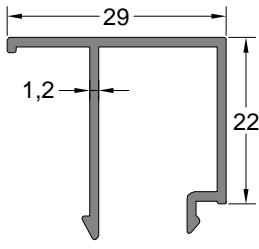


Çita Profili	Profil Kodu	(kg/mt)
BEAD PROFILE	2022	0,262

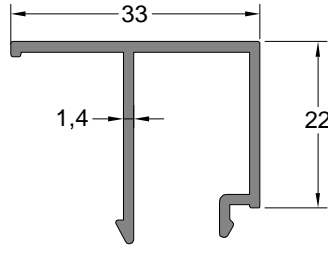


Çita Profili	Profil Kodu	(kg/mt)
BEAD PROFILE	2279	0,236

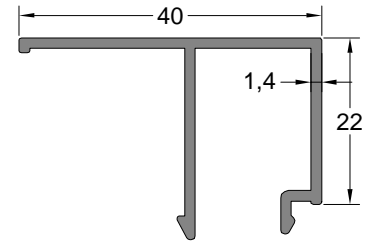
\*\* Her profil için minimum sipari 300 kg'dır.  
\*\* Minimum order quantity is 300 kg per profile.



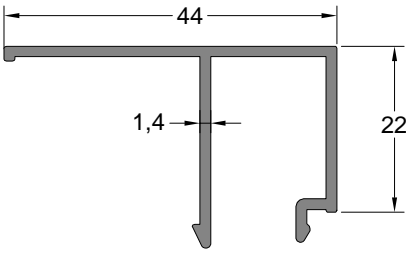
Çıta Profili	Profil Kodu	(kg/mt)
BEAD PROFILE	Profile Code	Weight
	509	0,277



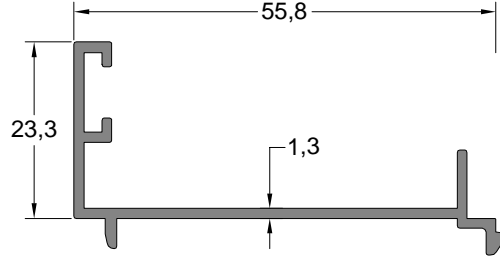
Çıta Profili	Profil Kodu	(kg/mt)
BEAD PROFILE	Profile Code	Weight
	2273	0,336



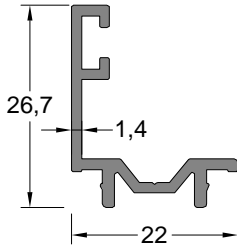
Çıta Profili	Profil Kodu	(kg/mt)
BEAD PROFILE	Profile Code	Weight
	5786	0,363



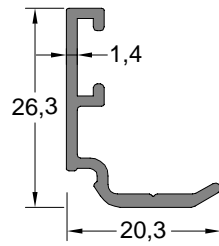
Çıta Profili	Profil Kodu	(kg/mt)
BEAD PROFILE	Profile Code	Weight
	2281	0,363



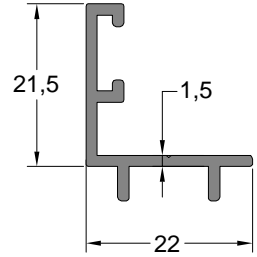
Adaptör Profili	Profil Kodu	(kg/mt)
ADAPTER PROFILE	Profile Code	Weight
	701	0,380



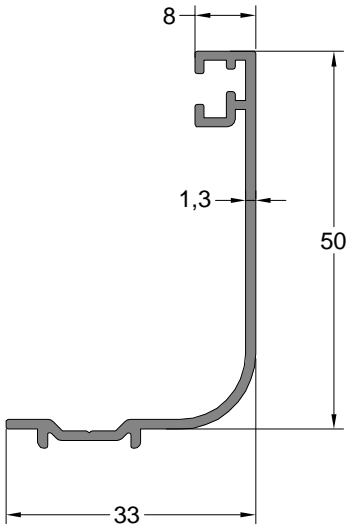
Adaptör Profili	Profil Kodu	(kg/mt)
ADAPTER PROFILE	Profile Code	Weight
	510	0,255



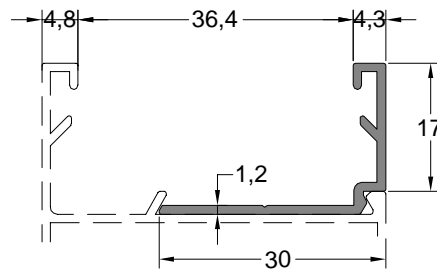
Adaptör Profili	Profil Kodu	(kg/mt)
ADAPTER PROFILE	Profile Code	Weight
	5601	0,216



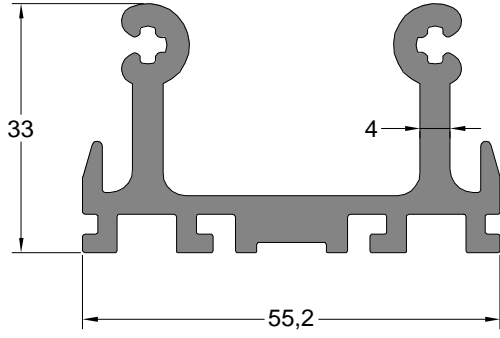
Ek Adaptör Profili	Profil Kodu	(kg/mt)
ADAPTER PROFILE	Profile Code	Weight
	2030	0,247



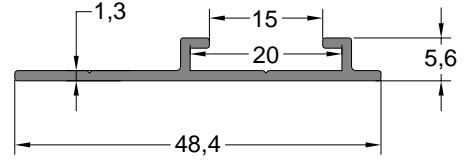
Ek Pervaz Profili	Profil Kodu	(kg/mt)
SILL PROFILE	Profile Code	Weight
	479	0,364



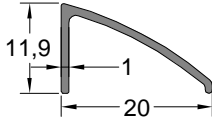
Kasa Adaptör Profili	Profil Kodu	(kg/mt)
FRAME ADAPTER PROFILE	Profile Code	Weight
	481	0,183



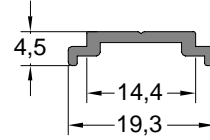
Dik Ba lantı Profili	Profil Kodu	(kg/mt)
CONNECTION PROFILE	Profile Code	Weight
	458	1,508



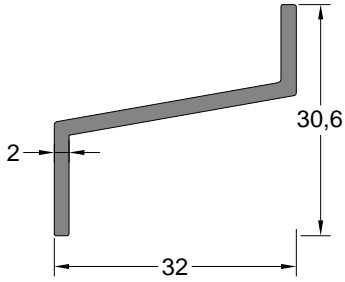
spanyolet Profili	Profil Kodu	(kg/mt)
ESPAGNOLETTE PROFILE	Profile Code	Weight
	480	0,218



Damlalık Profili	Profil Kodu	(kg/mt)
SILL PROFILE	Profile Code	Weight
	4242	0,094

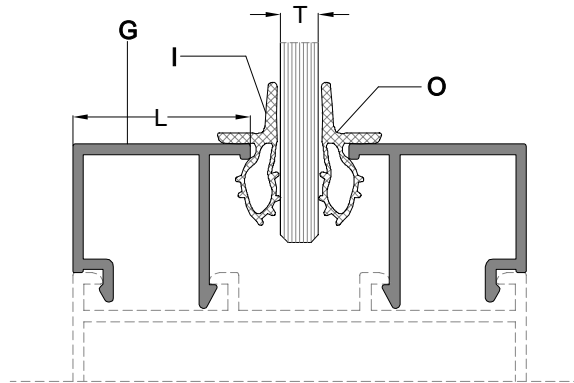


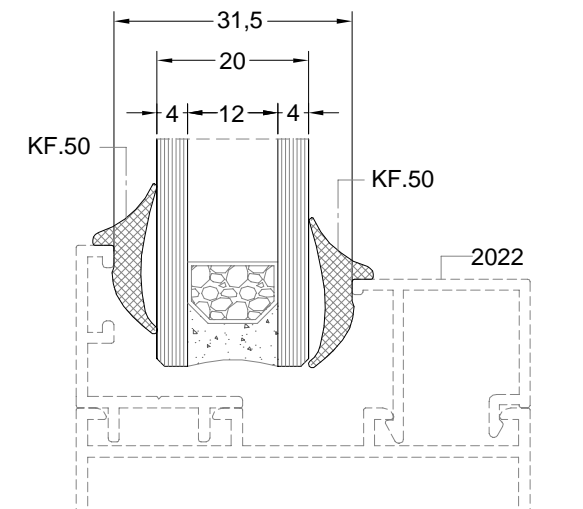
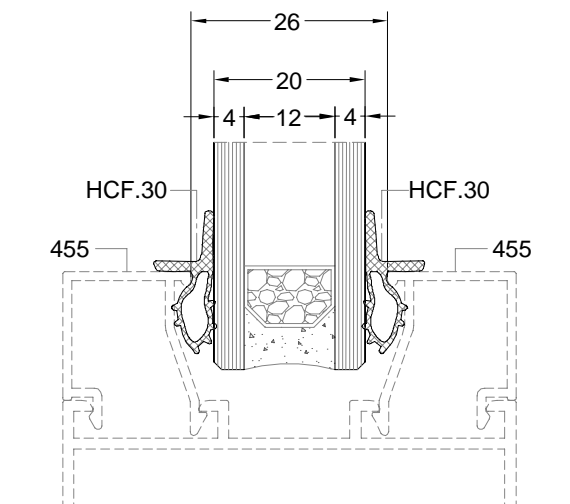
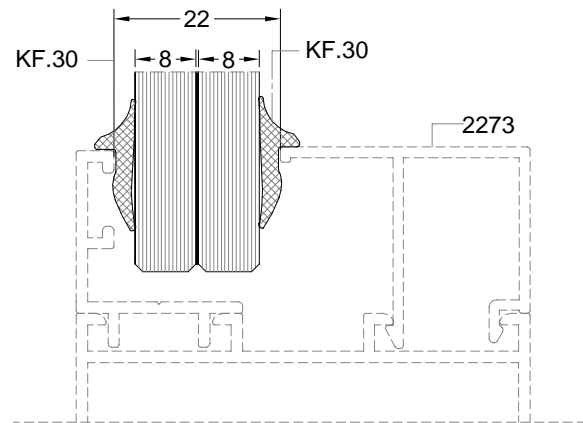
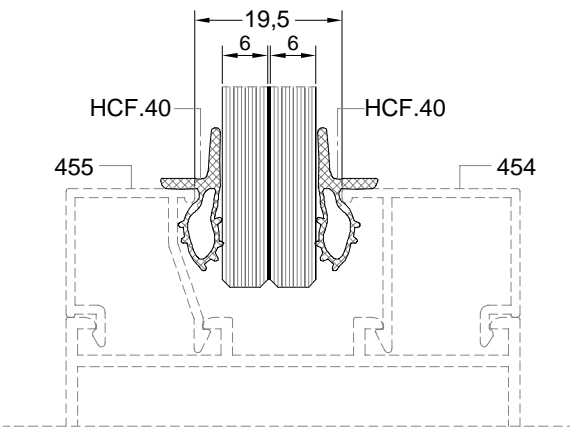
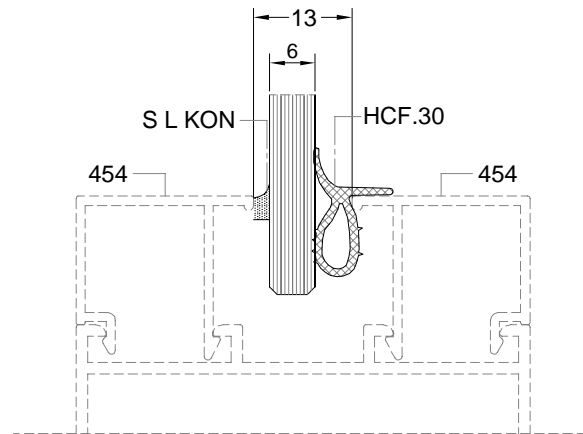
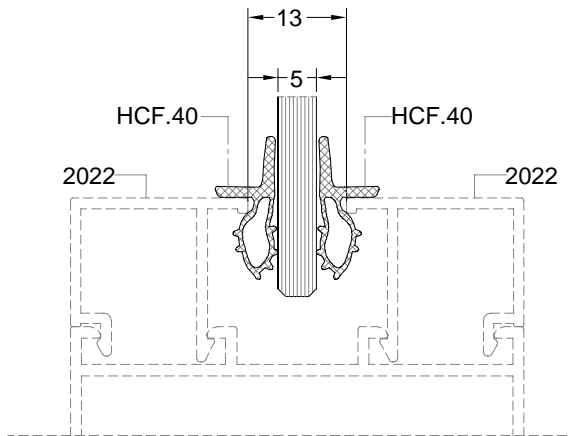
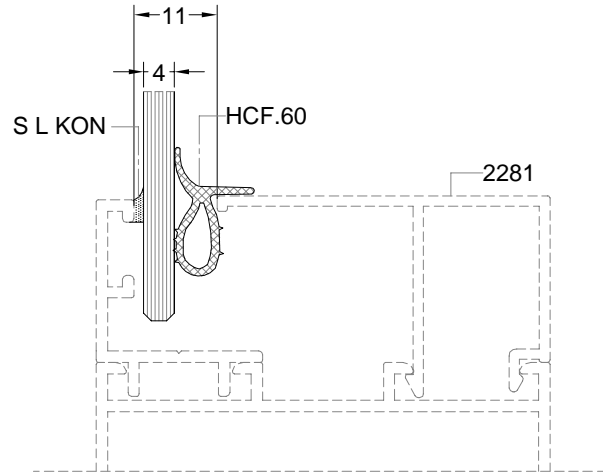
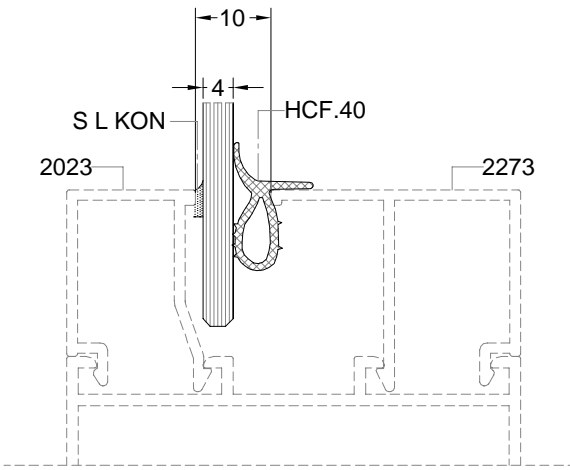
Tij Profili	Profil Kodu	(kg/mt)
STEM BAR PROFILE	Profile Code	Weight
	8241	0,099



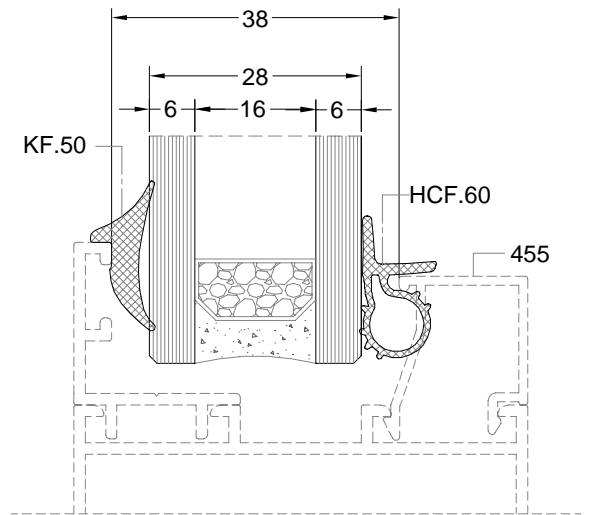
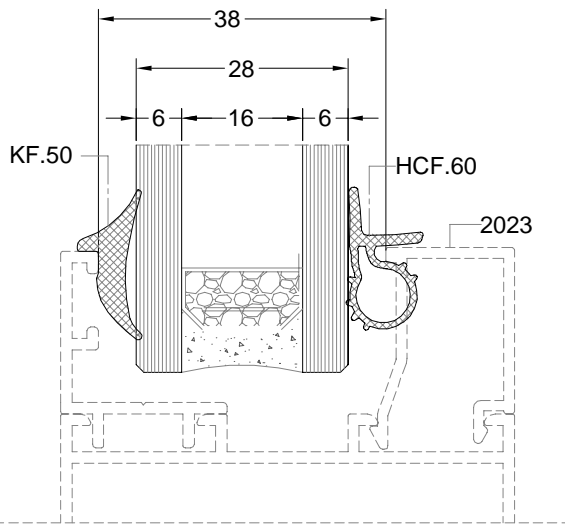
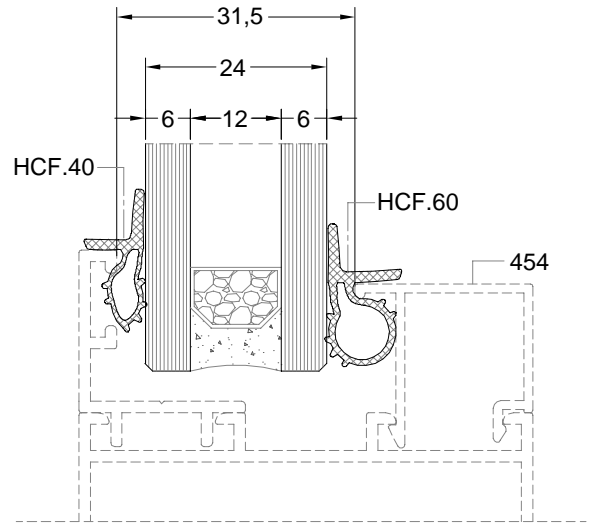
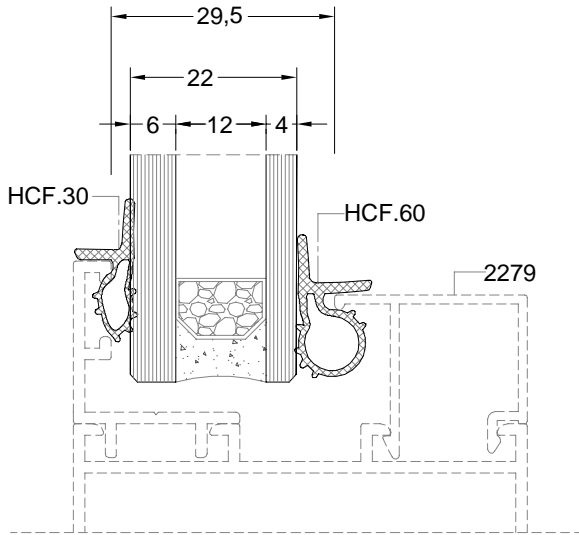
Menfez Profili	Profil Kodu	(kg/mt)
VENT PROFILE	Profile Code	Weight
	3840	0,299

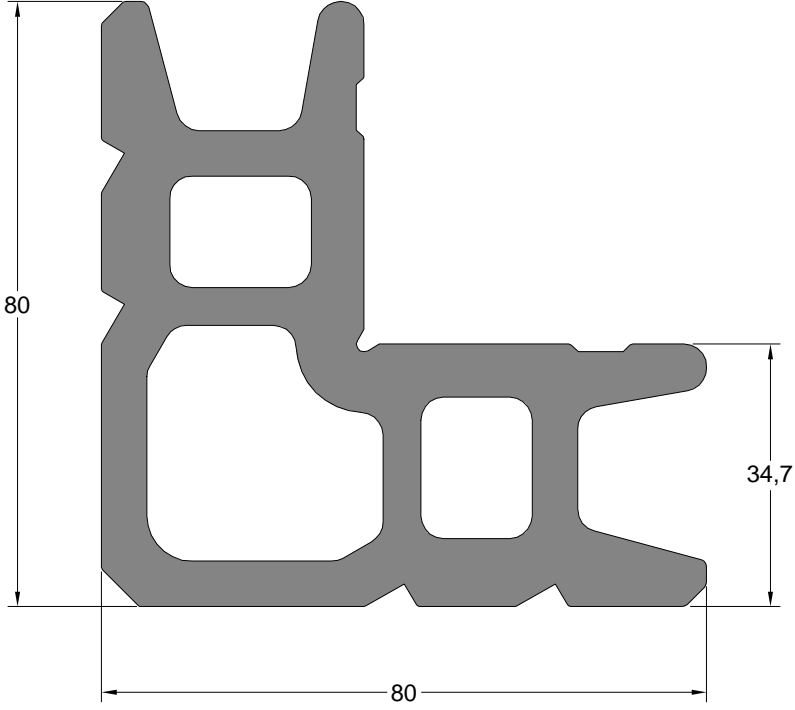
CAM ÇİTASI GLAZING BEAD (G)	CAM ÇİTASI UZUNLU U GLAZING BEAD LENGTH (L)	Ç CAM F T L GLAZING GASKET (INSIDE) (I)	CAM KALINLI I GLASS THICKNESS (T)	DI CAM F T L GLAZING GASKET (OUTSIDE) (O)
2273	33 mm	HCF.40	4 mm	S L KON
2281	44 mm	HCF.60	4 mm	S L KON
2022	23,5 mm	HCF.40	5 mm	HCF.40
454	23,5 mm	HCF.30	6 mm	S L KON
454	23,5 mm	HCF.40	12 mm	HCF.40
2273	33 mm	KF.30	16 mm	KF.30
455	17 mm	HCF.30	20 mm	HCF.30
2022	23,5 mm	KF.50	20 mm	KF.50
2279	25,5 mm	HCF.60	22 mm	HCF.30
454	23,5 mm	HCF.60	24 mm	KF.40
2023	17 mm	HCF.60	28 mm	KF.50
455	17 mm	HCF.60	28 mm	KF.50





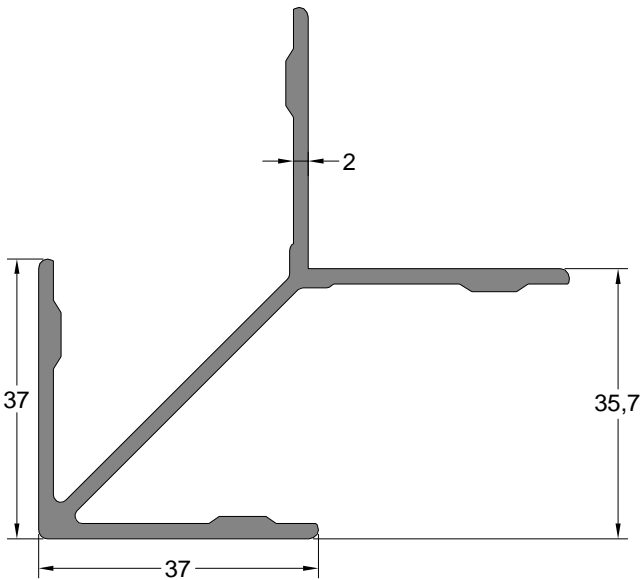






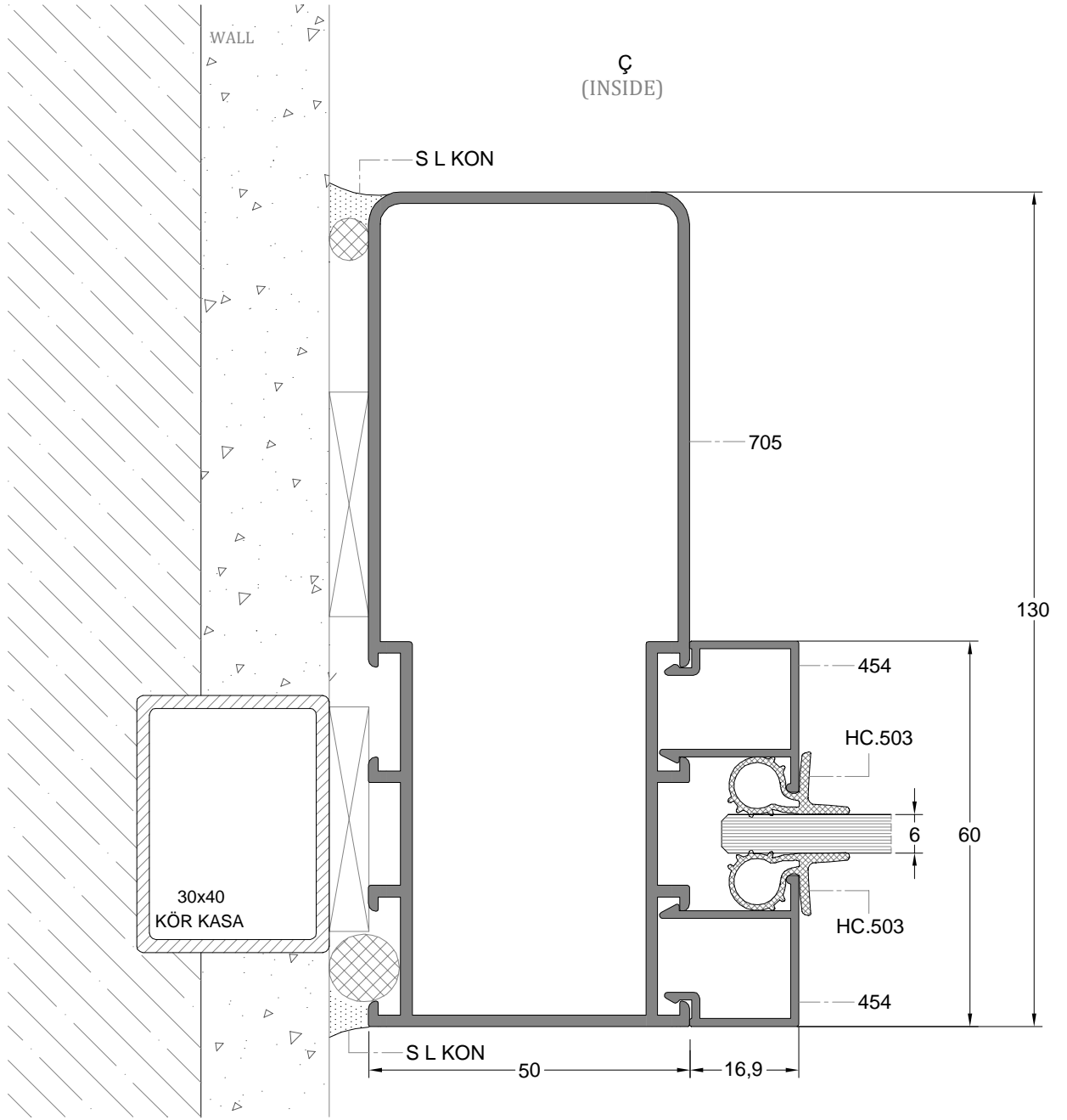
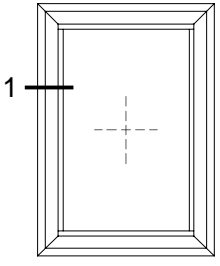
Kö e Takozu Profil Kodu Corner Wedge Profile Code	Kullanıldı ı Profil Compatible Profile	Kesim Boyu (mm) Cutting Length (mm)
410	2021	55,5 mm
	521	55,5 mm
	2020	55,5 mm

Kö e Ba lantı Takoz Profili CORNER WEDGE PROFILE	Profil Kodu Profile Code	(kg/mt) Weight
	410	6,094



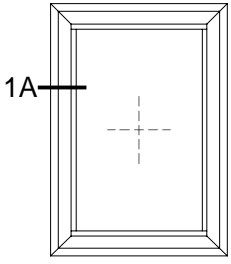
Kö e Takozu Profil Kodu Corner Wedge Profile Code	Kullanıldı ı Profil Compatible Profile	Kesim Boyu (mm) Cutting Length (mm)
508	452	56,5 mm
	522	56,5 mm
	569	57 mm
	451	56,5 mm
	6080	57 mm

Kö e Çavu Ba lantı Profili CORNER JOINT PROFILE	Profil Kodu Profile Code	(kg/mt) Weight
	508	1,112

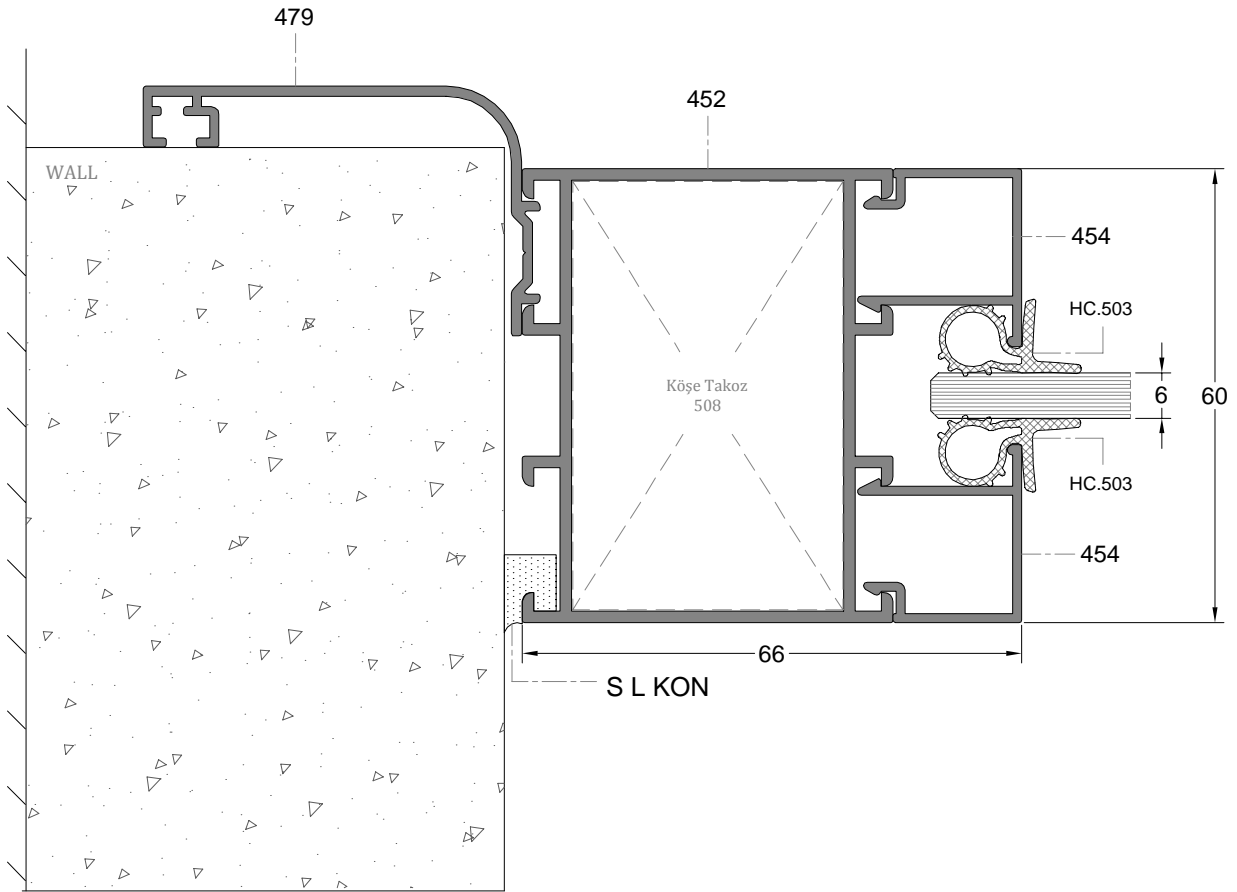


D-1

DI  
(OUTSIDE)

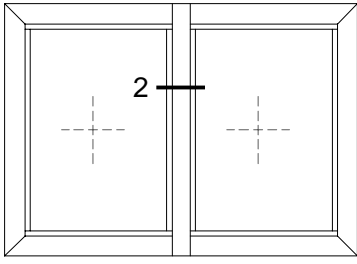


Ç  
(INSIDE)

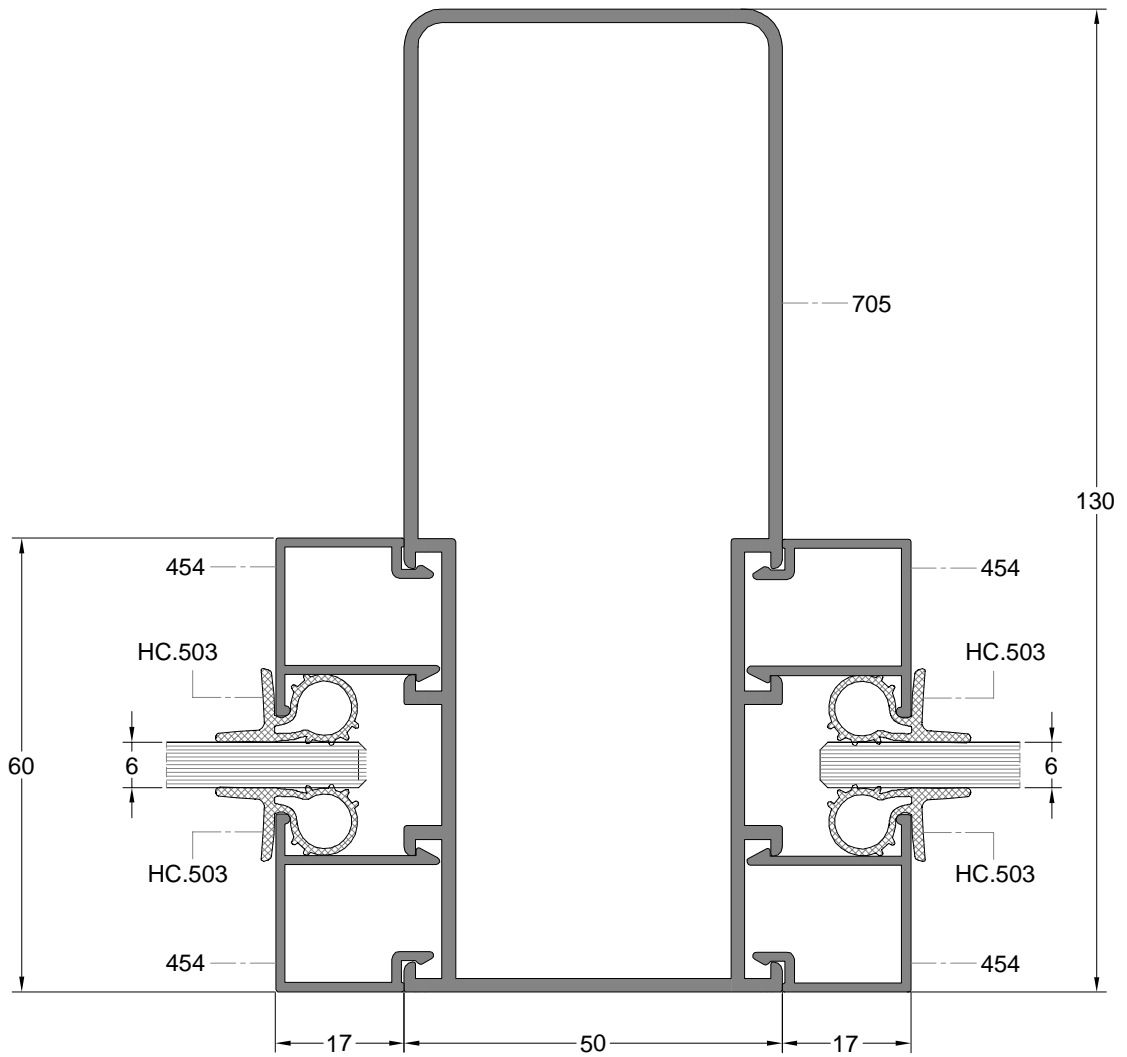


DI  
(OUTSIDE)

D-1A

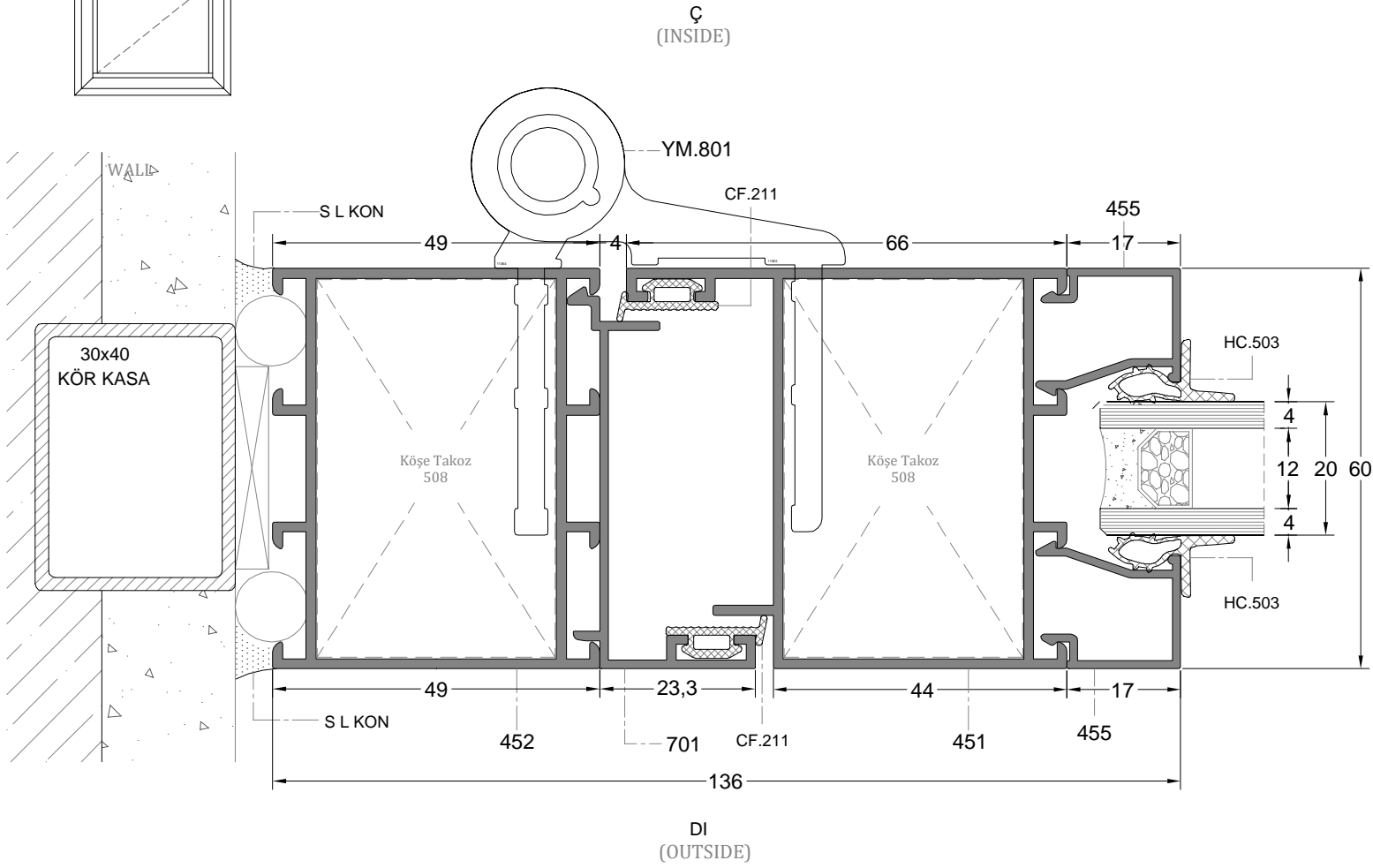
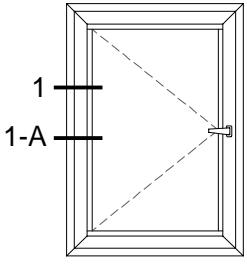


Ç  
(INSIDE)

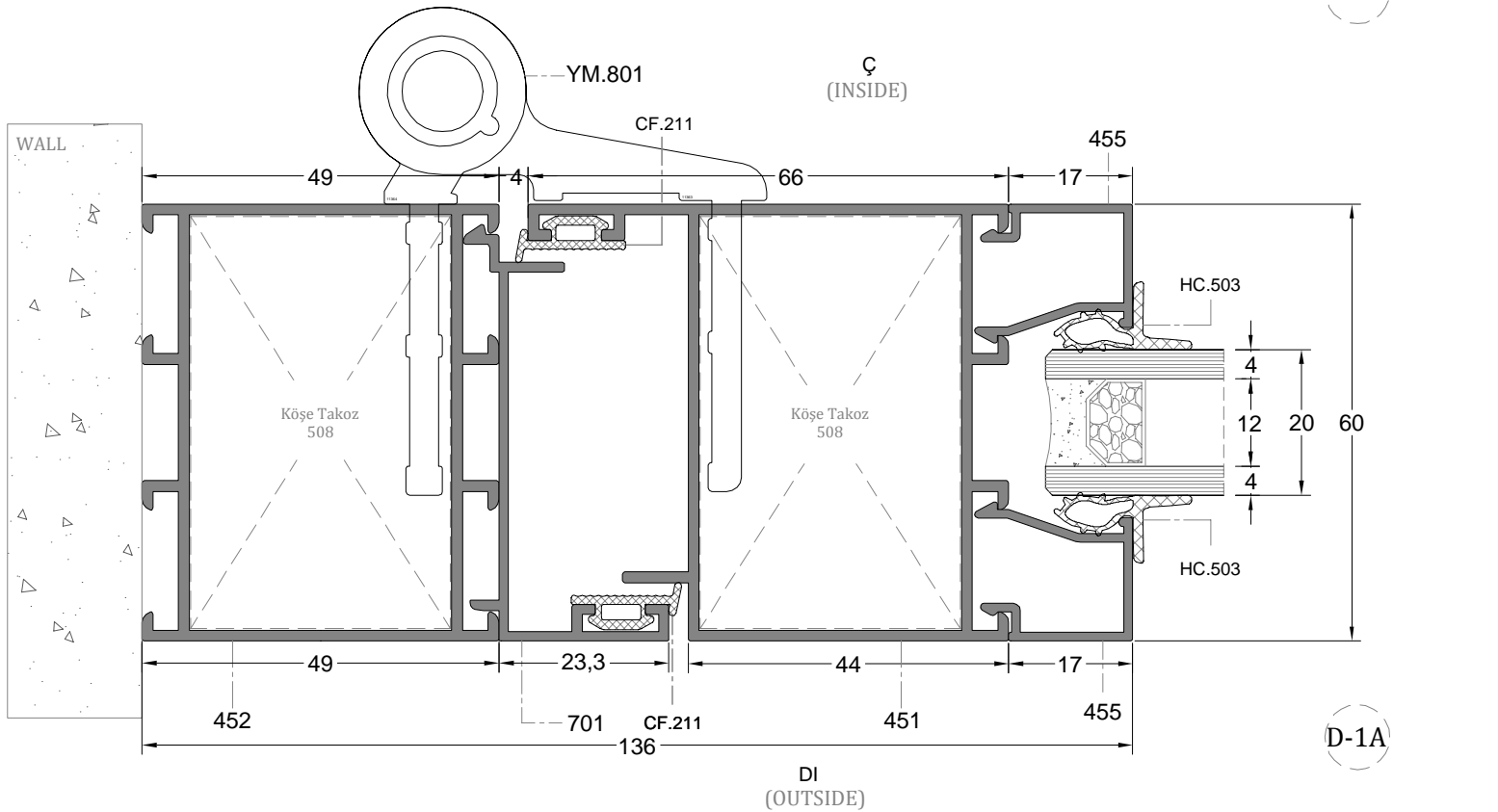


D-2

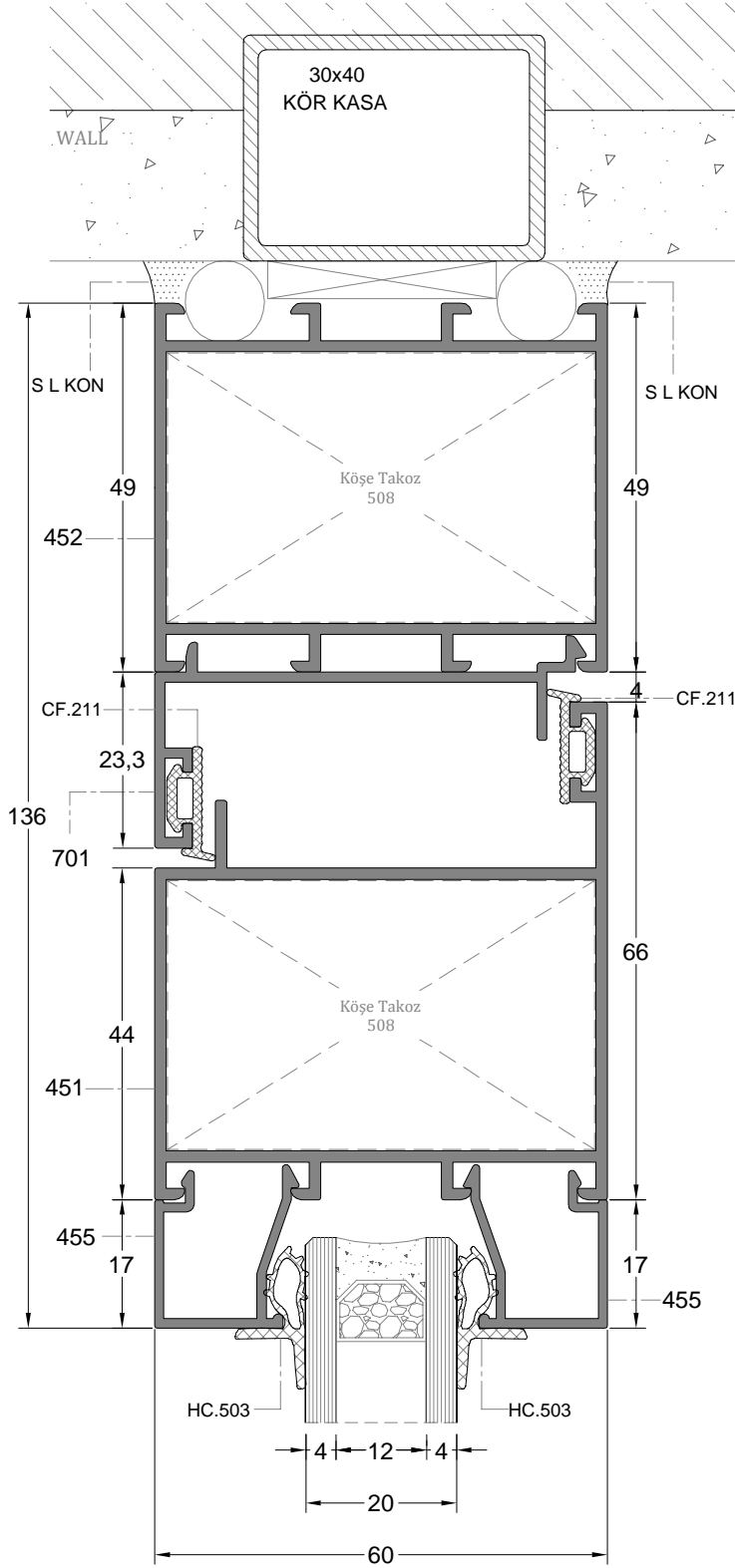
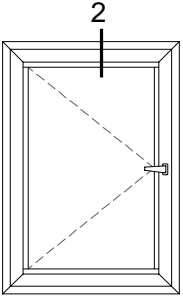
DI  
(OUTSIDE)



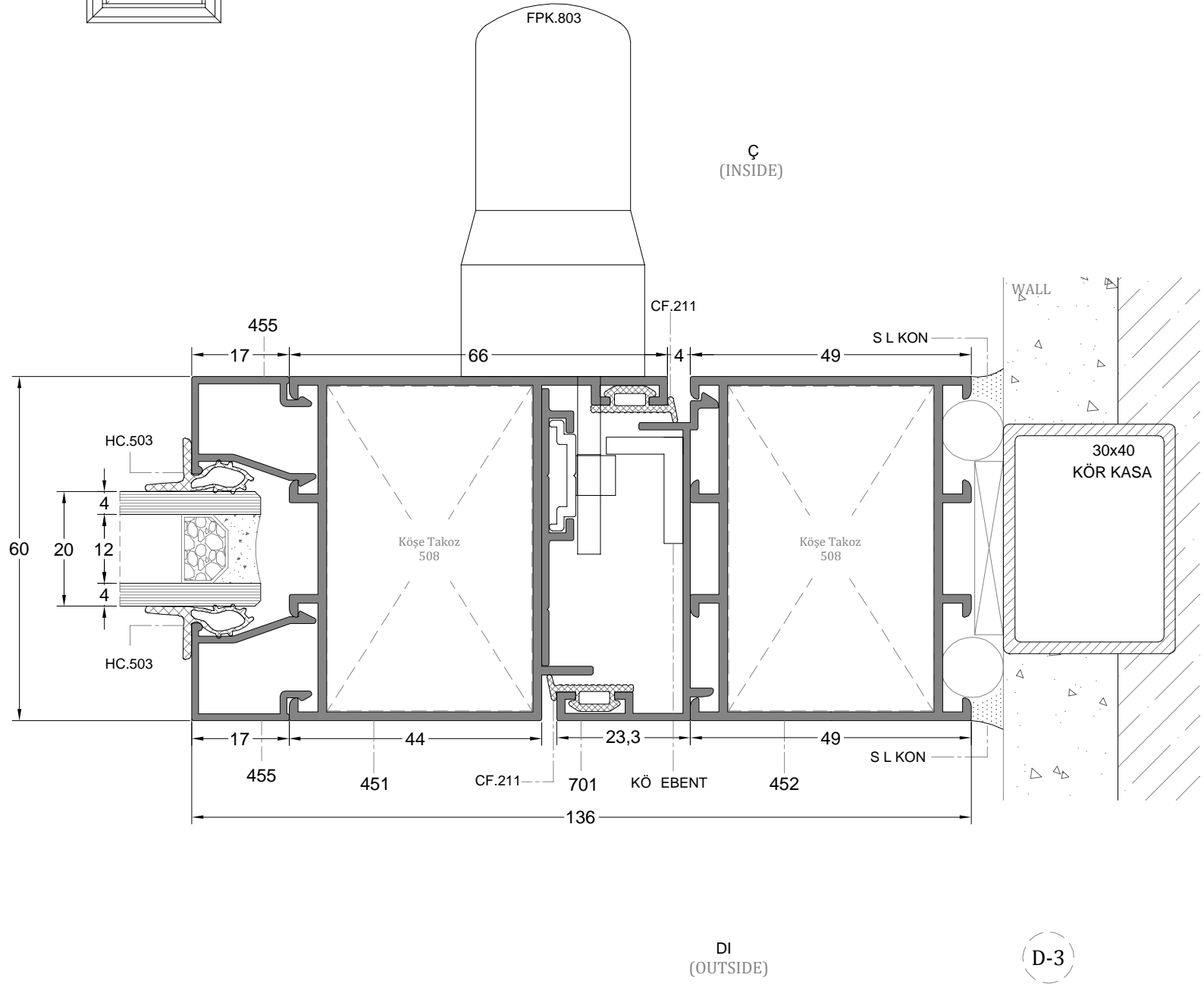
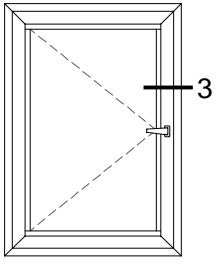
(D-1)



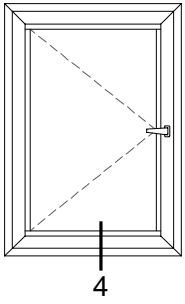
(D-1A)



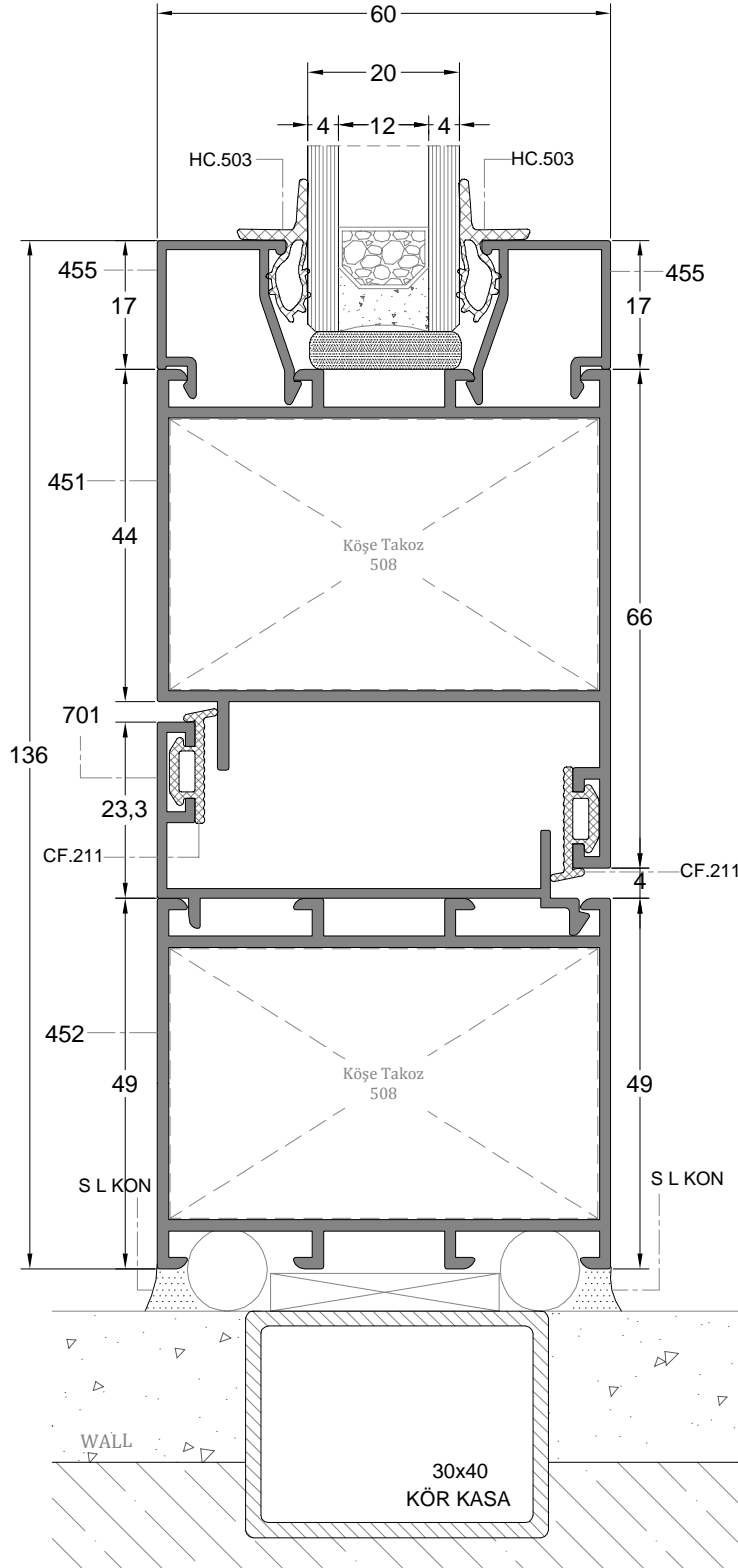
D-2





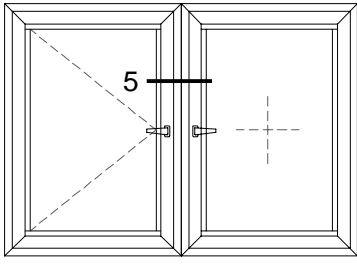


DI  
(OUTSIDE)

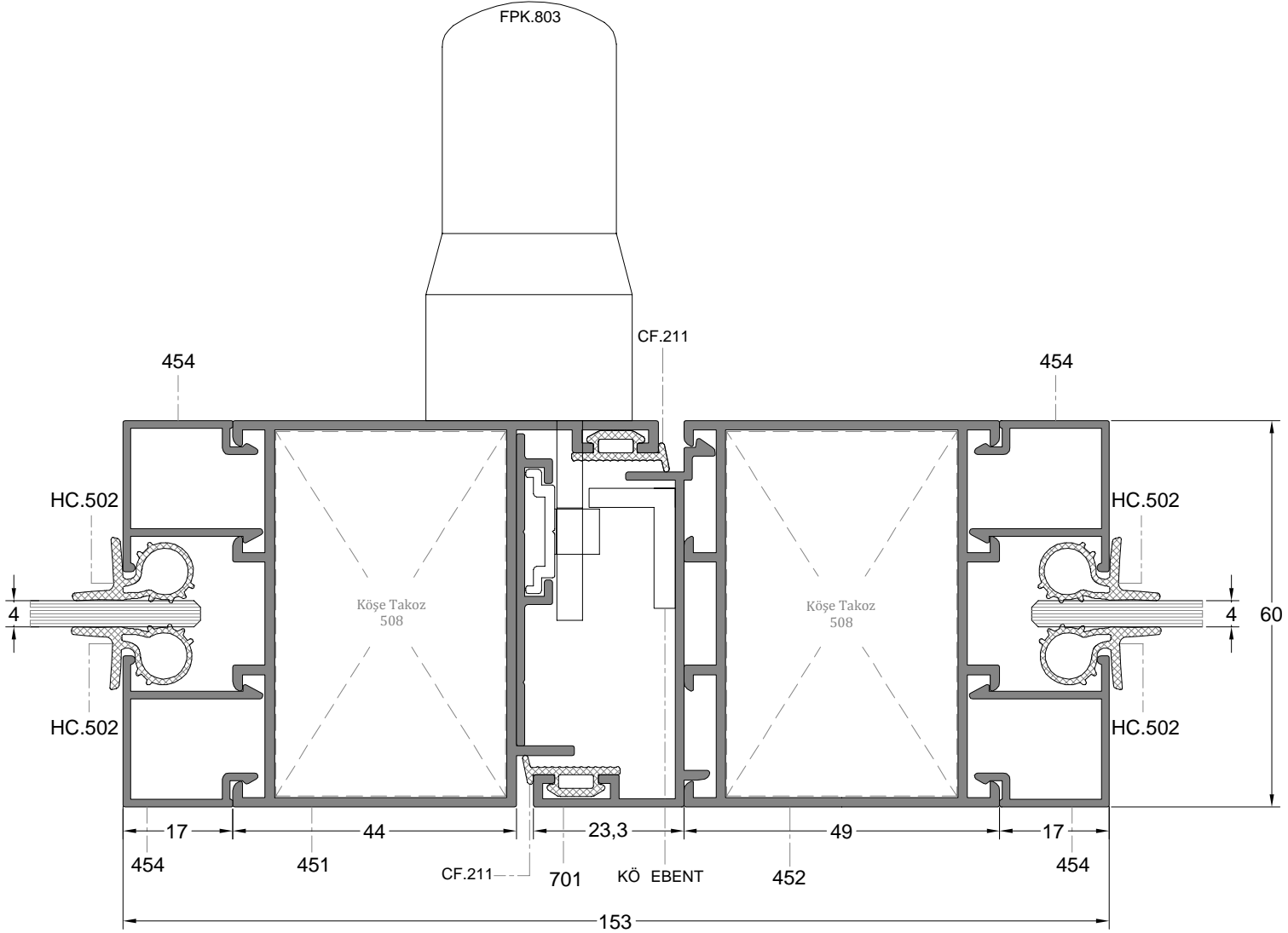


Ç  
(INSIDE)

D-4

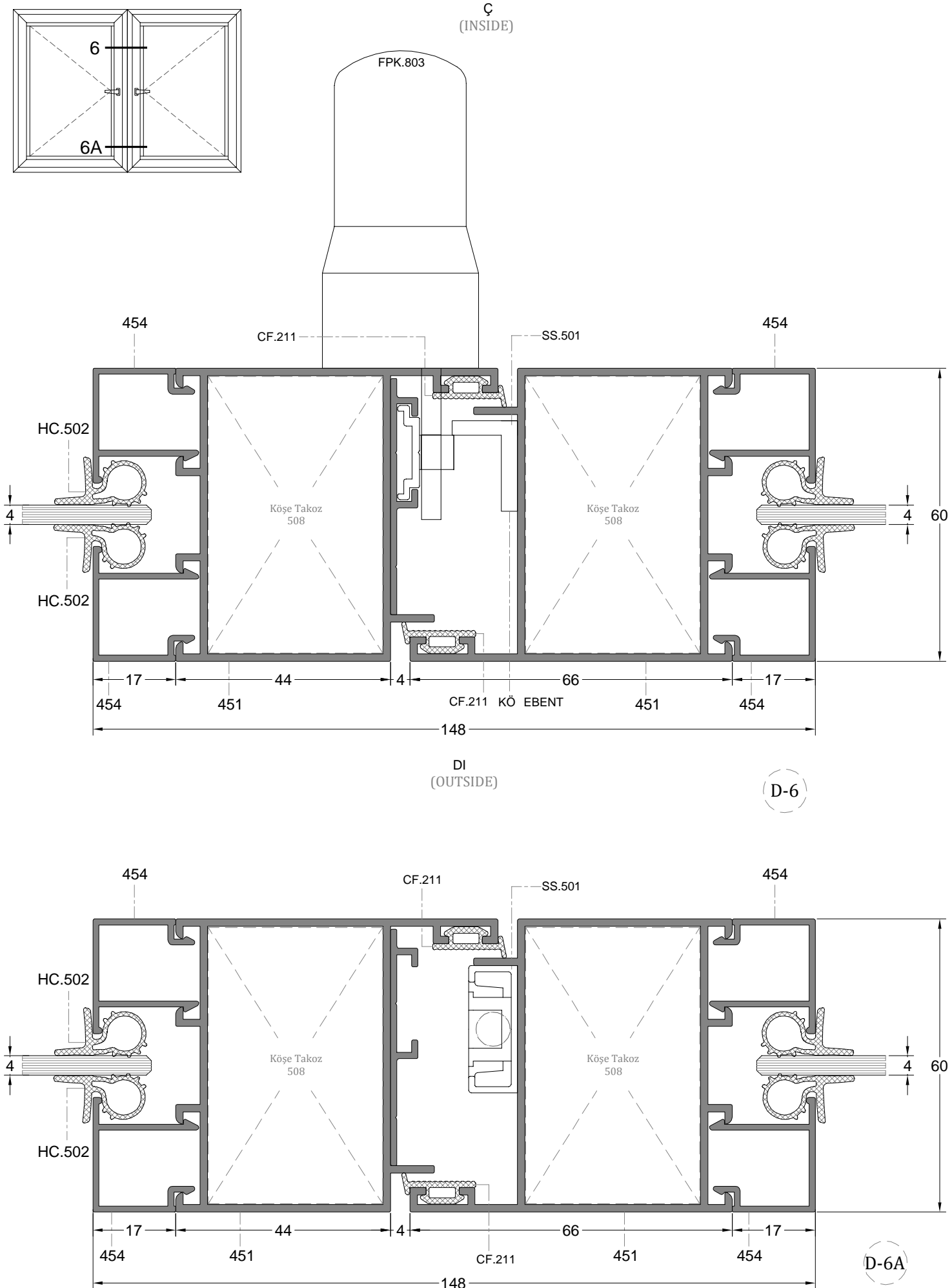


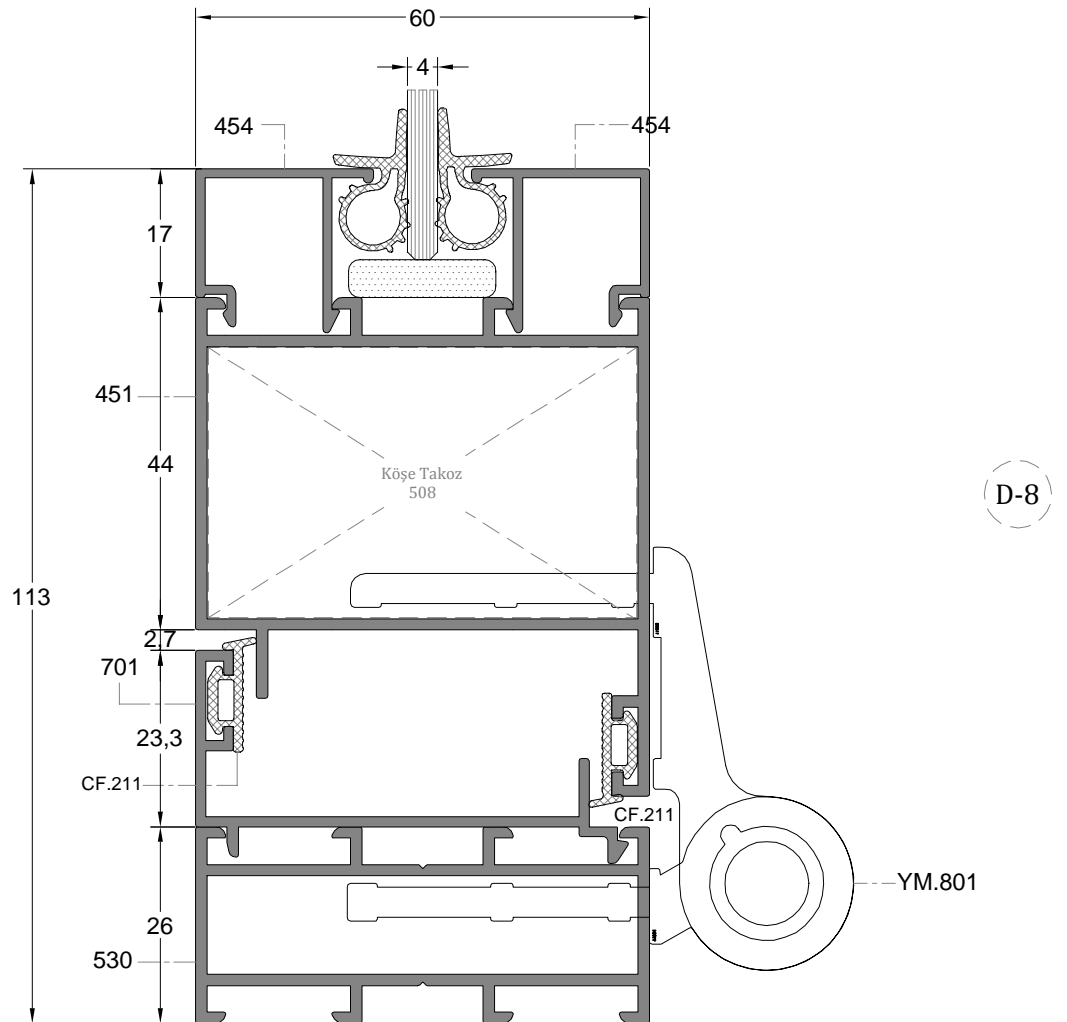
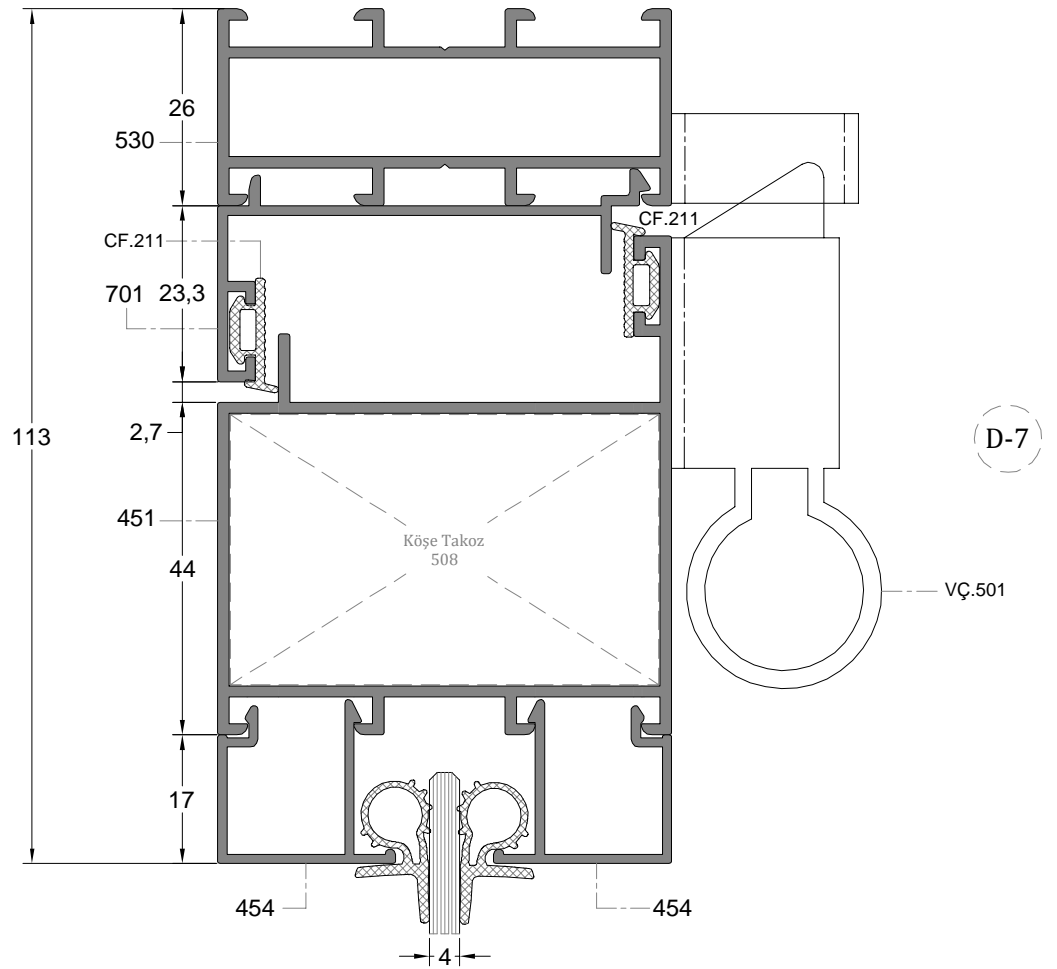
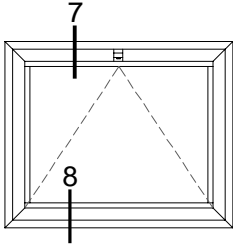
Ç  
(INSIDE)

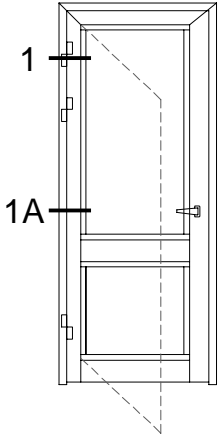


D-5

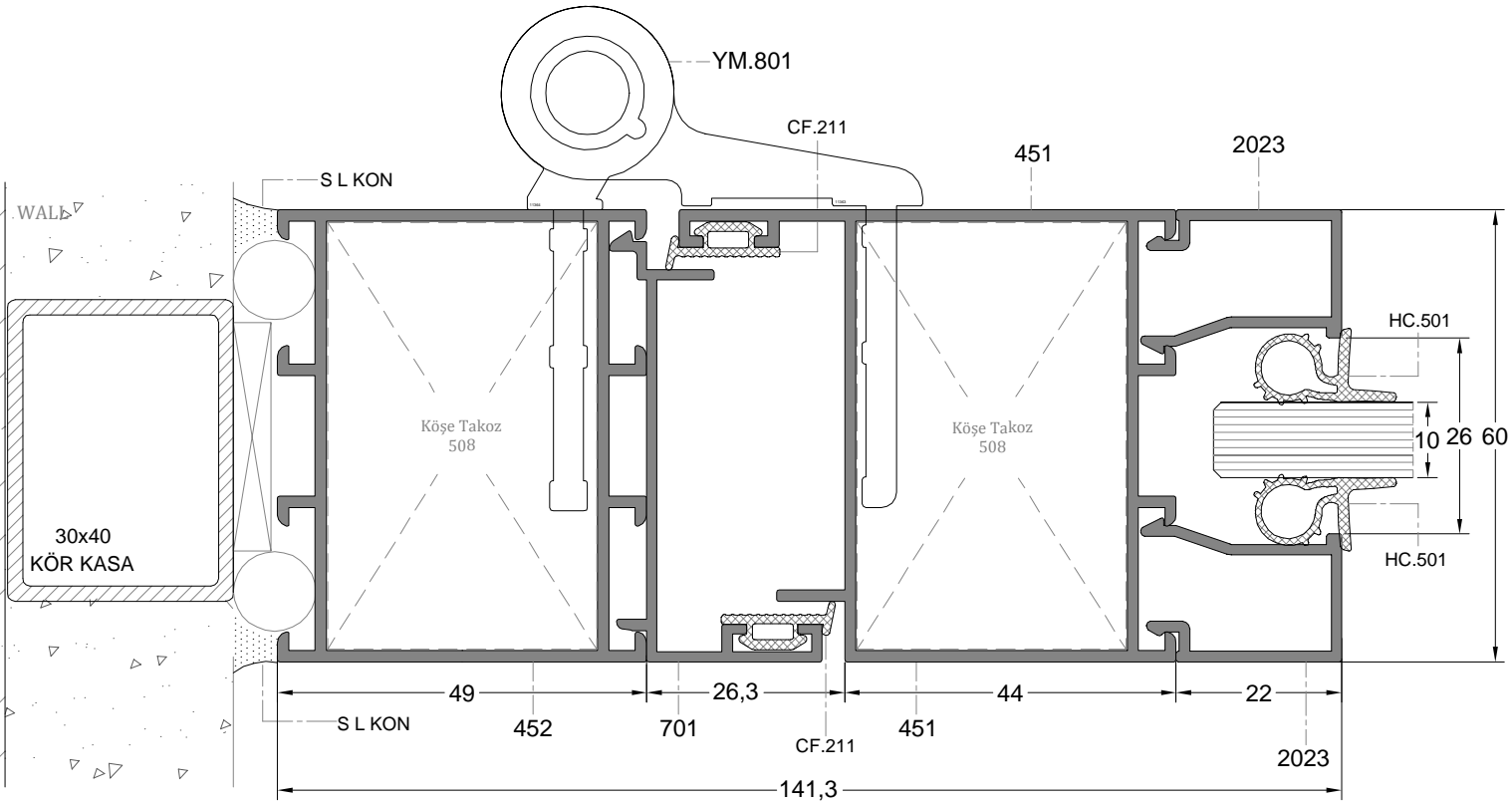
DI  
(OUTSIDE)





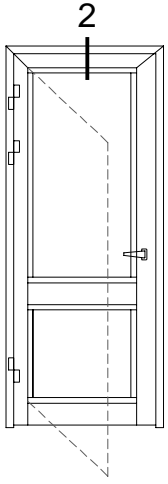


Ç  
(INSIDE)



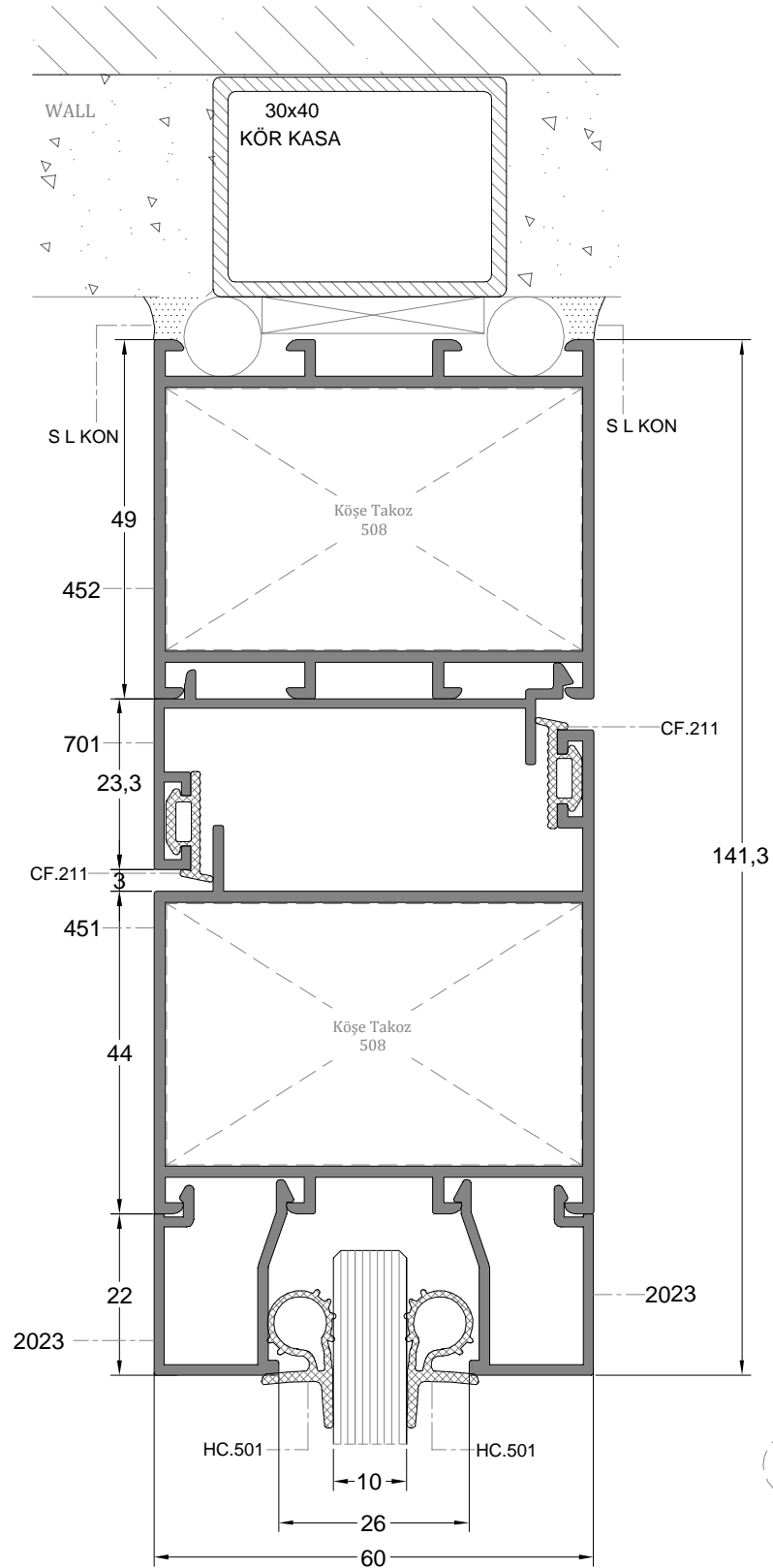
D1  
(OUTSIDE)

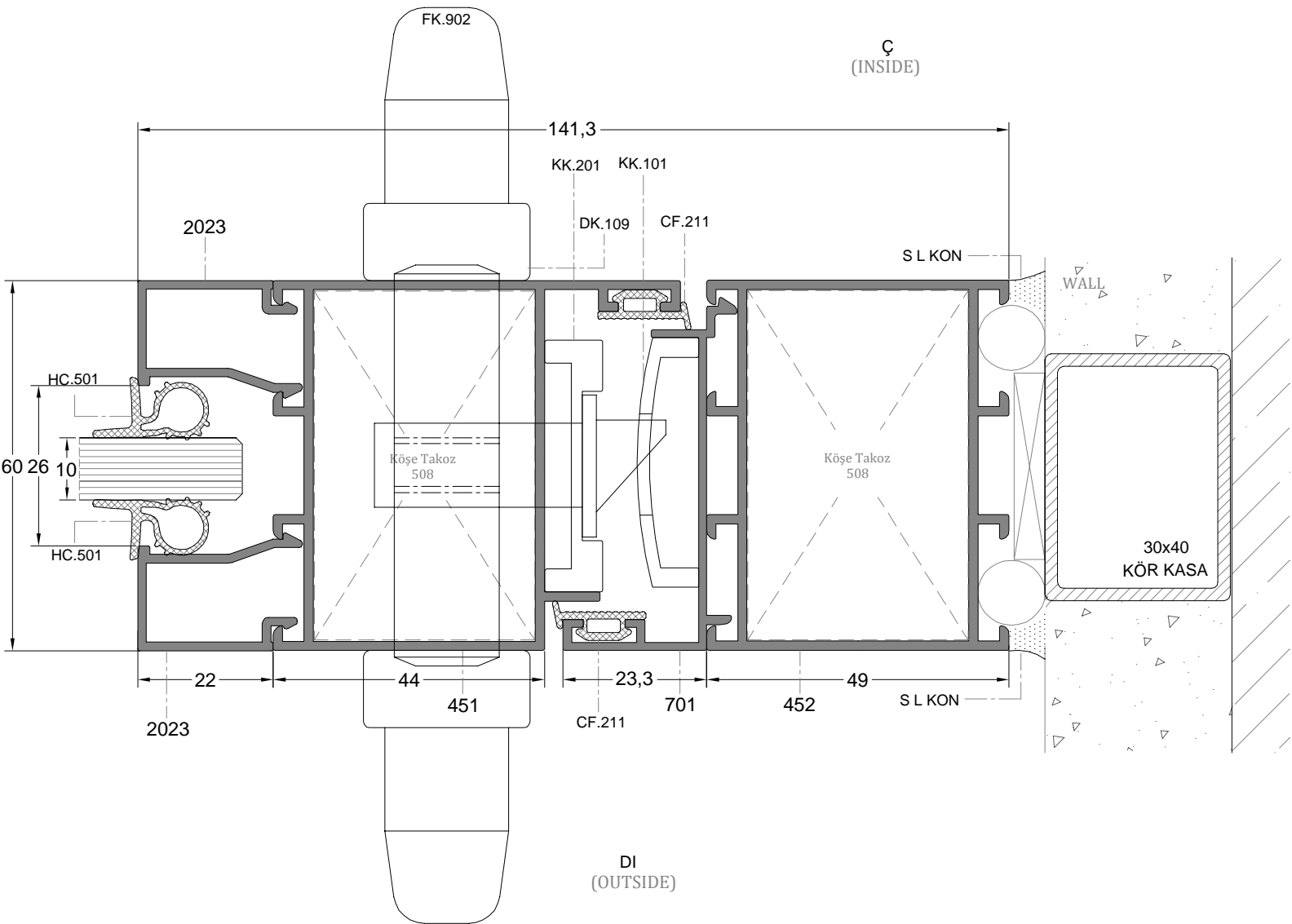
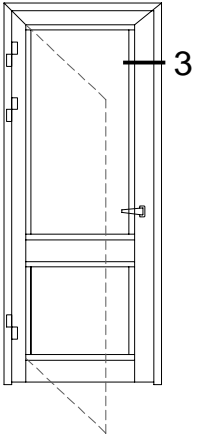
D-1

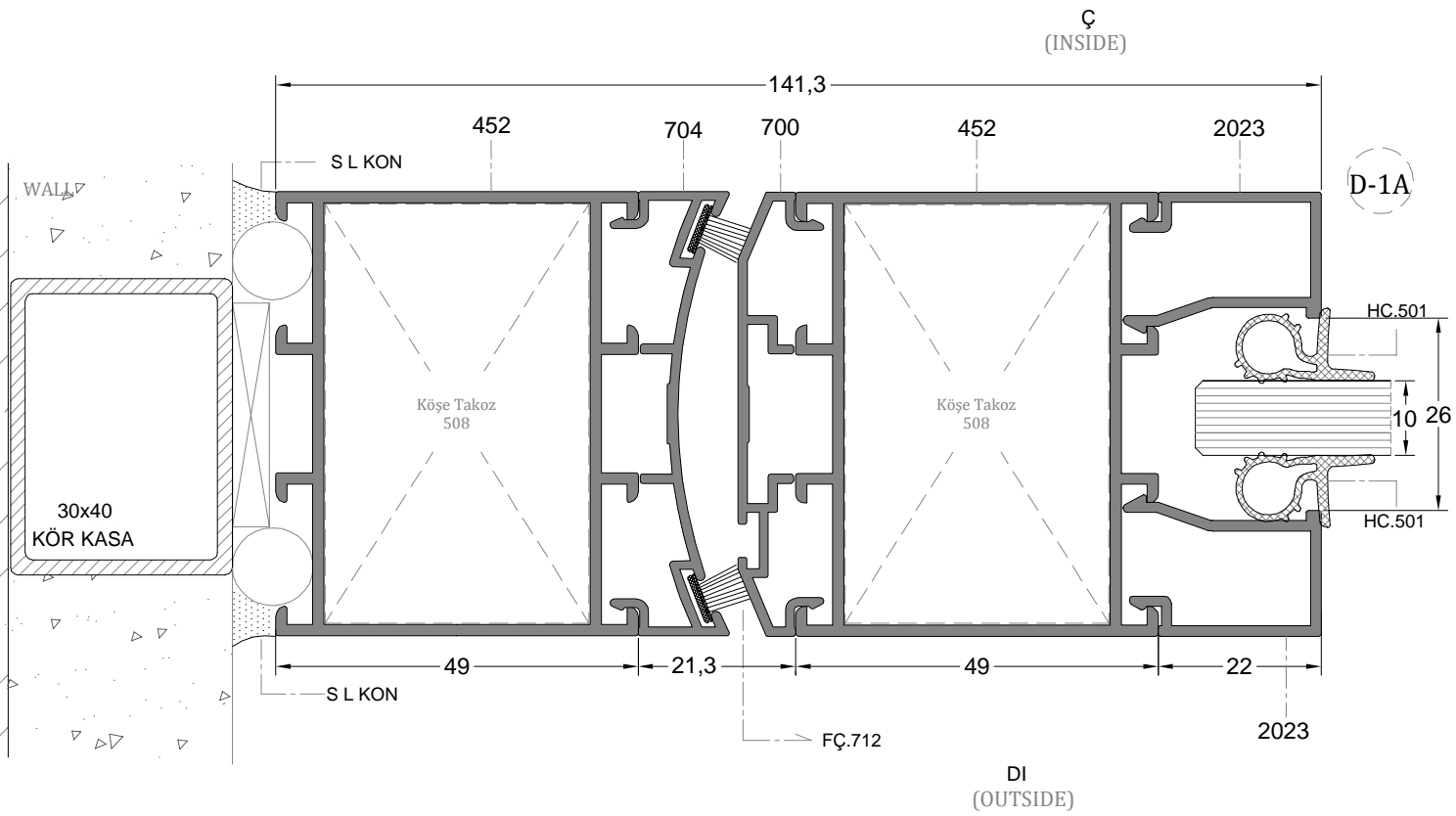
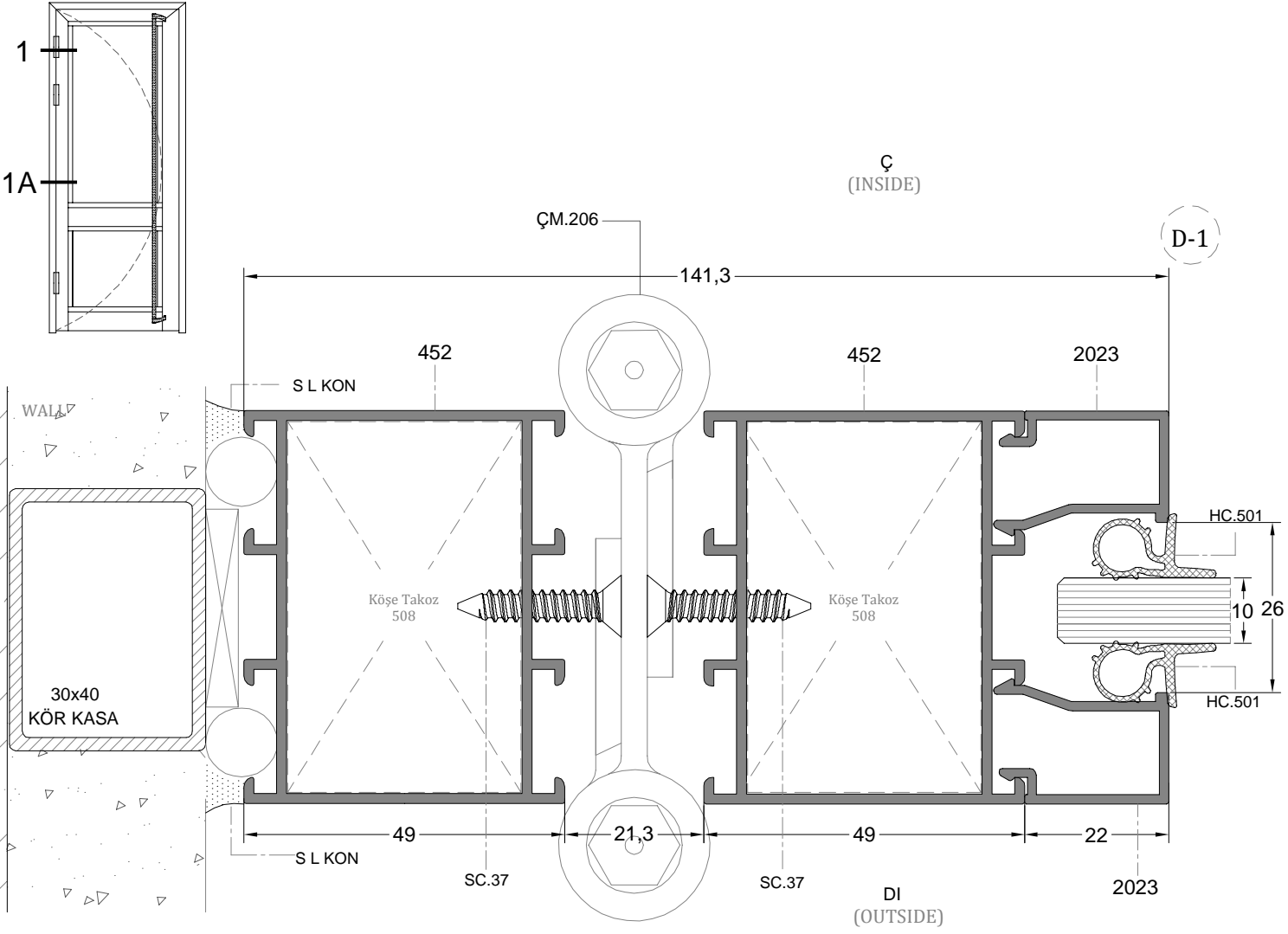


DI  
(OUTSIDE)

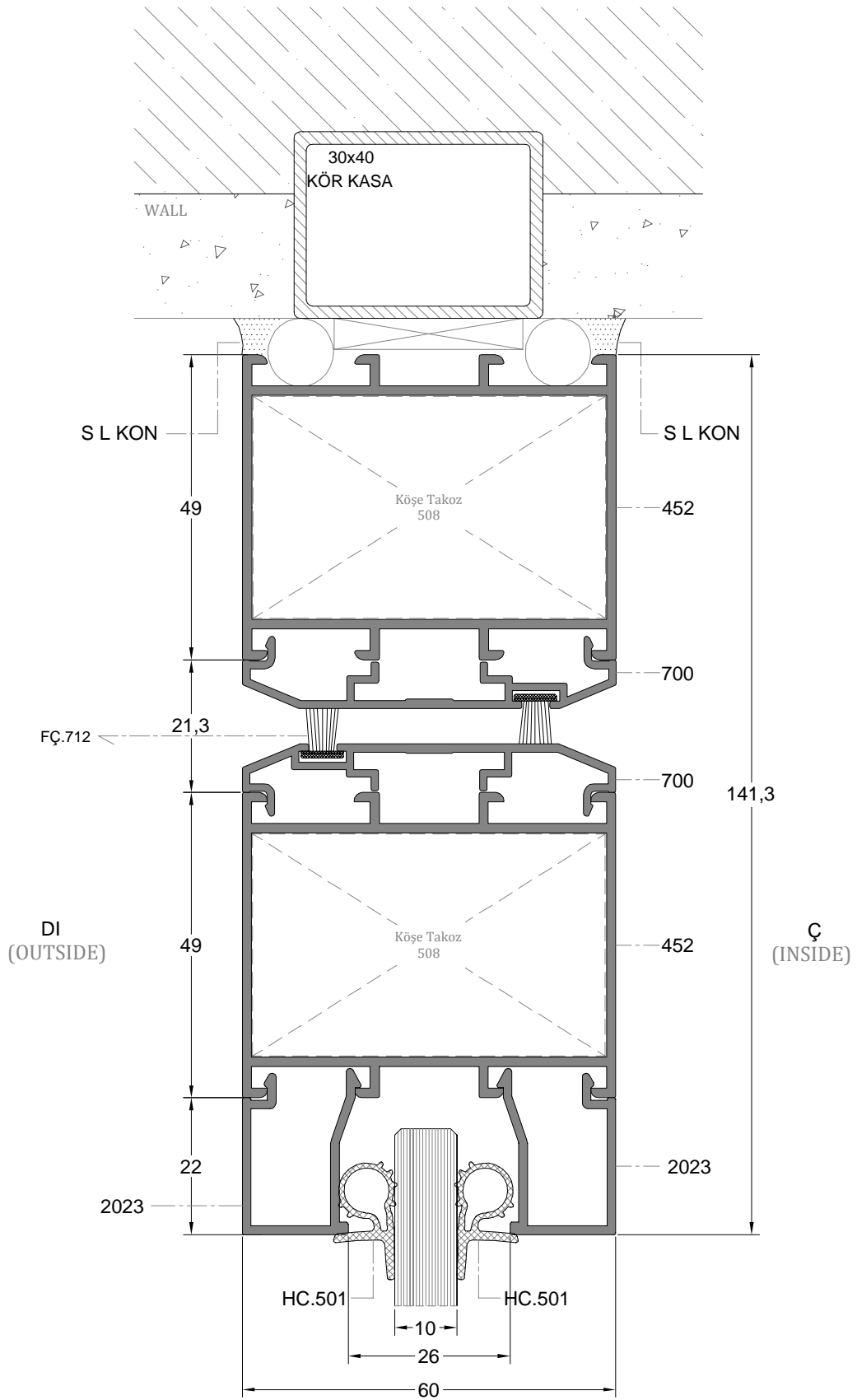
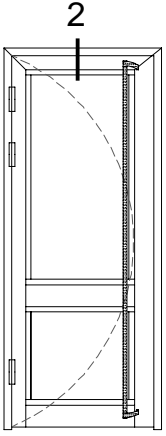
Ç  
(INSIDE)

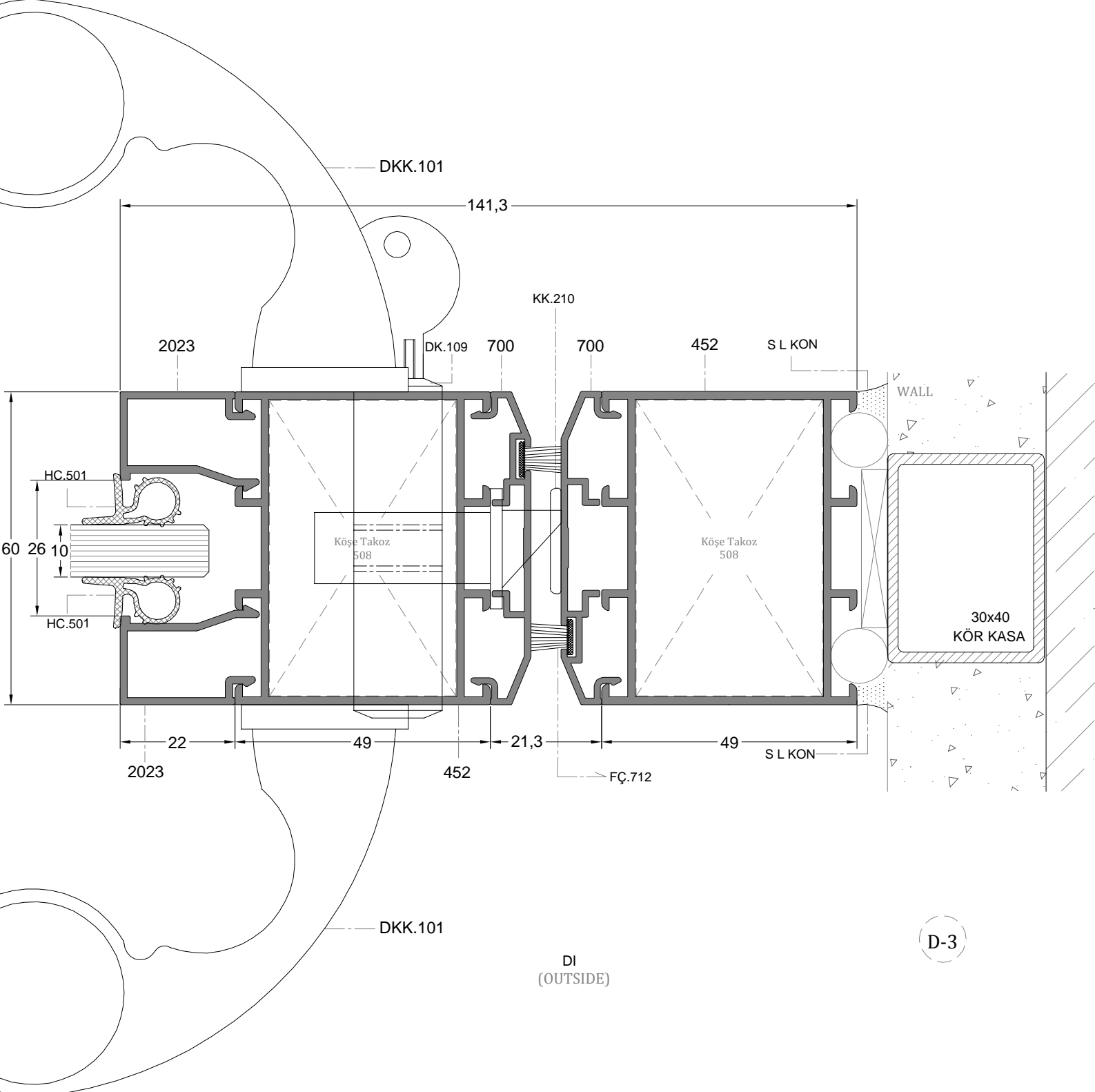
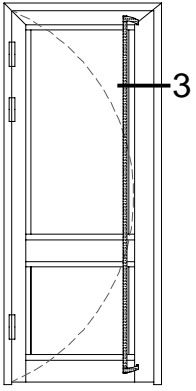


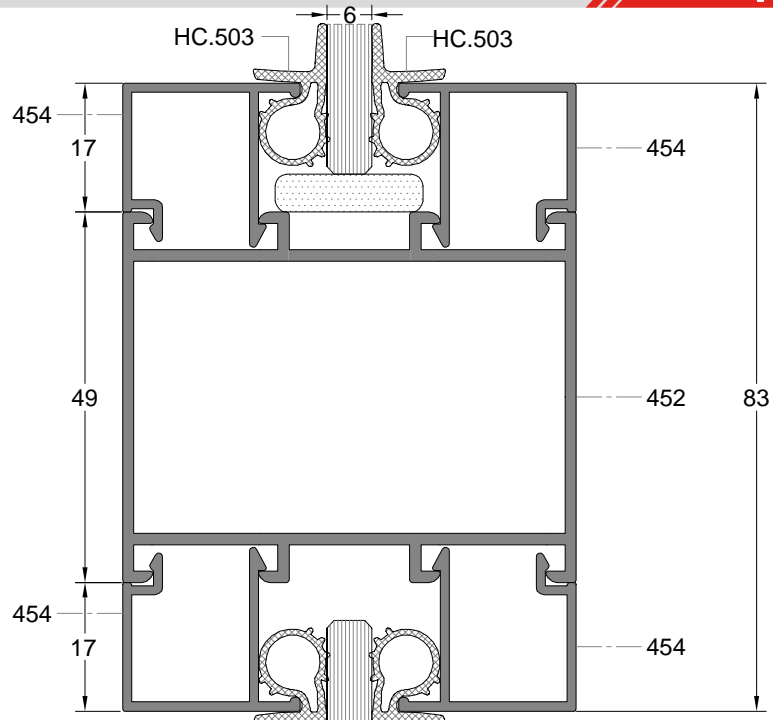
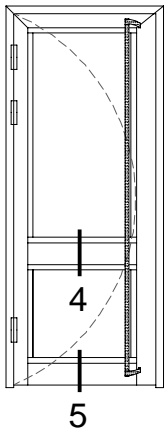




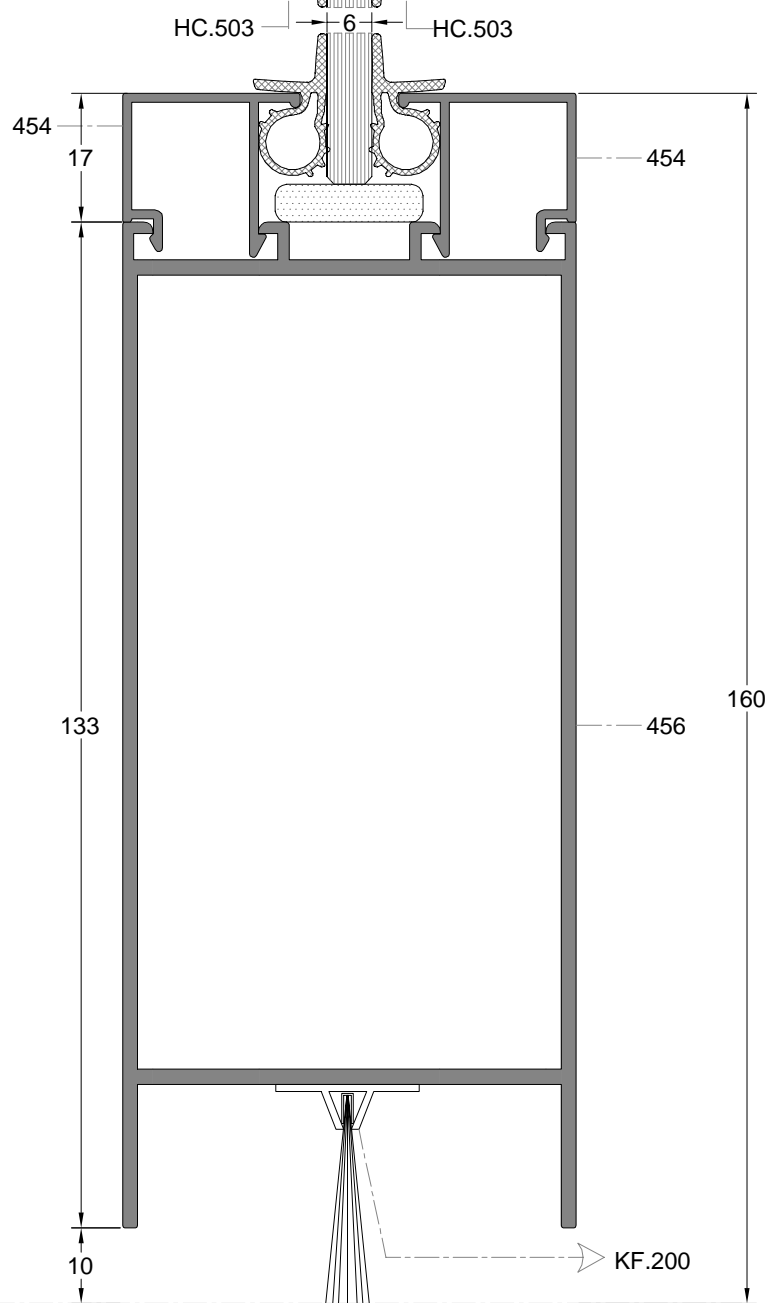




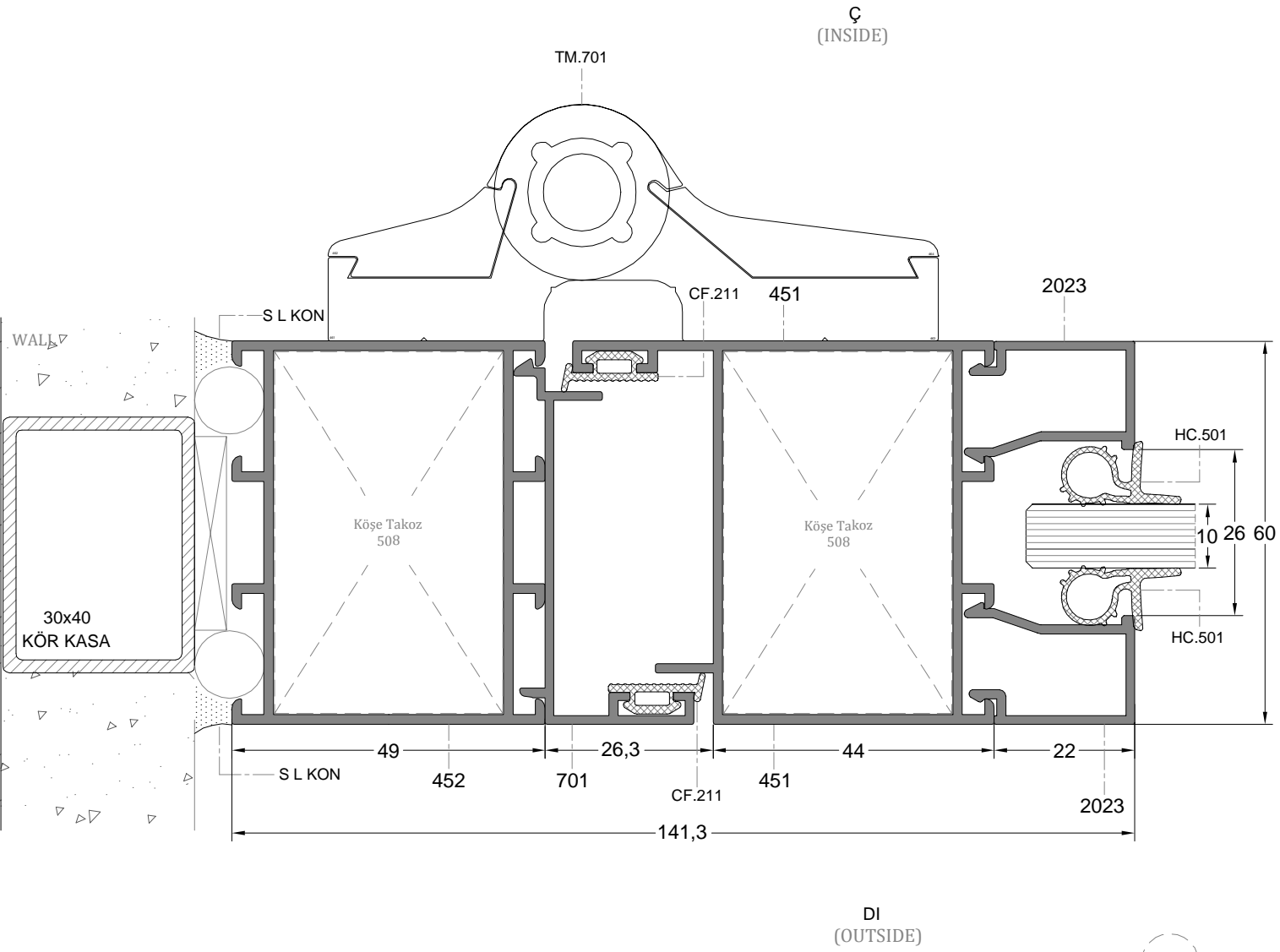
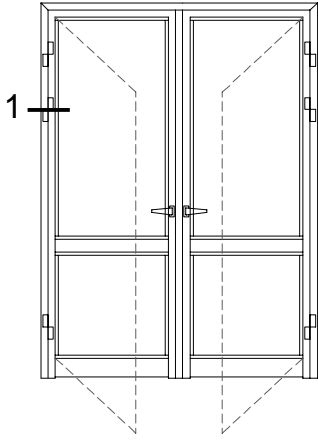


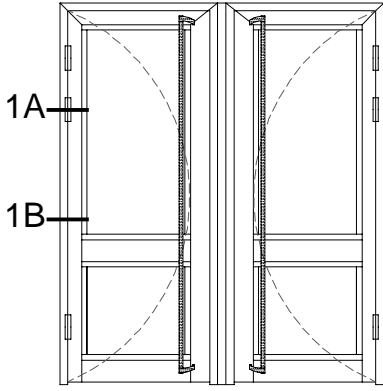


D-4



D-5

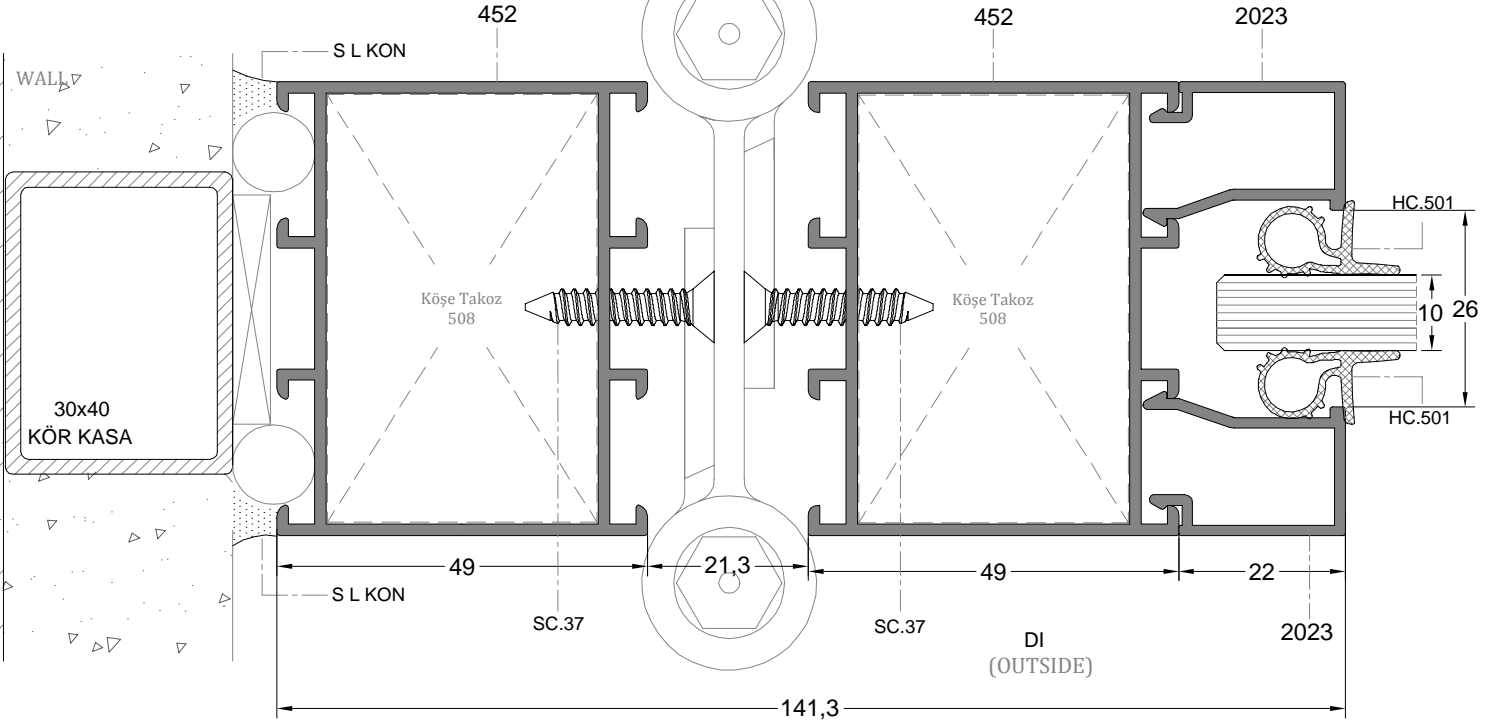




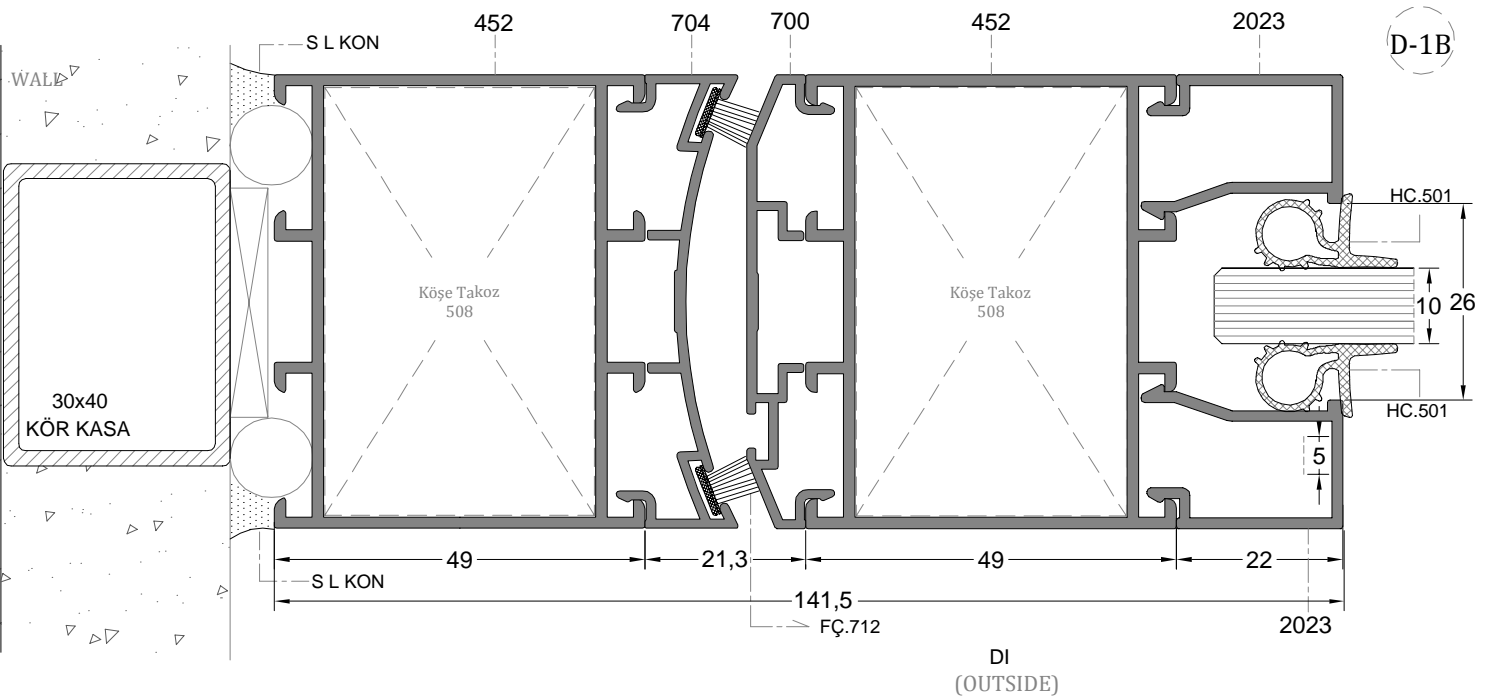
ÇM.206

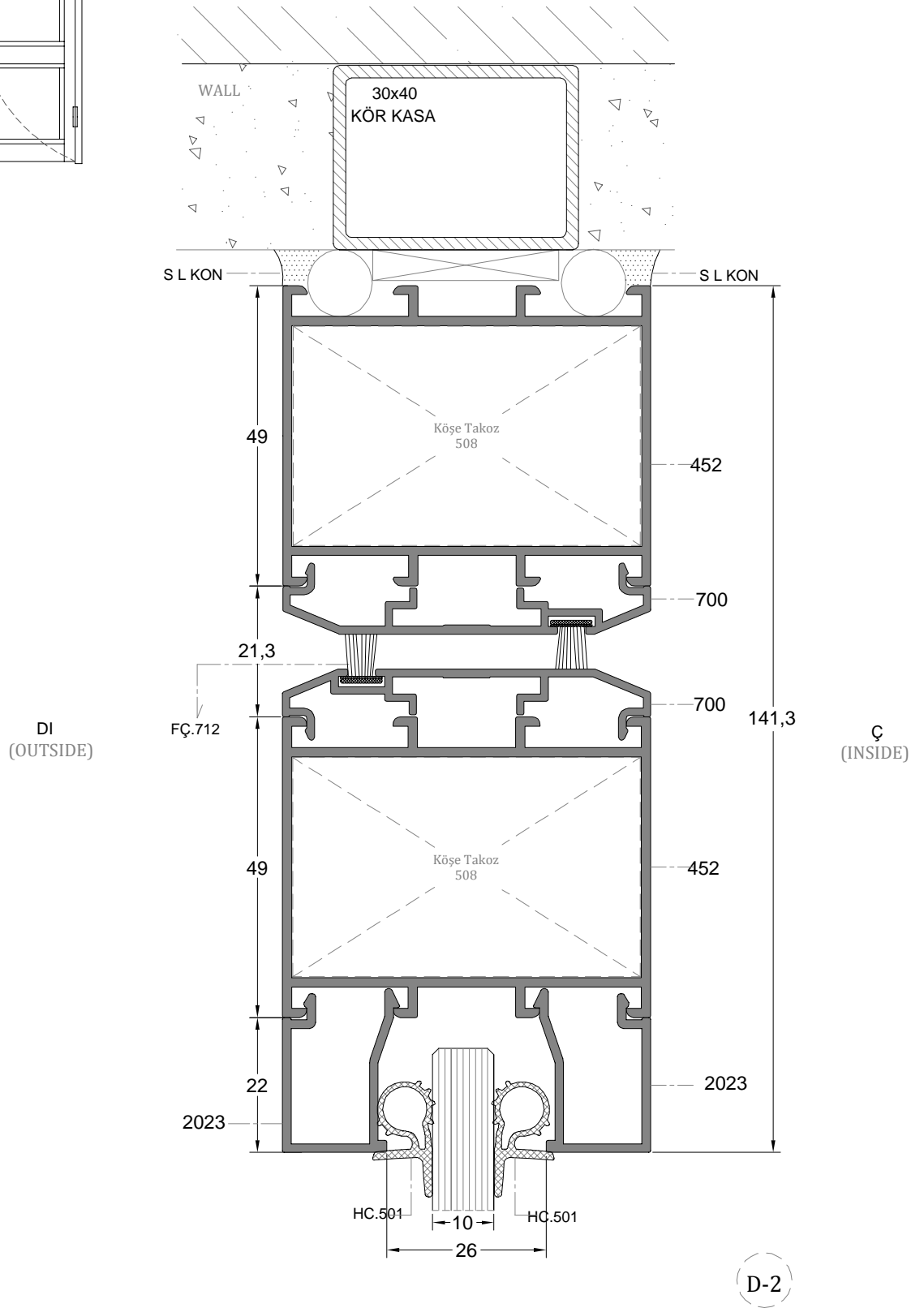
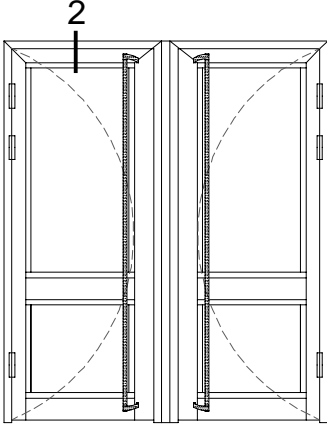
Ç  
(INSIDE)

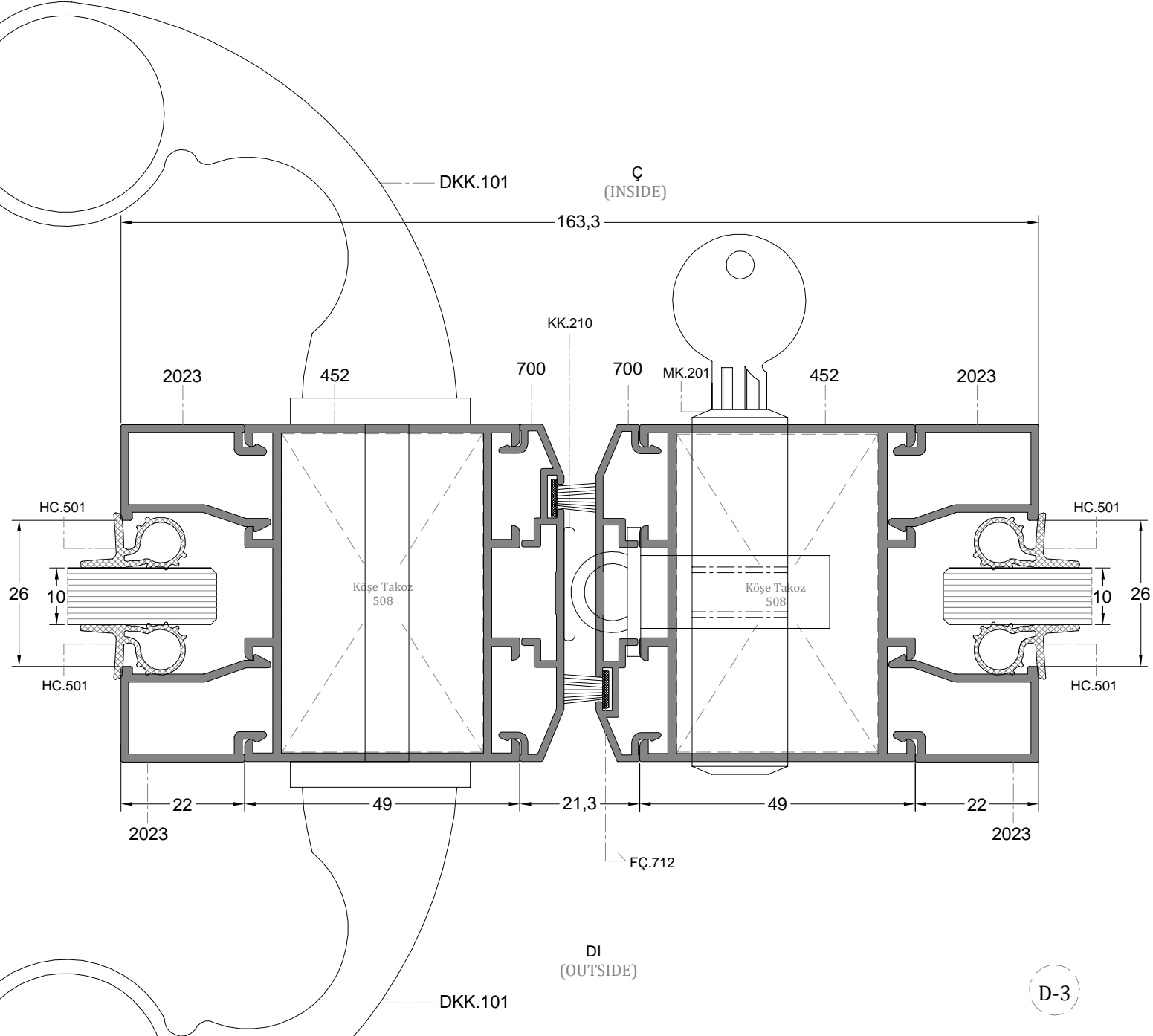
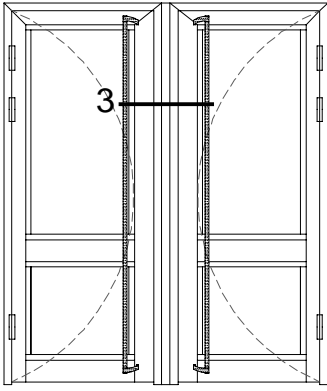
D-1A

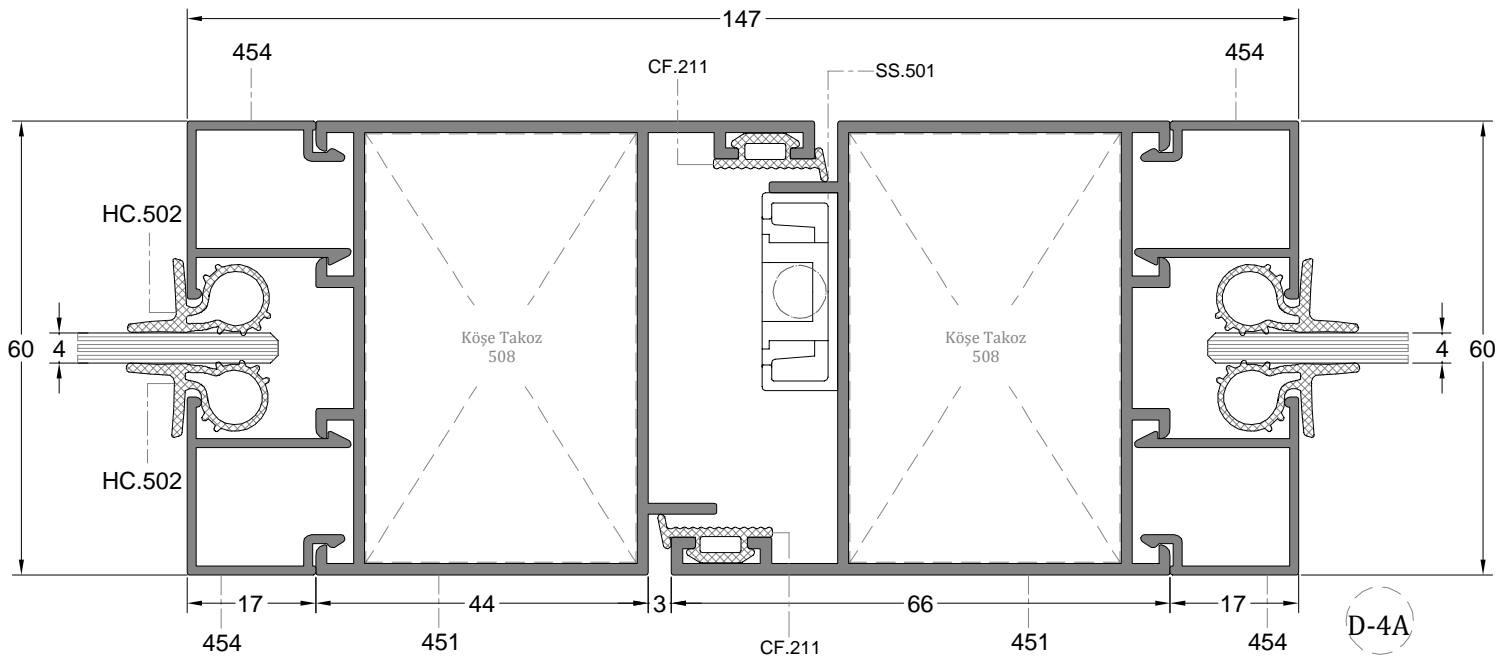
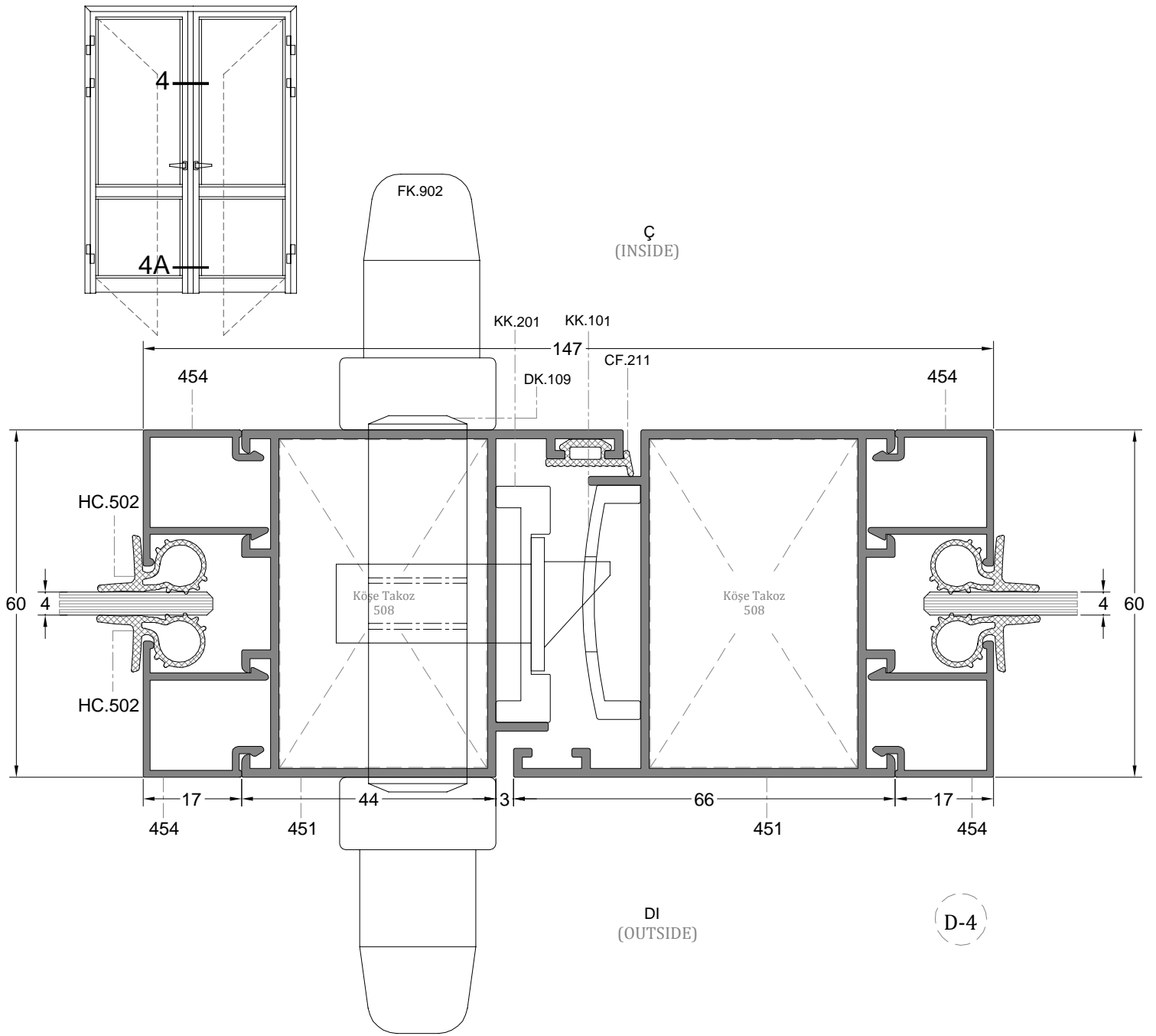


Ç  
(INSIDE)

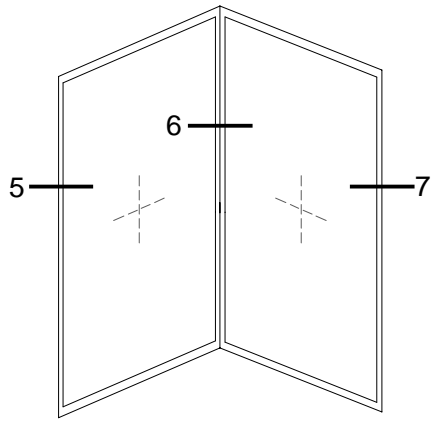




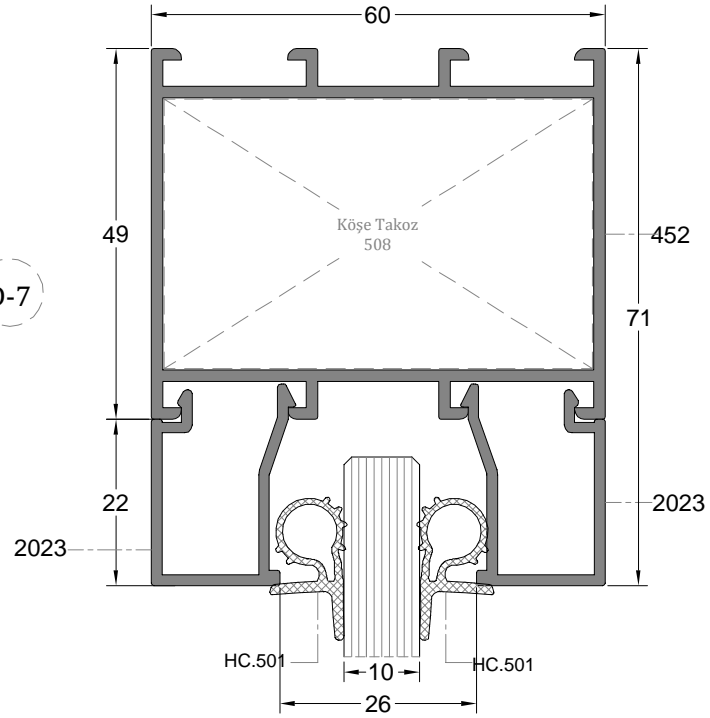




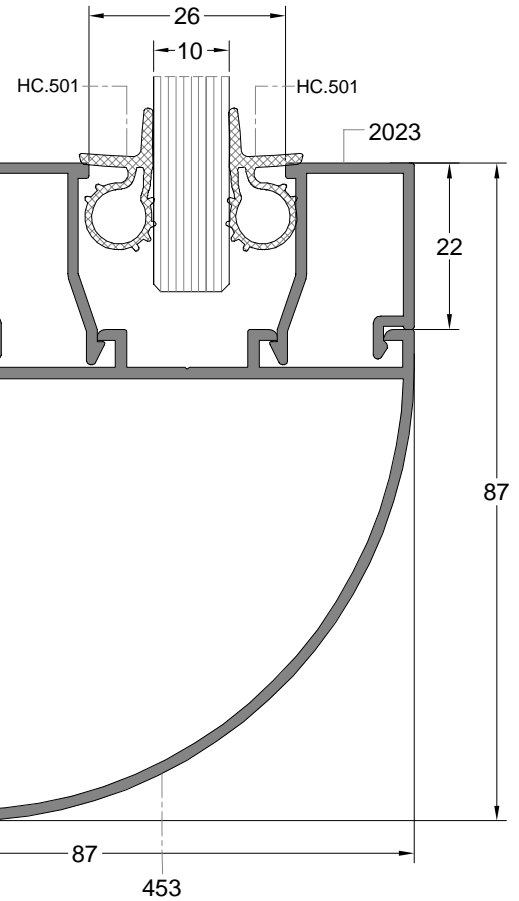




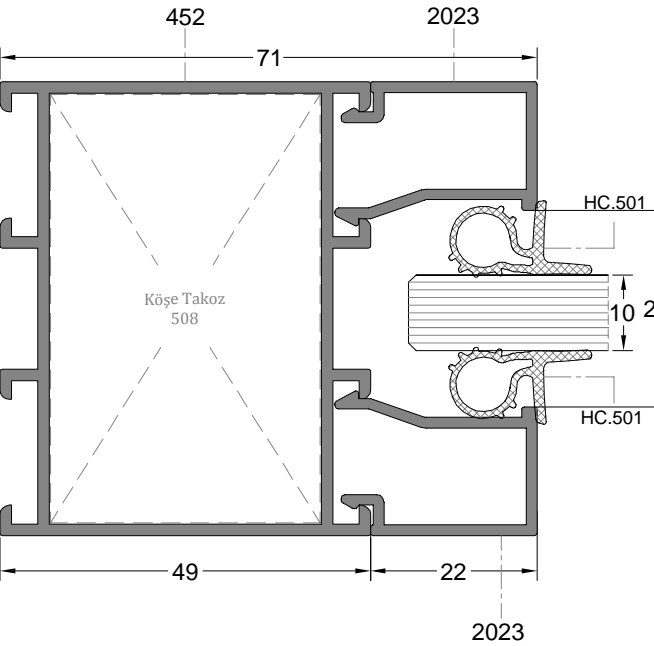
D-7



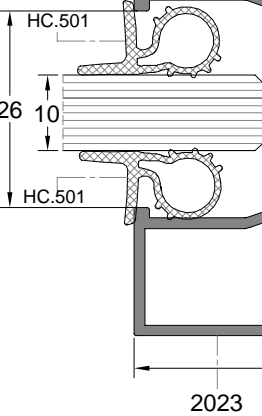
Ç (INSIDE)



D-6



D-5



DI (OUTSIDE)