

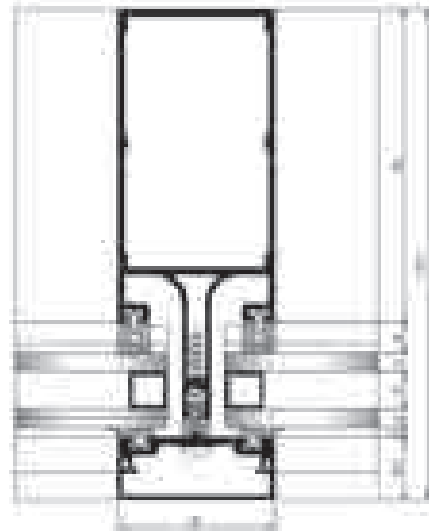
MİMARİ KATALOG

ARCHITECTURAL CATALOGUE

Alüminyum Kapı Pencere ve Giydirme Cephe Sistemleri
Aluminium Window Doors and Facade Systems

R50







TEKNİK ÖZELLİKLERİ / TECHNICAL PROPERTIES

| | |
|---|-----------------------------|
| PROFİL GENİŞLİĞİ / PROFILE WIDTH | 50 mm |
| DİKME DERİNLİKLERİ / MULLION DEPTHS | min. 80mm - max. 200mm |
| KAYIT DERİNLİKLERİ / TRANSOM DEPTHS | min. 30mm - max. 146mm |
| PROFİL ET KALINLIĞI / PROFILE WALL THICKNESS | 1,6/ 1,8/ 2/ 2,2/ 2,5/ 3 mm |
| MAX. CAM KALINLIĞI / MAX. GLASS THICKNESS | 36mm |
| ISI BARIYERLERİ / THERMAL INSULATION BAR | 14,8mm |

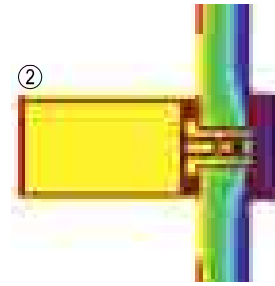
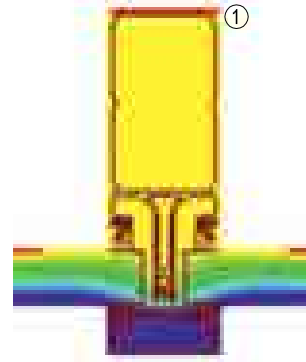
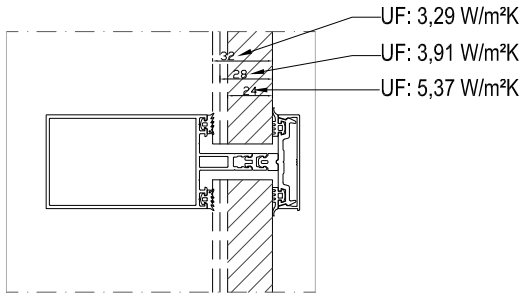
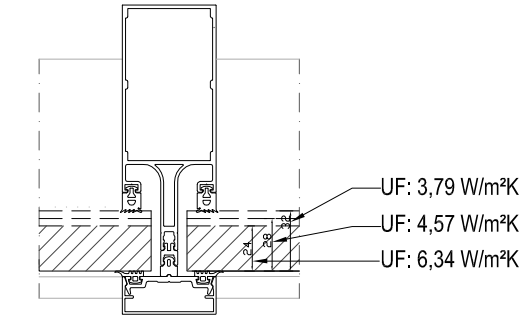
KULLANIM SEÇENEKLERİ / APPLICATION ALTERNATIVES

| | |
|--|---|
| KAPAKLI CEPHE / FACADE WITH CAP | * |
| SİLİKON CEPHE / STRUCTURAL GLAZING | * |
| YARI KAPAKLI CEPHE / TWO SIDE | * |
| DIŞA AÇILIM GİZLİ KANAT / OUTWARD OPENING HIDDEN VENT | * |

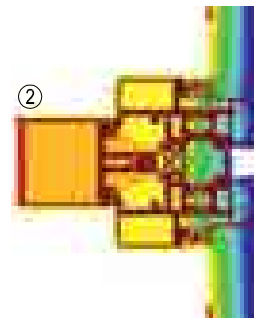
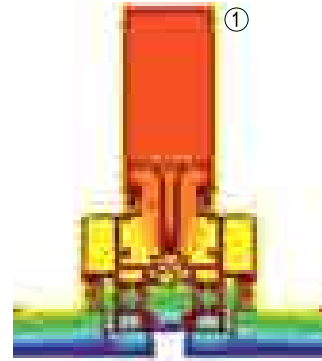
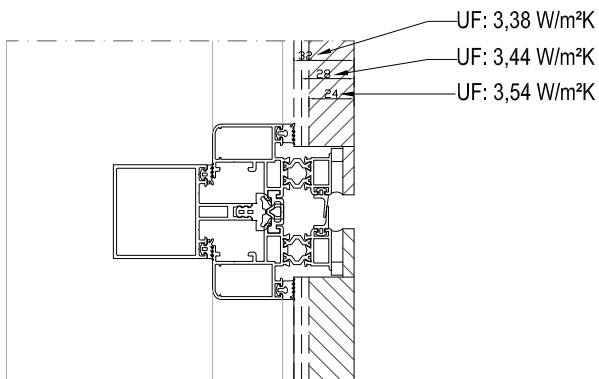
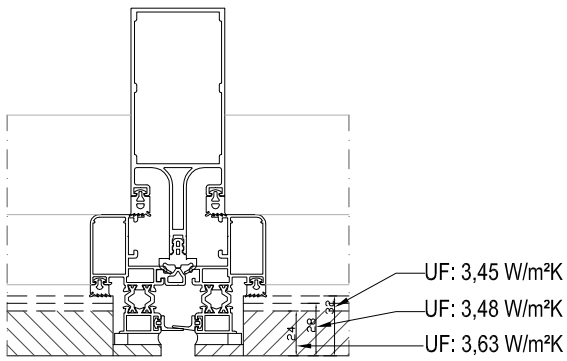
| | | | | | |
|---|--|-----------------------|-----------------------|-----------------------|---------------------------|
| HAVA GEÇİRGENLİĞİ - EN 12152 (AIR PERMEABILITY) | 1 (150 Pa) | 2 (300 Pa) | 3 (450 Pa) | 4 (600 Pa) | |
| SU SIZDIRMAZLIĞI - EN 12154 (WATERTIGHTNESS) | R4 (150 Pa) | R5 (300 Pa) | R6 (450 Pa) | R7 (600 Pa) | RE... (600+ Pa) |
| RÜZGAR YÜKÜNE DAYANIM - EN 13830 (RESISTANCE TO WIND LOAD) | ± 1200 Pa | | | | |
| KAPAKLI SİSTEM UF DEĞERİ - EN 10077-2 (THERMAL INSULATION VALUE) |  2,76-4,54 W/M²K | | | | |
| KASETLİ SİSTEM UF DEĞERİ - EN 10077-2 (THERMAL INSULATION VALUE) |  3,19 W/M²K | | | | |

ISI YALITIM DEĞERLERİ (UF) / THERMAL INSULATION VALUE (UF):

KAPAKLI CEPHE (CURTAIN WALL WITH CAPE)
Cam Kalınlıkları (glass thickness) : min. 18mm - max. 40mm



SİLİKON CEPHE (CURTAIN WALL WITH STRUCTURAL CELLS)
Cam Kalınlıkları (glass thickness) : min. 18mm - max. 40mm



01

02

03

04

05

06

MİMARİ KATALOG

ARCHITECTURAL CATALOGUE

Alüminyum Kapı Pencere ve Giydirme Cephe Sistemleri
Aluminium Window Doors and Facade Systems

R50

PROFİLLER

PROFILES

01

02

03

04

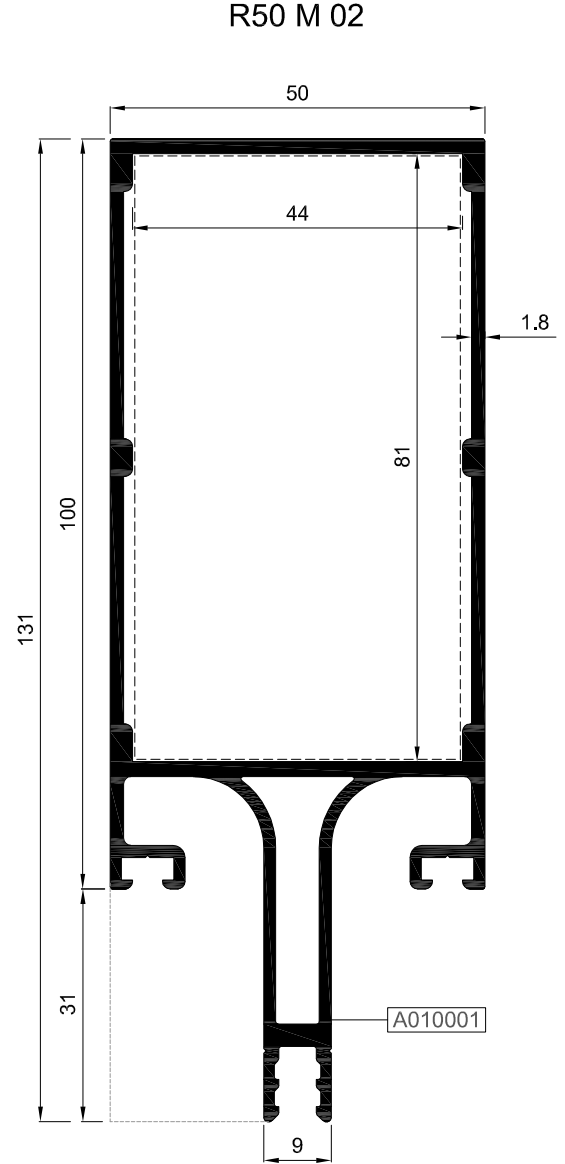
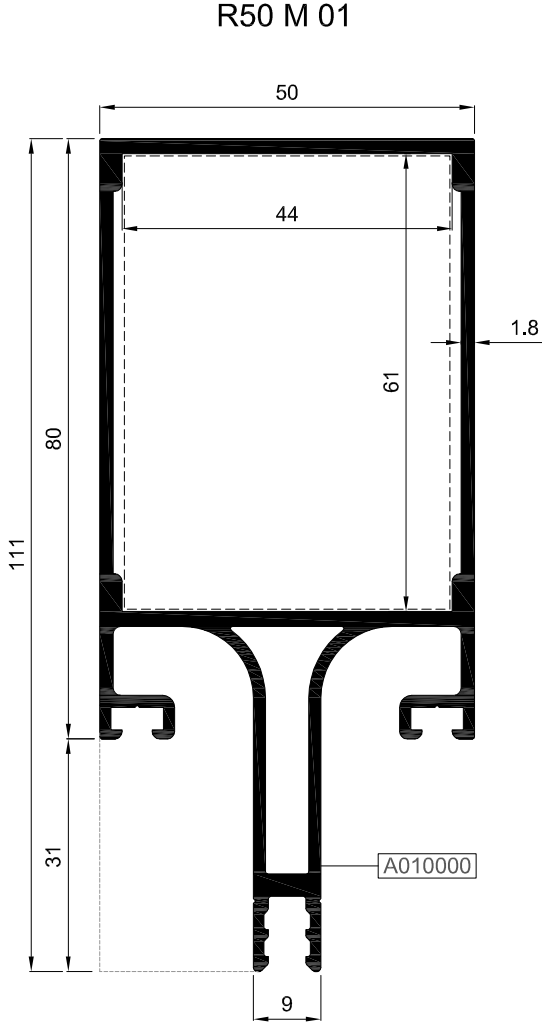
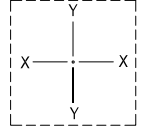
05

06

DÜŞEY PROFİLLER
MULLION PROFILES

R50

| KOD / CODE | AĞIRLIK (kg/m) / WEIGHT | Jxx cm ⁴ | Jyy cm ⁴ | Wx cm ³ | Wy cm ³ | L m |
|------------|-------------------------|---------------------|---------------------|--------------------|--------------------|-----|
| R50 M 01 | 1,956 | 76,277 | 22,984 | 12,871 | 9,194 | 6 |
| R50 M 02 | 2,159 | 124,204 | 27,739 | 18,301 | 11,095 | 6 |

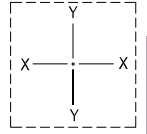


| Nr | DÜŞEY BAĞLANTI PROFİLİ / MULLION CONNECTION PROFILE | | | KESİM ÖLÇÜSÜ CUTTING SIZE | DÜŞEY BAĞLANTI KAPAĞI MULLION CONNECTION CAP |
|----------|---|--------------------------------|----------|------------------------------|---|
| | PROFİL KODU / PROFILE CODE | AKSESUAR KODU / ACCESSORY CODE | | | |
| R50 M 01 | A010000 | R50 C 22 | 06.02.01 | 54,5 mm | 04.10.38 |
| R50 M 02 | A010001 | R50 C 22 | 06.02.02 | 74,5 mm | 04.10.38 |

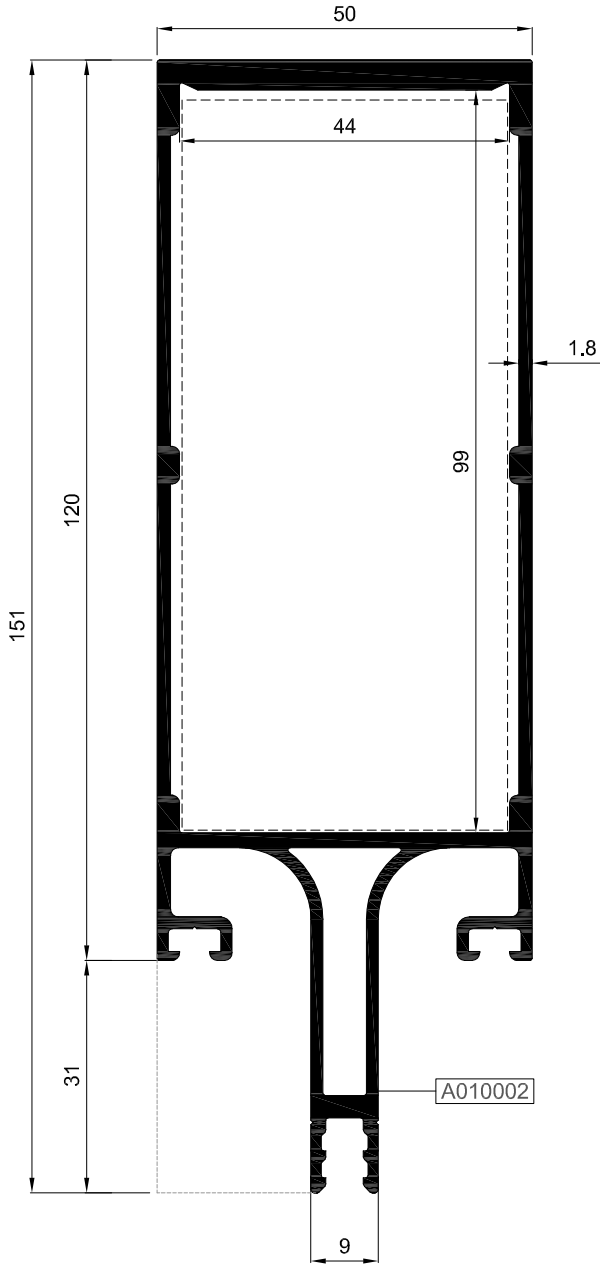
DÜŞEY PROFİLLER
MULLION PROFILES

R50

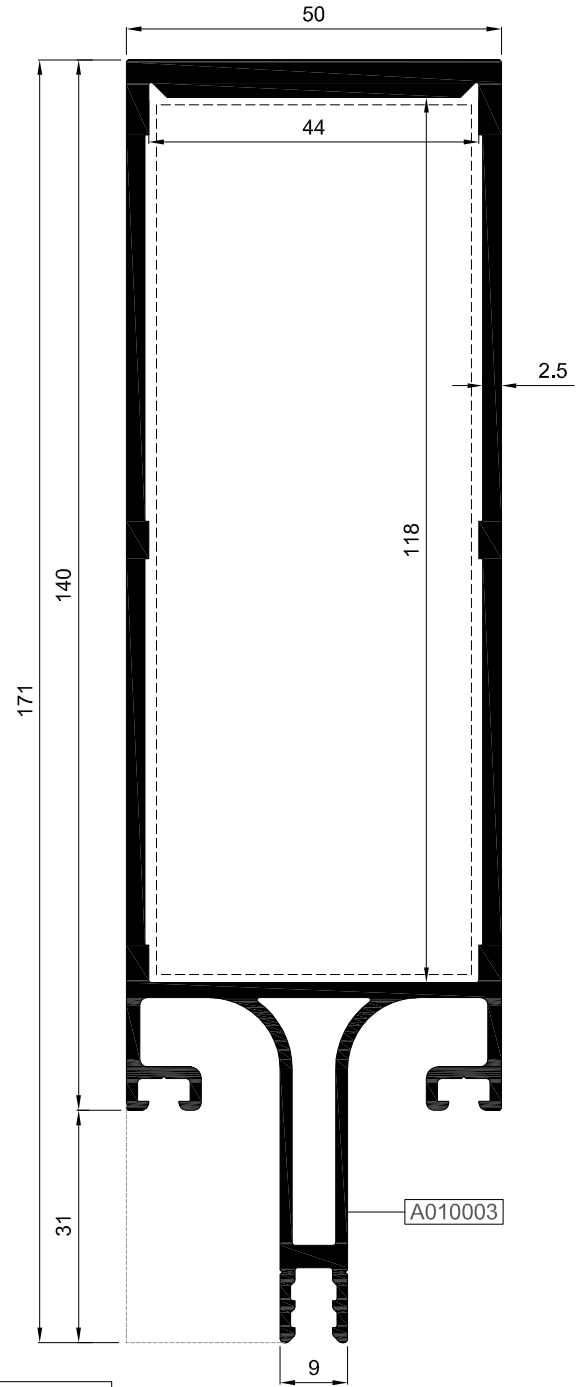
| KOD / CODE | AĞIRLIK (kg/m) / WEIGHT | Jxx cm ⁴ | Jyy cm ⁴ | Wx cm ³ | Wy cm ³ | L m |
|------------|-------------------------|---------------------|---------------------|--------------------|--------------------|-----|
| R50 M 03 | 2,608 | 229,394 | 33,599 | 27,547 | 13,439 | 6 |
| R50 M 04 | 3,318 | 362,158 | 45,975 | 37,408 | 18,390 | 6 |



R50 M 03



R50 M 04

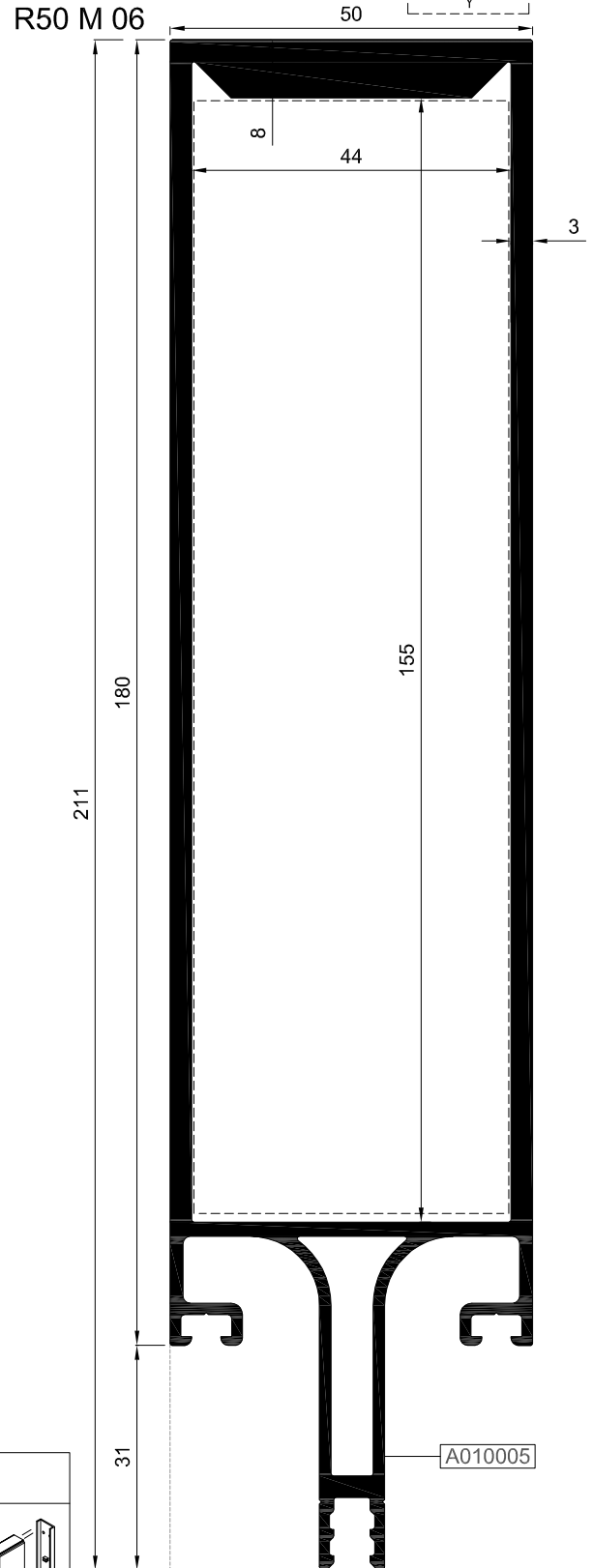
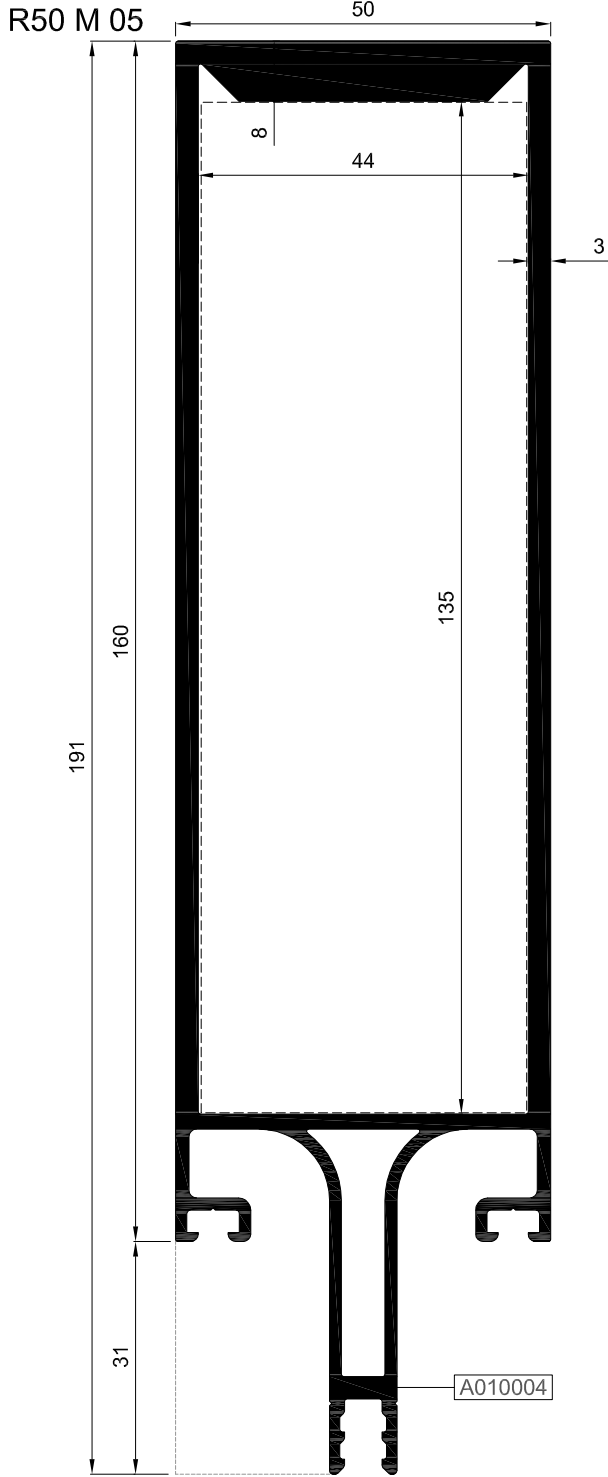
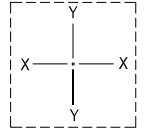




| Nr | DÜŞEY BAĞLANTI PROFİLİ / MULLION CONNECTION PROFILE | | | KESİM ÖLÇÜSÜ CUTTING SIZE | DÜŞEY BAĞLANTI KAPAĞI MULLION CONNECTION CAP |
|----------|---|--------------------------------|----------|------------------------------|---|
| | PROFİL KODU / PROFILE CODE | AKSESUAR KODU / ACCESSORY CODE | | | |
| R50 M 03 | A010002 | R50 C 22 | 06.02.03 | 92,5 mm | 04.10.38 |
| R50 M 04 | A010003 | R50 C 22 | 06.02.04 | 111,5 mm | 04.10.38 |

DÜŞEY PROFİLLER
MULLION PROFILES

R50

| KOD / CODE | AĞIRLIK (kg/m) / WEIGHT | Jxx cm ⁴ | Jyy cm ⁴ | Wx cm ³ | Wy cm ³ | L m |
|------------|-------------------------|---------------------|---------------------|--------------------|--------------------|-----|
| R50 M 05 | 4,208 | 572,600 | 58,900 | 50,722 | 23,560 | 6 |
| R50 M 06 | 4,534 | 757,666 | 65,536 | 61,561 | 26,214 | 6 |

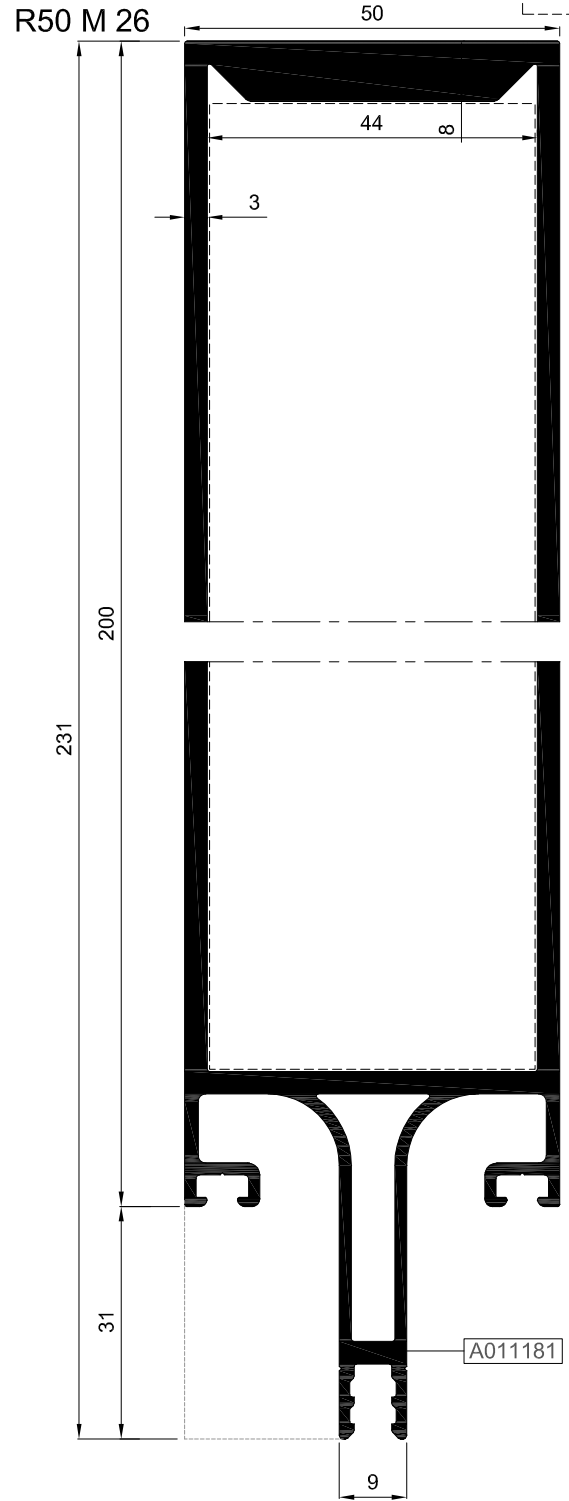
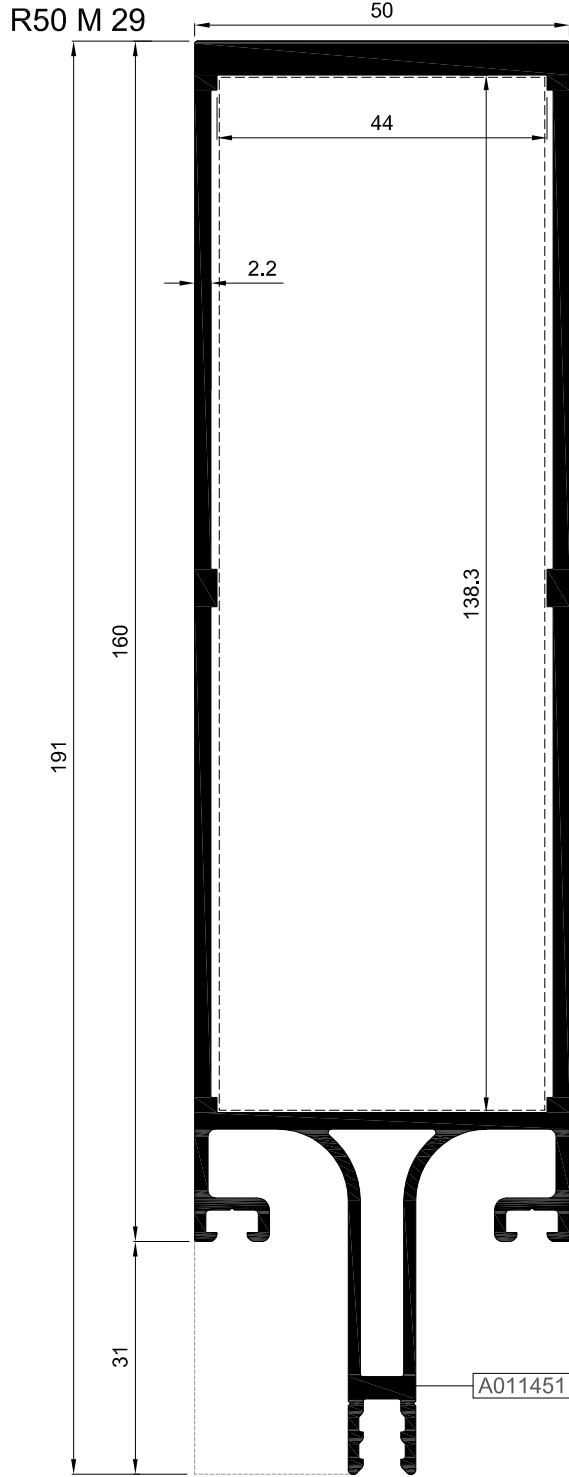
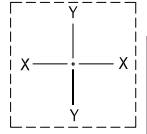


| Nr | DÜŞEY BAĞLANTI PROFİLİ / MULLION CONNECTION PROFILE | | | KESİM ÖLÇÜSÜ CUTTING SIZE | DÜŞEY BAĞLANTI KAPAĞI MULLION CONNECTION CAP |
|----------|---|--------------------------------|----------|--|---|
| | PROFİL KODU / PROFILE CODE | AKSESUAR KODU / ACCESSORY CODE | | | |
| R50 M 05 | A010004 | R50 C 22 | 06.02.05 |  128,5 mm | 04.10.38 |
| R50 M 06 | A010005 | R50 C 22 | 06.02.06 |  148,5 mm | 04.10.38 |

DÜŞEY PROFİLLER
MULLION PROFILES

R50

| KOD / CODE | AĞIRLIK (kg/m) / WEIGHT | Jxx cm ⁴ | Jyy cm ⁴ | Wx cm ³ | Wy cm ³ | L m |
|------------|-------------------------|---------------------|---------------------|--------------------|--------------------|-----|
| R50 M 29 | 3,332 | 470,432 | 47,371 | 45,077 | 18,948 | 6 |
| R50 M 26 | 4,976 | 1007,142 | 72,877 | 76,770 | 29,151 | 6 |



01

02

03

04

05

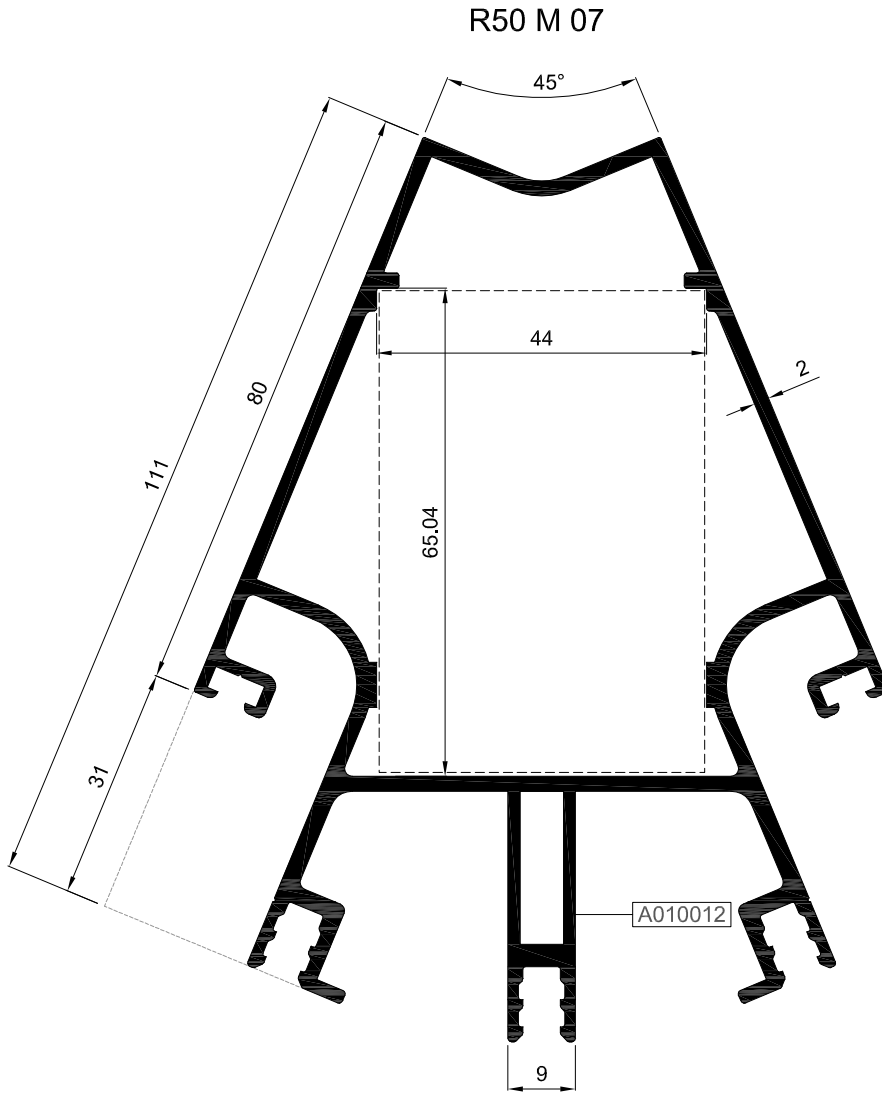
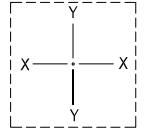
06

| Nr | DÜŞEY BAĞLANTI PROFİLİ / MULLION CONNECTION PROFILE | | | KESİM ÖLÇÜSÜ CUTTING SIZE | DÜŞEY BAĞLANTI KAPAĞI MULLION CONNECTION CAP |
|----------|---|--------------------------------|----------|------------------------------|---|
| | PROFİL KODU / PROFILE CODE | AKSESUAR KODU / ACCESSORY CODE | | | |
| R50 M 29 | A011451 | R50 C 22 | 06.02.18 | 131,8 mm | 04.10.38 |
| R50 M 26 | A011181 | R50 C 22 | 06.02.17 | 167,3 mm | 04.10.38 |

DÜŞEY PROFİLLER
MULLION PROFILES

R50

| KOD / CODE | AĞIRLIK (kg/m) / WEIGHT | Jxx cm ⁴ | Jyy cm ⁴ | Wx cm ³ | Wy cm ³ | L m |
|------------|-------------------------|---------------------|---------------------|--------------------|--------------------|-----|
| R50 M 07 | 2,758 | 119,572 | 72,419 | 17,692 | 15,631 | 6 |

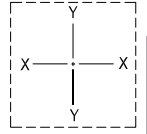


| Nr | DÜŞEY BAĞLANTI PROFİLİ / MULLION CONNECTION PROFILE | | | KESİM ÖLÇÜSÜ CUTTING SIZE | DÜŞEY BAĞLANTI KAPAĞI MULLION CONNECTION CAP |
|----------|---|--------------------------------|----------|------------------------------|---|
| | PROFİL KODU / PROFILE CODE | AKSESUAR KODU / ACCESSORY CODE | | | |
| R50 M 07 | A010012 | R50 C 22 | 06.02.07 | 58,5 mm | 04.10.38 |

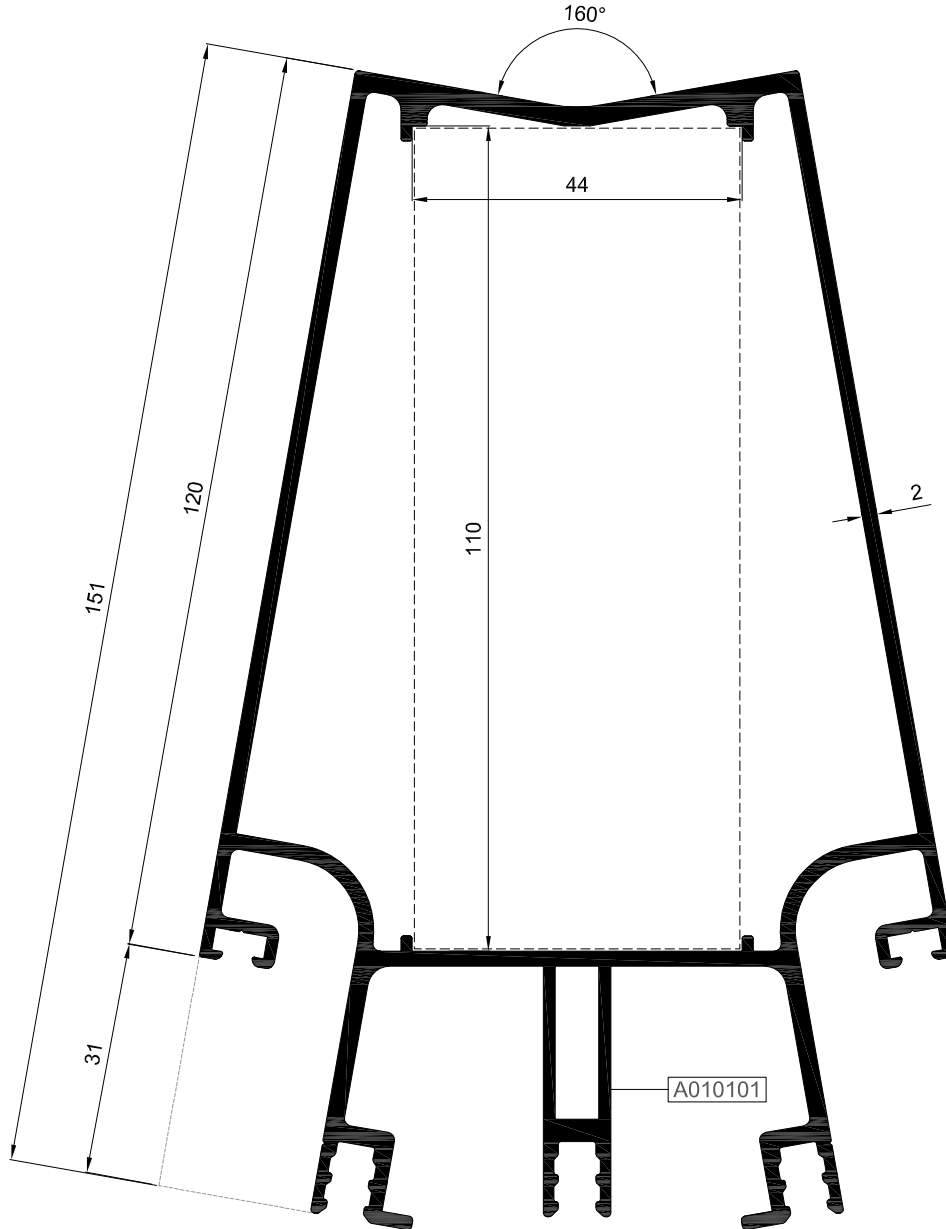
DÜŞEY PROFİLLER
MULLION PROFILES

R50

| KOD / CODE | AĞIRLIK (kg/m) / WEIGHT | Jxx cm ⁴ | Jyy cm ⁴ | Wx cm ³ | Wy cm ³ | L m |
|------------|-------------------------|---------------------|---------------------|--------------------|--------------------|-----|
| R50 M 09 | 3,472 | 331,169 | 123,652 | 38,867 | 24,566 | 6 |



R50 M 09



01

02

03

04

05

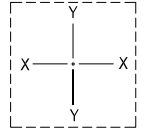
06

| Nr | DÜŞEY BAĞLANTI PROFİLİ / MULLION CONNECTION PROFILE | | KESİM ÖLÇÜSÜ CUTTING SIZE | DÜŞEY BAĞLANTI KAPAĞI MULLION CONNECTION CAP |
|----------|---|--------------------------------|------------------------------|---|
| | PROFİL KODU / PROFILE CODE | AKSESUAR KODU / ACCESSORY CODE | | |
| R50 M 09 | A010101 | R50 C 22 | 103,5 mm | 04.10.38 |

DÜŞEY PROFİLLER
MULLION PROFILES

R50

| KOD / CODE | AĞIRLIK (kg/m) / WEIGHT | Jxx cm ⁴ | Jyy cm ⁴ | Wx cm ³ | Wy cm ³ | L m |
|------------|-------------------------|---------------------|---------------------|--------------------|--------------------|-----|
| R50 M 11 | 3,225 | 134,445 | 134,445 | 21,055 | 21,055 | 6 |



01

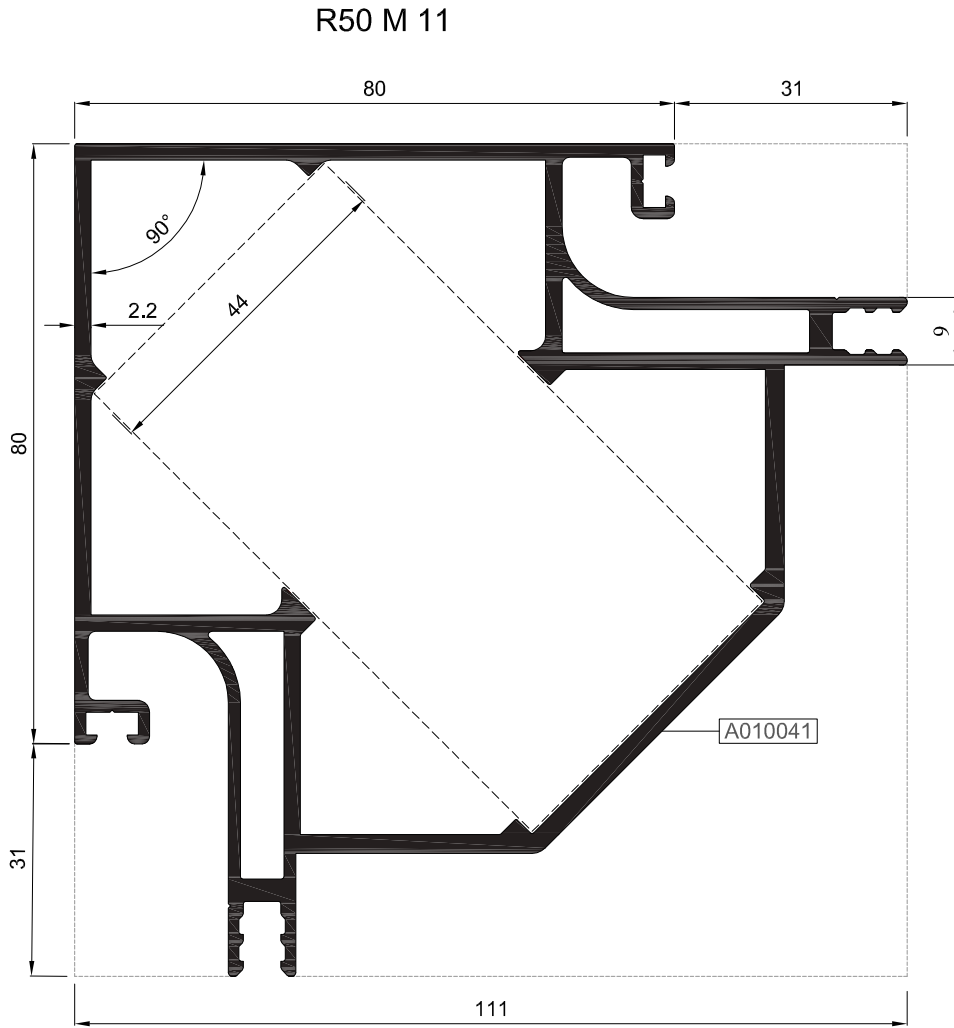
02

03

04

05

06

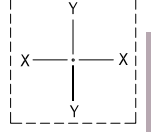


| Nr | DÜŞEY BAĞLANTI PROFİLİ / MULLION CONNECTION PROFILE | | | KEŞİM ÖLÇÜSÜ CUTTING SIZE | DÜŞEY BAĞLANTI KAPAĞI MULLION CONNECTION CAP |
|----------|---|--------------------------------|----------|------------------------------|---|
| | PROFİL KODU / PROFILE CODE | AKSESUAR KODU / ACCESSORY CODE | | | |
| R50 M 11 | A010041 | R50 C 22 | 06.02.11 | 76,6 mm | 04.10.38 |

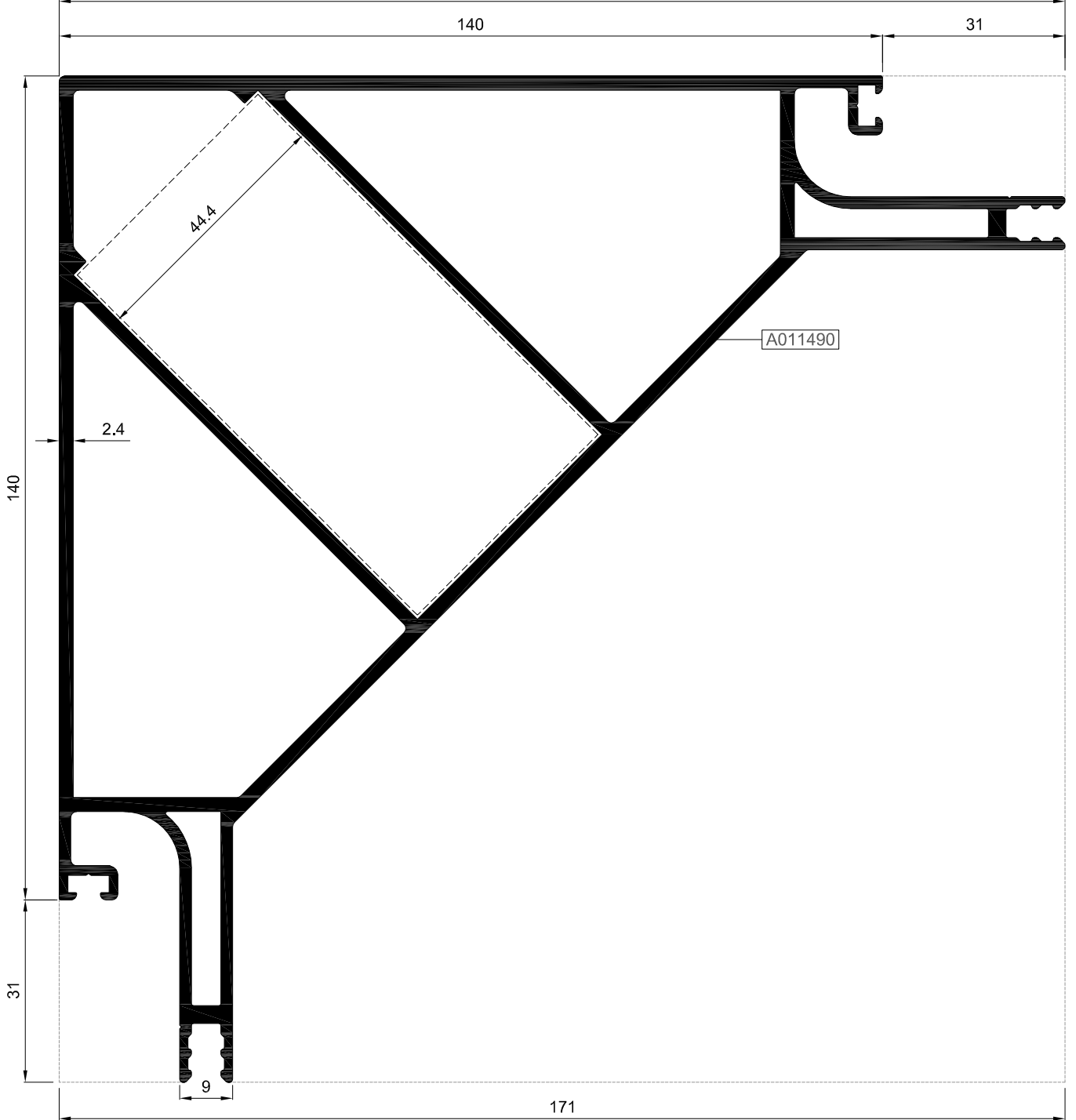
DÜŞEY PROFİLLER
MULLION PROFILES

R50

| KOD / CODE | AĞIRLIK (kg/m) / WEIGHT | Jxx cm ⁴ | Jyy cm ⁴ | Wx cm ³ | Wy cm ³ | L m |
|------------|-------------------------|---------------------|---------------------|--------------------|--------------------|-----|
| R50 M 30 | 5,200 | 466,584 | 466,584 | 41,390 | 41,389 | 6 |



R50 M 30
171

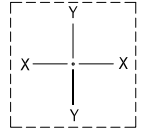


| Nr | DÜŞEY BAĞLANTI PROFİLİ / MULLION CONNECTION PROFILE | | | KESİM ÖLÇÜSÜ CUTTING SIZE | DÜŞEY BAĞLANTI KAPAĞI MULLION CONNECTION CAP |
|----------|---|--------------------------------|----------|------------------------------|---|
| | PROFİL KODU / PROFILE CODE | AKSESUAR KODU / ACCESSORY CODE | | | |
| R50 M 30 | A011490 | R50 C 22 | 06.02.19 | 76,3 mm | 04.10.38 |

DÜŞEY PROFİLLER
MULLION PROFILES

R50

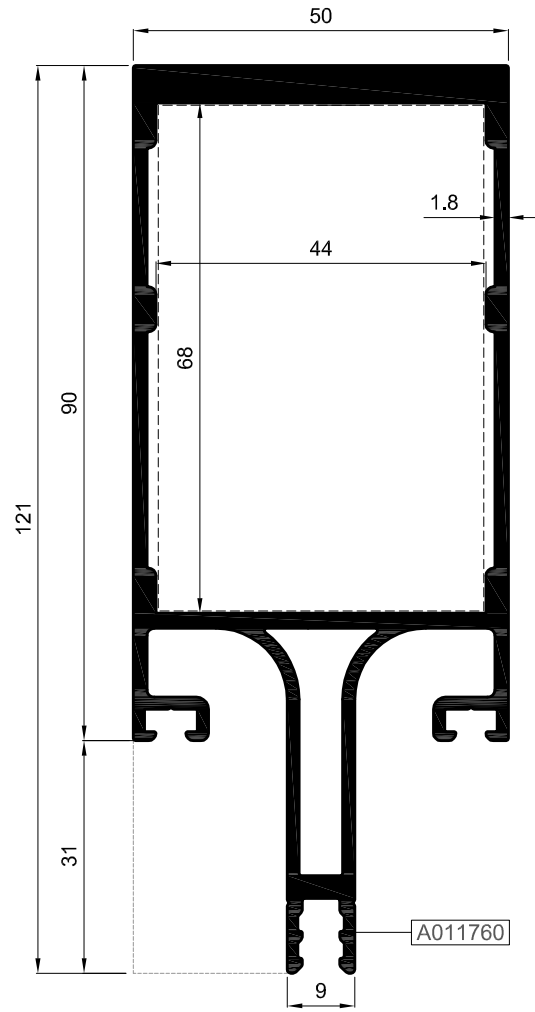
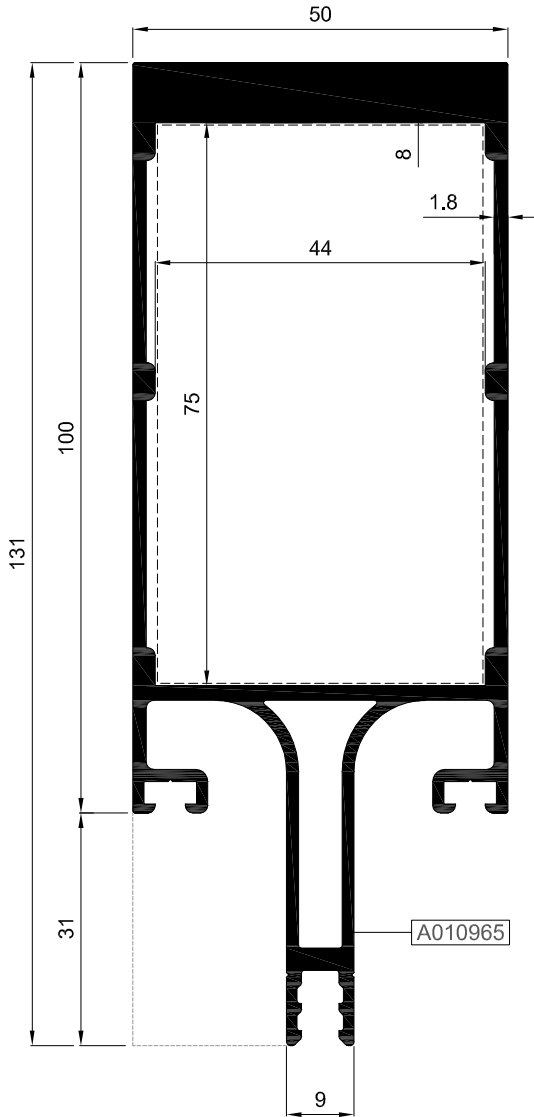
| KOD / CODE | AĞIRLIK (kg/m) / WEIGHT | Jxx cm ⁴ | Jyy cm ⁴ | Wx cm ³ | Wy cm ³ | L m |
|------------|-------------------------|---------------------|---------------------|--------------------|--------------------|-----|
| R50 M 19 | 2,915 | 193,445 | 32,734 | 23,347 | 13,093 | 6 |
| R50 M 35 | 2,459 | 133,094 | 28,510 | 18,459 | 11,404 | 6 |



01

R50 M 19

R50 M 35



02

03

04

05

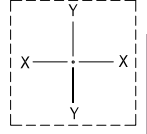
06

| Nr | DÜŞEY BAĞLANTI PROFİLİ / MULLION CONNECTION PROFILE | | | KESİM ÖLÇÜSÜ CUTTING SIZE | DÜŞEY BAĞLANTI KAPAĞI MULLION CONNECTION CAP |
|----------|---|--------------------------------|----------|------------------------------|---|
| | PROFİL KODU / PROFILE CODE | AKSESUAR KODU / ACCESSORY CODE | | | |
| R50 M 19 | A010965 | R50 C 22 | 06.02.15 | 68,5 mm | 04.10.38 |
| R50 M 35 | A011760 | R50 C 22 | 06.02.21 | 61,5 mm | 04.10.38 |

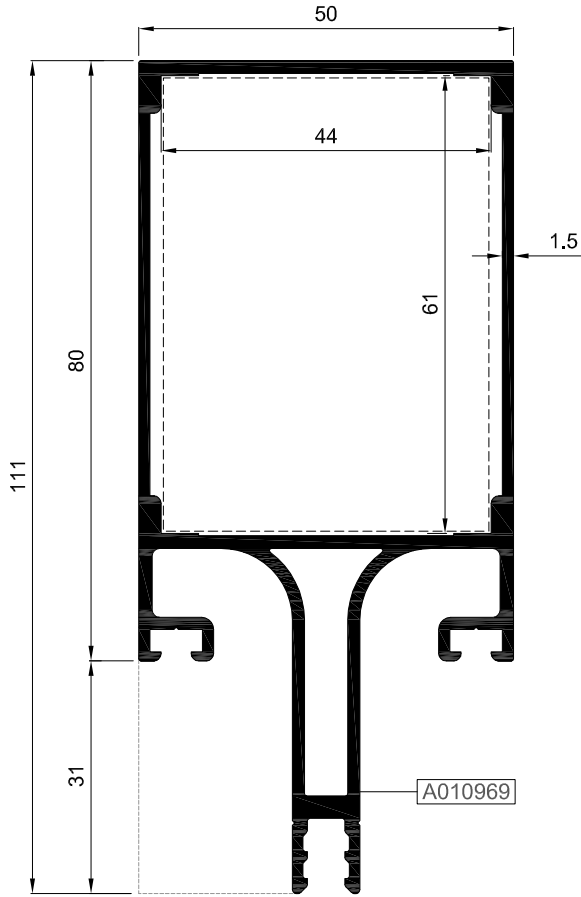
DÜŞEY PROFİLLER
MULLION PROFILES

R50

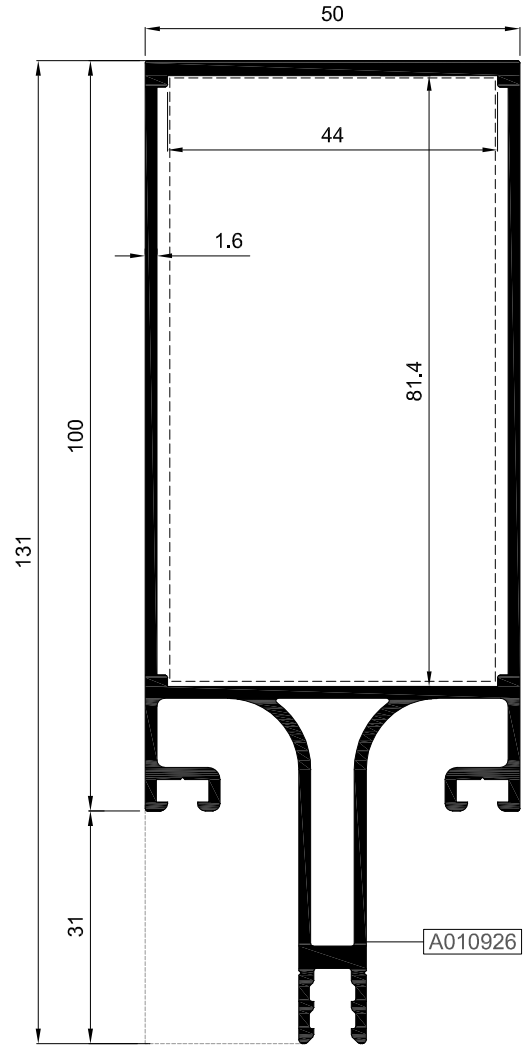
| KOD / CODE | AĞIRLIK (kg/m) / WEIGHT | Jxx cm ⁴ | Jyy cm ⁴ | Wx cm ³ | Wy cm ³ | L m |
|------------|-------------------------|---------------------|---------------------|--------------------|--------------------|-----|
| R50 M 20 | 1,796 | 71,665 | 21,192 | 12,403 | 8,477 | 6 |
| R50 M 18 | 1,941 | 116,818 | 24,114 | 17,476 | 9,646 | 6 |



R50 M 20



R50 M 18



01

02

03

04

05

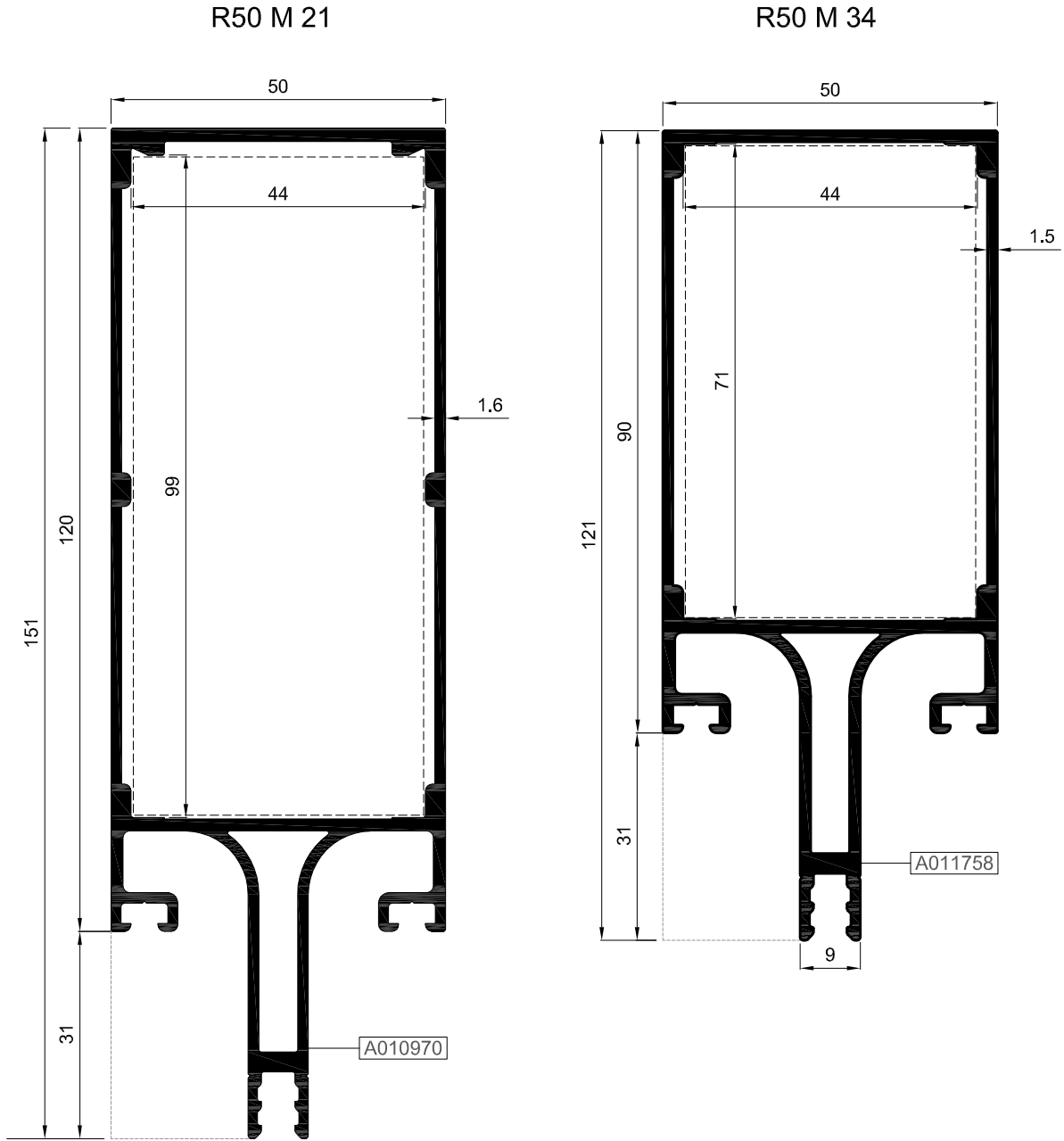
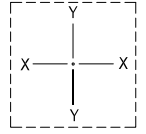
06

| Nr | DÜŞEY BAĞLANTI PROFİLİ / MULLION CONNECTION PROFILE | | | KESİM ÖLÇÜSÜ CUTTING SIZE | DÜŞEY BAĞLANTI KAPAĞI MULLION CONNECTION CAP |
|----------|---|--------------------------------|----------|------------------------------|---|
| | PROFİL KODU / PROFILE CODE | AKSESUAR KODU / ACCESSORY CODE | | | |
| R50 M 20 | A010969 | R50 C 22 | 06.02.01 | 54,5 mm | 04.10.38 |
| R50 M 18 | A010926 | R50 C 22 | 06.02.14 | 74,9 mm | 04.10.38 |

DÜŞEY PROFİLLER
MULLION PROFILES

R50

| KOD / CODE | AĞIRLIK (kg/m) / WEIGHT | Jxx cm ⁴ | Jyy cm ⁴ | Wx cm ³ | Wy cm ³ | L m |
|------------|-------------------------|---------------------|---------------------|--------------------|--------------------|-----|
| R50 M 21 | 2,306 | 193,516 | 30,931 | 24,920 | 12,373 | 6 |
| R50 M 34 | 1,871 | 91,933 | 22,880 | 18,240 | 9,152 | 6 |

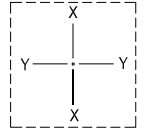


| Nr | DÜŞEY BAĞLANTI PROFİLİ / MULLION CONNECTION PROFILE | | | KESİM ÖLÇÜSÜ CUTTING SIZE | DÜŞEY BAĞLANTI KAPAĞI MULLION CONNECTION CAP |
|----------|---|--------------------------------|----------|------------------------------|---|
| | PROFİL KODU / PROFILE CODE | AKSESUAR KODU / ACCESSORY CODE | | | |
| R50 M 21 | A010970 | R50 C 22 | 06.02.03 | 92,5 mm | 04.10.38 |
| R50 M 34 | A011758 | R50 C 22 | 06.02.20 | 64,5 mm | 04.10.38 |

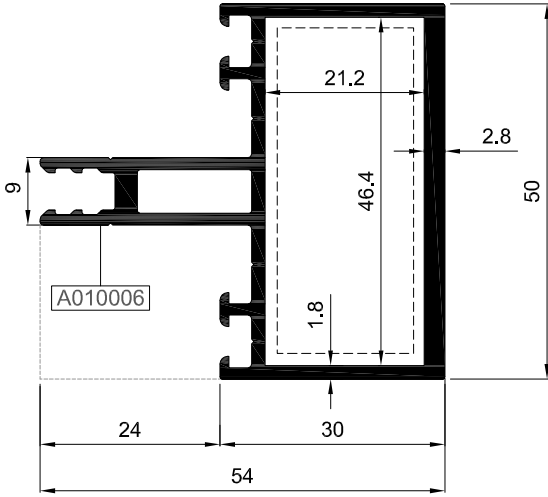
YATAY PROFİLLER
TRANSOM PROFILES

R50

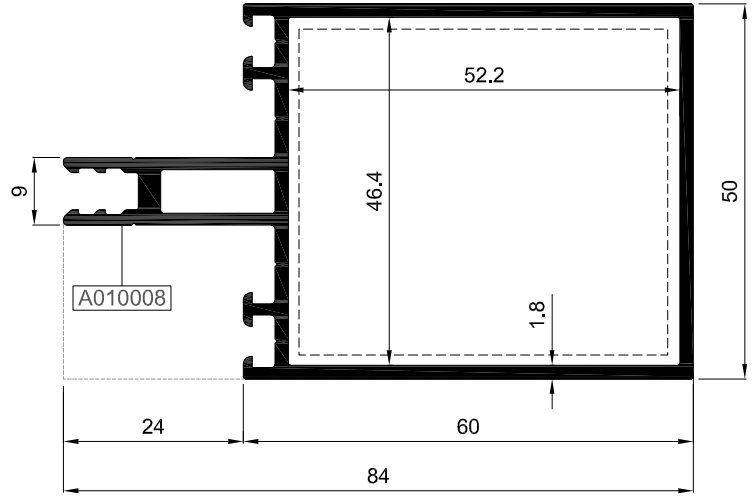
| KOD / CODE | AĞIRLIK (kg/m) / WEIGHT | Jxx cm ⁴ | Jyy cm ⁴ | Wx cm ³ | Wy cm ³ | L m |
|------------|-------------------------|---------------------|---------------------|--------------------|--------------------|-----|
| R50 T 01 | 1,237 | 11,063 | 10,073 | 3,221 | 4,029 | 6 |
| R50 T 02 | 1,288 | 23,948 | 14,088 | 5,890 | 5,635 | 6 |
| R50 T 03 | 1,384 | 34,565 | 16,180 | 7,683 | 6,472 | 6 |
| R50 T 19 | 1,485 | 27,084 | 17,928 | 5,819 | 7,171 | 6 |



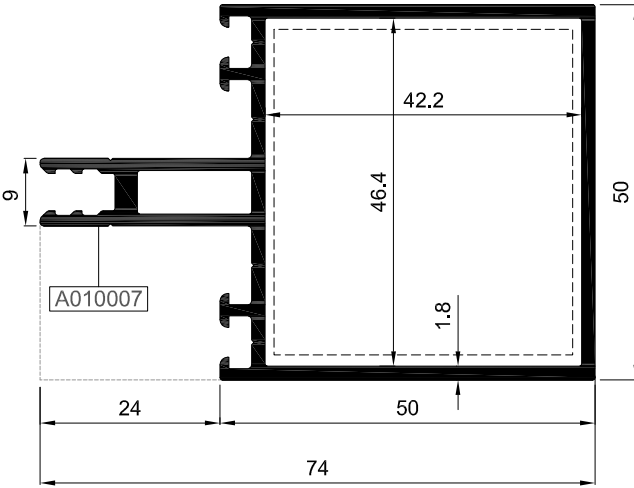
R50 T 01



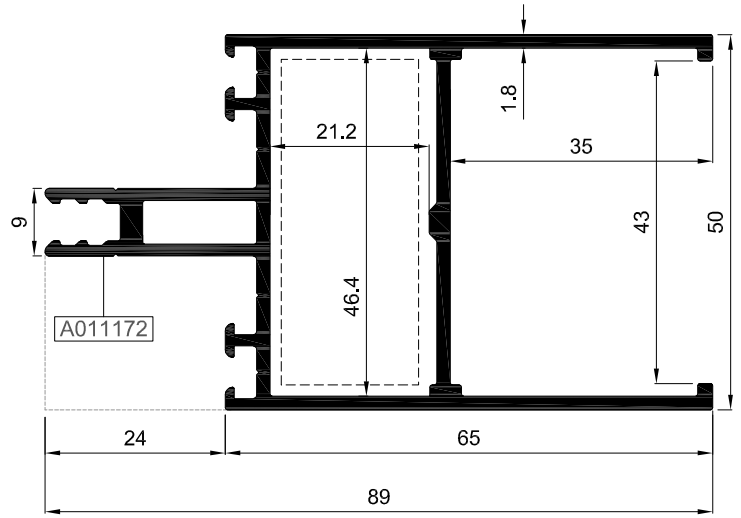
R50 T 03



R50 T 02



R50 T 19



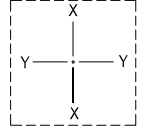
| Nr | YATAY BAĞLANTI PROFİLİ / TRANSOM CONNECTION PROFILE | | | | KESİM ÖLÇÜSÜ CUTTING SIZE |
|----------|---|--------------------------------|----------|---------|------------------------------|
| | PROFİL KODU / PROFILE CODE | AKSESUAR KODU / ACCESSORY CODE | | | |
| R50 T 01 | A010006 | R50 C 06 | 05.02.01 | 20,7 mm | |
| R50 T 02 | A010007 | R50 C 06 | 05.02.02 | 41,9 mm | |
| R50 T 03 | A010008 | R50 C 06 | 05.02.03 | 51,9 mm | |

| Nr | YATAY BAĞLANTI PROFİLİ / TRANSOM CONNECTION PROFILE | | | | KESİM ÖLÇÜSÜ CUTTING SIZE |
|----------|---|--------------------------------|-----------|---------|------------------------------|
| | PROFİL KODU / PROFILE CODE | AKSESUAR KODU / ACCESSORY CODE | | | |
| R50 T 01 | A010006 | (A010756) | 05.03.01 | 20,9 mm | |
| | | (A010757) | 05.03.11 | 20,9 mm | |
| | | TPV | 04.23.T01 | 23,0 mm | |
| R50 T 02 | A010007 | (A010756) | 05.03.02 | 40,9 mm | |
| | | (A010757) | 05.03.12 | 41,9 mm | |
| | | TPV | 04.23.T02 | 45,0 mm | |
| R50 T 03 | A010008 | (A010756) | 05.03.03 | 50,9 mm | |
| | | (A010757) | 05.03.13 | 51,9 mm | |
| | | TPV | 04.23.T03 | 55,0 mm | |

YATAY PROFİLLER
TRANSOM PROFILES

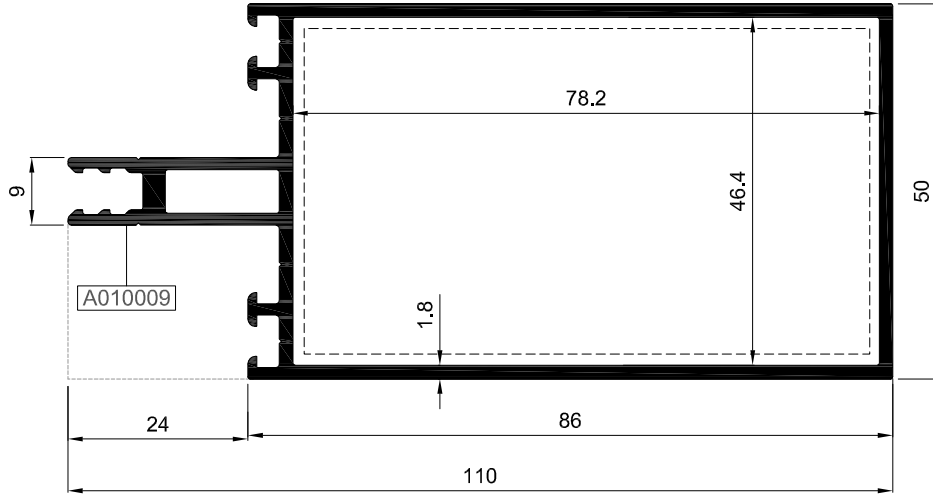
R50

| KOD / CODE | AĞIRLIK (kg/m) / WEIGHT | Jxx cm ⁴ | Jyy cm ⁴ | Wx cm ³ | Wy cm ³ | L m |
|------------|-------------------------|---------------------|---------------------|--------------------|--------------------|-----|
| R50 T 04 | 1,640 | 74,423 | 21,619 | 13,145 | 8,648 | 6 |
| R50 T 05 | 1,834 | 118,723 | 25,803 | 18,037 | 10,321 | 6 |



01

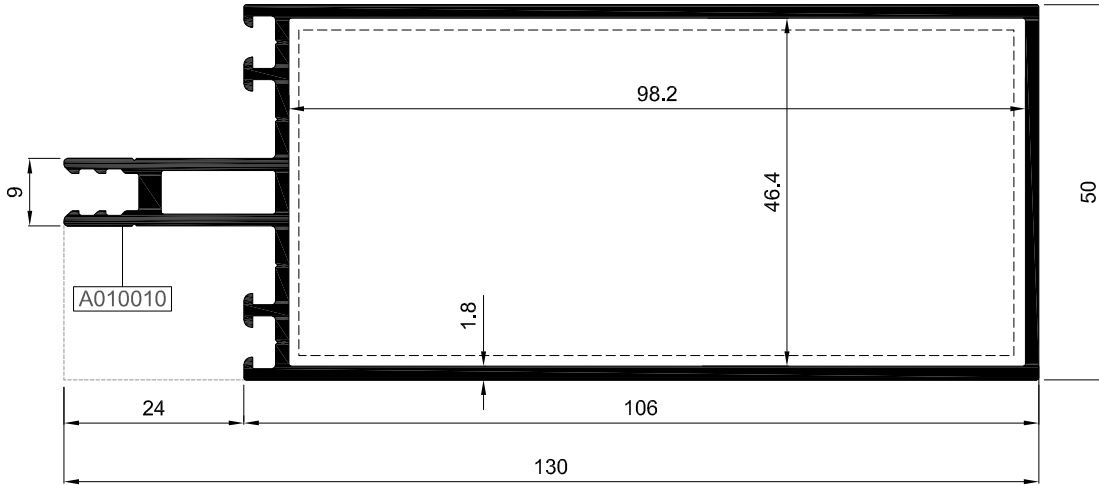
R50 T 04



02

03

R50 T 05



04

05

06

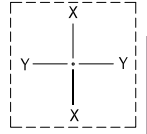
| Nr | YATAY BAĞLANTI PROFİLİ / TRANSOM CONNECTION PROFILE | | | | KESİM ÖLÇÜSÜ CUTTING SIZE |
|----------|---|--------------------------------|----------|--|------------------------------|
| | PROFİL KODU / PROFILE CODE | AKSESUAR KODU / ACCESSORY CODE | | | |
| R50 T 04 | A010009 | R50 C 06 | 05.02.04 | | 77,8 mm |
| R50 T 05 | A010010 | R50 C 06 | 05.02.05 | | 97,8 mm |

| Nr | YATAY BAĞLANTI PROFİLİ / TRANSOM CONNECTION PROFILE | | | | KESİM ÖLÇÜSÜ CUTTING SIZE |
|----------|---|--------------------------------|-----------|--|------------------------------|
| | PROFİL KODU / PROFILE CODE | AKSESUAR KODU / ACCESSORY CODE | | | |
| R50 T 04 | A010009 | (A010756) | 05.03.04 | | 76,9 mm |
| | | (A010757) | 05.03.14 | | 77,8 mm |
| | | TPV | 04.23.T04 | | 81,0 mm |
| R50 T 05 | A010010 | (A010756) | 05.03.05 | | 96,9 mm |
| | | (A010757) | 05.03.15 | | 97,8 mm |
| | | TPV | 04.23.T05 | | 101,0 mm |

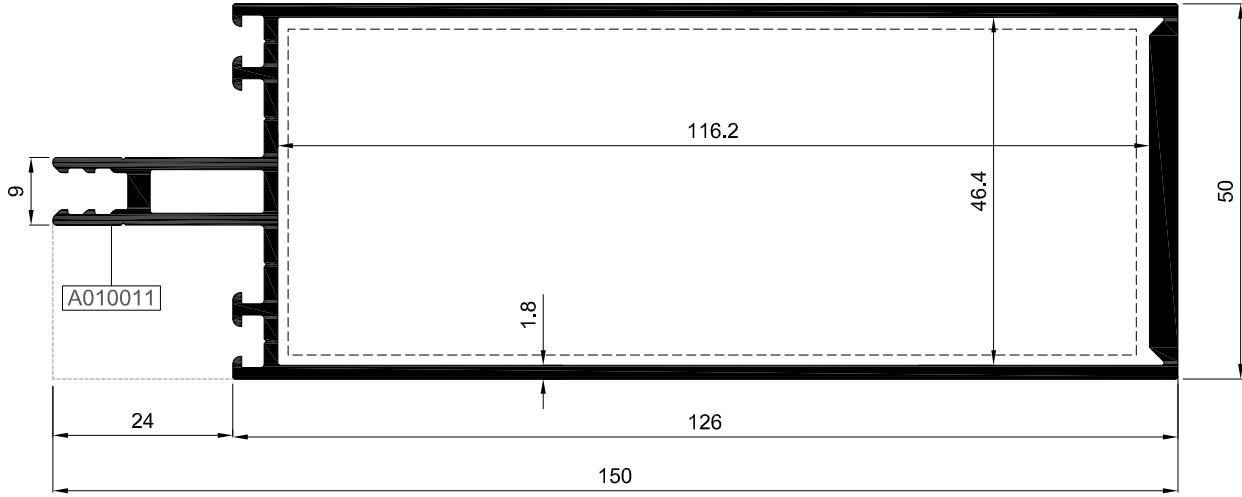
YATAY PROFİLLER
TRANSOM PROFILES

R50

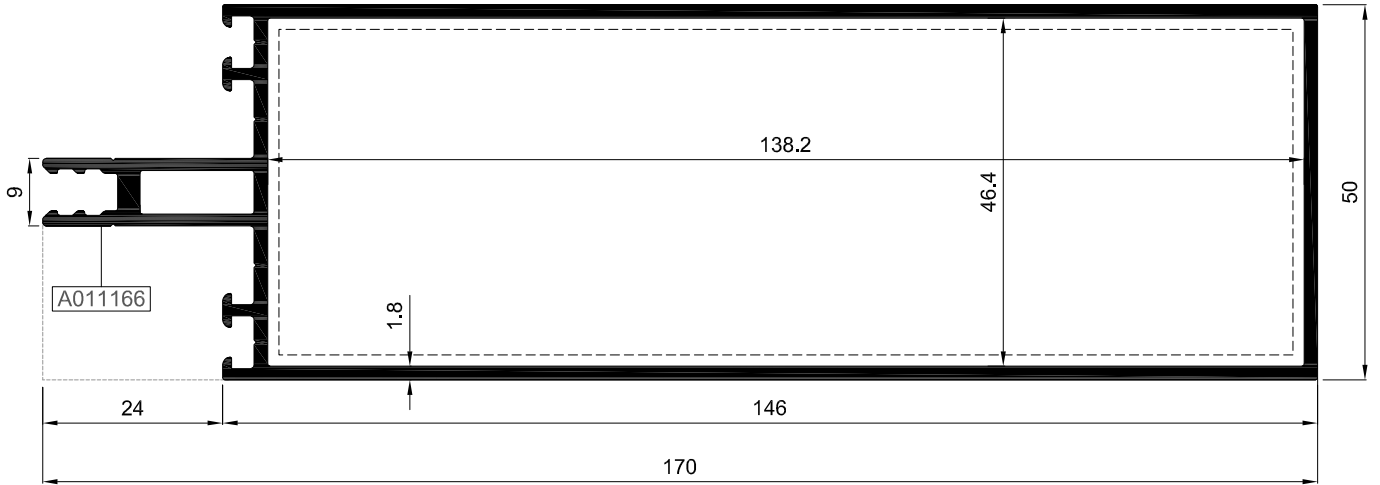
| KOD / CODE | AĞIRLIK (kg/m) / WEIGHT | Jxx cm ⁴ | Jyy cm ⁴ | Wx cm ³ | Wy cm ³ | L m |
|------------|-------------------------|---------------------|---------------------|--------------------|--------------------|-----|
| R50 T 06 | 2,266 | 216,994 | 31,366 | 26,244 | 12,547 | 6 |
| R50 T 17 | 2,227 | 249,355 | 34,169 | 29,207 | 13,667 | 6 |



R50 T 06



R50 T 17



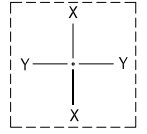
| Nr | YATAY BAĞLANTI PROFİLİ / TRANSOM CONNECTION PROFILE | | | | KESİM ÖLÇÜSÜ CUTTING SIZE |
|----------|---|--------------------------------|----------|--|------------------------------|
| | PROFİL KODU / PROFILE CODE | AKSESUAR KODU / ACCESSORY CODE | | | |
| R50 T 06 | A010011 | R50 C 06 | 05.02.06 | | 115,8 mm |
| R50 T 17 | A011166 | R50 C 06 | 05.02.09 | | 137,8 mm |

| Nr | YATAY BAĞLANTI PROFİLİ / TRANSOM CONNECTION PROFILE | | | | KESİM ÖLÇÜSÜ CUTTING SIZE |
|----------|---|--------------------------------|-----------|--|------------------------------|
| | PROFİL KODU / PROFILE CODE | AKSESUAR KODU / ACCESSORY CODE | | | |
| R50 T 06 | A010011 | (A010756) | 05.03.06 | | 116,9 mm |
| | | (A010757) | 05.03.16 | | 115,8 mm |
| | | TPV | 04.23.T06 | | 120,0 mm |

YATAY PROFİLLER
TRANSOM PROFILES

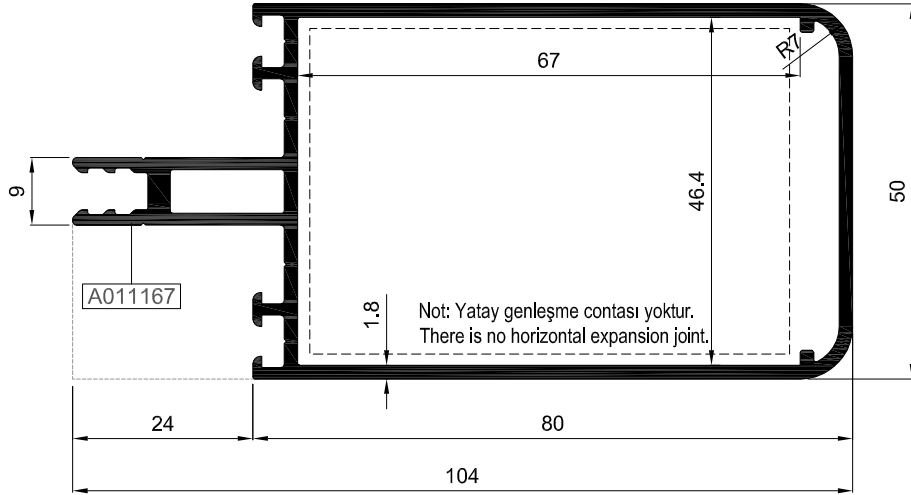
R50

| KOD / CODE | AĞIRLIK (kg/m) / WEIGHT | Jxx cm ⁴ | Jyy cm ⁴ | Wx cm ³ | Wy cm ³ | L m |
|------------|-------------------------|---------------------|---------------------|--------------------|--------------------|-----|
| R50 T 15 | 1,576 | 62,543 | 20,106 | 11,674 | 8,043 | 6 |
| R50 T 16 | 1,878 | 130,243 | 26,591 | 19,207 | 10,637 | 6 |



01

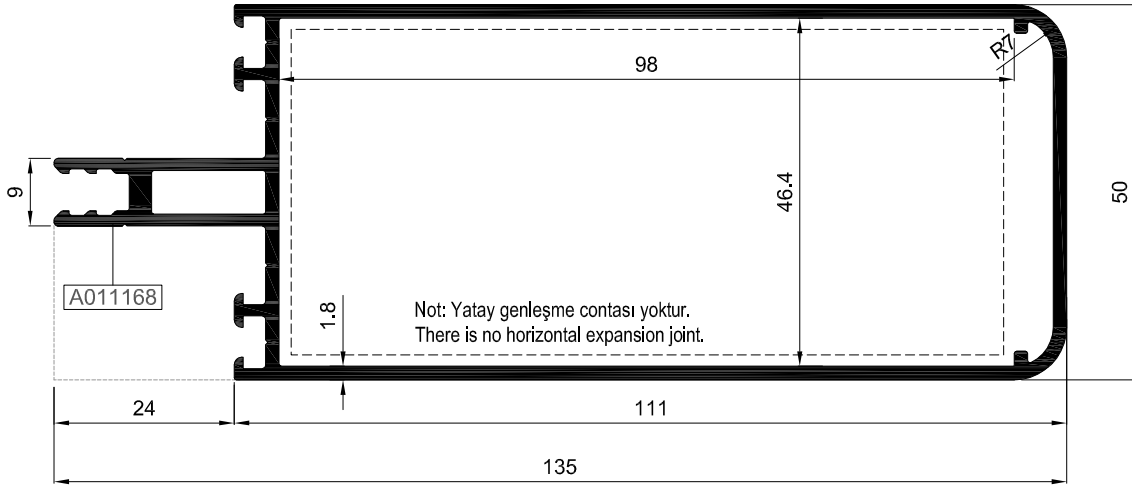
R50 T 15



02

03

R50 T 16



04

05

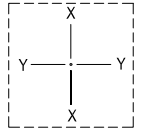
06

| Nr | YATAY BAĞLANTI PROFİLİ / TRANSOM CONNECTION PROFILE | | | | KESİM ÖLÇÜSÜ CUTTING SIZE |
|----------|---|--------------------------------|----------|---------|------------------------------|
| | PROFİL KODU / PROFILE CODE | AKSESUAR KODU / ACCESSORY CODE | | | |
| R50 T 15 | A011167 | R50 C 06 | 05.02.07 | 66,6 mm | |
| R50 T 16 | A011168 | R50 C 06 | 05.02.08 | 97,6 mm | |

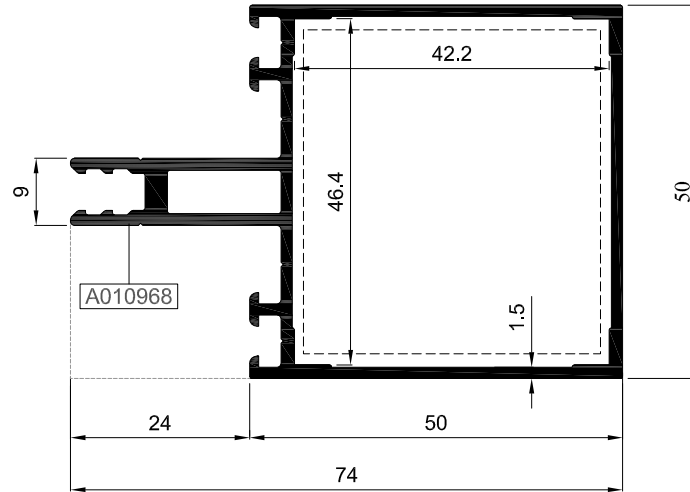
YATAY PROFİLLER
TRANSOM PROFILES

R50

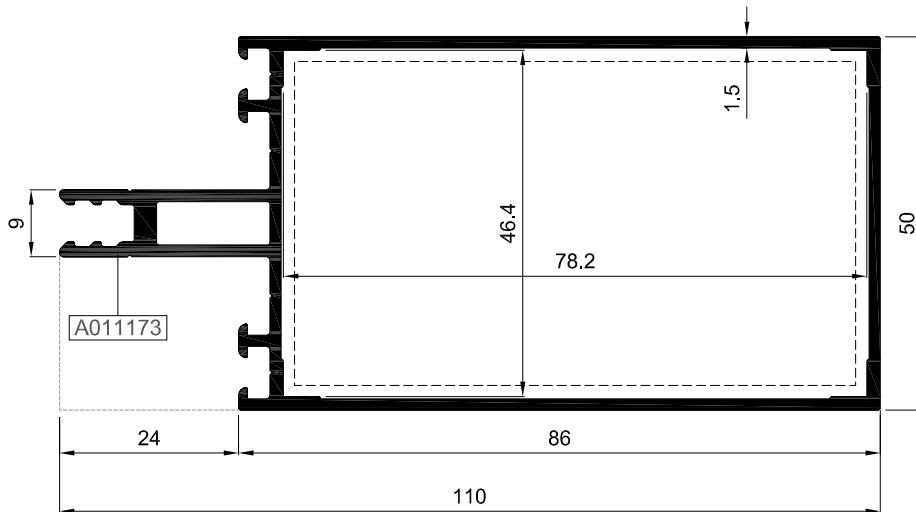
| KOD / CODE | AĞIRLIK (kg/m) / WEIGHT | Jxx cm ⁴ | Jyy cm ⁴ | Wx cm ³ | Wy cm ³ | L m |
|------------|-------------------------|---------------------|---------------------|--------------------|--------------------|-----|
| R50 T 13 | 1,178 | 12,783 | 22,292 | 3,223 | 8,917 | 6 |
| R50 T 18 | 1,470 | 68,386 | 19,134 | 12,401 | 7,654 | 6 |



R50 T 13

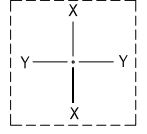


R50 T 18



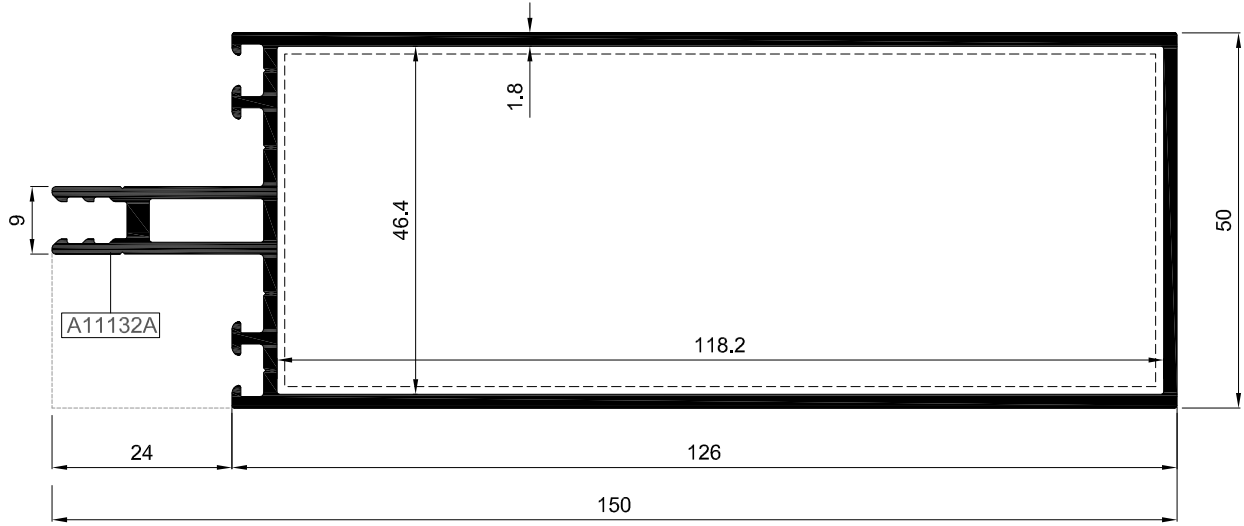
| Nr | YATAY BAĞLANTI PROFİLİ / TRANSOM CONNECTION PROFILE | | | | | KESİM ÖLÇÜSÜ CUTTING SIZE | Nr | YATAY BAĞLANTI PROFİLİ / TRANSOM CONNECTION PROFILE | | | | | KESİM ÖLÇÜSÜ CUTTING SIZE |
|----------|---|----------|--------------------------------|----------|--|------------------------------|----------|---|-----------|--------------------------------|-----------|--|------------------------------|
| | PROFİL KODU / PROFILE CODE | | AKSESUAR KODU / ACCESSORY CODE | | | | | PROFİL KODU / PROFILE CODE | | AKSESUAR KODU / ACCESSORY CODE | | | |
| R50 T 13 | A010968 | R50 C 06 | | 05.02.02 | | 41,9 mm | R50 T 13 | A010968 | (A010756) | | 05.03.02 | | 40,9 mm |
| | | | | | | | | | (A010757) | | 05.03.12 | | 41,9 mm |
| | | | | | | | | | TPV | | 04.23.T02 | | 45,0 mm |
| R50 T 18 | A011173 | R50 C 06 | | 05.02.04 | | 77,8 mm | R50 T 18 | A011173 | (A010756) | | 05.03.04 | | 76,9 mm |
| | | | | | | | | | (A010757) | | 05.03.14 | | 77,8 mm |
| | | | | | | | | | TPV | | 04.23.T04 | | 81,0 mm |

| KOD / CODE | AĞIRLIK (kg/m) / WEIGHT | Jxx cm ⁴ | Jyy cm ⁴ | Wx cm ³ | Wy cm ³ | L m |
|------------|-------------------------|---------------------|---------------------|--------------------|--------------------|-----|
| R50 T 14 | 2,031 | 176,607 | 29,982 | 23,498 | 11,993 | 6 |
| R50 T 24 | 1,551 | 87,042 | 20,898 | 15,011 | 8,359 | 6 |



01

R50 T 14



02

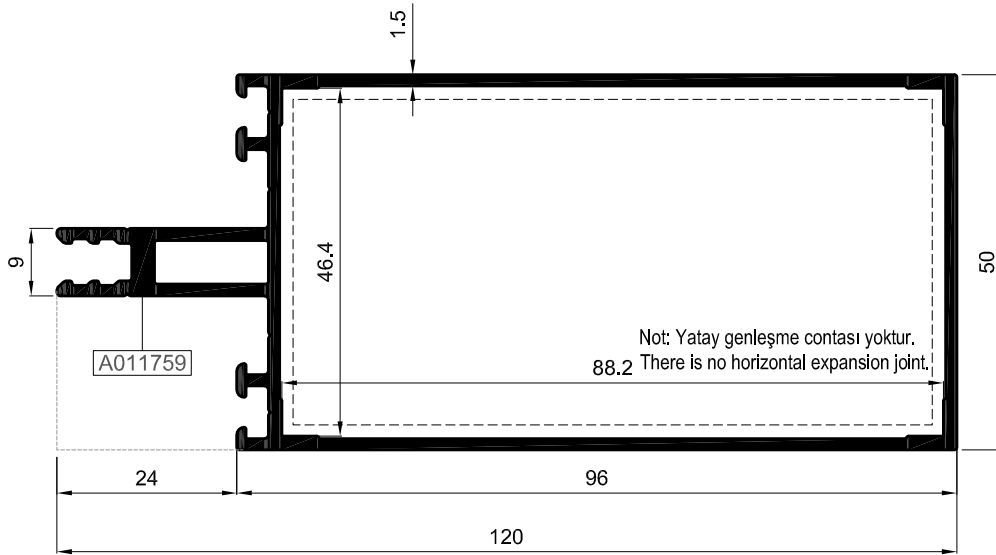
03

04

05

06

R50 T 24

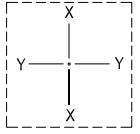


| Nr | YATAY BAĞLANTI PROFİLİ / TRANSOM CONNECTION PROFILE | | | | KEŞİM ÖLÇÜSÜ CUTTING SIZE |
|----------|---|----------|--------------------------------|----------|------------------------------|
| | PROFİL KODU / PROFILE CODE | | AKSESUAR KODU / ACCESSORY CODE | | |
| R50 T 14 | A011132 | R50 C 06 | 05.02.10 | 117,7 mm | |
| R50 T 24 | A011759 | R50 C 06 | 05.02.15 | 87,7 mm | |

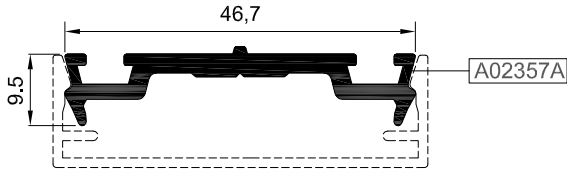
BASKI KAPAK PROFİLLERİ
CAP PROFILES

R50

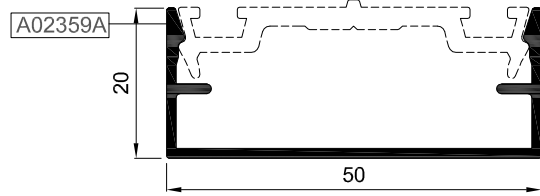
| KOD / CODE | AĞIRLIK (kg/m) / WEIGHT | L m | KOD / CODE | AĞIRLIK (kg/m) / WEIGHT | L m |
|------------|-------------------------|-----|------------|-------------------------|-----|
| R50 P 01 | 0,428 | 6 | R50 P 20 | 0,248 | 6 |
| R50 P 02 | 0,335 | 6 | R50 P 27 | 0,707 | 6 |
| R50 P 03 | 0,360 | 6 | R50 P 29 | 0,424 | 6 |
| R50 P 15 | 0,323 | 6 | R50 P 19 | 0,419 | 6 |
| R50 P 16 | 0,268 | 6 | | | |



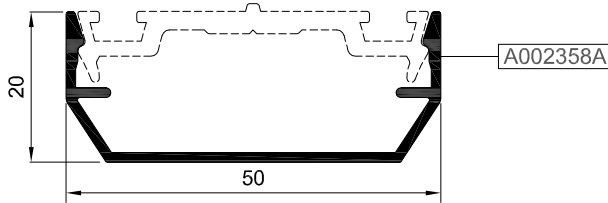
R50 P 01



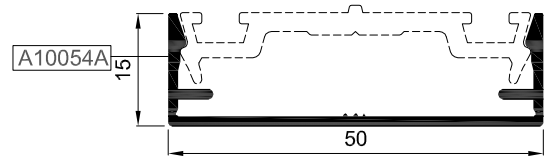
R50 P 03



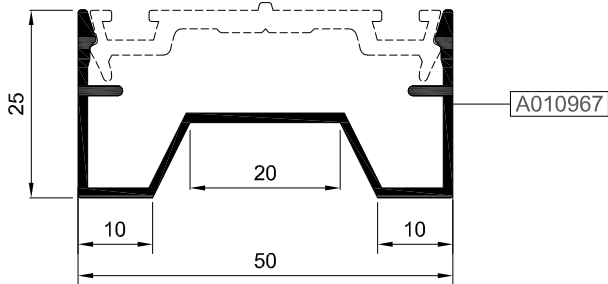
R50 P 02



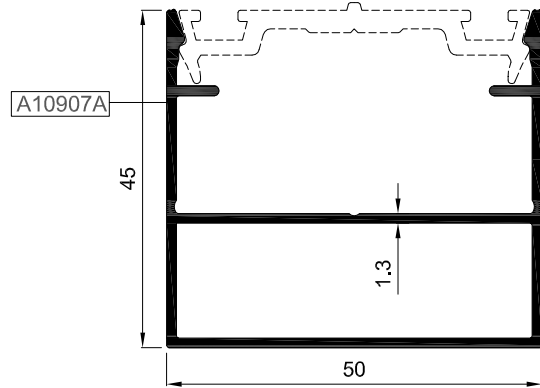
R50 P 15



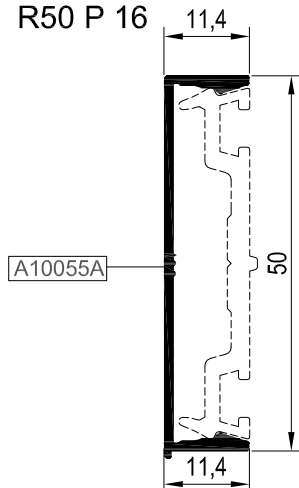
R50 P 29



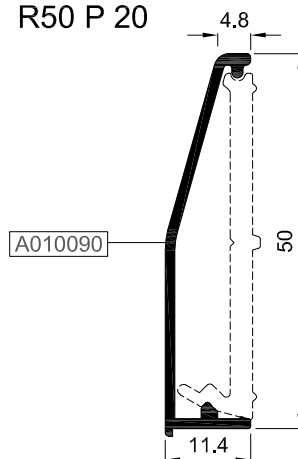
R50 P 27



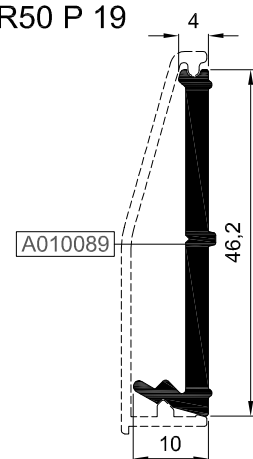
R50 P 16



R50 P 20



R50 P 19



01

02

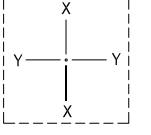
03

04

05

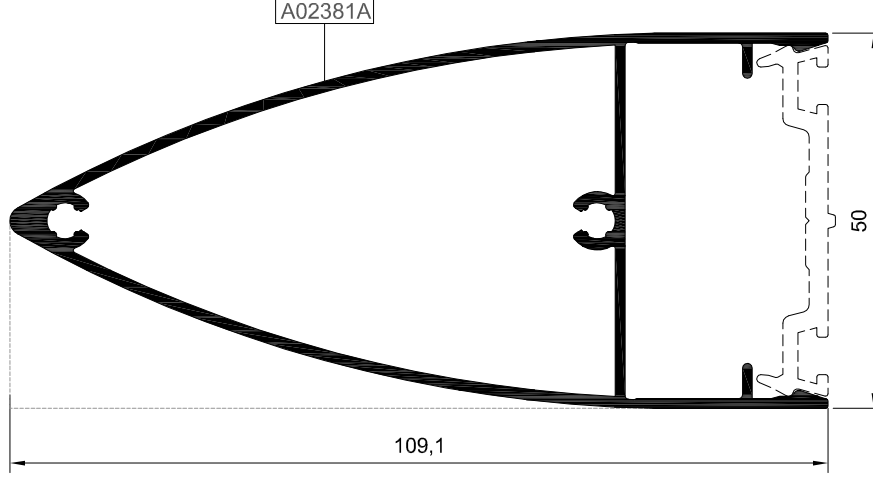
06

| KOD / CODE | AĞIRLIK (kg/m) / WEIGHT | L m |
|------------|-------------------------|-----|
| R50 P 06 | 1,179 | 6 |
| R50 P 32 | 0,850 | 6 |
| R50 P 38 | 1,365 | 6 |



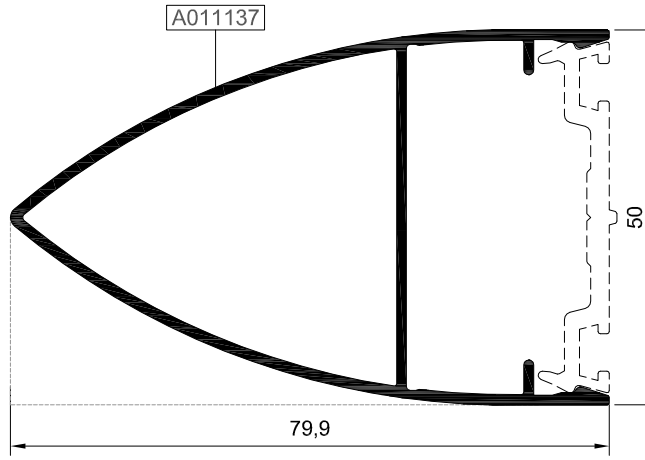
01

R50 P 06



02

R50 P 32



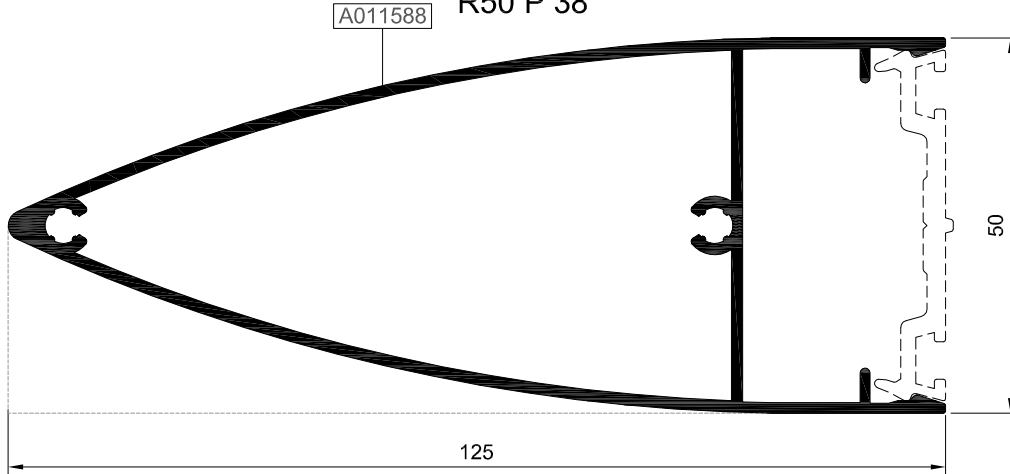
03

04

05

06

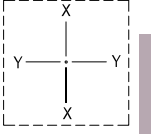
R50 P 38



BASKI KAPAK PROFİLLERİ
CAP PROFILES

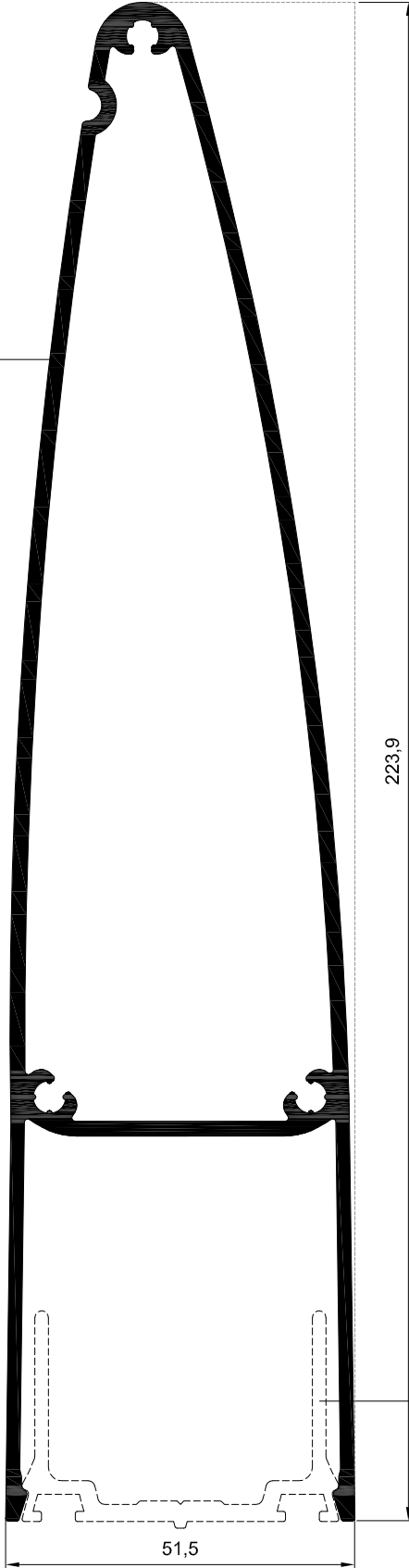
R50

| KOD / CODE | AĞIRLIK (kg/m) / WEIGHT | L m |
|------------|-------------------------|-----|
| R50 P 34 | 0,686 | 6 |
| R50 P 25 | 3,125 | 6 |

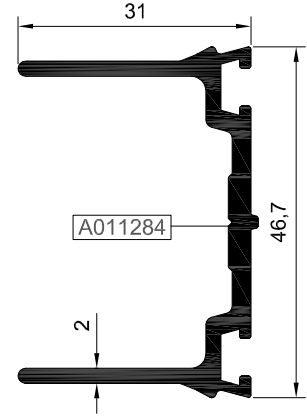


R50 P 25

A004827A



R50 P 34



R50 P 34

01

02

03

04

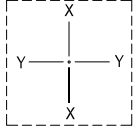
05

06

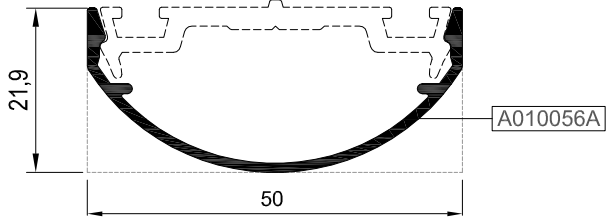
BASKI KAPAK PROFİLLERİ
CAP PROFILES

R50

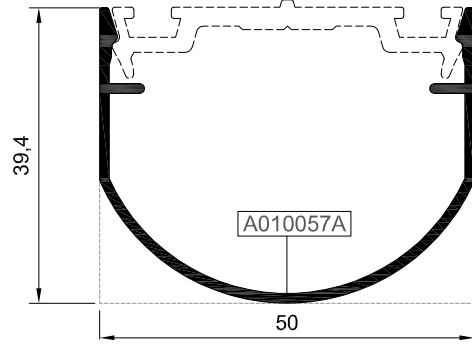
| KOD / CODE | AĞIRLIK (kg/m) / WEIGHT | L m | KOD / CODE | AĞIRLIK (kg/m) / WEIGHT | L m |
|------------|-------------------------|-----|------------|-------------------------|-----|
| R50 P 31 | 1,212 | 6 | R50 P 11 | 0,526 | 6 |
| R50 P 17 | 0,286 | 6 | R50 P 12 | 0,704 | 6 |
| R50 P 18 | 0,428 | 6 | | | |



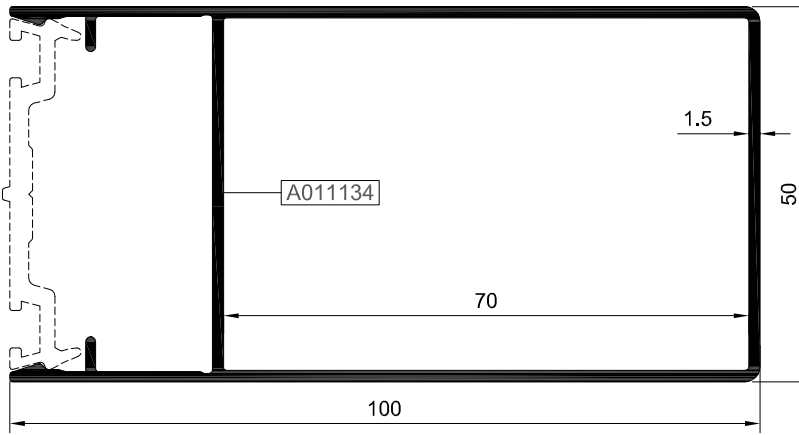
R50 P 17



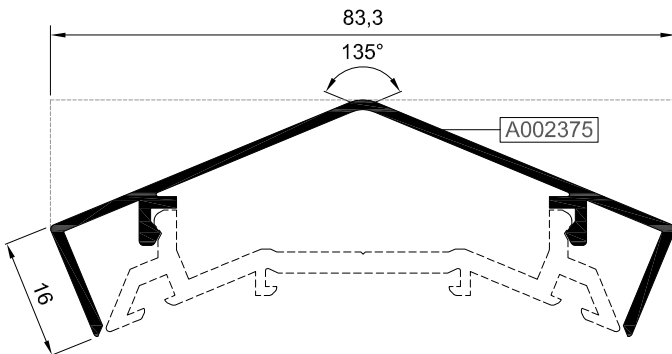
R50 P 18



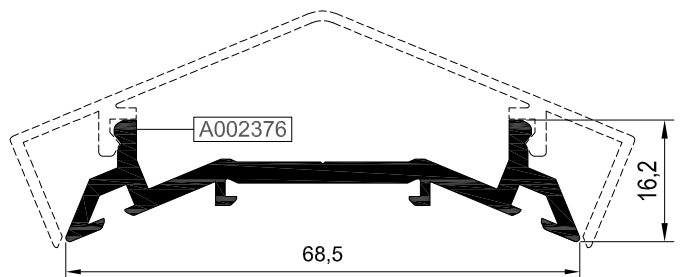
R50 P 31



R50 P 11



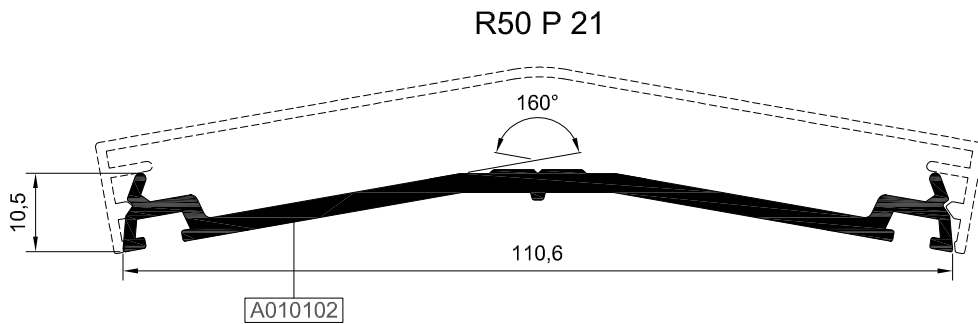
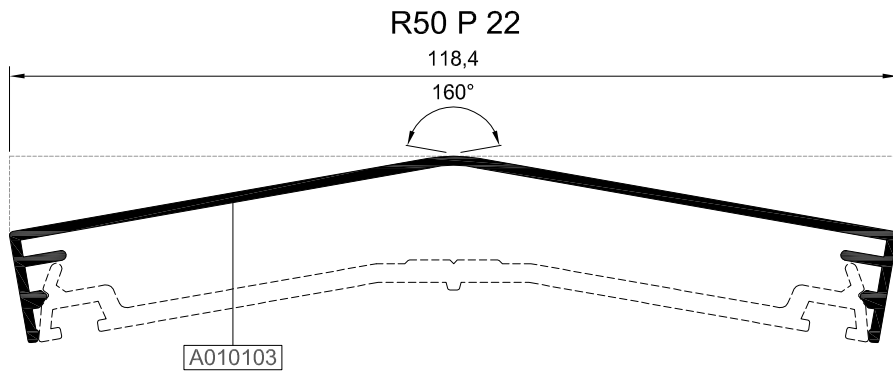
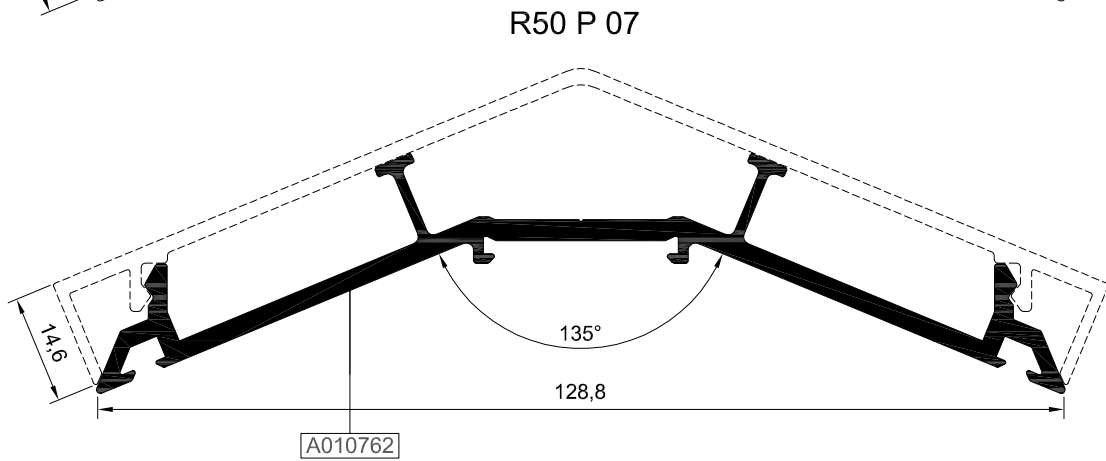
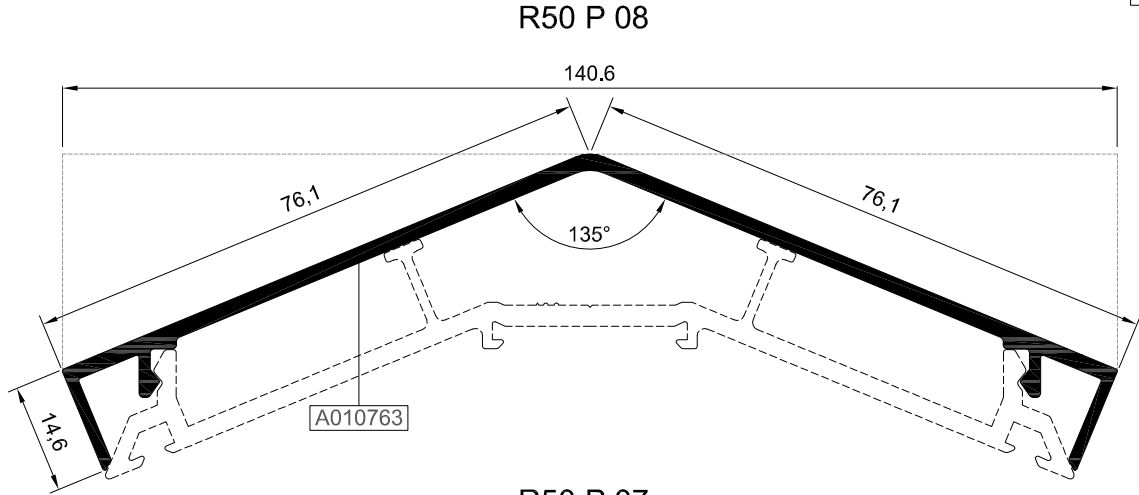
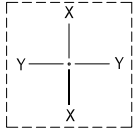
R50 P 12



BASKI KAPAK PROFİLLERİ
CAP PROFILES

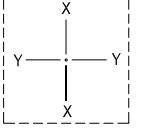
R50

| KOD / CODE | AĞIRLIK (kg/m) / WEIGHT | L m | KOD / CODE | AĞIRLIK (kg/m) / WEIGHT | L m |
|------------|-------------------------|-----|------------|-------------------------|-----|
| R50 P 08 | 0,994 | 6 | R50 P 21 | 0,872 | 6 |
| R50 P 07 | 1,270 | 6 | | | |
| R50 P 22 | 0,580 | 6 | | | |



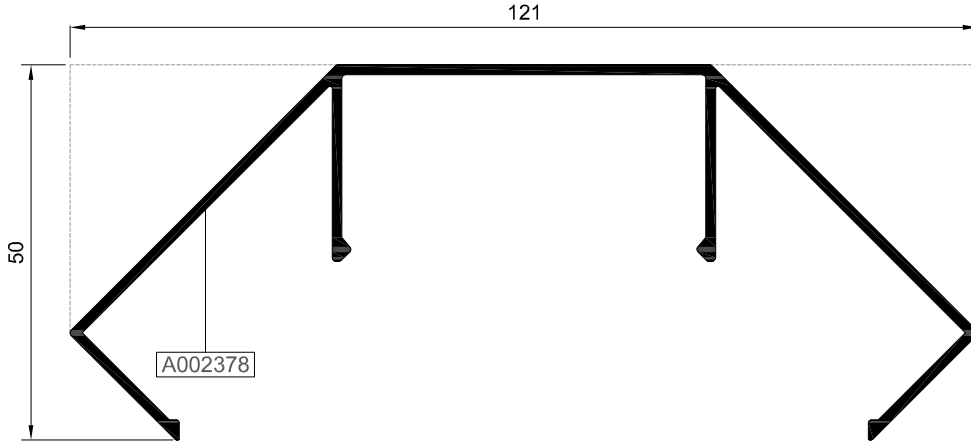
- 01
- 02
- 03
- 04
- 05
- 06

| KOD / CODE | AĞIRLIK (kg/m) / WEIGHT | L m |
|------------|-------------------------|-----|
| R50 P 13 | 0,848 | 6 |
| R50 P 14 | 0,944 | 6 |
| R50 A 02 | 0,803 | 6 |



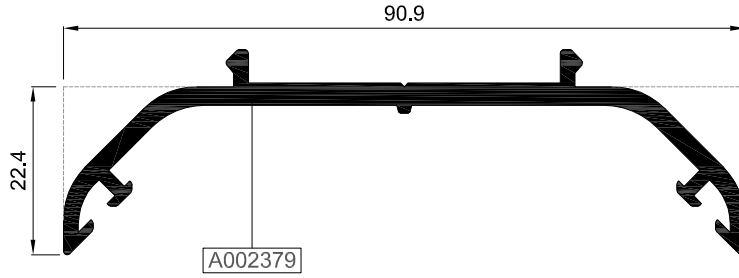
01

R50 P 13



02

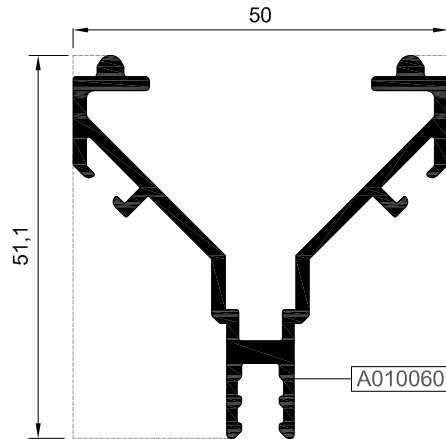
R50 P 14



03

04

R50 A 02



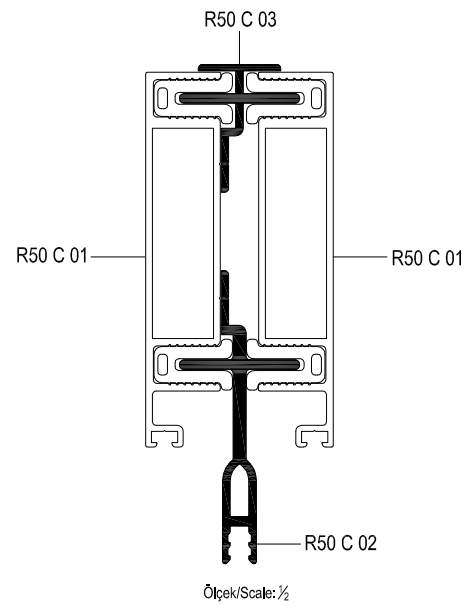
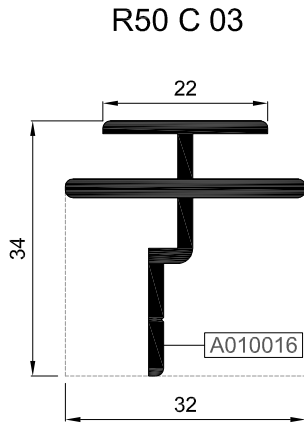
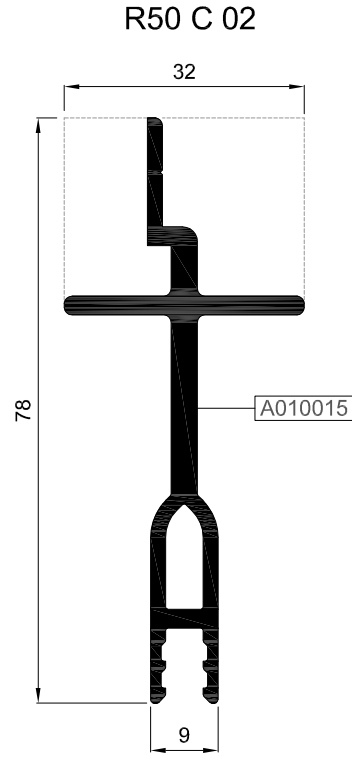
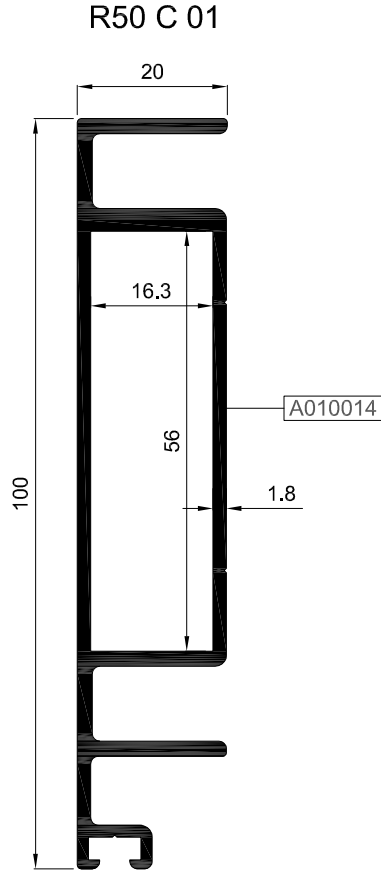
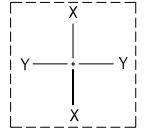
05

06

DİLATASYON PROFİLLERİ
DILATATION PROFILES

R50

| KOD / CODE | AĞIRLIK (kg/m) / WEIGHT | Jxx cm ⁴ | Jyy cm ⁴ | Wx cm ³ | Wy cm ³ | L m |
|------------|-------------------------|---------------------|---------------------|--------------------|--------------------|-----|
| R50 C 01 | 1,268 | 44,462 | 2,714 | | | 6 |
| R50 C 02 | 0,960 | 14,529 | 0,849 | | | 6 |
| R50 C 03 | 0,495 | 1,299 | 0,852 | | | 6 |



01

02

03

04

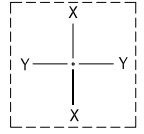
05

06

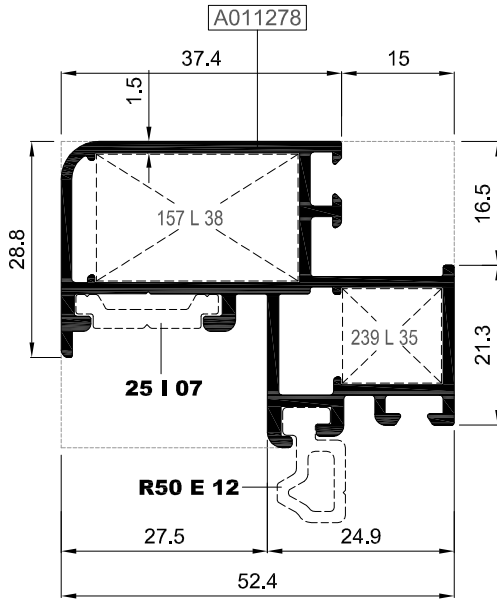
KASET PROFİLLERİ
VENT PROFILES

R50

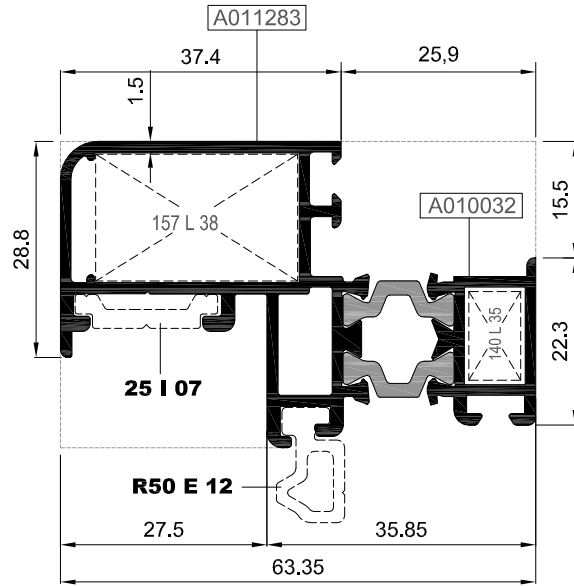
| KOD / CODE | AĞIRLIK (kg/m) / WEIGHT | Jxx cm ⁴ | Jyy cm ⁴ | Wx cm ³ | Wy cm ³ | L m |
|------------|-------------------------|---------------------|---------------------|--------------------|--------------------|-----|
| R50 V 26 | 0,927 | 8,680 | 4,852 | | | 6 |
| AR50V27 | 1,223 | 10,872 | 5,245 | | | 6 |
| AR50V32 | 0,937 | 8,182 | 1,419 | | | 6 |



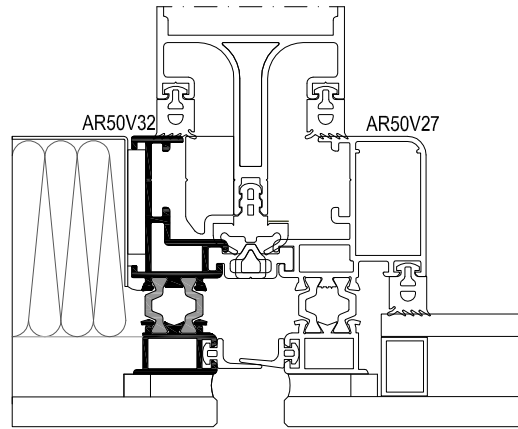
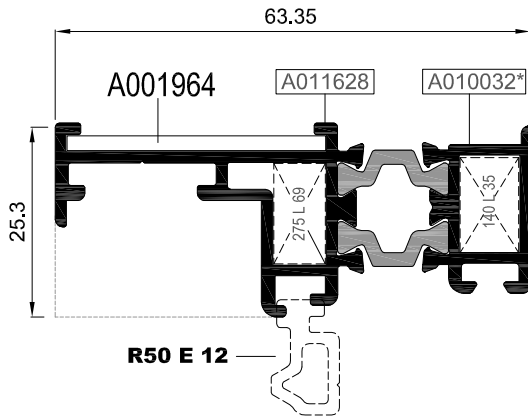
R50 V 26*



AR50V27*



AR50V32*
(R50 V 27 ile)



Ölçek/Scale: 1/2

*R50 V 26-AR50V27- AR50V32 KODLU PROFİLLER BONDING İŞLEMİNE UYGUN ÖZEL ELOKSALLI SİPARİŞ EDİLMELİDİR.
THE PROFILES R50 V 26-AR50V27-AR50V32 MUST BE ORDERED WITH SPECIAL ANODIZED SUITABLE FOR BONDING PROCESS.

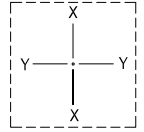
| Nr | | KESİM ÖLÇÜSÜ CUTTING SIZE | AKS. KODU ACS. CODE |
|----------|---------|------------------------------|------------------------|
| R50 V 26 | A011278 | 25 L 38 (A002074) | 157 L 38 |
| | | 25 L 35 (A010076) | 239 L 35 |
| AR50V27 | A011283 | 25 L 38 (A002074) | 157 L 38 |
| | A010032 | 25 L 35 (A010076) | 140 L 35 |

| Nr | | KESİM ÖLÇÜSÜ CUTTING SIZE | AKS. KODU ACS. CODE |
|---------|---------|------------------------------|------------------------|
| AR50V32 | A011628 | 25 L 69 (A011097) | 275 L 69 |
| | A010032 | 25 L 35 (A010076) | 140 L 35 |

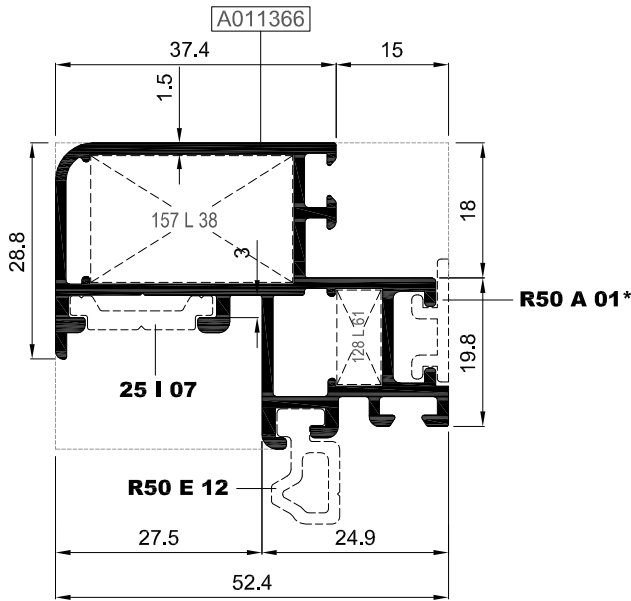
KASET PROFİLLERİ
VENT PROFILES

R50

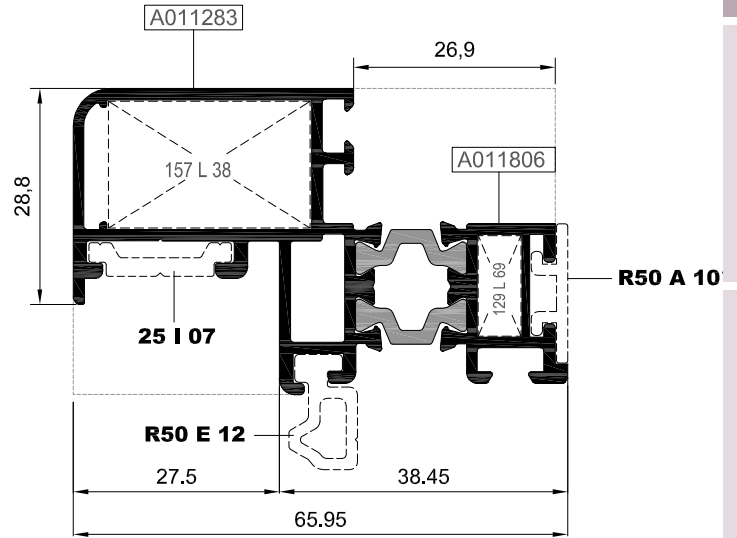
| KOD / CODE | AĞIRLIK (kg/m) / WEIGHT | Jxx cm ⁴ | Jyy cm ⁴ | Wx cm ³ | Wy cm ³ | L m |
|------------|-------------------------|---------------------|---------------------|--------------------|--------------------|-----|
| R50 V 28 | 0,940 | 8,277 | 4,915 | | | 6 |
| AR50V34 | 1,259 | 12,314 | 5,932 | | | 6 |
| AR50V35 | 0,985 | 5,870 | 1,065 | | | 6 |



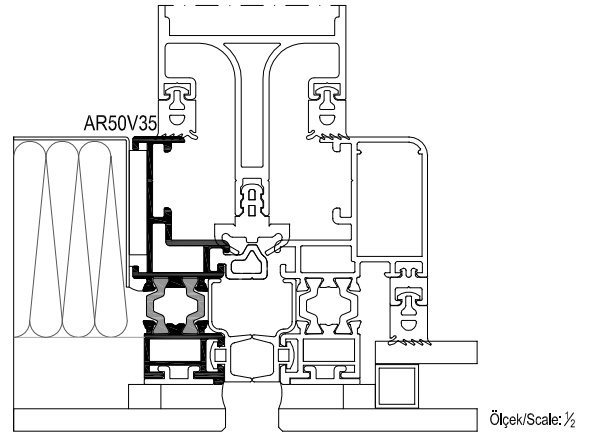
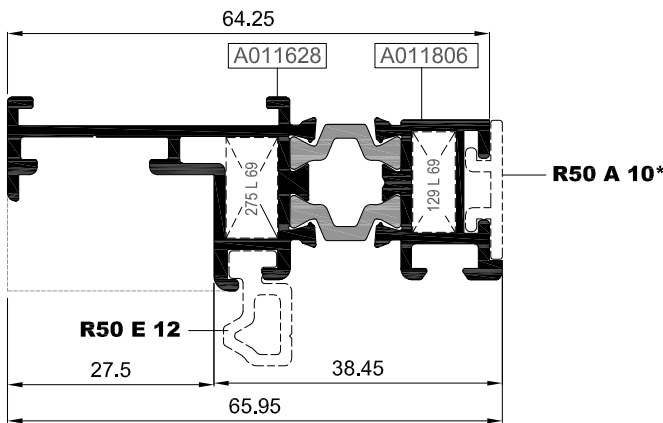
R50 V 28




AR50V34




AR50V35



*R50 A 01-R50 A 10 KODLU PROFİLLER BONDING İŞLEMİNE UYGUN ÖZEL ELOKSALLI SİPARİŞ EDİLMELİDİR.
THE PROFILES R50 A 01-R50 A 10 MUST BE ORDERED WITH SPECIAL ANODIZED SUITABLE FOR BONDING PROCESS.

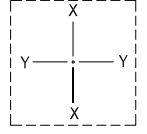
| Nr | |  L m | KESİM ÖLÇÜSÜ CUTTING SIZE | AKS. KODU ACS. CODE |
|----------|---------|---|------------------------------|------------------------|
| R50 V 28 | A011366 | 25 L 38 (A002074) | 27,0 mm | 157 L 38 |
| | | 25 L 61 (A001034) | 5,9 mm | 128 L 61 |
| AR50V34 | A011283 | 25 L 38 (A002074) | 27,0 mm | 157 L 38 |
| | A011806 | 25 L 69 (A011097) | 5,7 mm | 129 L 69 |

| Nr | |  L m | KESİM ÖLÇÜSÜ CUTTING SIZE | AKS. KODU ACS. CODE |
|---------|---------|--|------------------------------|------------------------|
| AR50V35 | A011628 | 25 L 69 (A011097) | 6,8 mm | 275 L 69 |
| | A011806 | 25 L 69 (A011097) | 5,7 mm | 129 L 69 |

KASET VE TESPİT PROFİLLERİ VENT & CONNECTION PROFILES

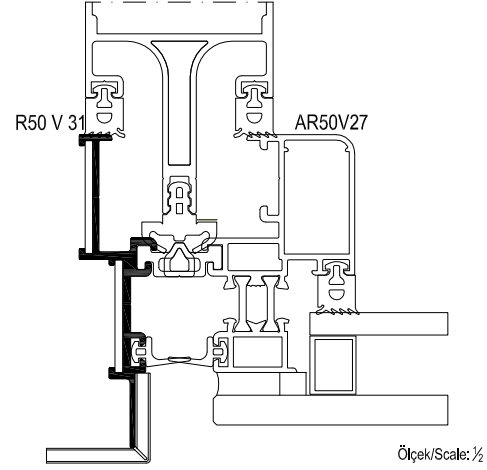
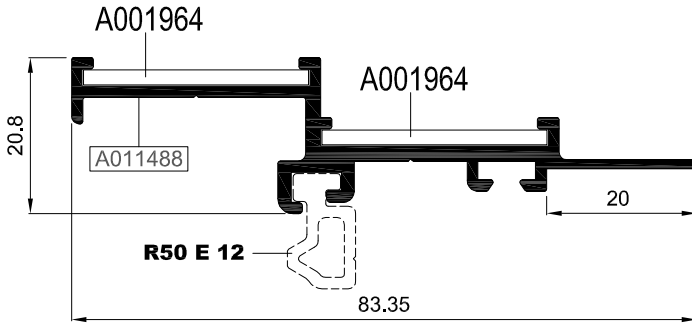
R50

| KOD / CODE | AĞIRLIK (kg/m) / WEIGHT | Jxx cm ⁴ | Jyy cm ⁴ | Wx cm ³ | Wy cm ³ | L m |
|------------|-------------------------|---------------------|---------------------|--------------------|--------------------|-----|
| R50 V 31 | 0,641 | 10,176 | 0,584 | | | 6 |
| R50 E 12 | 0,189 | - | - | | | 6 |



01

R50 V 31 (R50 V 27 ile)

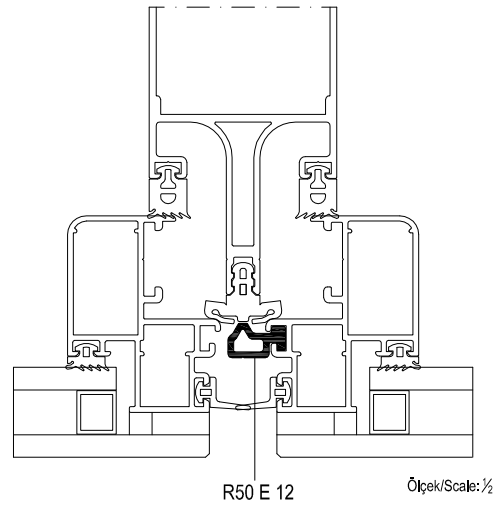
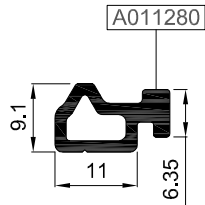


02

03

04


R50 E 12*



05

06

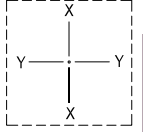
*R50 E 12 MAX. 20 CM.'DE BİR 5 CMLİK PARÇALAR HALİNDE KULLANILMALIDIR.
THE PROFILE R50 E 12 SHOULD BE USED 5 CM LENGHT IN EVERY 20 CM DISTANCE

| Nr |  L m | KESİM ÖLÇÜSÜ CUTTING SIZE | AKS. KODU ACS. CODE | |
|----------|---|------------------------------|------------------------|-----|
| R50 V 31 | A011488 | A001964 (40x40x2 L) | 30,0 mm | --- |
| | | A001964 (40x40x2 L) | 30,0 mm | --- |

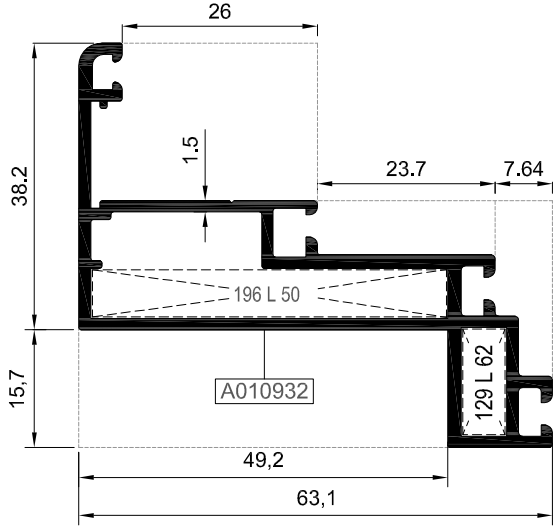
KAPAKLI CEPHE KASA PROFİLLERİ
FRAME PROFILES FOR CURTAIN WALL WITH CAP

R50

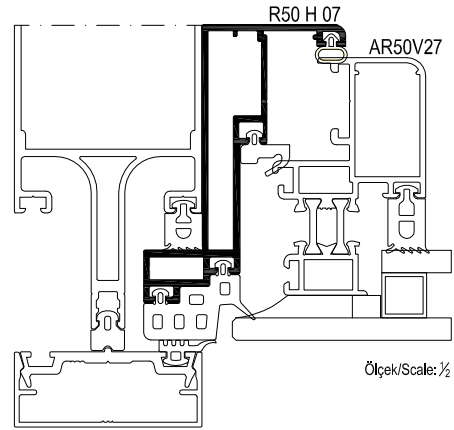
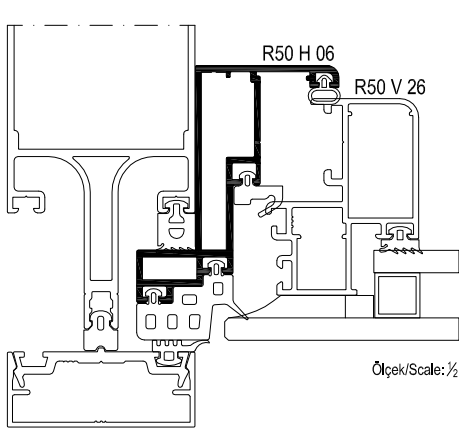
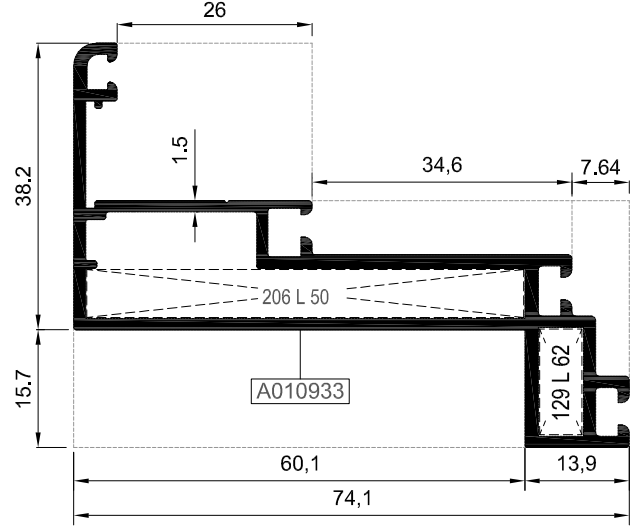
| KOD / CODE | AĞIRLIK (kg/m) / WEIGHT | Jxx cm ⁴ | Jyy cm ⁴ | Wx cm ³ | Wy cm ³ | L m |
|------------|-------------------------|---------------------|---------------------|--------------------|--------------------|-----|
| R50 H 06 | 1,012 | 17,114 | 5,870 | | | 6 |
| R50 H 07 | 1,110 | 26,073 | 5,939 | | | 6 |





R50 H 06



R50 H 07

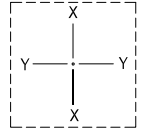


| Nr | |  L m | KESİM ÖLÇÜSÜ CUTTING SIZE |  AKS. KODU ACS. CODE |
|----------|---------|---|------------------------------|--|
| R50 H 06 | A010932 | 25 L 50 (A010838) | 47,2 mm | 196 L 50 |
| | | 25 L 62 (A002442) | 5,7 mm | 129 L 62 |
| R50 H 07 | A010933 | 25 L 50 (A010838) | 58,2 mm | 206 L 50 |
| | | 25 L 62 (A002442) | 5,7 mm | 129 L 62 |

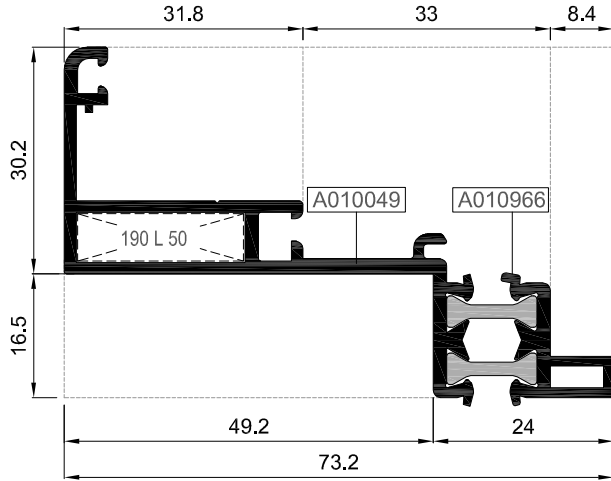
YARI KAPAKLI CEPHE KASA PROFİLLERİ FRAME PROFILES FOR TWO SIDE CURTAIN WALL

R50

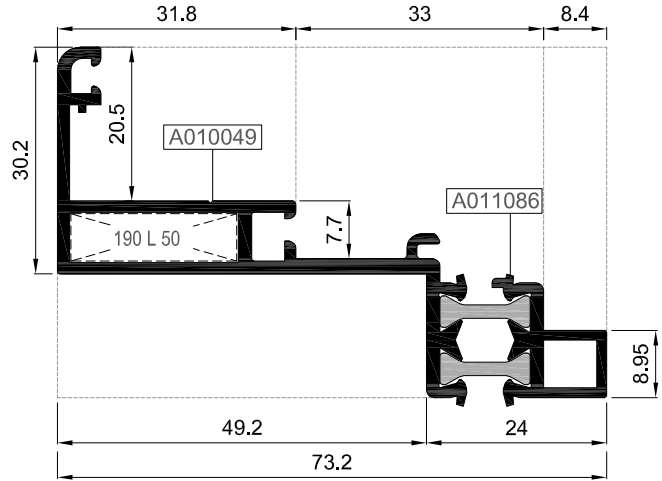
| KOD / CODE | AĞIRLIK (kg/m) / WEIGHT | Jxx cm ⁴ | Jyy cm ⁴ | Wx cm ³ | Wy cm ³ | L m |
|------------|-------------------------|---------------------|---------------------|--------------------|--------------------|-----|
| AR50H09 | 1,024 | 14,837 | 4,391 | | | 6 |
| AR50H11 | 1,036 | 15,343 | 4,371 | | | 6 |
| AR50H15 | 1,008 | 14,374 | 4,065 | | | 6 |



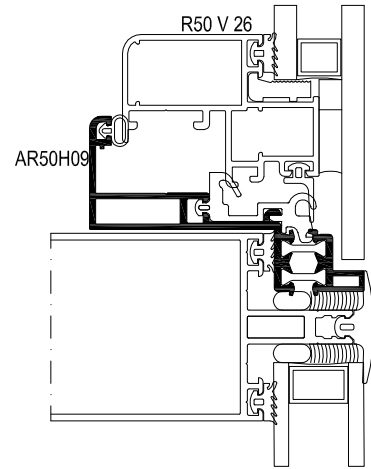
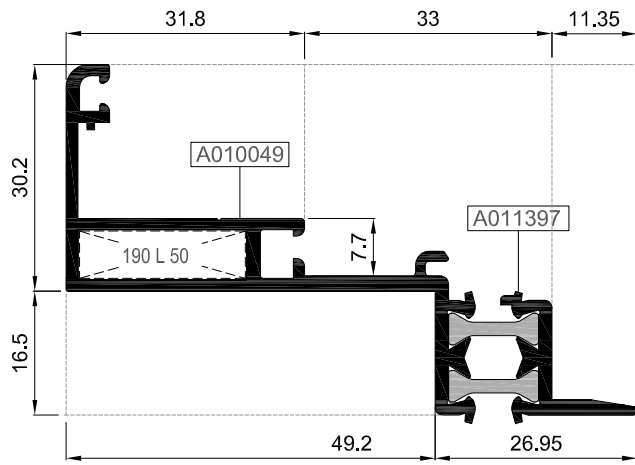
AR50H09



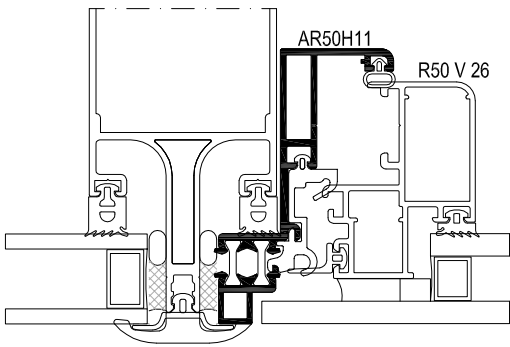
AR50H11



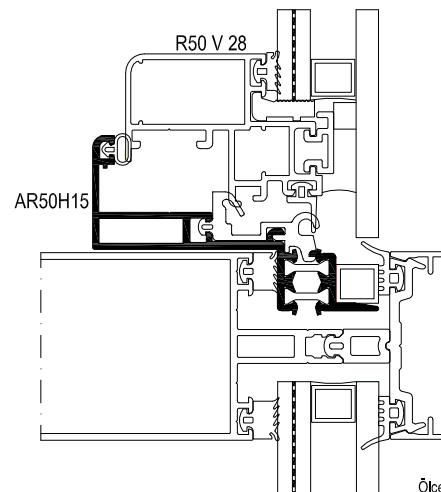
AR50H15




Ölçek/Scale: 1/2



Ölçek/Scale: 1/2



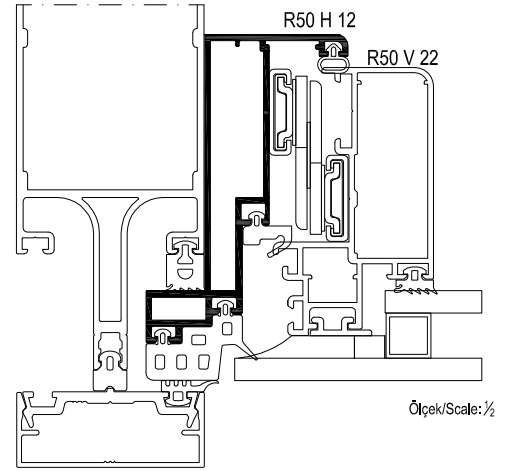
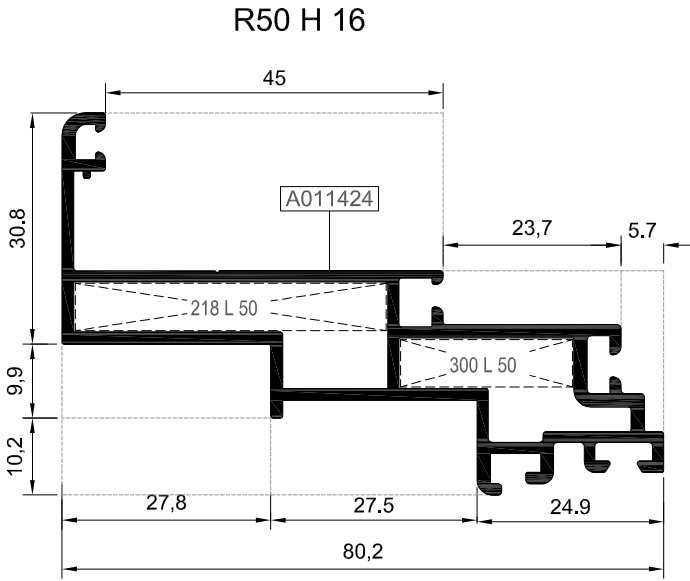
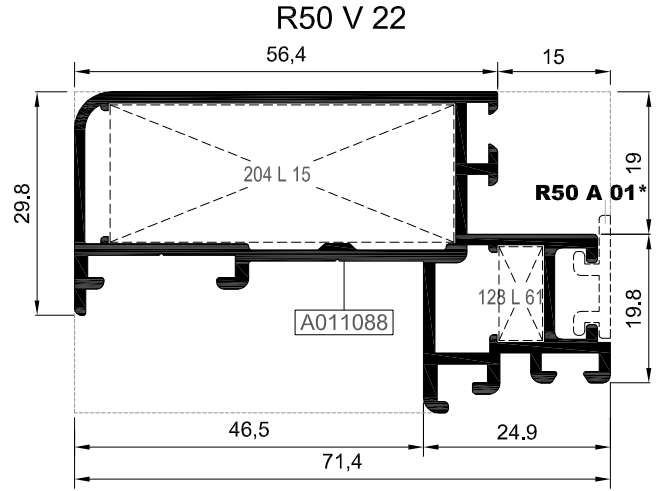
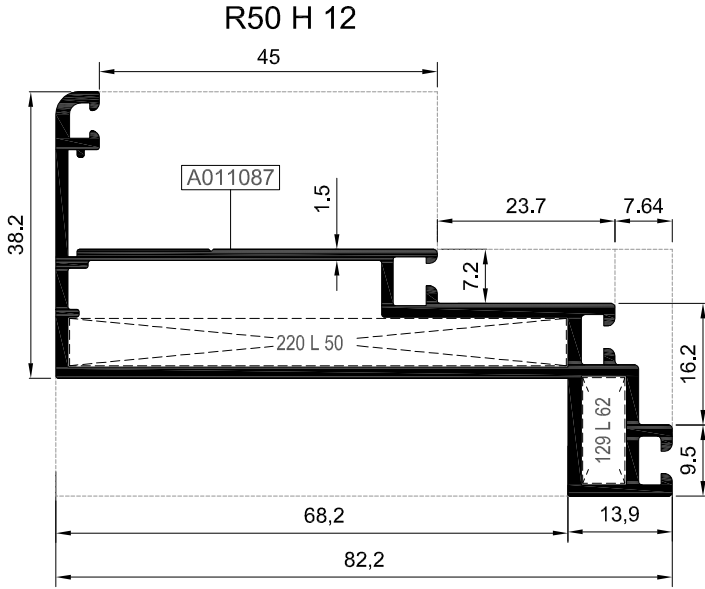
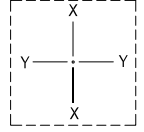
Ölçek/Scale: 1/2

| Nr |  L m | KESİM ÖLÇÜSÜ CUTTING SIZE | AKS. KODU ACS. CODE |
|---------|---|------------------------------|------------------------|
| AR50H09 | A010049 25 L 50 (A010838) | 22,2 mm | 190 L 50 |
| AR50H11 | A010049 25 L 50 (A010838) | 22,2 mm | 190 L 50 |
| AR50H15 | A010049 25 L 50 (A010838) | 22,2 mm | 190 L 50 |

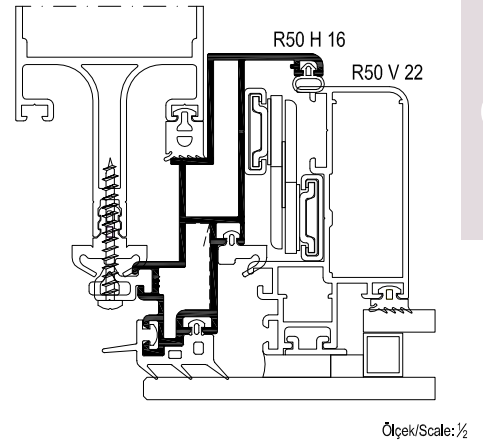
PARALEL AÇILIM KASA-KANAT PROFİLLERİ
FRAME & VENT PROFILES FOR PARALLEL OPENNING

R50

| KOD / CODE | AĞIRLIK (kg/m) / WEIGHT | Jxx cm ⁴ | Jyy cm ⁴ | Wx cm ³ | Wy cm ³ | L m |
|------------|-------------------------|---------------------|---------------------|--------------------|--------------------|-----|
| R50 H 12 | 1,165 | 33,975 | 6,243 | | | 6 |
| R50 H 16 | 1,196 | 28,947 | 5,449 | | | 6 |
| R50 V 22 | 1,112 | 19,984 | 6,374 | | | 6 |



*R50 A 01 KODLU PROFİLLER BONDING İŞLEMİNE UYGUN ÖZEL ELOKSALLI SİPARİŞ EDİLMELİDİR.
THE PROFILE R50 A 01 MUST BE ORDERED WITH SPECIAL ANODIZED SUITABLE FOR BONDING PROCESS.

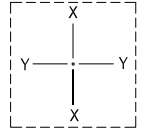


| Nr | | L m | KESİM ÖLÇÜSÜ CUTTING SIZE | AKS. KODU ACS. CODE |
|----------|---------|-------------------|------------------------------|------------------------|
| R50 H 12 | A011087 | 25 L 50 (A010838) | 66,2 mm | 220 L 50 |
| | | 25 L 62 (A002442) | 5,7 mm | 129 L 62 |
| R50 H 16 | A011424 | 25 L 50 (A010838) | 41,5 mm | 218 L 50 |
| | | 25 L 50 (A010838) | 22,9 mm | 300 L 50 |
| R50 V 22 | A011088 | 25 L 15 (A002060) | 45,9 mm | 204 L 15 |
| | | 25 L 61 (A001034) | 5,9 mm | 128 L 61 |

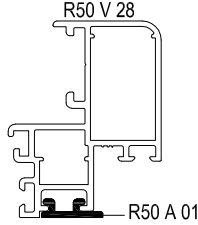
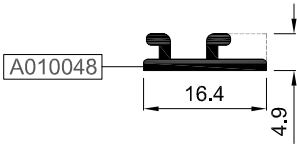
CAM YAPIŞTIRMA, TİJ, TAKOZ VE BAĞLANTI PROFİLLERİ
SLIDING ROD, GLASS SUPPORT AND CONNECTION PROFILES

R50

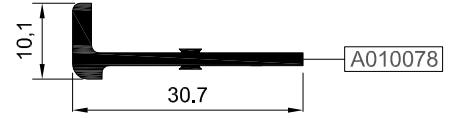
| KOD / CODE | AĞIRLIK (kg/m) / WEIGHT | L m | KOD / CODE | AĞIRLIK (kg/m) / WEIGHT | L m |
|------------|-------------------------|-----|------------|-------------------------|-----|
| R50 A 01 | 0,105 | 6 | R50 S 01 | 0,207 | 6 |
| R50 A 09 | 0,160 | 6 | E50 S 02 | 0,252 | 6 |
| R50 A 10 | 0,116 | 6 | E50 S 04 | 0,470 | 6 |
| 25 I 04 | 0,153 | 6 | E50 S 05 | 0,568 | 6 |
| 25 I 07 | 0,143 | 6 | E50 S 06 | 0,525 | 6 |
| | | | AR50B02 | 0,824 | 6 |



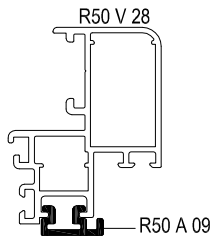
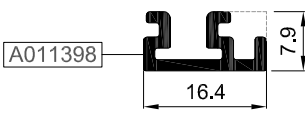
R50 A 01*



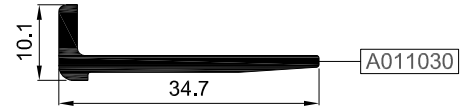
R50 S 01



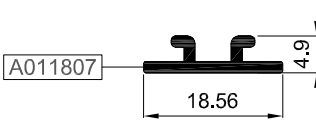
R50 A 09*



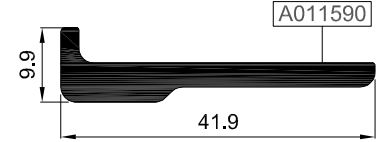
E50 S 02



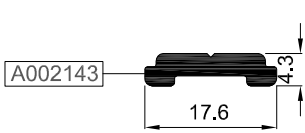
R50 A 10*



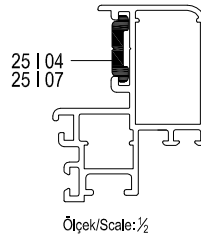
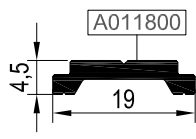
E50 S 04



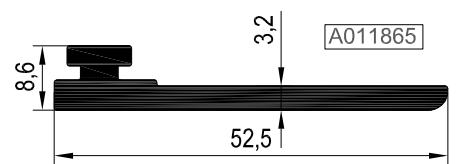
25 I 04



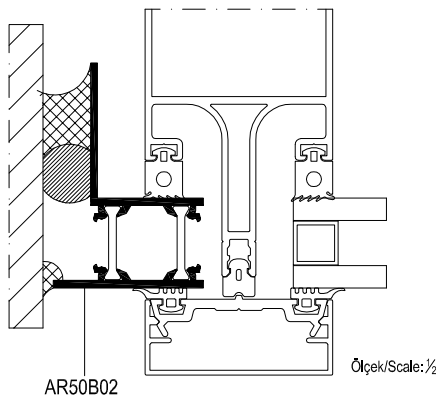
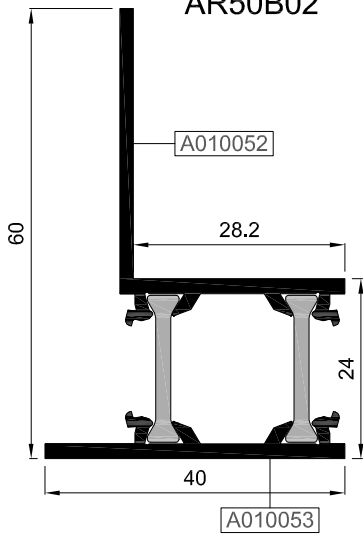
25 I 07**



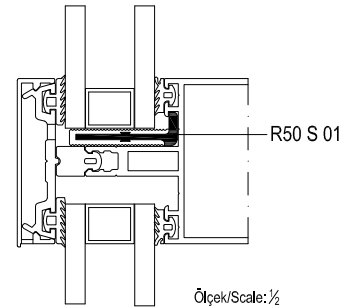
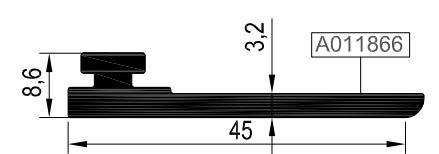
E50 S 05



AR50B02



E50 S 06



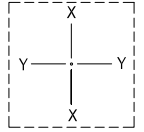
*R50 A 01-R50 A 09-R50 A 10 KODLU PROFİLLER BONDING İŞLEMİNE UYGUN ÖZEL ELOKSALLI SİPARİŞ EDİLMELİDİR.
THE PROFILES R50 A 01-R50 A 09-R50 A 10 MUST BE ORDERED WITH SPECIAL ANODIZED SUITABLE FOR BONDING PROCESS.

**GLESSE KOL VE KİLİTLEME AKSESUARLARI SADECE 25 I 07 TİJ PROFİLİ İLE KULLANILMALIDIR.
GLASSE HANDLE AND LOCKING ACCESSORIES SHOULD BE USED WITH ONLY 25 I 07 ROD PROFILE

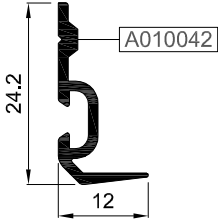
CAM TAŞIMA VE TIRNAK PROFİLLERİ GLASS SUPPORT PROFILES

R50

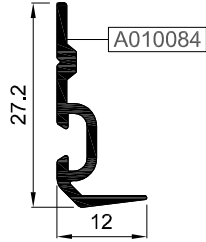
| KOD / CODE | AĞIRLIK (kg/m) / WEIGHT | L m | KOD / CODE | AĞIRLIK (kg/m) / WEIGHT | L m |
|------------|-------------------------|-----|------------|-------------------------|-----|
| R50 R 01 | 0,158 | 6 | R50 R 05 | 0,166 | 6 |
| R50 R 02 | 0,169 | 6 | R50 R 06 | 0,154 | 6 |
| R50 R 03 | 0,111 | 6 | R50 R 11 | 0,107 | 6 |
| R50 R 04 | 0,181 | 6 | R50 R 15 | 0,144 | 6 |



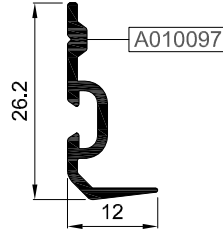
R50 R 01



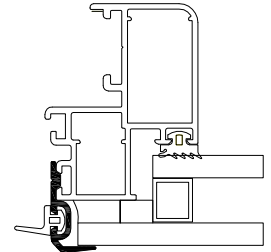
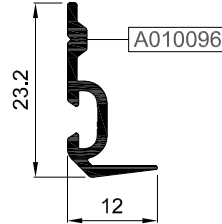
R50 R 02



R50 R 05



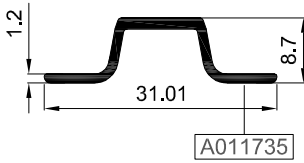
R50 R 06



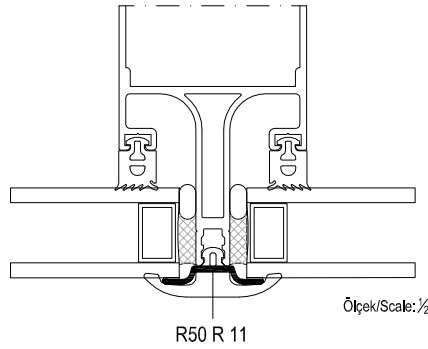
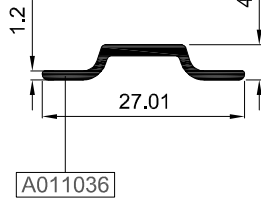
R50 R 01
R50 R 02
R50 R 05
R50 R 06

Ölçek/Scale: ½

R50 R 15



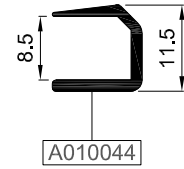
R50 R 11



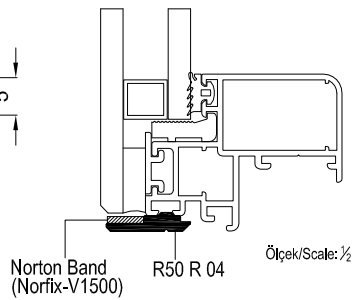
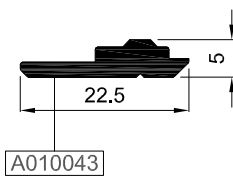
R50 R 11

Ölçek/Scale: ½

R50 R 03



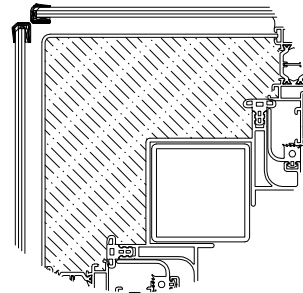
R50 R 04



Norton Band
(Norfix-V1500)

R50 R 04

Ölçek/Scale: ½



01

02

03

04

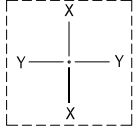
05

06

TEK CAM ÇITA PROFİLLERİ
GLAZING BEAD PROFILES FOR SINGLE GLASS

R50

| KOD / CODE | AĞIRLIK (kg/m) / WEIGHT | L m | KOD / CODE | AĞIRLIK (kg/m) / WEIGHT | L m |
|------------|-------------------------|-----|------------|-------------------------|-----|
| R50 G 01 | 0,219 | 6 | R50 G 05 | 0,340 | 6 |
| R50 G 02 | 0,249 | 6 | R50 G 06 | 0,136 | 6 |
| R50 G 03 | 0,280 | 6 | R50 C 20 | 0,166 | 6 |
| R50 G 04 | 0,310 | 6 | R50 C 08 | 0,187 | 6 |



01

02

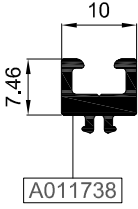
03

04

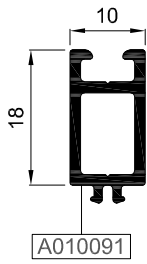
05

06

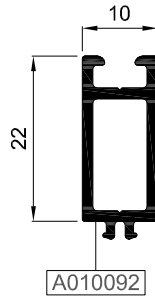
R50 G 06



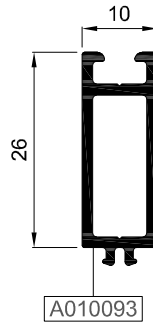
R50 G 01



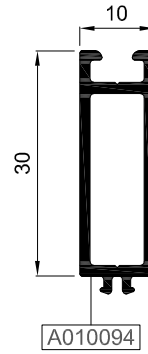
R50 G 02



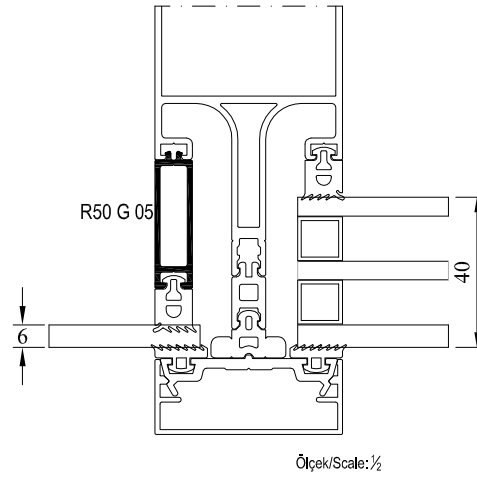
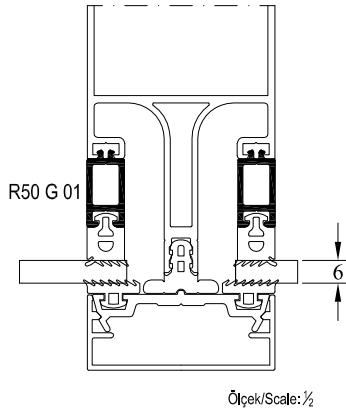
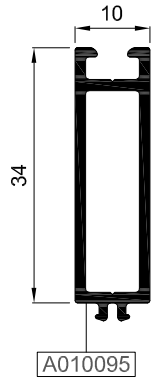
R50 G 03



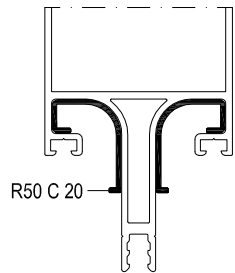
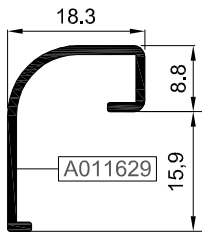
R50 G 04



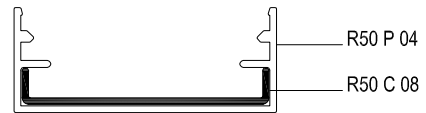
R50 G 05



R50 C 20



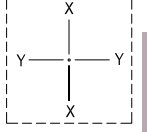
R50 C 08



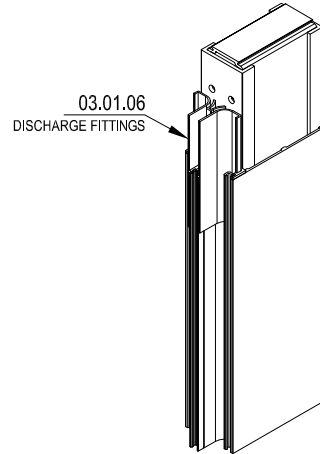
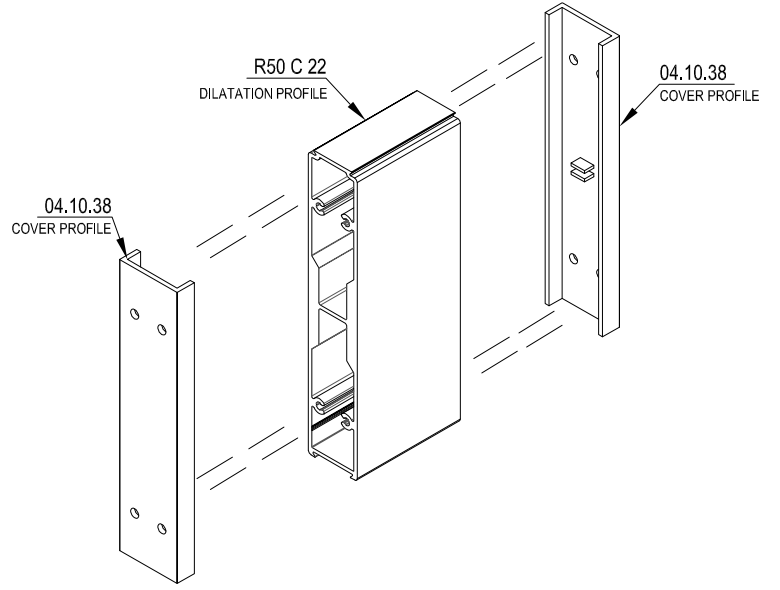
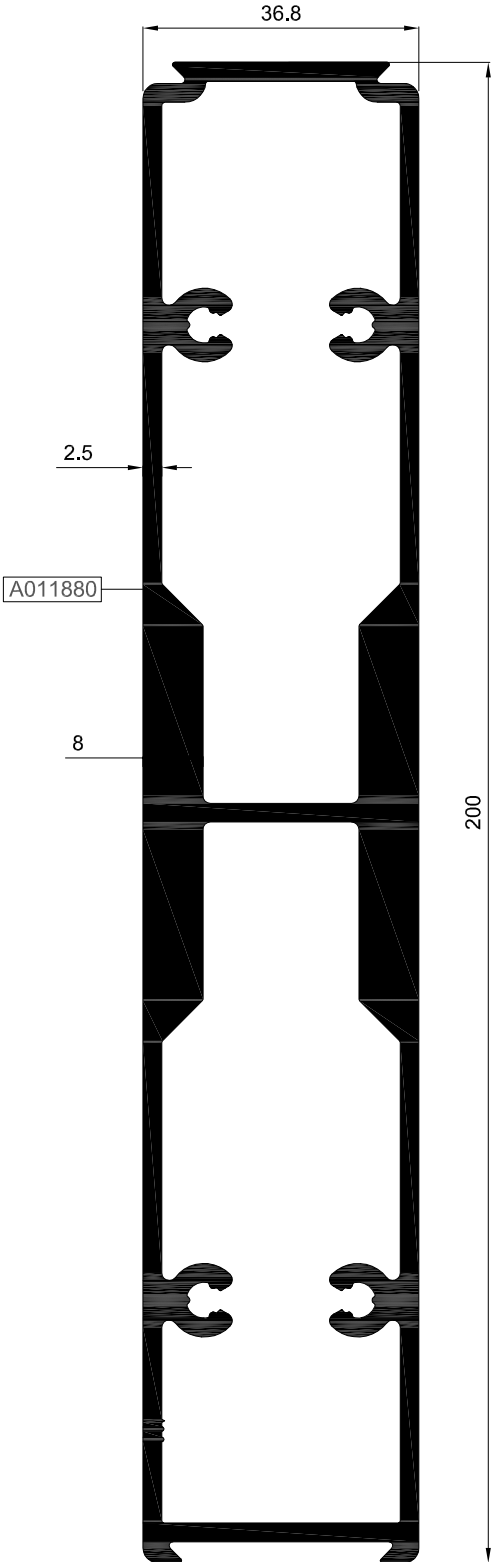
DÜŞEY BAĞLANTI PROFİLLERİ MULLION CONNECTION PROFILES

R50

| KOD / CODE | AĞIRLIK (kg/m) / WEIGHT | Jxx cm4 | Jyy cm4 | Wx cm3 | Wy cm3 | L m |
|------------|-------------------------|---------|---------|--------|--------|-----|
| R50 C 22 | 5,550 | --- | --- | --- | --- | 6 |



*R50 C 22



*04.10.38 VE 03.01.06 KODLU AKSESUARLAR İLE BİRLİKTE KULLANILACAKTIR.
IT WILL BE USED WITH 04.10.38 & 03.01.06 ACCESSORIES.

01

02

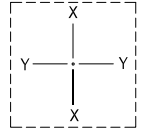
03

04

05

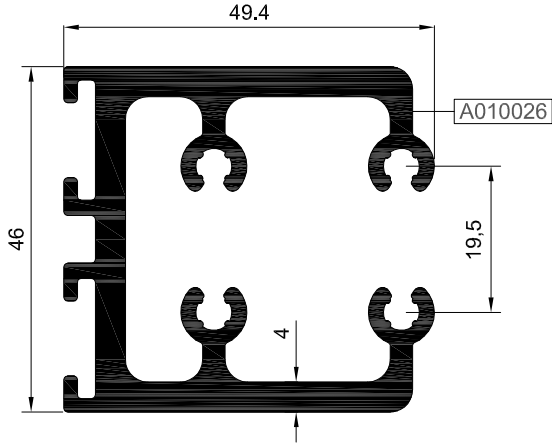
06

| KOD / CODE | AĞIRLIK (kg/m) / WEIGHT | L m | KOD / CODE | AĞIRLIK (kg/m) / WEIGHT | L m |
|------------|-------------------------|-----|------------|-------------------------|-----|
| R50 C 06 | 2,033 | 6 | | | |
| R50 C 10 | 1,715 | 6 | | | |
| R50 C 24 | 1,363 | 6 | | | |

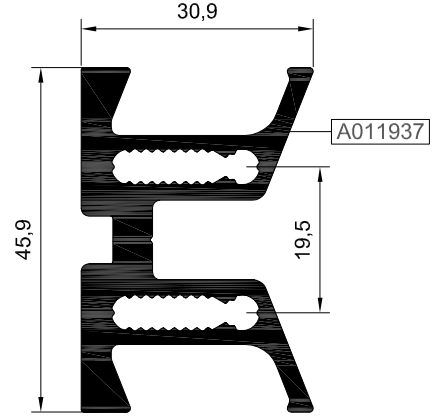


U BAĞLANTILAR / U CONNECTIONS

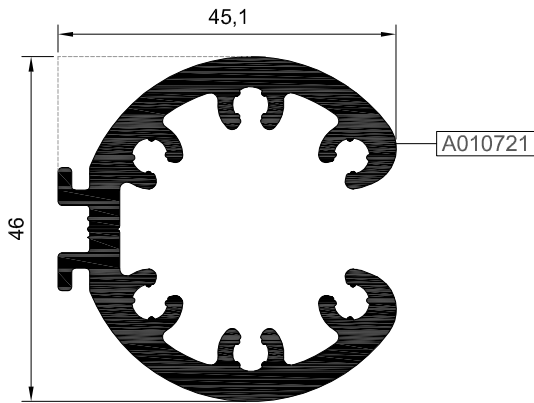
R50 C 06



R50 C 24*



R50 C 10



01

02

03

04

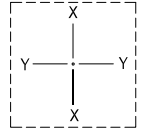
05

06

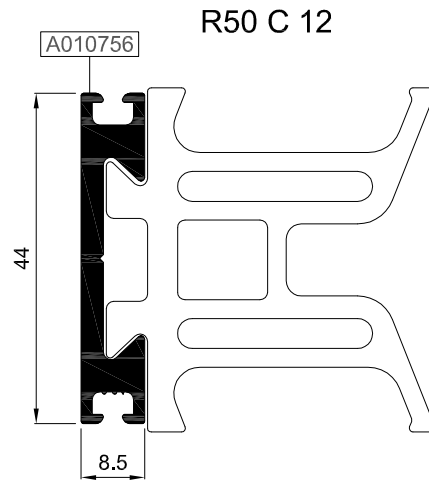
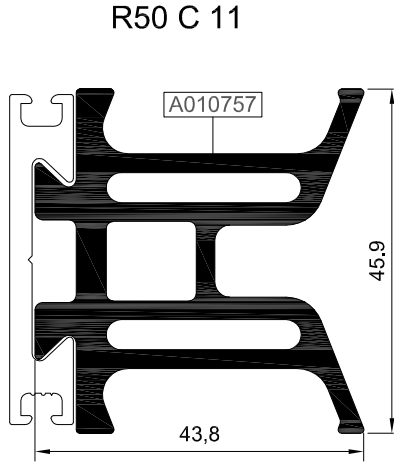
YATAY BAĞLANTI PROFİLLERİ TRANSOM CONNECTION PROFILES

R50

| KOD / CODE | AĞIRLIK (kg/m) / WEIGHT | L m | KOD / CODE | AĞIRLIK (kg/m) / WEIGHT | L m |
|------------|-------------------------|-----|------------|-------------------------|-----|
| R50 C 11 | 1,813 | 6 | | | |
| R50 C 12 | 0,548 | 6 | | | |



KIRLANGIÇ (T) BAĞLANTILAR / T CONNECTIONS



01

02

03

04

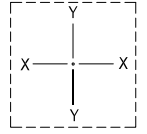
05

06

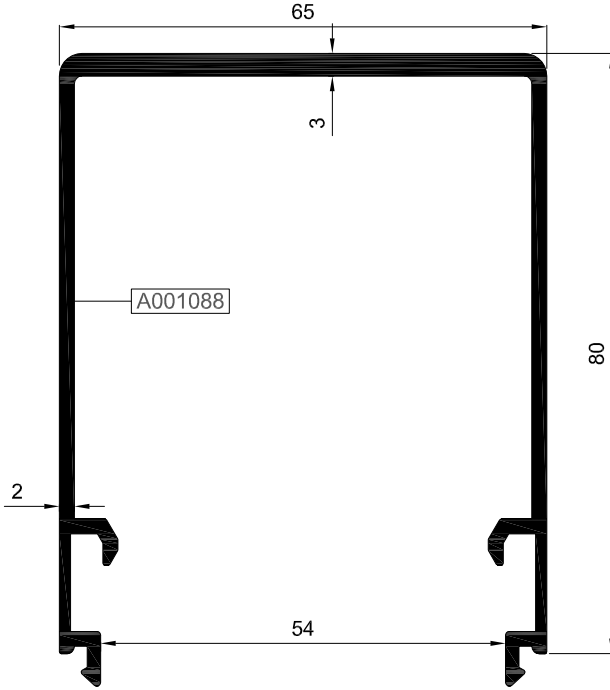
ÇELİK TAKVİYELİ DÜŞEY PROFİLLER
MULLION PROFILES WITH STEEL REINFORCEMENT

R50

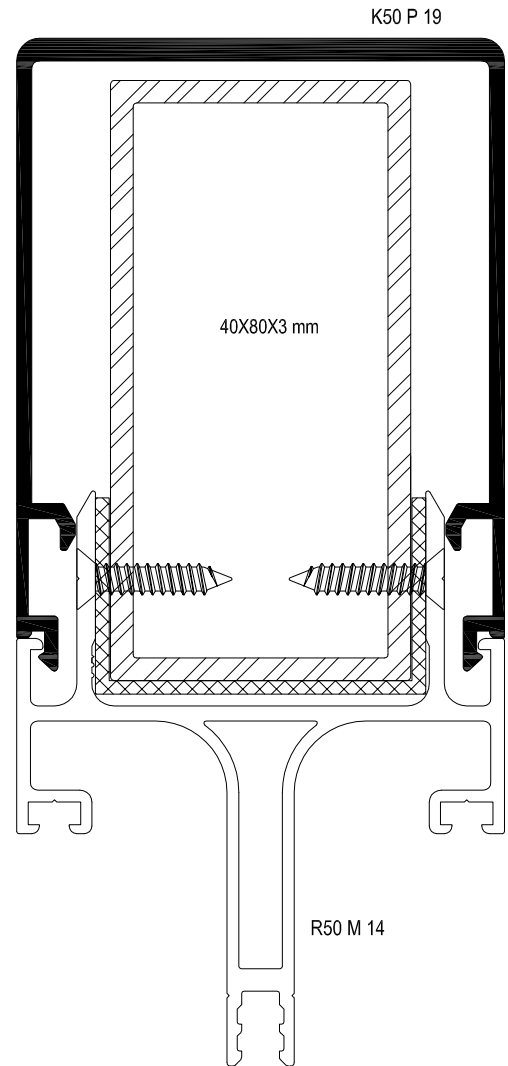
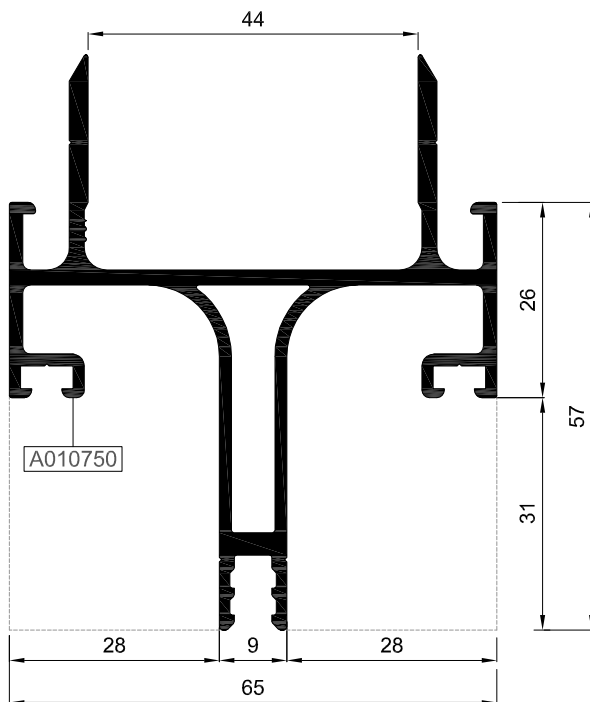
| KOD / CODE | AĞIRLIK (kg/m) / WEIGHT | Jxx cm ⁴ | Jyy cm ⁴ | Wx cm ³ | Wy cm ³ | L m |
|------------|-------------------------|---------------------|---------------------|--------------------|--------------------|-----|
| K50 P 19 | 1,336 | 39,110 | 39,480 | | | 6 |
| R50 M 14 | 1,555 | 16,928 | 24,136 | | | 6 |



K50 P 19



R50 M 14



01

02

03

04

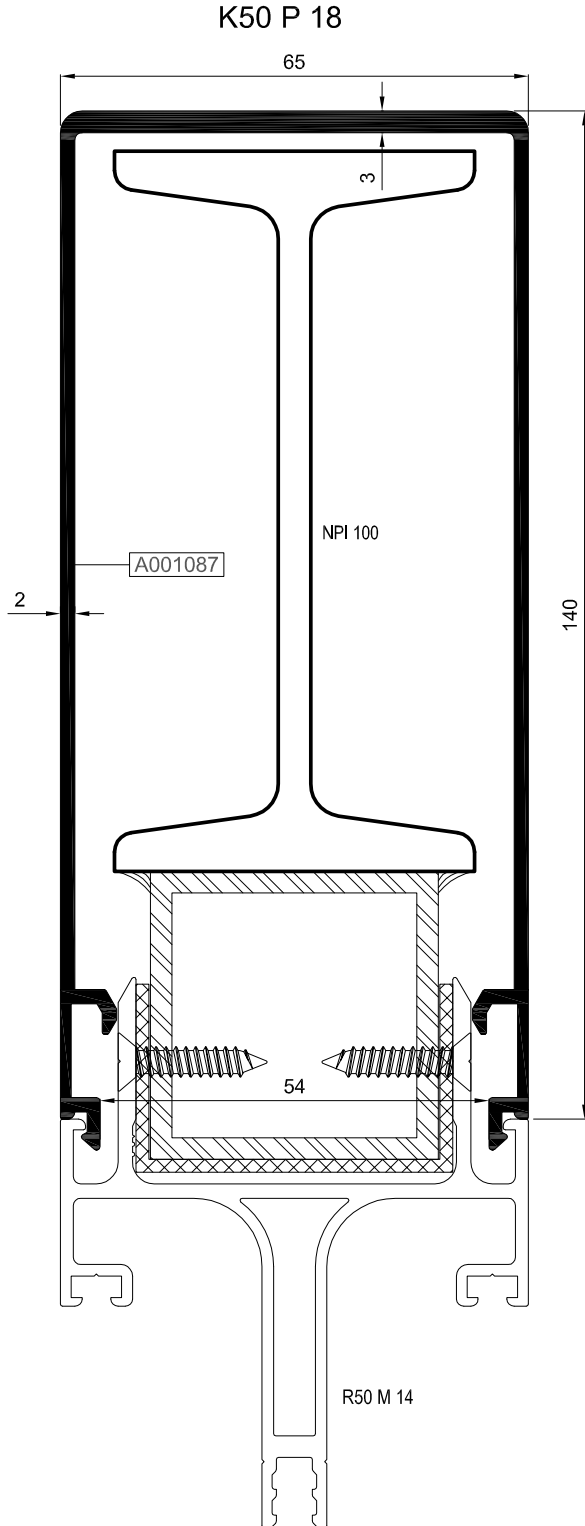
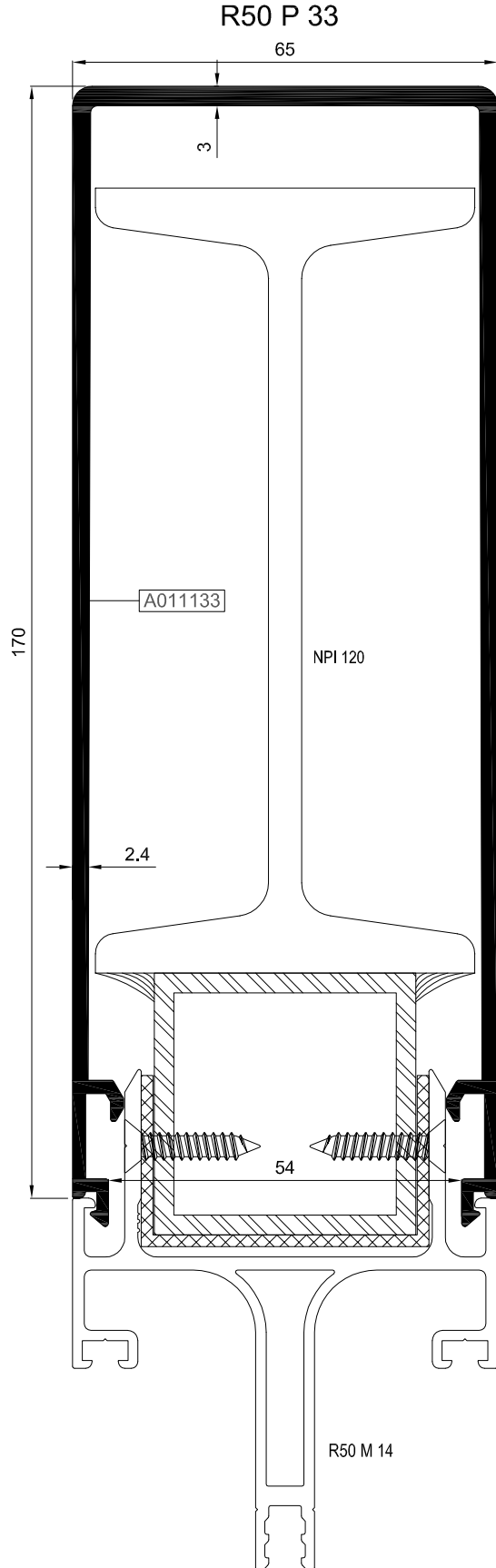
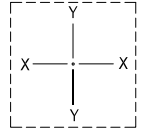
05

06

ÇELİK TAKVİYELİ DÜŞEY PROFİLLER
MULLION PROFILES WITH STEEL REINFORCEMENT

R50

| KOD / CODE | AĞIRLIK (kg/m) / WEIGHT | Jxx cm ⁴ | Jyy cm ⁴ | Wx cm ³ | Wy cm ³ | L m |
|------------|-------------------------|---------------------|---------------------|--------------------|--------------------|-----|
| R50 P 33 | 2,997 | 351,315 | 94,281 | | | 6 |
| K50 P 18 | 2,313 | 193,150 | 70,297 | | | 6 |



01

02

03

04

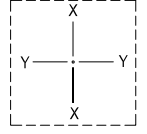
05

06

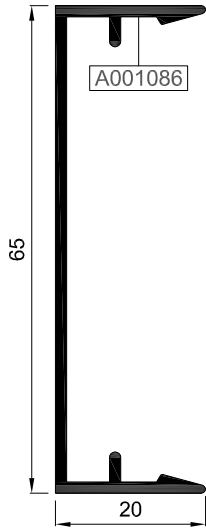
ÇELİK TAKVİYELİ YATAY PROFİLLER
TRANSOM PROFILES WITH STEEL REINFORCEMENT

R50

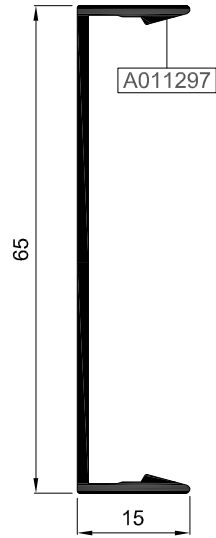
| KOD / CODE | AĞIRLIK (kg/m) / WEIGHT | Jxx cm4 | Jyy cm4 | Wx cm3 | Wy cm3 | L m |
|------------|-------------------------|---------|---------|--------|--------|-----|
| K50 P 20 | 0,901 | 77,402 | 25,100 | | | 6 |
| R50 P 04 | 0,455 | - | - | | | 6 |
| R50 P 05 | 0,566 | - | - | | | 6 |
| R50 P 35 | 0,380 | - | - | | | 6 |
| R50 T 08 | 1,422 | 14,893 | 22,457 | | | 6 |



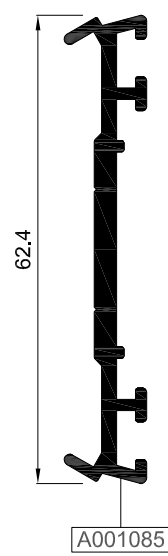
R50 P 04



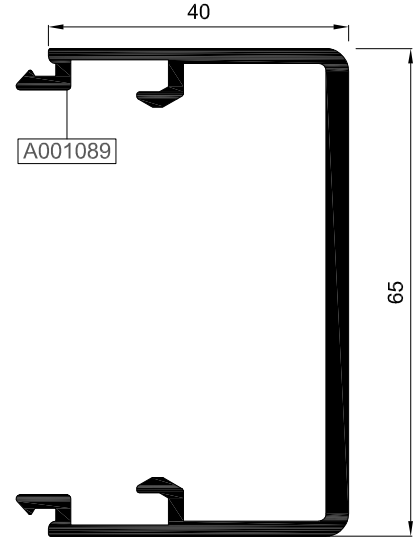
R50 P 35



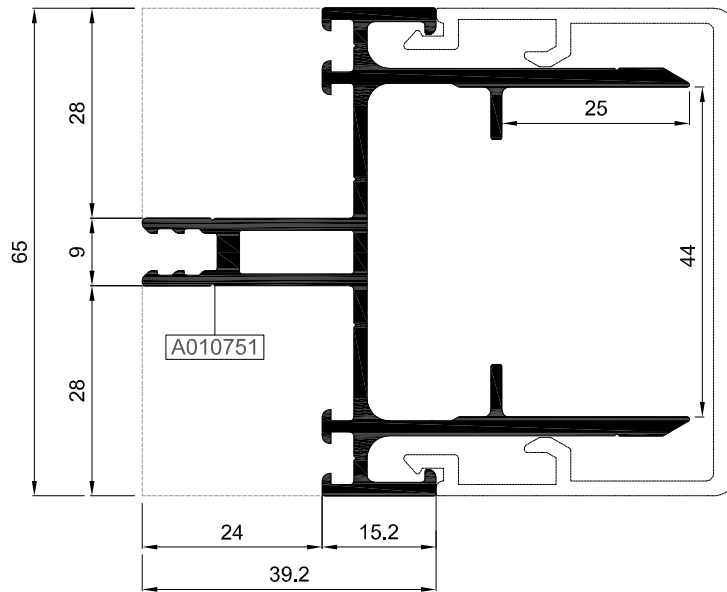
R50 P 05



K50 P 20



R50 T 08



01

02

03

04

05

06

STOKTA BULUNAN SİSTEM PROFİLLERİNİN LİSTESİ (LIST OF SYSTEM PROFILES IN STOCK)

| Nr | | | MIN. SİPARİŞ MİKTARI MIN. ORDER QUANTITY |
|----------|---------|-------|---|
| AR50V16 | A010776 | 75 kg | 150 kg |
| | A010032 | 75 kg | |
| AR50V27 | A011283 | 75 kg | 150 kg |
| | A010032 | 75 kg | |
| AR50H09 | A010049 | 75 kg | 150 kg |
| | A010966 | 75 kg | |
| R50 C 22 | A011880 | | 75 kg |
| R50 M 01 | A010000 | | 75 kg |
| R50 M 02 | A010001 | | 75 kg |
| R50 M 03 | A010002 | | 75 kg |
| R50 M 04 | A010003 | | 75 kg |
| R50 M 18 | A010926 | | 75 kg |
| R50 M 20 | A010969 | | 75 kg |
| R50 M 21 | A010970 | | 75 kg |
| R50 T 02 | A010007 | | 75 kg |
| R50 T 03 | A010008 | | 75 kg |
| R50 T 04 | A010009 | | 75 kg |
| R50 T 05 | A010010 | | 75 kg |
| R50 T 06 | A010011 | | 75 kg |
| R50 T 13 | A010968 | | 75 kg |
| R50 T 14 | A11132A | | 75 kg |
| R50 T 17 | A011166 | | 75 kg |
| R50 T 18 | A011173 | | 75 kg |
| R50 P 01 | A02357A | | 75 kg |
| R50 P 03 | A02359A | | 75 kg |
| R50 P 04 | A001086 | | 75 kg |
| R50 P 05 | A001085 | | 75 kg |
| R50 P 06 | A02381A | | 75 kg |
| R50 P 15 | A10054A | | 75 kg |
| R50 P 16 | A10055A | | 75 kg |
| R50 P 32 | A011137 | | 75 kg |
| R50 R 04 | A010043 | | 75 kg |
| R50 S 01 | A010078 | | 75 kg |
| R50 V 21 | A011060 | | 75 kg |
| R50 V 26 | A011278 | | 75 kg |
| R50 V 28 | A011366 | | 75 kg |
| R50 H 06 | A010932 | | 75 kg |
| K50 P 19 | A001088 | | 75 kg |
| R50 A 01 | A010048 | | 75 kg |
| R50 C 04 | A010017 | | 75 kg |
| R50 C 06 | A010026 | | 75 kg |
| R50 C 11 | A010757 | | 75 kg |
| R50 C 12 | A010756 | | 75 kg |
| R50 E 12 | A011280 | | 75 kg |

* STOKTA BULUNMAYAN TÜM PROFİLLER İÇİN MİNİMUM SİPARİŞ MİKTARI 300 KG'DIR.
MINIMUM ORDER QUANTITY FOR ALL THE PROFILES THAT ARE NOT IN STOCK IS 300 KG.

MİMARİ KATALOG

ARCHITECTURAL CATALOGUE

Alüminyum Kapı Pencere ve Giydirme Cephe Sistemleri
Aluminium Window Doors and Facade Systems

R50

CAM TABLOLARI

GLASS TABLES

DÜŞEY VE YATAY BAĞLANTILAR

MULLION & TRANSOM CONNECTION PIECES

KÖŞE TAKOZLARI

CORNER CLEATS

01

02

03

04

05

06

CAM TABLOSU / KAPAKLI CEPHE
GLASS TABLE / CURTAIN WALL WITH CAPE

01

02

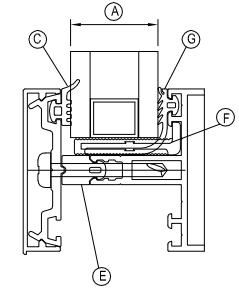
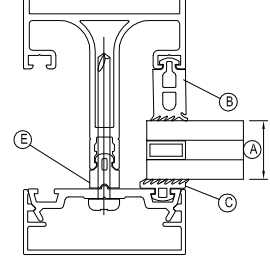
03

04

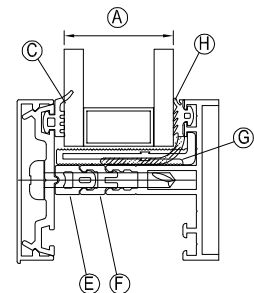
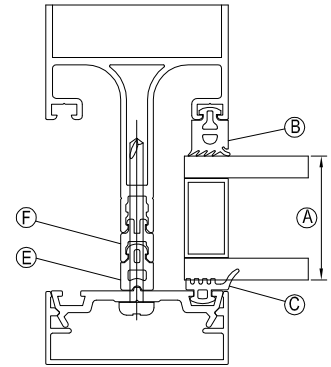
05

06

| A | B | C | E | F | G |
|-----------|----------------------------|-----------------------------|---------------------------|----------------------|----------------------------|
| CAM GLASS | İÇ CAM FİTİLİ GLASS GASKET | DIŞ CAM FİTİLİ GLASS GASKET | ORTA FİTİL CENTRAL GASKET | CAM TAKOZU SUPPORTER | İÇ CAM FİTİLİ GLASS GASKET |
| 18 mm. | 01.02.21. | 01.11.01. | 01.05.01. | R50 S 01 | 01.03.21. |
| 19 mm. | 01.02.22. | 01.11.01. | 01.05.01. | R50 S 01 | 01.03.22. |
| 20 mm. | 01.02.23. | 01.11.01. | 01.05.01. | R50 S 01 | 01.03.23. |
| 21 mm. | 01.02.24. | 01.11.01. | 01.05.01. | R50 S 01 | 01.03.24. |
| 22 mm. | 01.02.25. | 01.11.01. | 01.05.01. | R50 S 01 | 01.03.25. |
| 23 mm. | 01.02.26. | 01.11.01. | 01.05.01. | R50 S 01 | 01.03.26. |
| 24 mm. | 01.02.27. | 01.11.01. | 01.05.01. | R50 S 01 | 01.03.27. |
| 25 mm. | 01.02.27. | 01.11.01. | 01.05.02. | R50 S 01 | 01.03.27. |
| 26 mm. | 01.02.27. | 01.11.01. | 01.05.03. | R50 S 01 | 01.03.27. |
| 27 mm. | 01.02.27. | 01.11.01. | 01.05.04. | R50 S 01 | 01.03.27. |
| 28 mm. | 01.02.27. | 01.11.01. | 01.05.05. | R50 S 01 | 01.03.27. |
| 29 mm. | 01.02.27. | 01.11.01. | 01.05.06. | R50 S 01 | 01.03.27. |



| A | B | C | E | G | H | F |
|-----------|----------------------------|-----------------------------|---------------------------|----------------------|----------------------------|------------------------|
| CAM GLASS | İÇ CAM FİTİLİ GLASS GASKET | DIŞ CAM FİTİLİ GLASS GASKET | ORTA FİTİL CENTRAL GASKET | CAM TAKOZU SUPPORTER | İÇ CAM FİTİLİ GLASS GASKET | PVC PROFİL PVC PROFILE |
| 30 mm. | 01.02.26. | 01.11.01. | 01.05.01. | E50 S 02 | 01.03.26. | 02.01.01. |
| 31 mm. | 01.02.27. | 01.11.01. | 01.05.01. | E50 S 02 | 01.03.27. | 02.01.01. |
| 32 mm. | 01.02.27. | 01.11.01. | 01.05.02. | E50 S 02 | 01.03.27. | 02.01.01. |
| 33 mm. | 01.02.27. | 01.11.01. | 01.05.03. | E50 S 02 | 01.03.27. | 02.01.01. |
| 34 mm. | 01.02.27. | 01.11.01. | 01.05.04. | E50 S 02 | 01.03.27. | 02.01.01. |
| 35 mm. | 01.02.27. | 01.11.01. | 01.05.05. | E50 S 04 | 01.03.27. | 02.01.01. |
| 36 mm. | 01.02.27. | 01.11.01. | 01.05.06. | E50 S 04 | 01.03.27. | 02.01.01. |
| 37 mm. | 01.02.27. | 01.11.01. | 01.05.02. | E50 S 04 | 01.03.27. | 02.01.08. |
| 38 mm. | 01.02.27. | 01.11.01. | 01.05.03. | E50 S 04 | 01.03.27. | 02.01.08. |
| 39 mm. | 01.02.27. | 01.11.01. | 01.05.04. | E50 S 04 | 01.03.27. | 02.01.08. |
| 40 mm. | 01.02.27. | 01.11.01. | 01.05.05. | E50 S 04 | 01.03.27. | 02.01.08. |

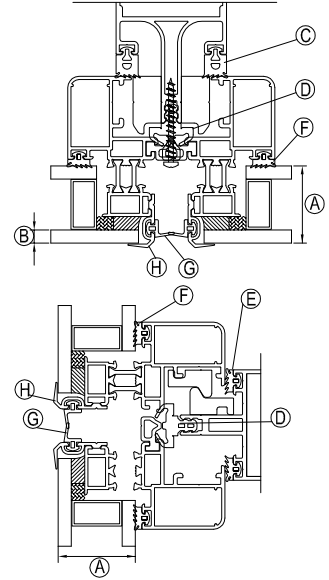


CAM TABLOSU / SİLİKON CEPHE

GLASS TABLE / CURTAIN WALL WITH STRUCTURAL CELLS

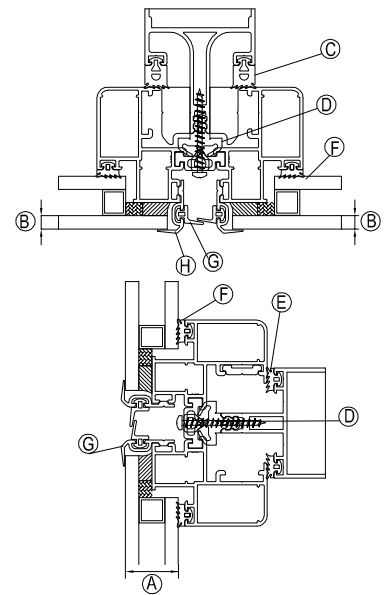
KULLANILAN PROFİL: AR50V27

| A | F (İÇ CAM FİTİLİ) | | | C | D | E | G |
|-----------|--|-------------------|-------------------|----------------------------|------------------------------|----------------------------|-------------------------|
| | B, DIŞ CAM KALINLIĞI GLASS THICKNESS (OUT) | | | | | | |
| CAM GLASS | 5 mm. R50 R 06 | 6 mm. R50 R 01 | 8 mm. R50 R 05 | CAM FİTİLİ GLASS GASKET | ORTA FİTİL CENTRAL GASKET | CAM FİTİLİ GLASS GASKET | TIRNAK FİTİLİ GASKET |
| 21 mm. | 01.02.21. | — | — | 01.02.27 | 01.07.01. | 01.03.27. | 01.08.03. |
| 22 mm. | 01.02.22. | 01.02.21. | — | 01.02.27 | 01.07.01. | 01.03.27. | 01.08.03. |
| 23 mm. | 01.02.23. | 01.02.22. | — | 01.02.27 | 01.07.01. | 01.03.27. | 01.08.03. |
| 24 mm. | — | 01.02.23. | 01.02.21. | 01.02.27 | 01.07.01. | 01.03.27. | 01.08.03. |
| 25 mm. | 01.02.25. | — | 01.02.22. | 01.02.27 | 01.07.01. | 01.03.27. | 01.08.03. |
| 26 mm. | 01.02.26. | 01.02.25. | 01.02.23. | 01.02.27 | 01.07.01. | 01.03.27. | 01.08.03. |
| 27 mm. | 01.02.27. | 01.02.26. | — | 01.02.27 | 01.07.01. | 01.03.27. | 01.08.03. |
| 28 mm. | — | 01.02.27. | 01.02.25. | 01.02.27 | 01.07.01. | 01.03.27. | 01.08.03. |
| 29 mm. | 01.03.22. | — | 01.02.26. | 01.02.27 | 01.07.01. | 01.03.27. | 01.08.03. |
| 30 mm. | 01.03.23. | 01.03.22. | 01.02.27. | 01.02.27 | 01.07.01. | 01.03.27. | 01.08.03. |
| 31 mm. | 01.03.24. | 01.03.23. | — | 01.02.27 | 01.07.01. | 01.03.27. | 01.08.03. |
| 32 mm. | — | 01.03.24. | 01.03.22. | 01.02.27 | 01.07.01. | 01.03.27. | 01.08.03. |
| 33 mm. | 01.03.26. | 01.03.25. | 01.03.23. | 01.02.27 | 01.07.01. | 01.03.27. | 01.08.03. |
| 34 mm. | 01.03.27. | 01.03.26. | 01.03.24. | 01.02.27 | 01.07.01. | 01.03.27. | 01.08.03. |
| 35 mm. | — | 01.03.27. | — | 01.02.27 | 01.07.01. | 01.03.27. | 01.08.03. |
| 36 mm. | — | — | 01.03.26. | 01.02.27 | 01.07.01. | 01.03.27. | 01.08.03. |
| 37 mm. | — | — | 01.03.27. | 01.02.27 | 01.07.01. | 01.03.27. | 01.08.03. |



KULLANILAN PROFİLLER: R50 V 26 - R50 V 28

| A | F (İÇ CAM FİTİLİ) | | | C | D | E | G |
|-----------|--|-------------------|-------------------|----------------------------|------------------------------|----------------------------|-------------------------|
| | B, DIŞ CAM KALINLIĞI GLASS THICKNESS (OUT) | | | | | | |
| CAM GLASS | 5 mm. R50 R 06 | 6 mm. R50 R 01 | 8 mm. R50 R 05 | CAM FİTİLİ GLASS GASKET | ORTA FİTİL CENTRAL GASKET | CAM FİTİLİ GLASS GASKET | TIRNAK FİTİLİ GASKET |
| 18 mm. | 01.03.22. | 01.03.21 | 01.02.26 | 01.02.27 | 01.07.01 | 01.03.27 | 01.08.03 |
| 19 mm. | 01.03.23. | 01.03.22 | 01.02.27 | 01.02.27 | 01.07.01 | 01.03.27 | 01.08.03 |
| 20 mm. | 01.03.24. | 01.03.23 | 01.03.21 | 01.02.27 | 01.07.01 | 01.03.27 | 01.08.03 |
| 21 mm. | 01.03.25. | 01.03.24 | 01.03.22 | 01.02.27 | 01.07.01 | 01.03.27 | 01.08.03 |
| 22 mm. | 01.03.26. | 01.03.25 | 01.03.23 | 01.02.27 | 01.07.01 | 01.03.27 | 01.08.03 |
| 23 mm. | 01.03.27. | 01.03.26 | 01.03.24 | 01.02.27 | 01.07.01 | 01.03.27 | 01.08.03 |
| 24 mm. | — | 01.03.27 | 01.03.25 | 01.02.27 | 01.07.01 | 01.03.27 | 01.08.03 |
| 25 mm. | — | — | 01.03.26 | 01.02.27 | 01.07.01 | 01.03.27 | 01.08.03 |
| 26 mm. | — | — | 01.03.27 | 01.02.27 | 01.07.01 | 01.03.27 | 01.08.03 |



01

| | | | | |
|-----------------------------|------------|------------|------------|------------|
| PROFİL KODU (PROFILE CODE) | 25 L 15 | 25 L 35 | 25 L 38 | 25 L 50 |
| FABRİKA KODU (FACTORY CODE) | A002060 | A010076 | A002074 | A010838 |
| AĞIRLIK (WEIGHT) | 5,167 kg/m | 4,192 kg/m | 4,854 kg/m | 1,748 kg/m |
| ÇİZİM (DRAWING) | | | | |

02

| | | | | |
|-----------------------------|------------|------------|------------|--|
| PROFİL KODU (PROFILE CODE) | 25 L 61 | 25 L 62 | 25 L 69 | |
| FABRİKA KODU (FACTORY CODE) | A001034 | A002442 | A011097 | |
| AĞIRLIK (WEIGHT) | 3,759 kg/m | 4,249 kg/m | 3,824 kg/m | |
| ÇİZİM (DRAWING) | | | | |

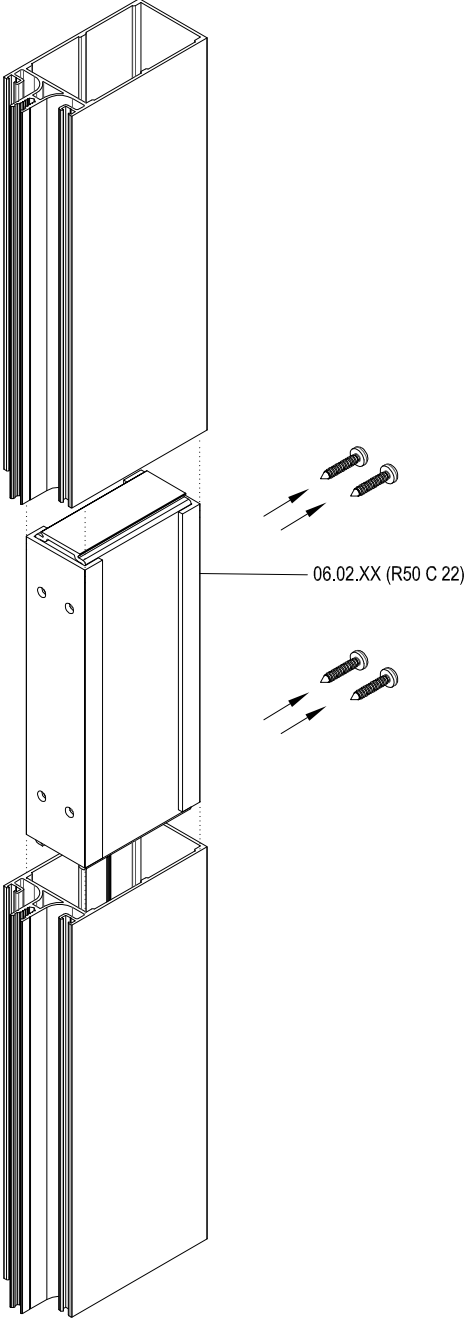
03

04

| Nr | | | KESİM ÖLÇÜSÜ CUTTING SIZE | |
|----------|---------|-------------------|------------------------------|----------|
| R50 V 22 | A011088 | 25 L 15 (A002060) | 45,9 mm | 204 L 15 |
| | | 25 L 61 (A001034) | 5,9 mm | 128 L 61 |
| R50 V 26 | A011278 | 25 L 38 (A002074) | 27,0 mm | 157 L 38 |
| | | 25 L 35 (A010076) | 13,8 mm | 239 L 35 |
| R50 V 27 | A011283 | 25 L 38 (A002074) | 27,0 mm | 157 L 38 |
| | A010032 | 25 L 35 (A010076) | 7,8 mm | 140 L 35 |
| R50 V 28 | A011366 | 25 L 38 (A002074) | 27,0 mm | 157 L 38 |
| | | 25 L 61 (A001034) | 5,9 mm | 128 L 61 |
| R50 V 32 | A011628 | 25 L 69 (A011097) | 6,8 mm | 275 L 69 |
| | A010032 | 25 L 35 (A010076) | 7,8 mm | 140 L 35 |
| AR50V34 | A011283 | 25 L 38 (A002074) | 27,0 mm | 157 L 38 |
| | A011806 | 25 L 69 (A011097) | 5,7 mm | 129 L 69 |
| AR50V35 | A011628 | 25 L 69 (A011097) | 6,8 mm | 275 L 69 |
| | A011806 | 25 L 69 (A011097) | 5,7 mm | 129 L 69 |
| R50 H 06 | A010932 | 25 L 50 (A010838) | 47,2 mm | 196 L 50 |
| | | 25 L 62 (A002442) | 5,7 mm | 129 L 62 |
| R50 H 07 | A010933 | 25 L 50 (A010838) | 58,2 mm | 206 L 50 |
| | | 25 L 62 (A002442) | 5,7 mm | 129 L 62 |
| AR50H09 | A010049 | 25 L 50 (A010838) | 22,2 mm | 190 L 50 |
| AR50H11 | A010049 | 25 L 50 (A010838) | 22,2 mm | 190 L 50 |
| R50 H 12 | A011087 | 25 L 50 (A010838) | 66,2 mm | 220 L 50 |
| | | 25 L 62 (A002442) | 5,7 mm | 129 L 62 |
| AR50H15 | A010049 | 25 L 50 (A010838) | 22,2 mm | 190 L 50 |
| R50 H 16 | A011424 | 25 L 50 (A010838) | 41,5 mm | 218 L 50 |
| | | 25 L 50 (A010838) | 22,9 mm | 300 L 50 |

05

06

| ÇİZİM DRAWING | AKSESUAR KODU ACCESSORY CODE | PROFİL PROFILE | KESİM ÖLÇÜSÜ CUTTING SIZE |
|--|---------------------------------|----------------------|------------------------------|
|  | 06.02.01 | R50 M 01 R50 M 20 | L=54,5 mm |
| | 06.02.02 | R50 M 02 R50 M 25 | L=74,5 mm |
| | 06.02.03 | R50 M 03 R50 M 21 | L=92,5 mm |
| | 06.02.04 | R50 M 04 | L=111,5 mm |
| | 06.02.05 | R50 M 05 | L=128,5 mm |
| | 06.02.06 | R50 M 06 | L=148,5 mm |
| | 06.02.07 | R50 M 07 | L=58,5 mm |
| | 06.02.08 | R50 M 08 | L=89,5 mm |
| | 06.02.09 | R50 M 09 | L=103,5 mm |
| | 06.02.10 | R50 M 10 | L=23,2 mm |
| | 06.02.11 | R50 M 11 | L=76,6 mm |
| | 06.02.12 | R50 M 15 | L=148,3 mm |
| | 06.02.13 | R50 M 17 | L=94,5 mm |
| | 06.02.14 | R50 M 18 | L=74,9 mm |
| | 06.02.15 | R50 M 19 | L=68,5 mm |
| | 06.02.17 | R50 M 26 | L=167,3 mm |
| | 06.02.18 | R50 M 29 | L=131,8 mm |
| | 06.02.19 | R50 M 30 | L=76,3 mm |
| | 06.02.20 | R50 M 34 | L=64,5 mm |
| | 06.02.21 | R50 M 35 | L=61,5 mm |

01

02

03

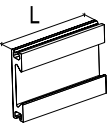
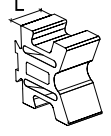
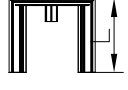
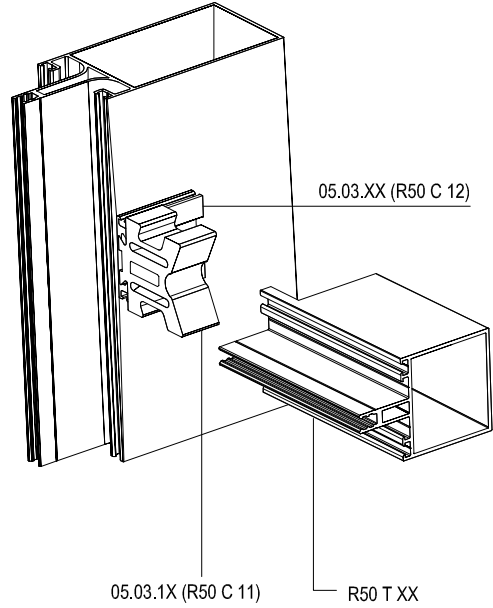
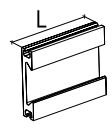
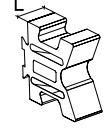

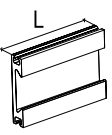
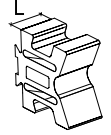
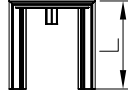
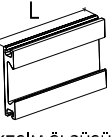
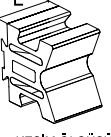
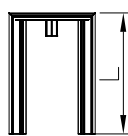
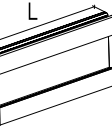

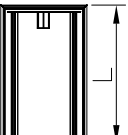

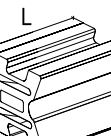
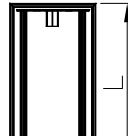
04

05

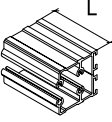
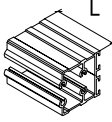
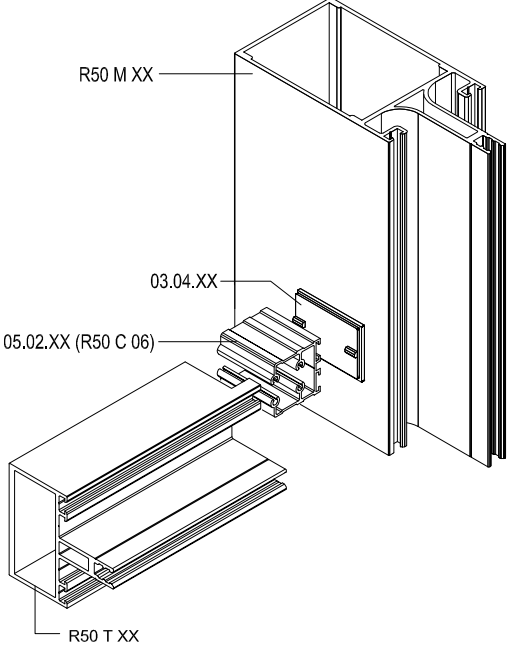
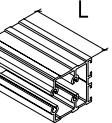
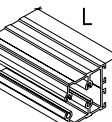
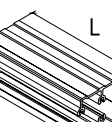
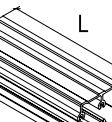
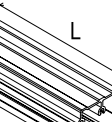
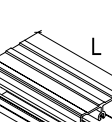
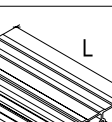
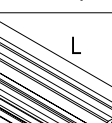

06

YATAY KAYIT BAĞLANTILARI TRANSOM CONNECTION PIECES

R50 C 11 VE R50 C 12 İÇİN KIRLANGIÇ (T) BAĞLANTI AKSESUARLARI T CONNECTIONS FOR R50 C 11 & R50 C 12

| ÇİZİM/DRAWING | ÇİZİM/DRAWING | ÇİZİM/DRAWING | RENK/COLOUR | | UYGULAMA /APPLICATION |
|---|---|---|-------------|----------------------|---|
| 05.03.01  KESİM ÖLÇÜSÜ CUTTING SIZE L=18,7 mm | 05.03.11  KESİM ÖLÇÜSÜ CUTTING SIZE L=19,7 mm | 04.23.T01  KESİM ÖLÇÜSÜ CUTTING SIZE L= 23 mm | PRES | R50 T 01 |  |
| 05.03.02  KESİM ÖLÇÜSÜ CUTTING SIZE L=40,9 mm | 05.03.12  KESİM ÖLÇÜSÜ CUTTING SIZE L=41,9 mm | 04.23.T02  KESİM ÖLÇÜSÜ CUTTING SIZE L= 45 mm | PRES | R50 T 02 R50 T 13 | |
| 05.03.03  KESİM ÖLÇÜSÜ CUTTING SIZE L=50,9 mm | 05.03.13  KESİM ÖLÇÜSÜ CUTTING SIZE L=51,9 mm | 04.23.T03  KESİM ÖLÇÜSÜ CUTTING SIZE L= 55 mm | PRES | R50 T 03 | |
| 05.03.04  KESİM ÖLÇÜSÜ CUTTING SIZE L=76,9 mm | 05.03.14  KESİM ÖLÇÜSÜ CUTTING SIZE L=77,8 mm | 04.23.T04  KESİM ÖLÇÜSÜ CUTTING SIZE L= 81 mm | PRES | R50 T 04 R50 T 18 | |
| 05.03.05  KESİM ÖLÇÜSÜ CUTTING SIZE L=96,9 mm | 05.03.15  KESİM ÖLÇÜSÜ CUTTING SIZE L=97,8 mm | 04.23.T05  KESİM ÖLÇÜSÜ CUTTING SIZE L=101 mm | PRES | R50 T 05 | |
| 05.03.06  KESİM ÖLÇÜSÜ CUTTING SIZE L=116,9 mm | 05.03.16  KESİM ÖLÇÜSÜ CUTTING SIZE L=115,8 mm | 04.23.T06  KESİM ÖLÇÜSÜ CUTTING SIZE L= 120 mm | PRES | R50 T 06 | |

R50 C 06 İÇİN U BAĞLANTI AKSESUARLARI
U CONNECTIONS FOR R50 C 06

| ÇİZİM DRAWING | AKSESUAR KODU ACCESSORY CODE | PROFİL PROFILE | KESİM ÖLÇÜSÜ CUTTING SIZE | ÇİZİM DRAWING | AKSESUAR KODU ACCESSORY CODE | PROFİL PROFILE | KESİM ÖLÇÜSÜ CUTTING SIZE |
|---|---------------------------------|----------------------|------------------------------|--|---------------------------------|---|------------------------------|
|  | 05.02.01 | R50 T 01 | L=20,7 mm |   | 05.02.15 | R50 T 24 Not: Yatay genişleme contası yoktur. There is no horizontal expansion joint. | L=87,7 mm |
|  | 05.02.02 | R50 T 02 R50 T 13 | L=41,9 mm | | | | |
|  | 05.02.03 | R50 T 03 | L=51,9 mm | | | | |
|  | 05.02.04 | R50 T 04 R50 T 18 | L=77,8 mm | | | | |
|  | 05.02.05 | R50 T 05 | L=97,8 mm | | | | |
|  | 05.02.06 | R50 T 06 | L=115,8 mm | | | | |
|  | 05.02.07 | R50 T 15 | L=66,6 mm | | | | |
|  | 05.02.08 | R50 T 16 | L=97,6 mm | | | | |
|  | 05.02.09 | R50 T 17 | L=137,8 mm | | | | |
|  | 05.02.10 | R50 T 14 | L=117,7 mm | | | | |

01

02

03

04

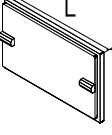
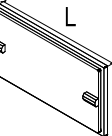
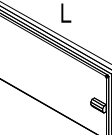
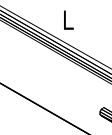
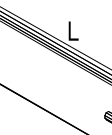


05

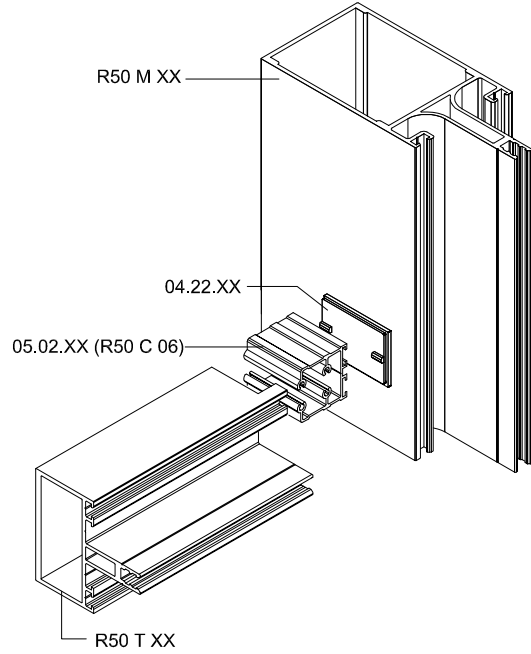
06

YATAY KAYIT BAĞLANTI CANTALARI TRANSOM CONNECTION PLUGS

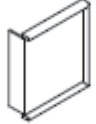




R50

R50 C 06 İÇİN U BAĞLANTI AKSESUARLARI U CONNECTIONS FOR R50 C 06

| ÇİZİM DRAWING | AKSESUAR KODU ACCESSORY CODE | PROFİL PROFILE | KESİM ÖLÇÜSÜ CUTTING SIZE | MALZEME MATERIAL |
|---|---------------------------------|----------------------|------------------------------|---------------------|
|  | 04.22.01 | R50 T 01 | L=24 mm | TPV |
|  | 04.22.02 | R50 T 02 R50 T 13 | L=44 mm | TPV |
|  | 04.22.03 | R50 T 03 | L=54 mm | TPV |
|  | 04.22.04 | R50 T 04 R50 T 18 | L=80 mm | TPV |
|  | 04.22.05 | R50 T 05 | L=100 mm | TPV |
|  | 04.22.06 | R50 T 06 R50 T 14 | L=120 mm | TPV |
|  | 04.22.09 | R50 T 17 | L=139,8 mm | TPV |



U BAĞLANTI CANTALARI / U CONNECTION PLUGS (PVC)

| ÇİZİM DRAWING | AKSESUAR KODU ACCESSORY CODE | PROFİL PROFILE | KESİM ÖLÇÜSÜ CUTTING SIZE | MALZEME MATERIAL |
|---|---------------------------------|----------------------|------------------------------|---------------------|
|  | 04.17.02 | R50 T 02 R50 T 13 | L=44 mm | PVC |
|  | 04.17.03 | R50 T 03 | L=54 mm | PVC |
|  | 04.17.04 | R50 T 04 R50 T 18 | L=80 mm | PVC |
|  | 04.17.05 | R50 T 05 | L=100 mm | PVC |
|  | 04.17.06 | R50 T 06 R50 T 14 | L=120 mm | PVC |

*04.17.XX KODLU PVC CANTALAR KULLANILDIĞINDA 01.14.01 BİTİŞ FİTİLİNİN KULLANILMASINA GEREK YOKTUR.
IT IS NOT NECESSARY TO USE GASKET 01.14.01 WHEN USING PLUGS 04.17.XX

*KANAT OLAN BÖLÜMLERDE VE DİKME -KAYIT HEMİYÜZ OLDUĞUNDA EPDM CONTA KULLANILMALIDIR.
EPDM PLUG SHOULD BE USED IN THE PARTS WITH VENTS.

AÇILI YATAY KAYIT BAĞLANTILARI
TRANSOM CONNECTION PIECES FOR ANGLE

R50

R50 C 10 İÇİN U BAĞLANTI AKSESUARLARI
U CONNECTIONS FOR R50 C 10

| ÇİZİM DRAWING | AKSESUAR KODU ACCESSORY CODE | PROFİL PROFILE | KESİM ÖLÇÜSÜ CUTTING SIZE |
|------------------|---------------------------------|----------------------|------------------------------|
| | 05.07.01 | R50 T 01 | L=20,7 mm |
| | 05.07.02 | R50 T 02 R50 T 13 | L=41,9 mm |
| | 05.07.03 | R50 T 03 | L=51,9 mm |
| | 05.07.04 | R50 T 04 R50 T 18 | L=77,8 mm |
| | 05.07.05 | R50 T 05 | L=97,8 mm |
| | 05.07.06 | R50 T 06 | L=115,8 mm |
| | 05.07.07 | R50 T 15 | L=66,6 mm |
| | 05.07.08 | R50 T 16 | L=97,6 mm |
| | 05.07.09 | R50 T 17 | L=137,8 mm |
| | 05.07.10 | R50 T 14 | L=117,7 mm |

01

02

03

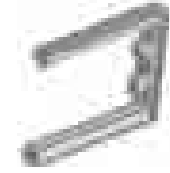
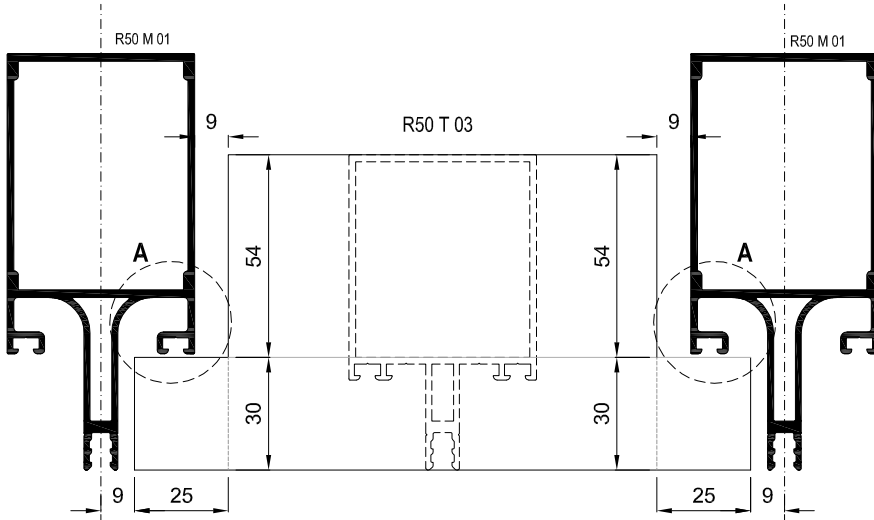
04

05

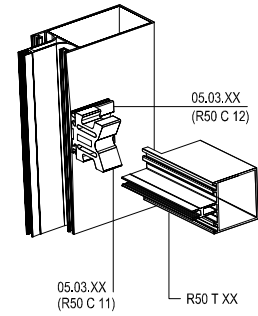
06

YATAY KAYIT KESİM ÖLÇÜLERİ TRANSOM CONNECTION PIECES FOR ANGLE

YATAY KAYIT KESİM ÖLÇÜLERİ (R50 C 11 İLE)
TRANSOM CUTTING DIMENSIONS (WITH R50 C 11)



03.04.07.TXX

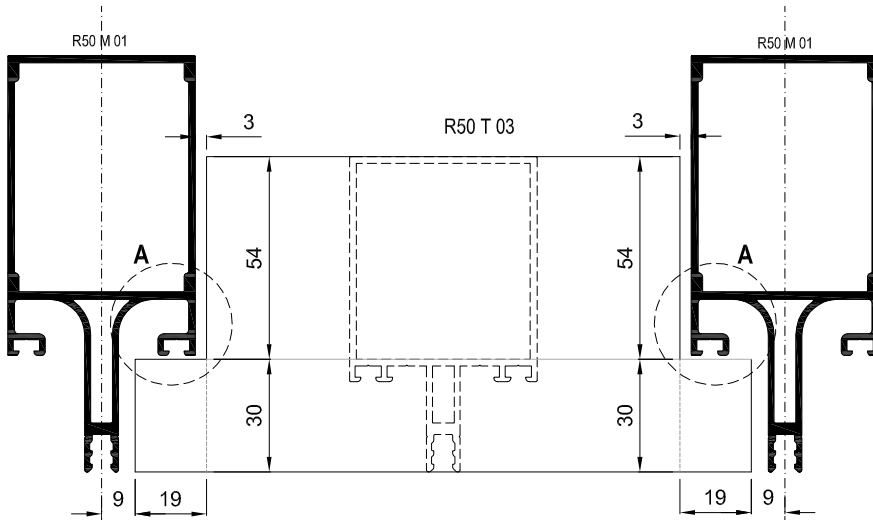


05.03.XX
(R50 C 11)

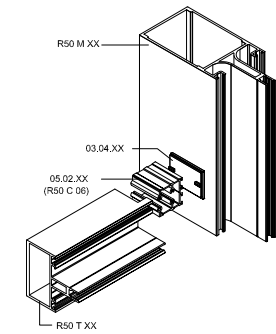
05.03.XX
(R50 C 12)

R50 T XX

YATAY KAYIT KESİM ÖLÇÜLERİ (R50 C 06 İLE)
TRANSOM CUTTING DIMENSIONS (WITH R50 C 06)



03.04.XX

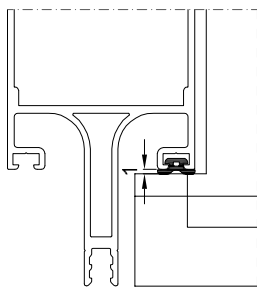


R50 M XX

05.02.XX
(R50 C 06)

R50 T XX

A

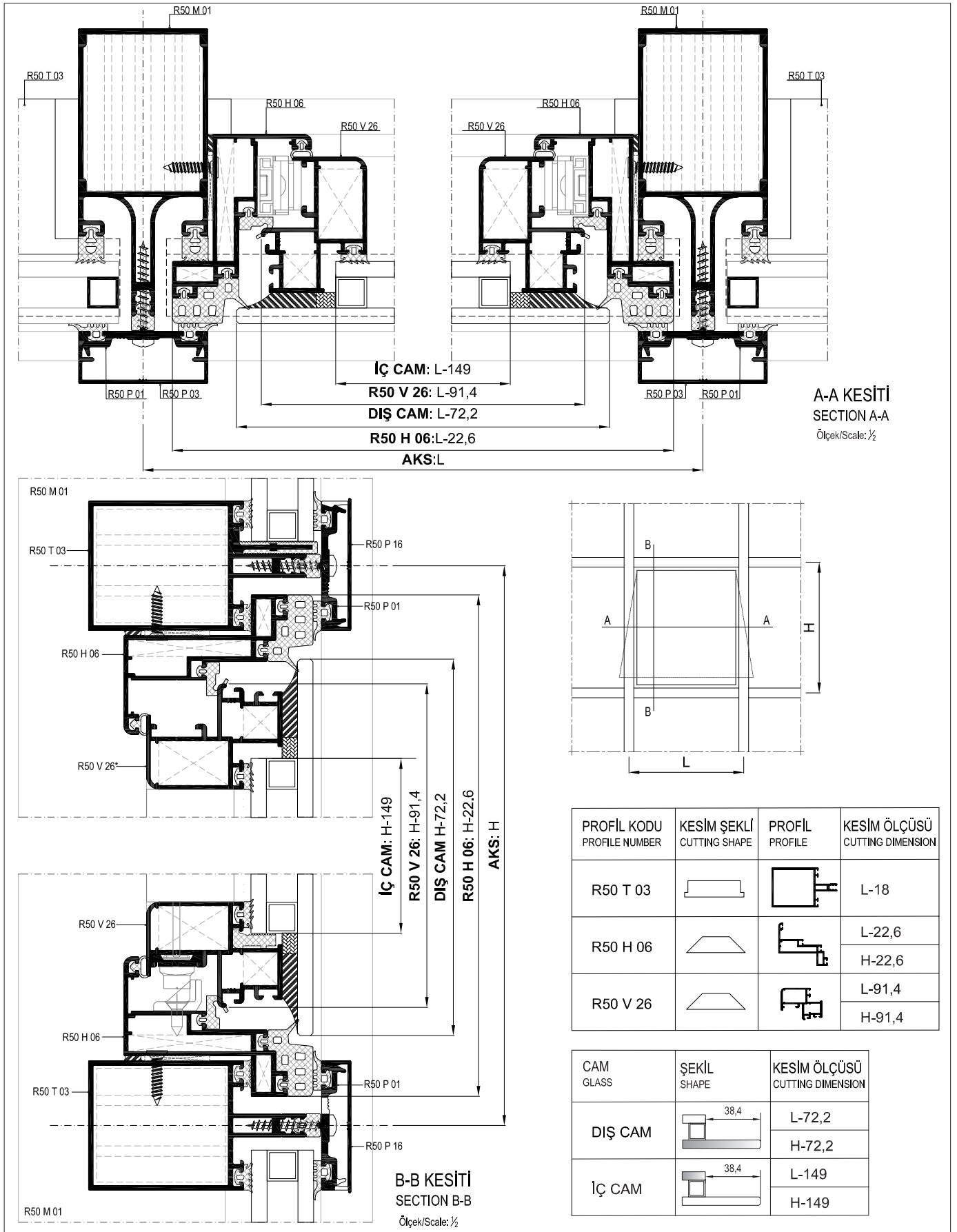


01.14.01
Biriş Fırılı

Ölçek/Scale: 1/2

KAPAKLI CEPHE KESİM ÖLÇÜLERİ
CUTTING SIZES FOR CURTAIN WALL

R50



01

02

03

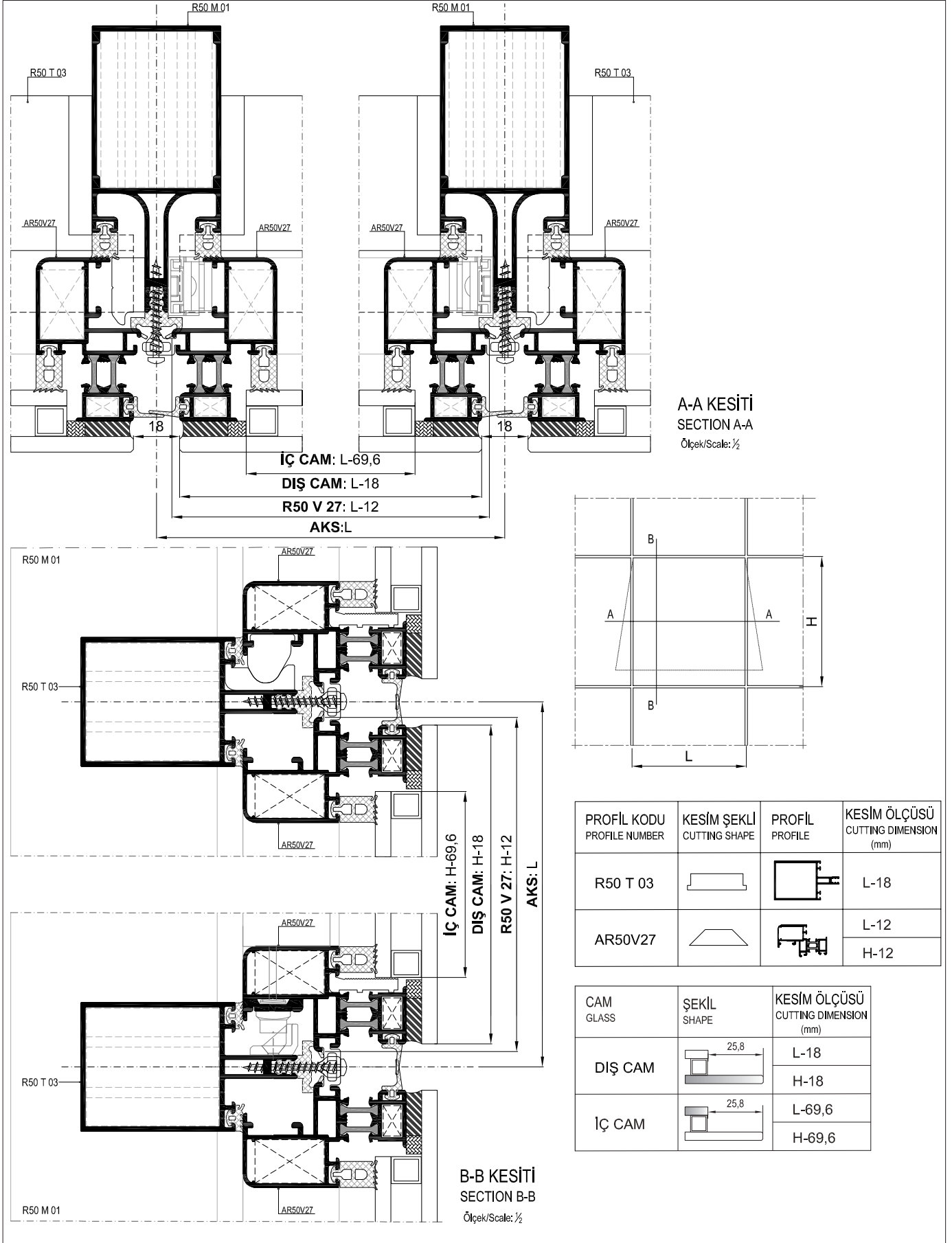
04

05

06

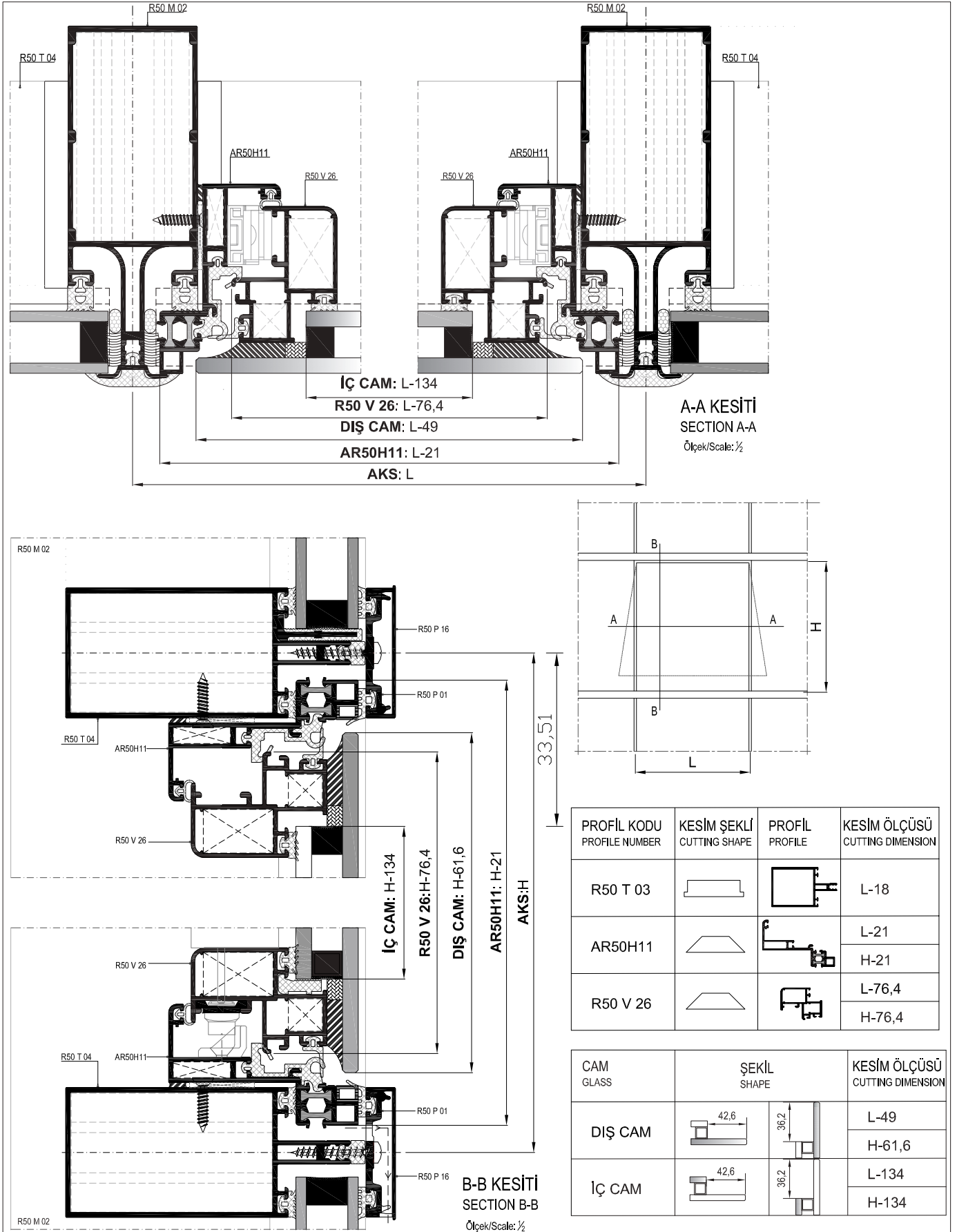
KASETLİ SİLİKON CEPHE KESİM ÖLÇÜLERİ CUTTING SIZES FOR CURTAIN WALL

R50



YARI KAPAKLI CEPHE KESİM ÖLÇÜLERİ CUTTING SIZES FOR TWO SIDE CURTAIN WALL

R50



01

02

03

04

05

06

MİMARİ KATALOG

ARCHITECTURAL CATALOGUE

Alüminyum Kapı Pencere ve Giydirme Cephe Sistemleri
Aluminium Window Doors and Facade Systems

R50TT

PROFİLLER VE DETAYLAR

PROFILES AND DETAILS

01

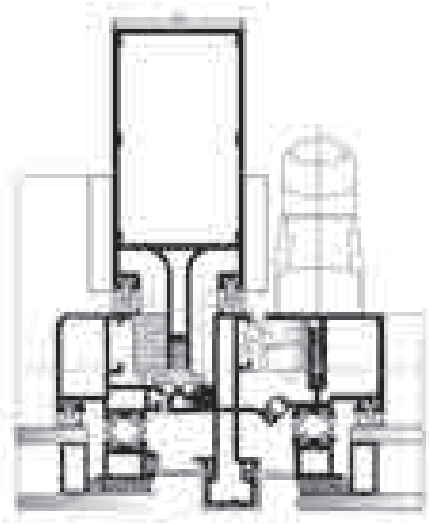
02

03

04

05

06



TEKNİK ÖZELLİKLERİ / TECHNICAL PROPERTIES

| | |
|---|-----------------------------|
| PROFİL GENİŞLİĞİ / PROFILE WIDTH | 50 mm |
| DİKME DERİNLİKLERİ / MULLION DEPTHS | min. 80mm - max. 200mm |
| KAYIT DERİNLİKLERİ / TRANSOM DEPTHS | min. 30mm - max. 146mm |
| PROFİL ET KALINLIĞI / PROFILE WALL THICKNESS | 1,6/ 1,8/ 2/ 2,2/ 2,5/ 3 mm |
| KASETLİ MAX.CAM KALINLIĞI / WITH STRUCTUREL CELLS MAX.GLASS THICKNESS | 37mm |
| ISI BARIYERLERİ / THERMAL INSULATION BAR | 14,8mm |

KULLANIM SEÇENEKLERİ / APPLICATION ALTERNATIVES

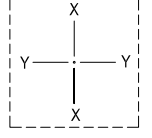
| | |
|--|---|
| KASETLİ CEPHE / STRUCTURAL GLAZING | * |
| İÇE AÇILIR ÇİFT EKSEN GİZLİ KANAT / INWARD OPENING TILT&TURN HIDDEN VENT | * |

| | | | | | | |
|---|----------------|----------------|----------------|----------------|--------------------|-------------------|
| HAVA GEÇİRGENLİĞİ - EN 12152 (AIR PERMEABILITY) | 1 (150 Pa) | 2 (300 Pa) | 3 (450 Pa) | 4 (600 Pa) | | |
| SU SIZDIRMAZLIĞI - EN 12154 (WATERTIGHTNESS) | R4 (150 Pa) | R5 (300 Pa) | R6 (150 Pa) | R7 (600 Pa) | RE... (600+ Pa) | RE900 (900 Pa) |
| RÜZGAR YÜKÜNE DAYANIM - EN 13830 (RESISTANCE TO WIND LOAD) | ± 1320 Pa | | | | | |

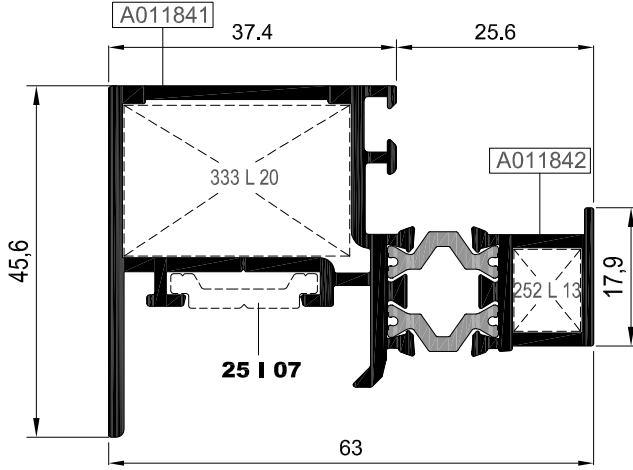
SİLİKON CEPHE ÇİFT AÇILIM PROFİLLERİ
TILT&TURN OPENING HIDDEN VENT PROFILES

R50TT

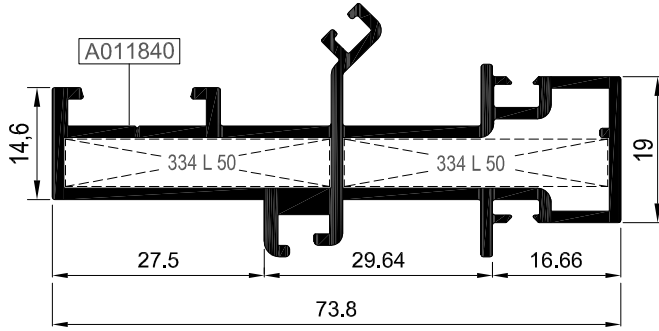
| KOD / CODE | AĞIRLIK (kg/m) / WEIGHT | Jxx cm4 | Jyy cm4 | Wx cm3 | Wy cm3 | L m |
|------------|-------------------------|---------|---------|--------|--------|-----|
| R50 V 36 | 1,419 | 13,384 | 6,096 | | | |
| R50 H 18 | 1,089 | 18,471 | 1,921 | | | |
| 25 I 07 | 0,143 | -- | -- | | | |



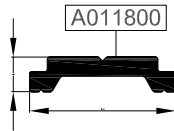
AR50V36



R50 H 18



25 I 07



| Nr | | L m | KESİM ÖLÇÜSÜ CUTTING SIZE | AKS. KODU ACS. CODE |
|----------|---------|-------------------|------------------------------|------------------------|
| AR50V36 | A011841 | 25 L 20 (A002166) | 29,4 mm | 333 L 20 |
| | A011842 | 25 L 13 (A002058) | 8,7 mm | 252 L 13 |
| R50 H 18 | A011840 | 25 L 50 (A010848) | 34,3 mm | 334 L 50 |
| | A011840 | 25 L 50 (A010848) | 34,3 mm | 334 L 50 |

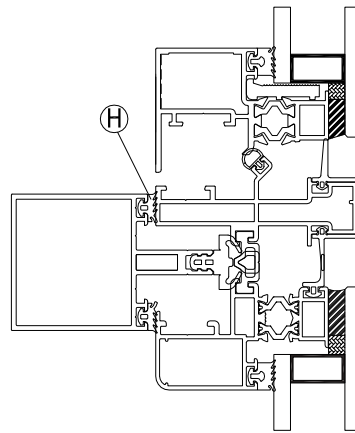
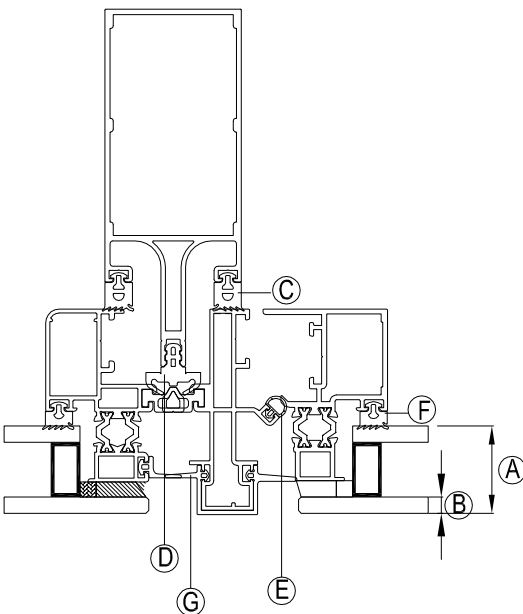
KÖŞE TAKOZU VE CAM TABLOLARI CORNER CLEATS AND GLASS TABLE

| | | | | |
|-----------------------------|------------|------------|------------|--|
| PROFİL KODU (PROFILE CODE) | 25 L 13 | 25 L 20 | 25 L 50 | |
| FABRİKA KODU (FACTORY CODE) | A002058 | A002166 | A010838 | |
| AĞIRLIK (WEIGHT) | 3,561 kg/m | 5,620 kg/m | 1,748 kg/m | |
| ÇİZİM (DRAWING) | | | | |

| Nr | | KESİM ÖLÇÜSÜ CUTTING SIZE | AKS. KODU ACS. CODE |
|----------|---------------------------|------------------------------|------------------------|
| AR50V36 | A011841 25 L 20 (A002166) | 29,4 mm | 333 L 20 |
| | A011842 25 L 13 (A002058) | 8,7 mm | 252 L 13 |
| R50 H 18 | A011840 25 L 50 (A010848) | 34,3 mm | 334 L 50 |
| | A011840 25 L 50 (A010848) | 34,3 mm | 334 L 50 |

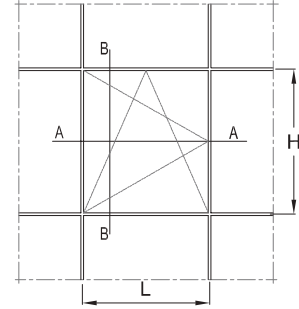
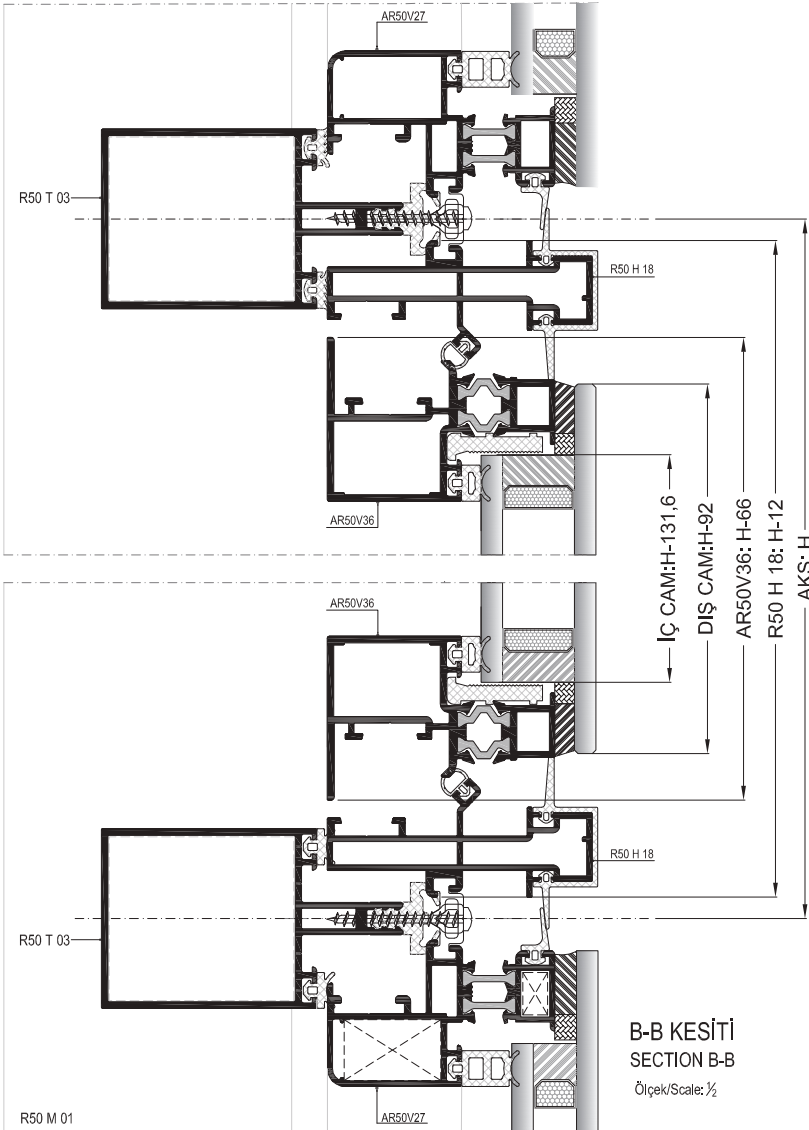
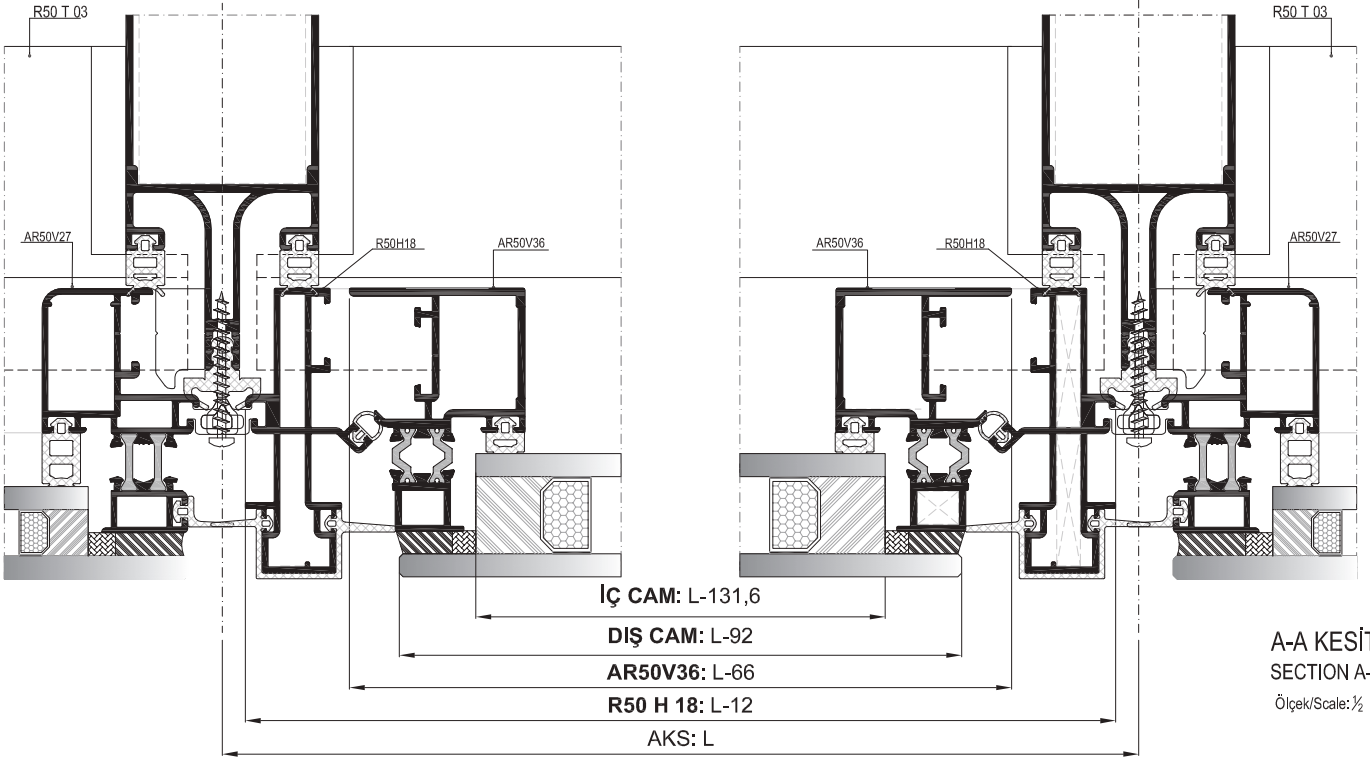
AR50V36 İÇİN / FOR AR50V36

| A | B | C | D | E | F | G | H |
|--------------|--|----------------------------|------------------------------|-------------------------------|-------------------------------------|-------------------------|----------------------------|
| CAM GLASS | DIŞ CAM KALINLIĞI OUTER GLASS THICKNESS | CAM FİTİLİ GLASS GASKET | ORTA FİTİL CENTRAL GASKET | BİNA FİTİLİ CENTRAL GASKET | İÇ CAM FİTİLİ INNER GLASS GASKET | TIRNAK FİTİLİ GASKET | CAM FİTİLİ GLASS GASKET |
| 24 mm | 6 mm | 01.02.27 | 01.07.01 | 01.12.22 | 01.02.23 | 01.08.20 | 01.03.27 |
| 25 mm | 6 mm | 01.02.27 | 01.07.01 | 01.12.22. | 01.02.24 | 01.08.20 | 01.03.27 |
| 26 mm | 6 mm | 01.02.27 | 01.07.01 | 01.12.22. | 01.02.25 | 01.08.20 | 01.03.27 |
| 27 mm | 6 mm | 01.02.27 | 01.07.01 | 01.12.22. | 01.02.26 | 01.08.20 | 01.03.27 |
| 28 mm | 6 mm | 01.02.27 | 01.07.01 | 01.12.22. | 01.02.27 | 01.08.20 | 01.03.27 |
| 29 mm | 6 mm | 01.02.27 | 01.07.01 | 01.12.22. | 01.03.21 | 01.08.20 | 01.03.27 |
| 30 mm | 6 mm | 01.02.27 | 01.07.01 | 01.12.22. | 01.03.22 | 01.08.20 | 01.03.27 |
| 31 mm | 6 mm | 01.02.27 | 01.07.01 | 01.12.22. | 01.03.23 | 01.08.20 | 01.03.27 |
| 32 mm | 6 mm | 01.02.27 | 01.07.01 | 01.12.22. | 01.03.24 | 01.08.20 | 01.03.27 |



SİLİKON CEPHE İÇE AÇILIM GİZLİ KANAT KESİM ÖLÇÜLERİ
CUTTING SIZES FOR SG SYSTEM INSIDE OPENING HIDDEN VENT

R50TT

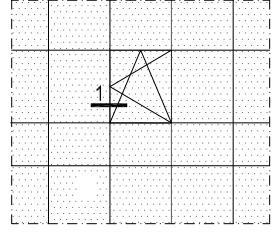


| PROFIL KODU PROFILE NUMBER | KESİM ŞEKLİ CUTTING SHAPE | PROFIL PROFILE | KESİM ÖLÇÜSÜ CUTTING DIMENSION (mm) |
|-------------------------------|------------------------------|-------------------|---|
| R50 H 18 | | | L-12 H-12 |
| AR50V36 | | | L-66 H-66 |
| AR50V27 | | | L-12 H-12 |

R50V36 İÇİN / FOR R50V36

| CAM GLASS | ŞEKİL SHAPE | KESİM ÖLÇÜSÜ CUTTING DIMENSION (mm) |
|--------------|----------------|---|
| DIŞ CAM | | L-92 H-92 |
| İÇ CAM | | L-131,6 H-131,6 |

SİLİKON CEPHE ÇİFT AÇILIM DETAYI
TILT&TURN OPENNING HIDDEN VENT DETAIL



01

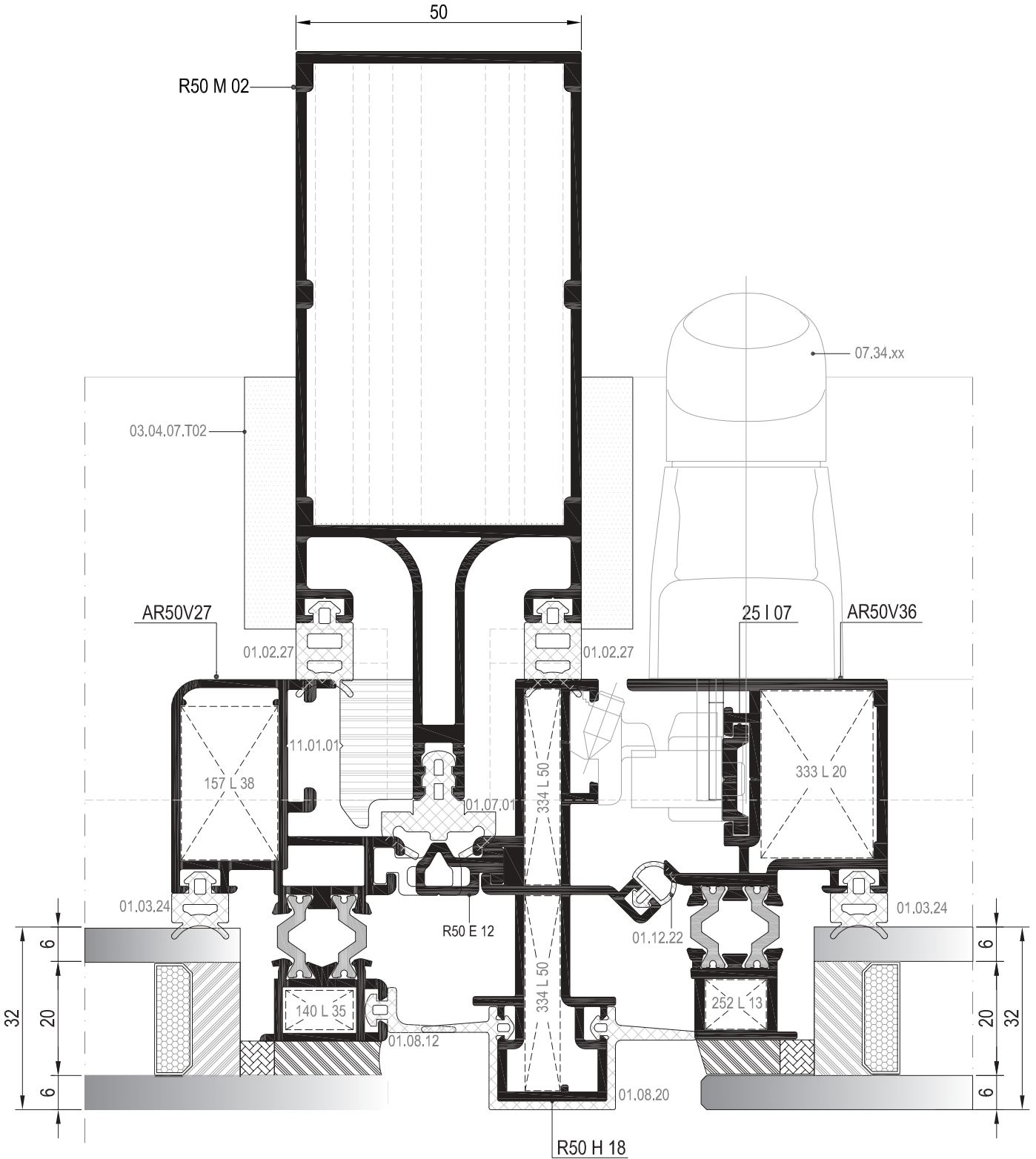
02

03

04

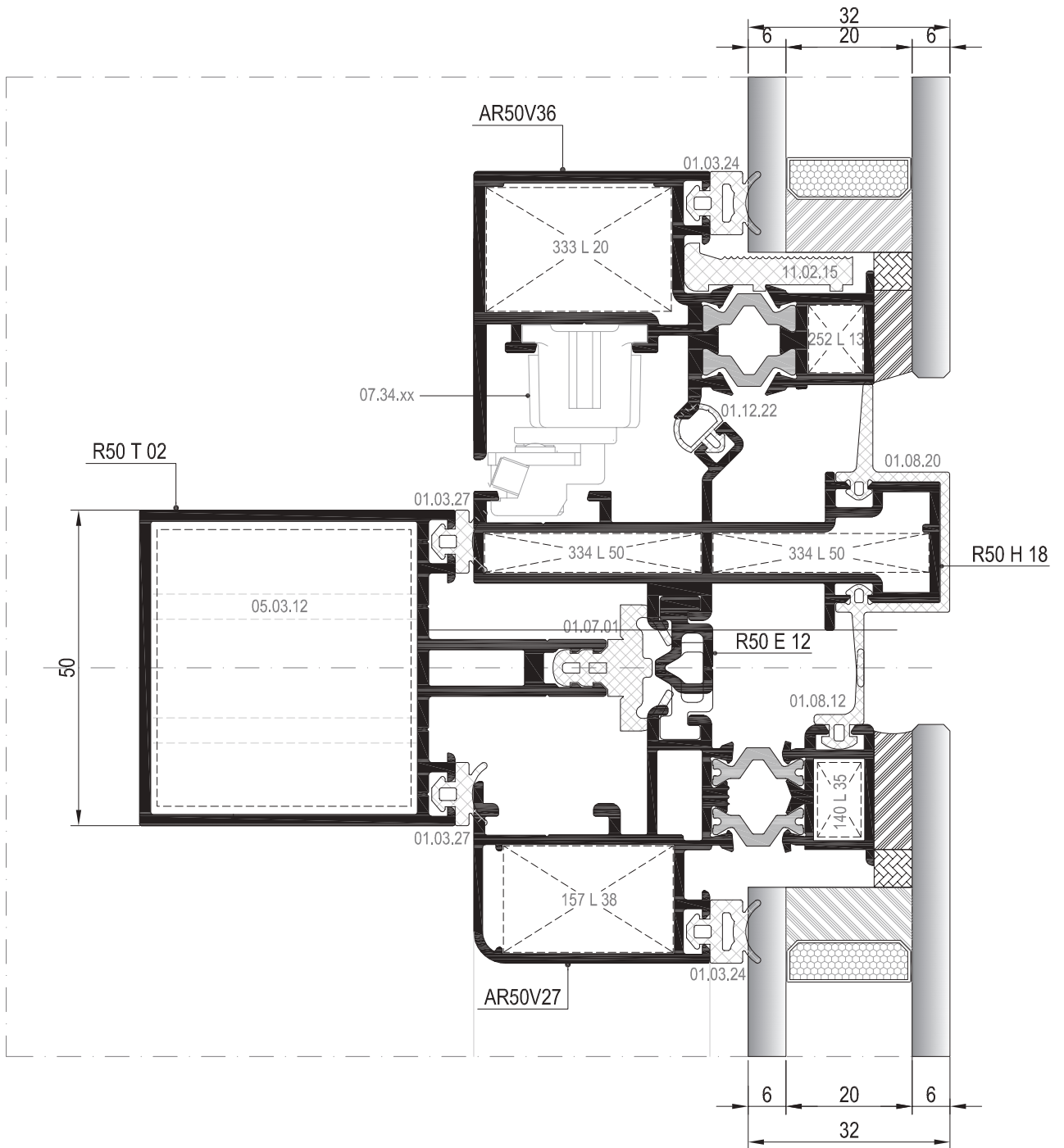
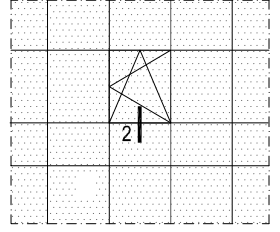
05

06



① DETAYI
DETAIL

SİLİKON CEPHE ÇİFT AÇILIM DETAYI
TILT&TURN OPENING HIDDEN VENT DETAIL



② DETAYI
DETAIL

MİMARİ KATALOG

ARCHITECTURAL CATALOGUE

Alüminyum Kapı Pencere ve Giydirme Cephe Sistemleri
Aluminium Window Doors and Facade Systems

R50

DETAYLAR

DETAILS

KAPAKLI CEPHE SİSTEMİ

COVER CAP SYSTEM

01

02

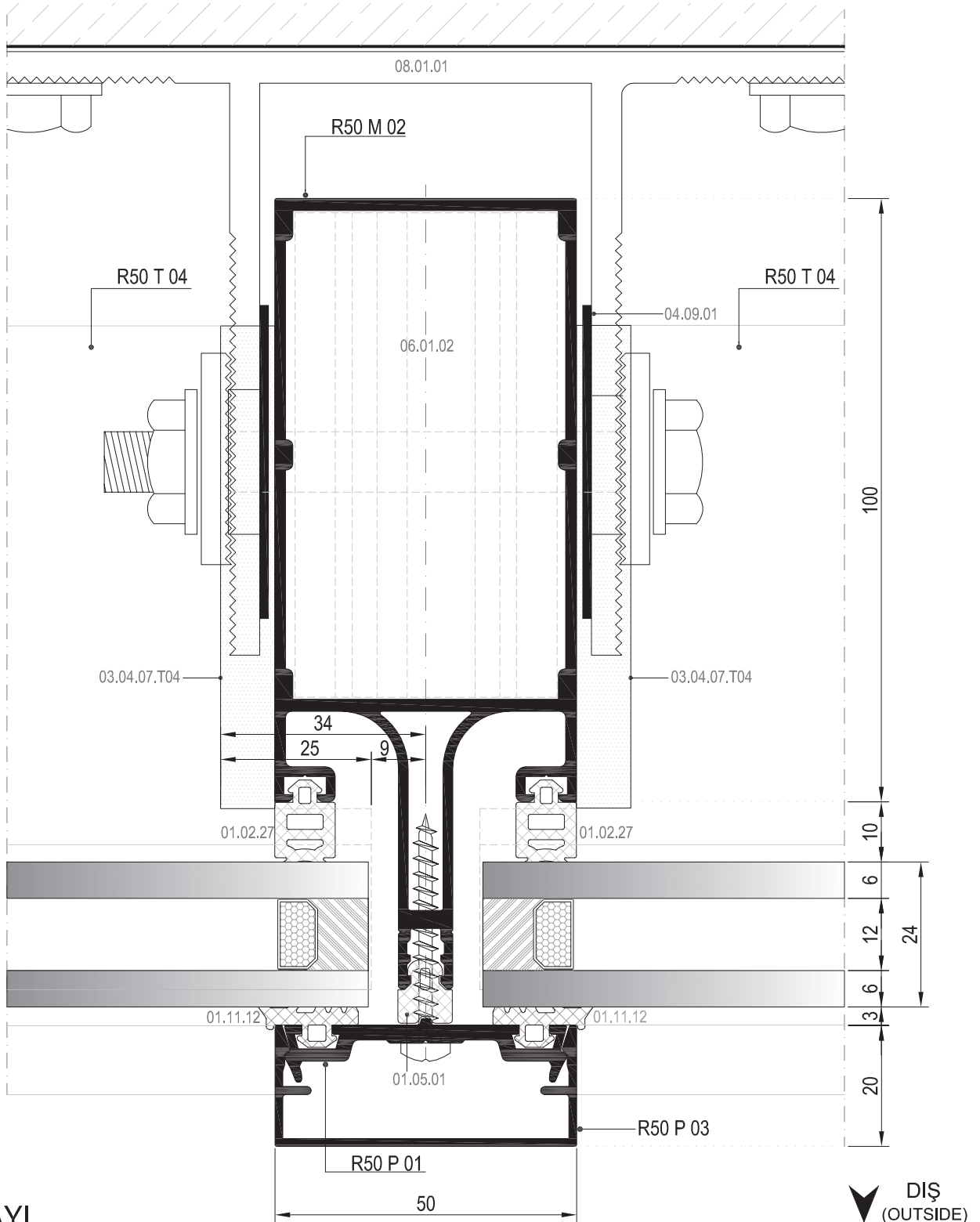
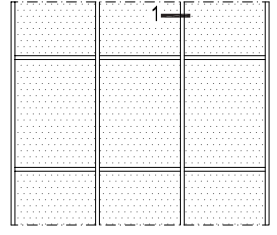
03

04

05

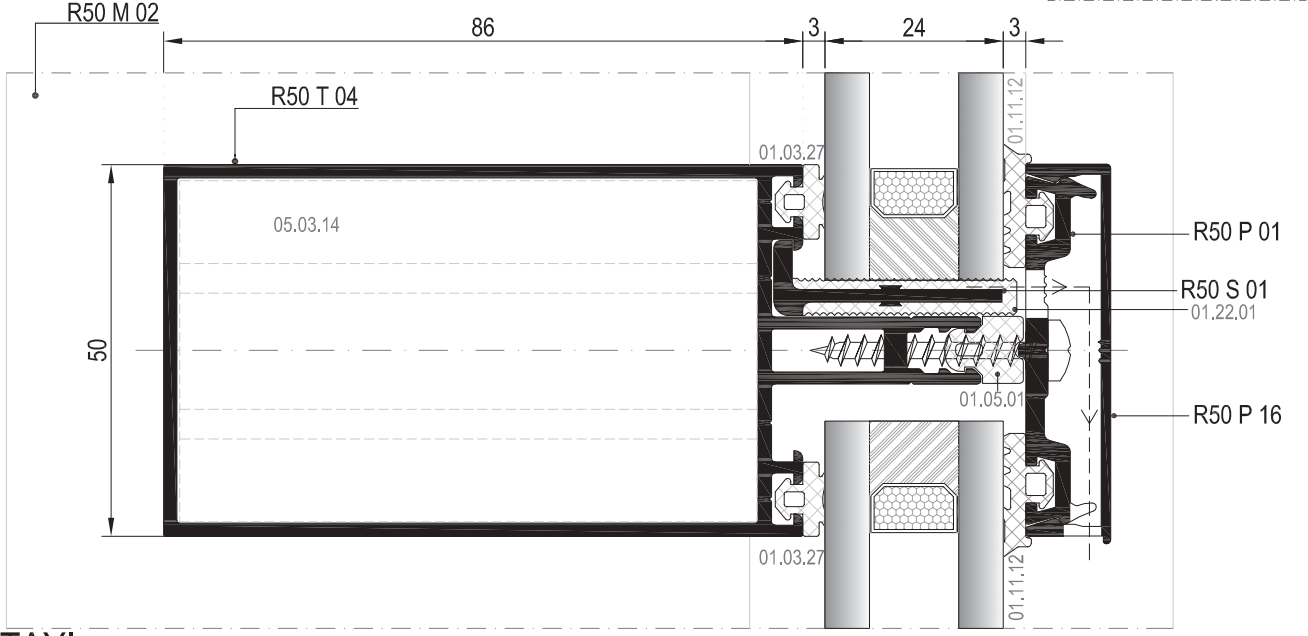
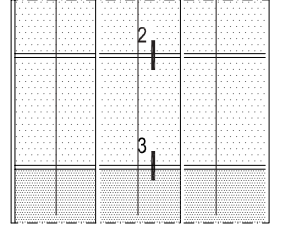
06

KAPAKLI CEPHE DÜŞEY DETAYI
CURTAIN WALL VERTICAL DETAIL

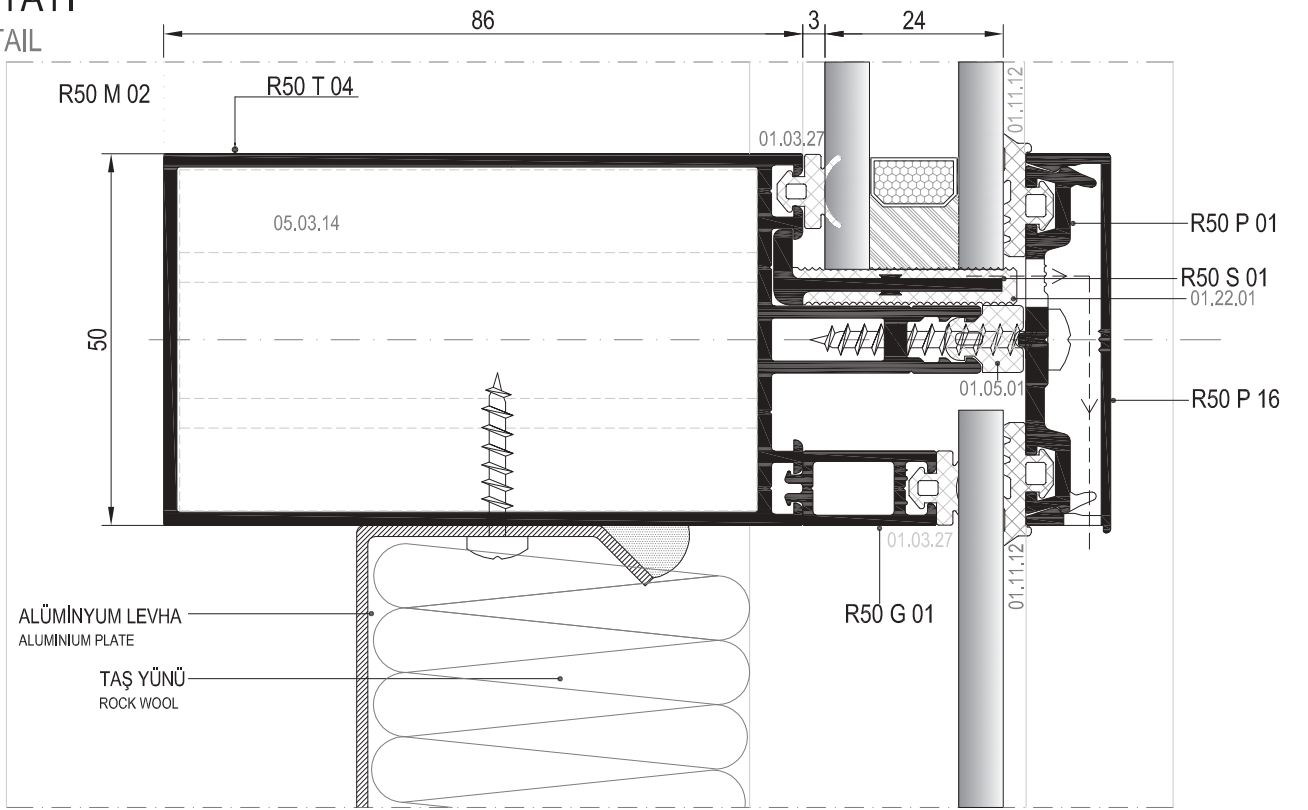


① DETAYI
DETAIL

KAPAKLI CEPHE YATAY DETAYI
CURTAIN WALL HORIZONTAL DETAIL



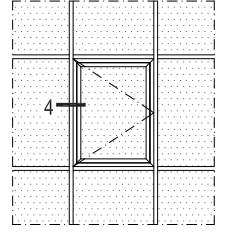
② DETAYI
DETAIL



③ DETAYI
DETAIL

DIŞ
(OUTSIDE) →

KAPAKLI CEPHE İÇİNDE AÇILIR KANAT DETAYI
VENT DETAIL FOR CURTAIN WALL



01

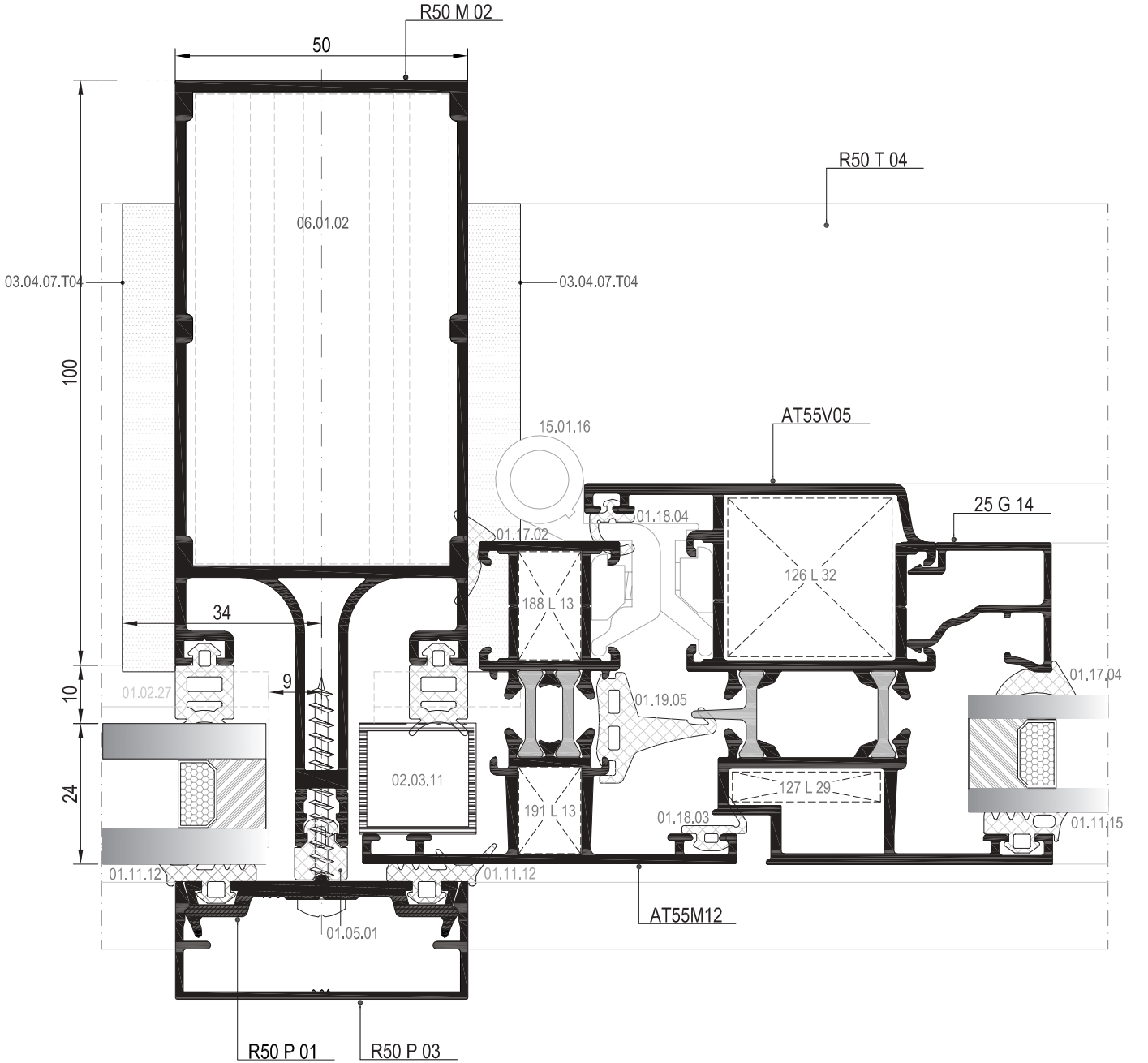
02

03

04

05

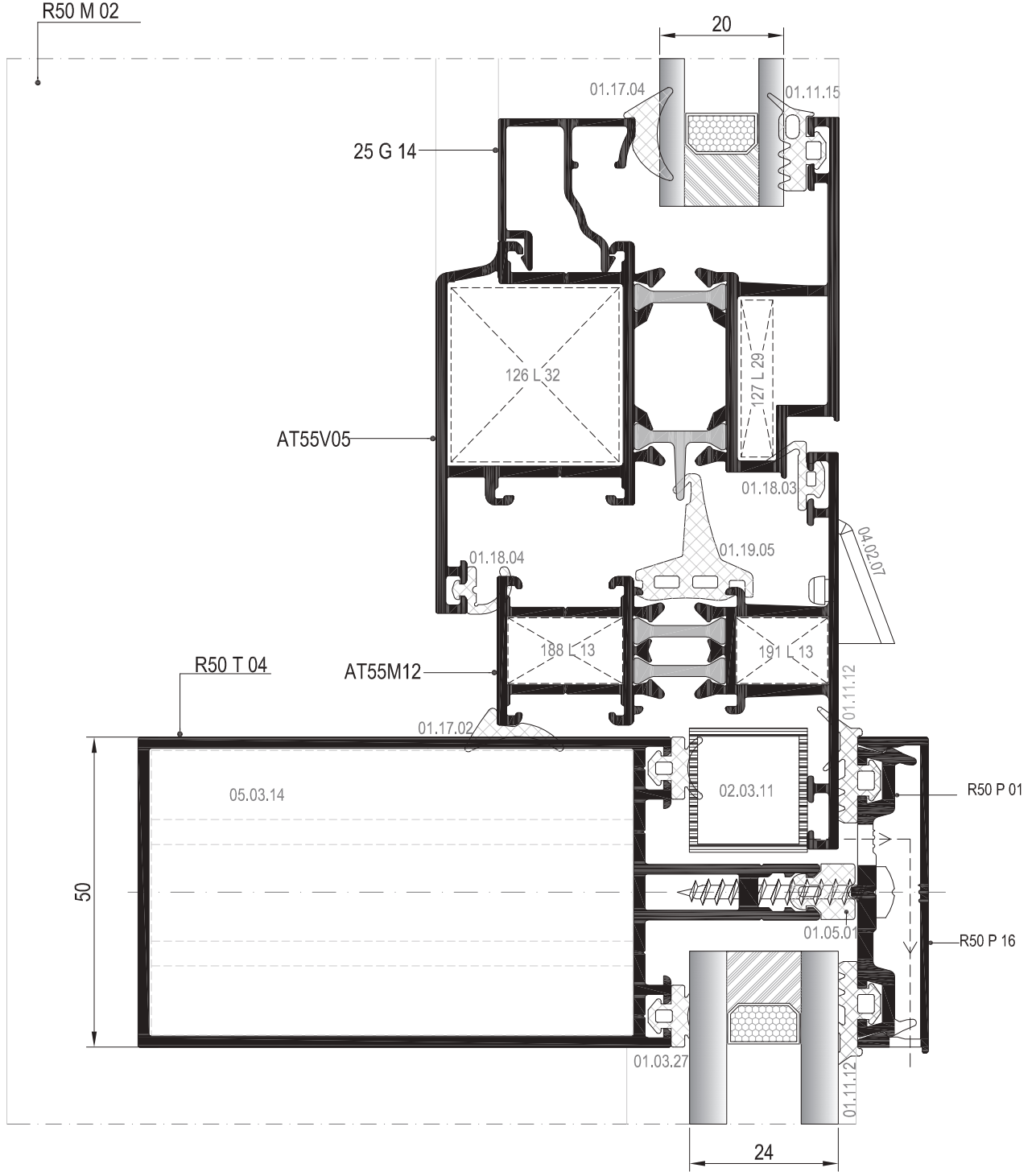
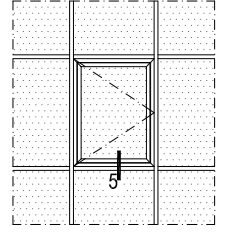
06



4 DETAYI
DETAIL

DIŞ
(OUTSIDE)

KAPAKLI CEPHE İÇİNDE AÇILIR KANAT DETAYI
VENT DETAIL FOR CURTAIN WALL



01

02

03

04

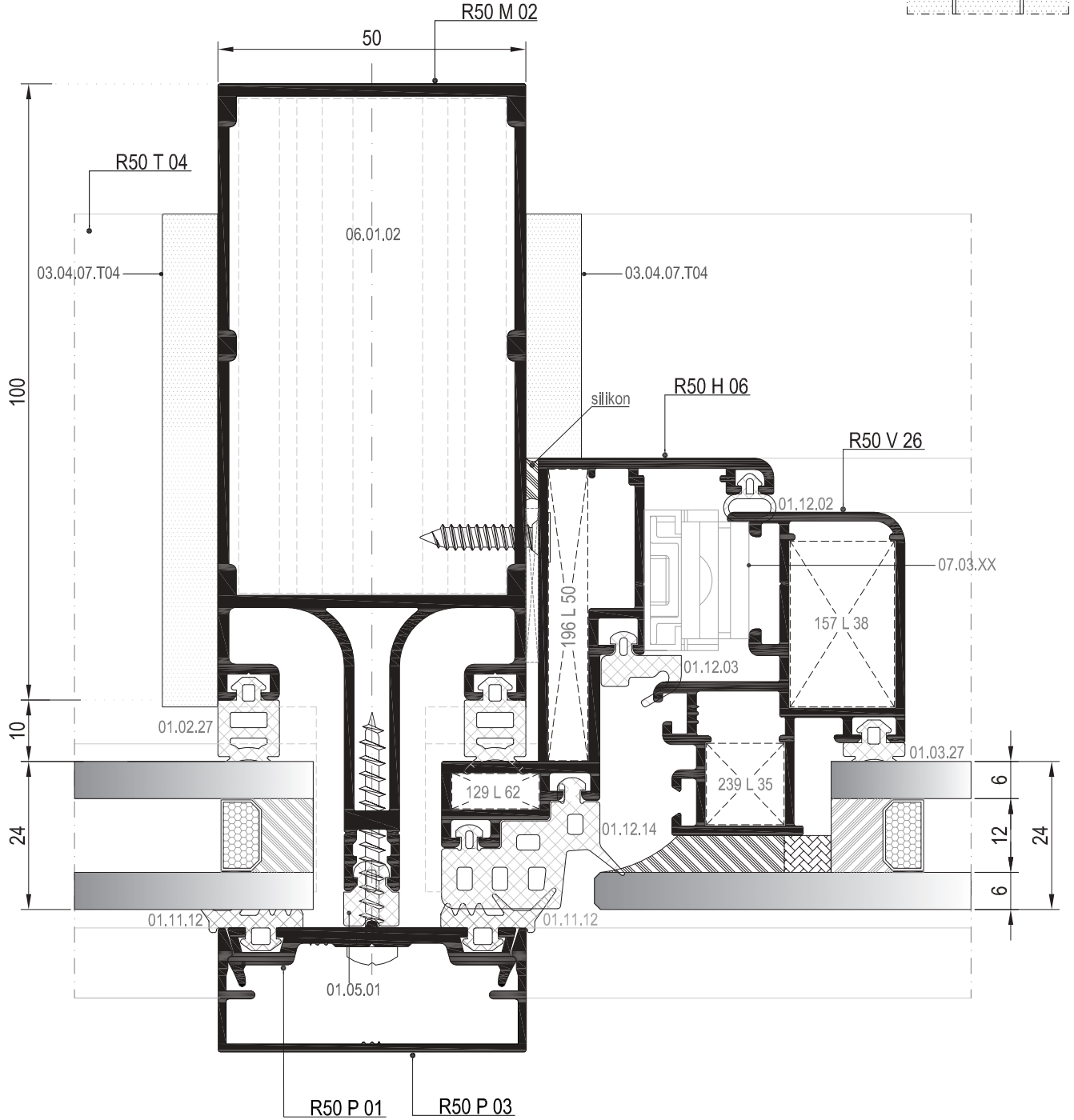
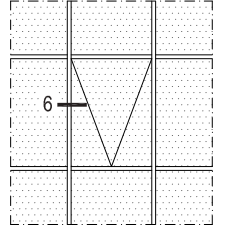
05

06

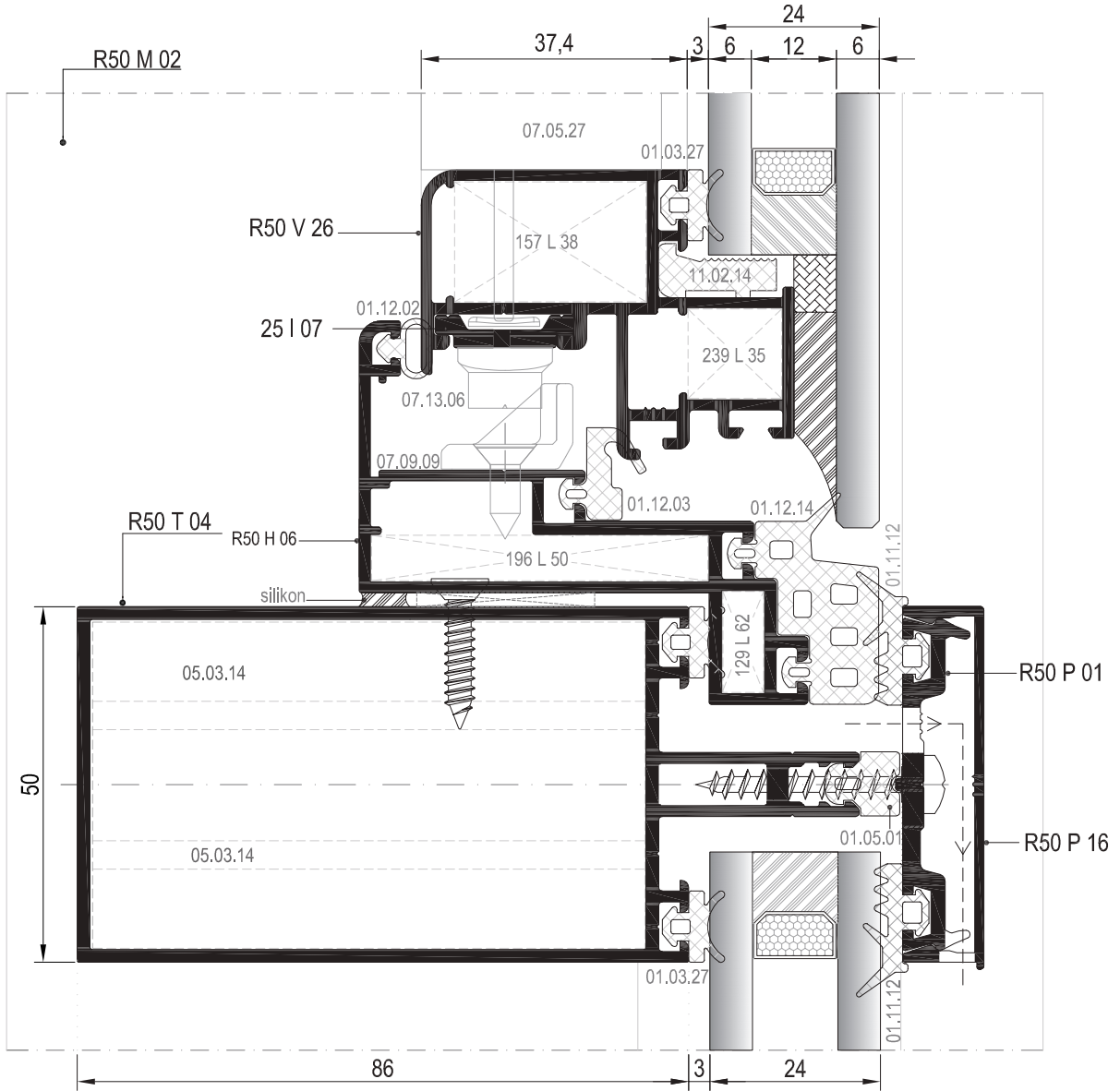
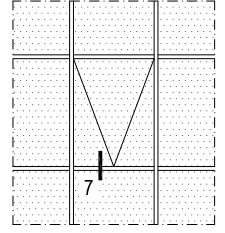
5 DETAYI
DETAIL

DIŞ
(OUTSIDE) ➔

KAPAKLI CEPHE GİZLİ KANAT DÜŞEY DETAYI
HIDDEN VENT DETAIL FOR CURTAIN WALL



KAPAKLI CEPHE GİZLİ KANAT YATAY DETAYI
HIDDEN VENT DETAIL FOR CURTAIN WALL



01

02

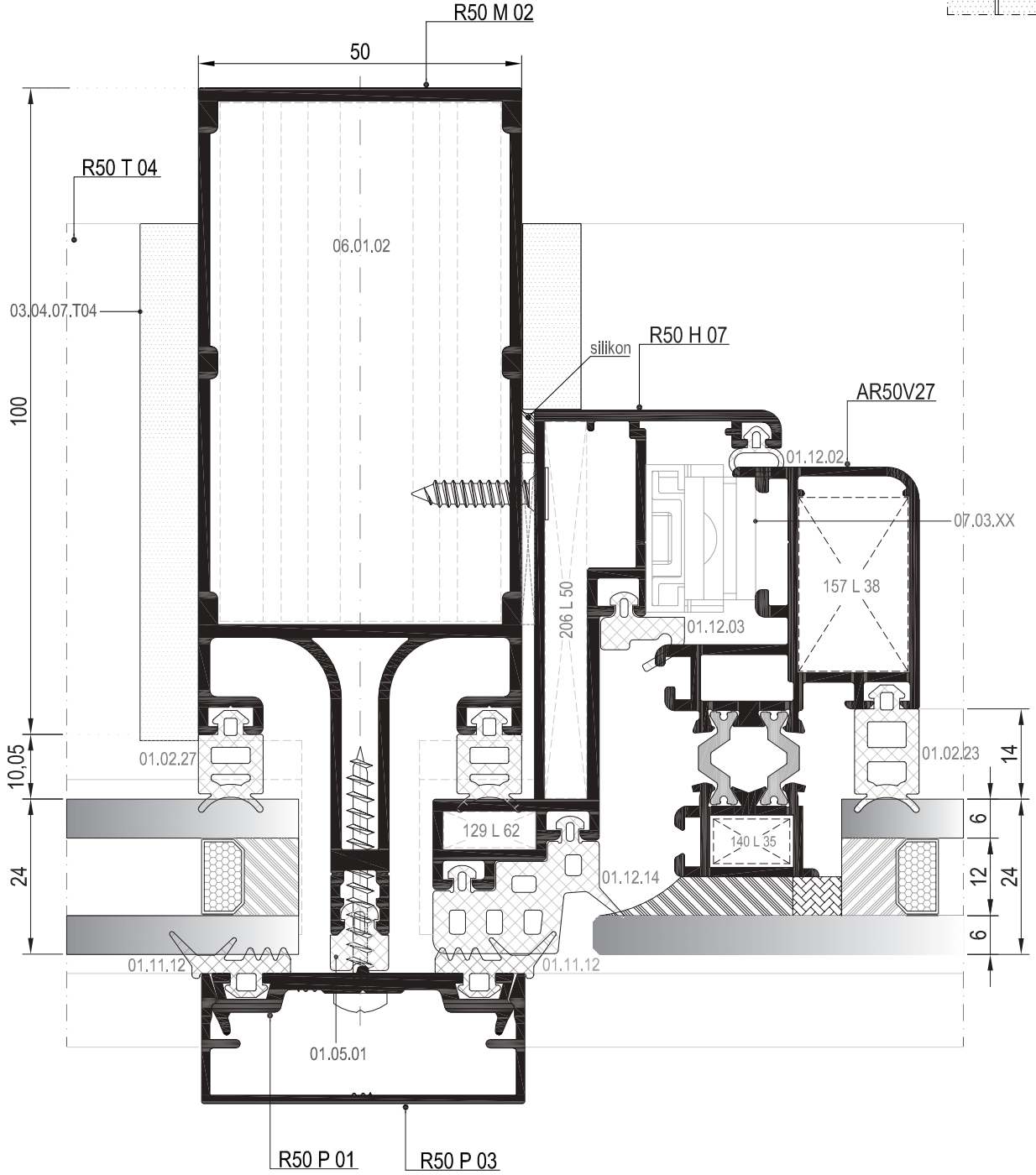
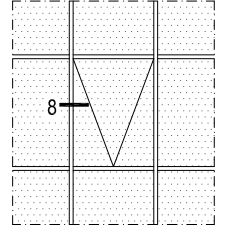
03

04

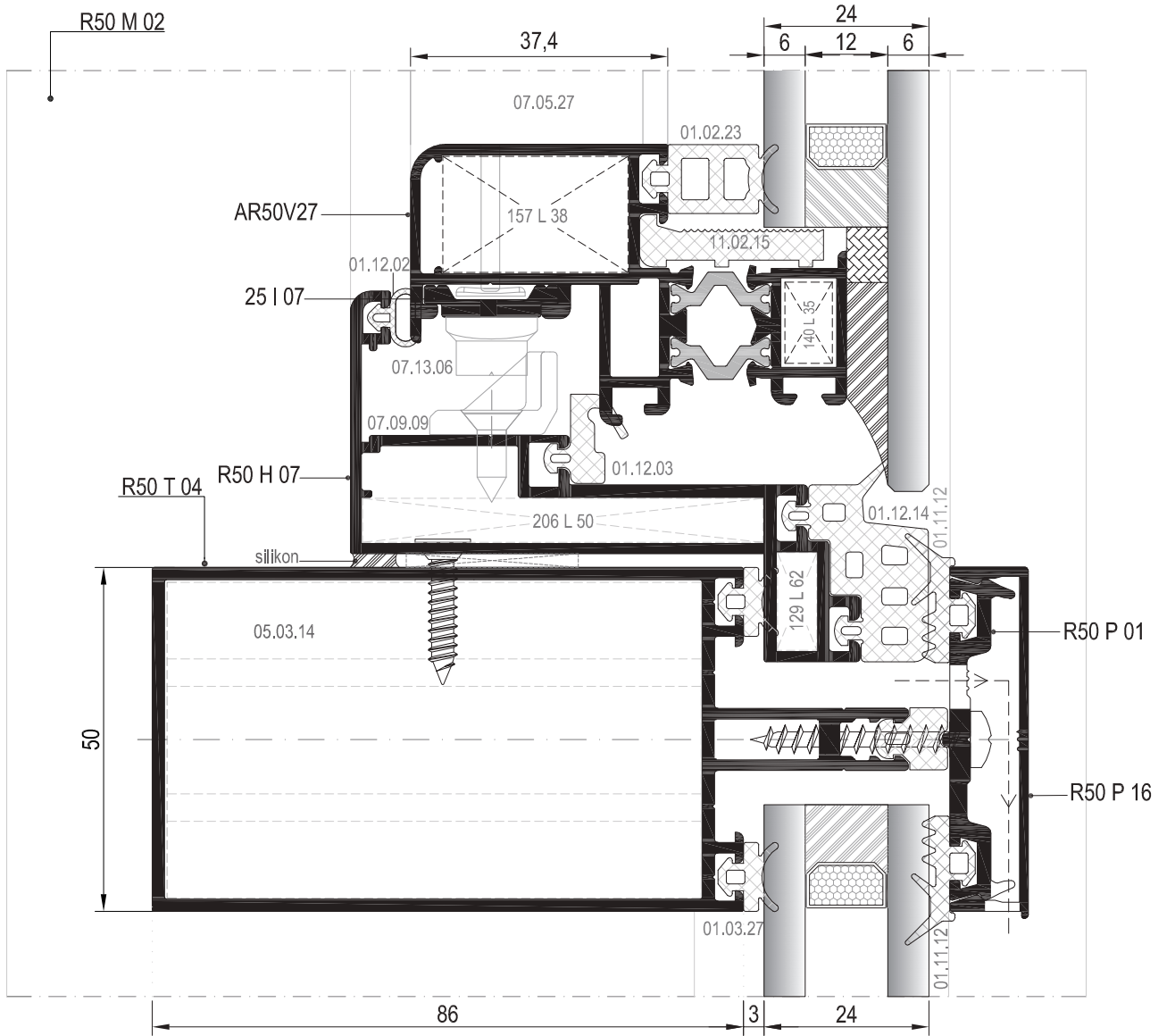
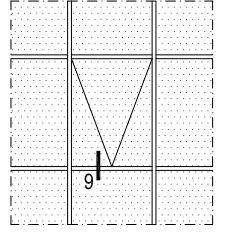
05

06

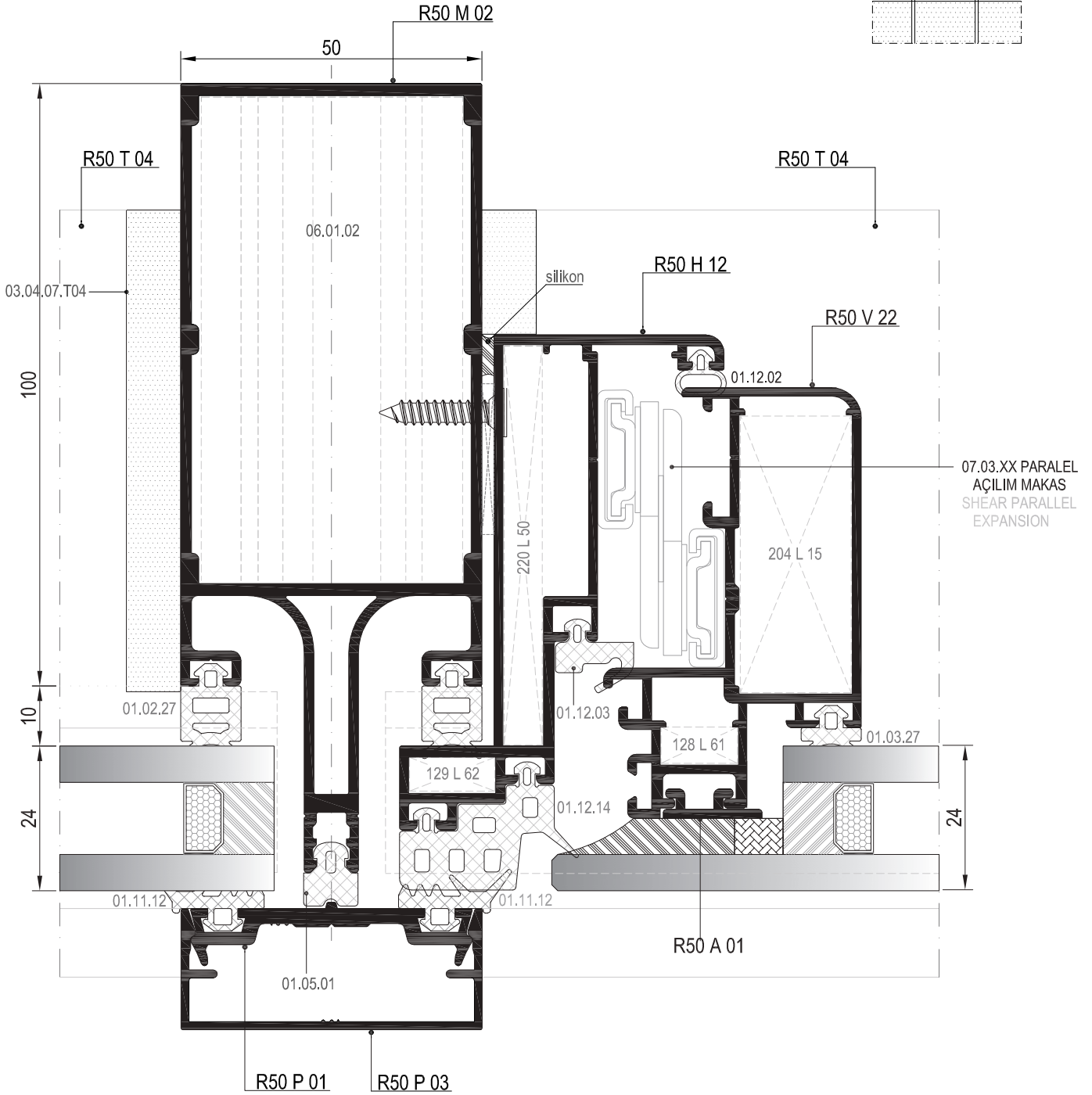
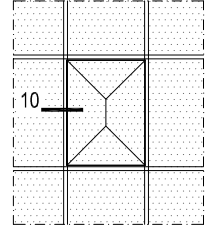
KAPAKLI CEPHE YALITIMLI GİZLİ KANAT DÜŞEY DETAYI
INSULATED HIDDEN VENT DETAIL FOR CURTAIN WALL



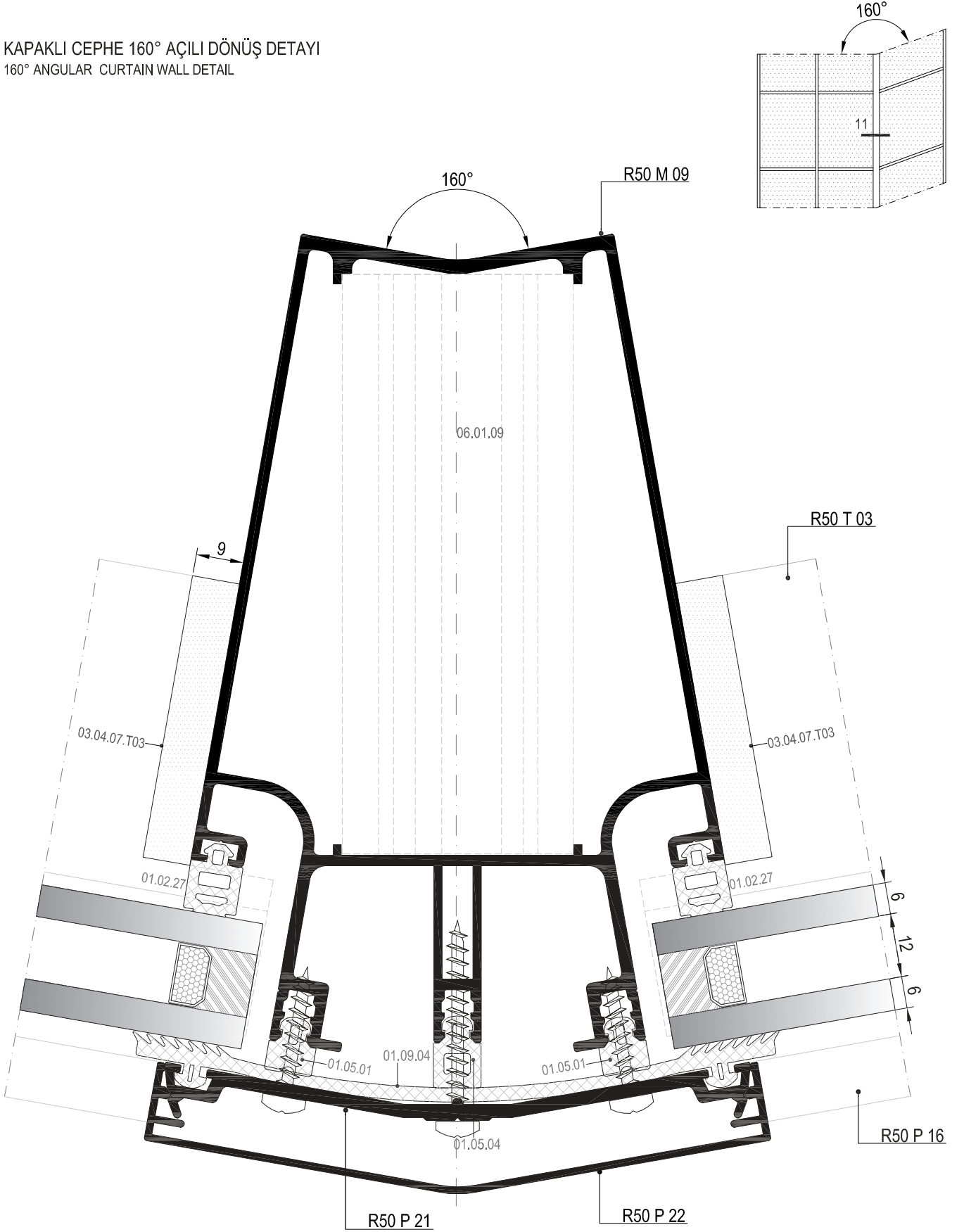
KAPAKLI CEPHE YALITIMLI GİZLİ KANAT YATAY DETAYI
INSULATED HIDDEN VENT DETAIL FOR CURTAIN WALL



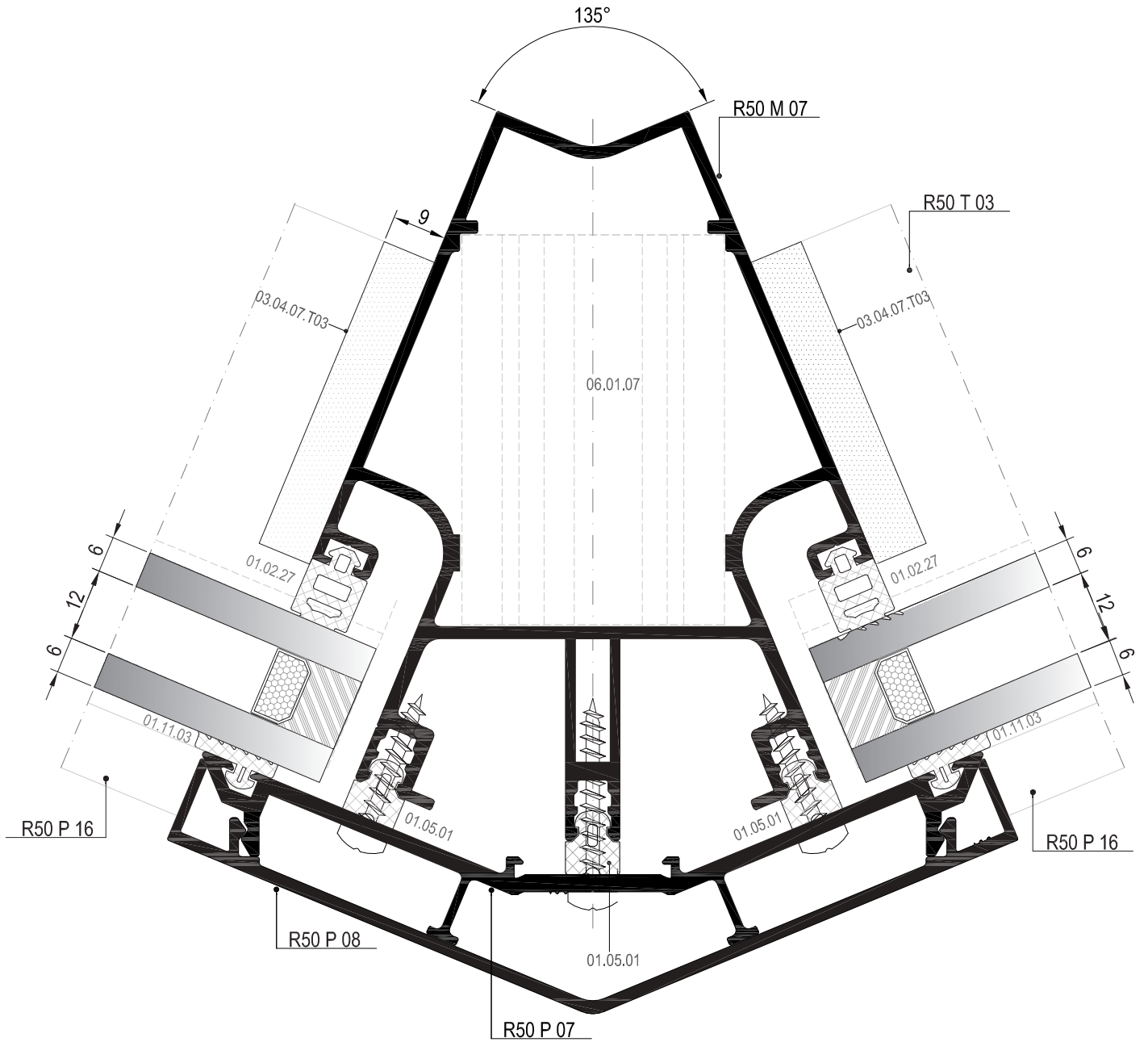
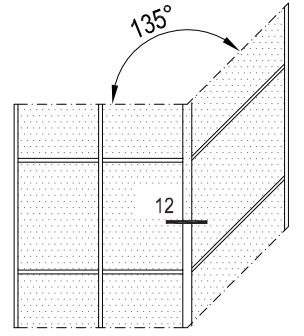
KAPAKLI CEPHE PARALEL AÇILIM GİZLİ KANAT DETAYI
PARALLEL OPENING HIDDEN VENT DETAIL FOR CURTAIN WALL



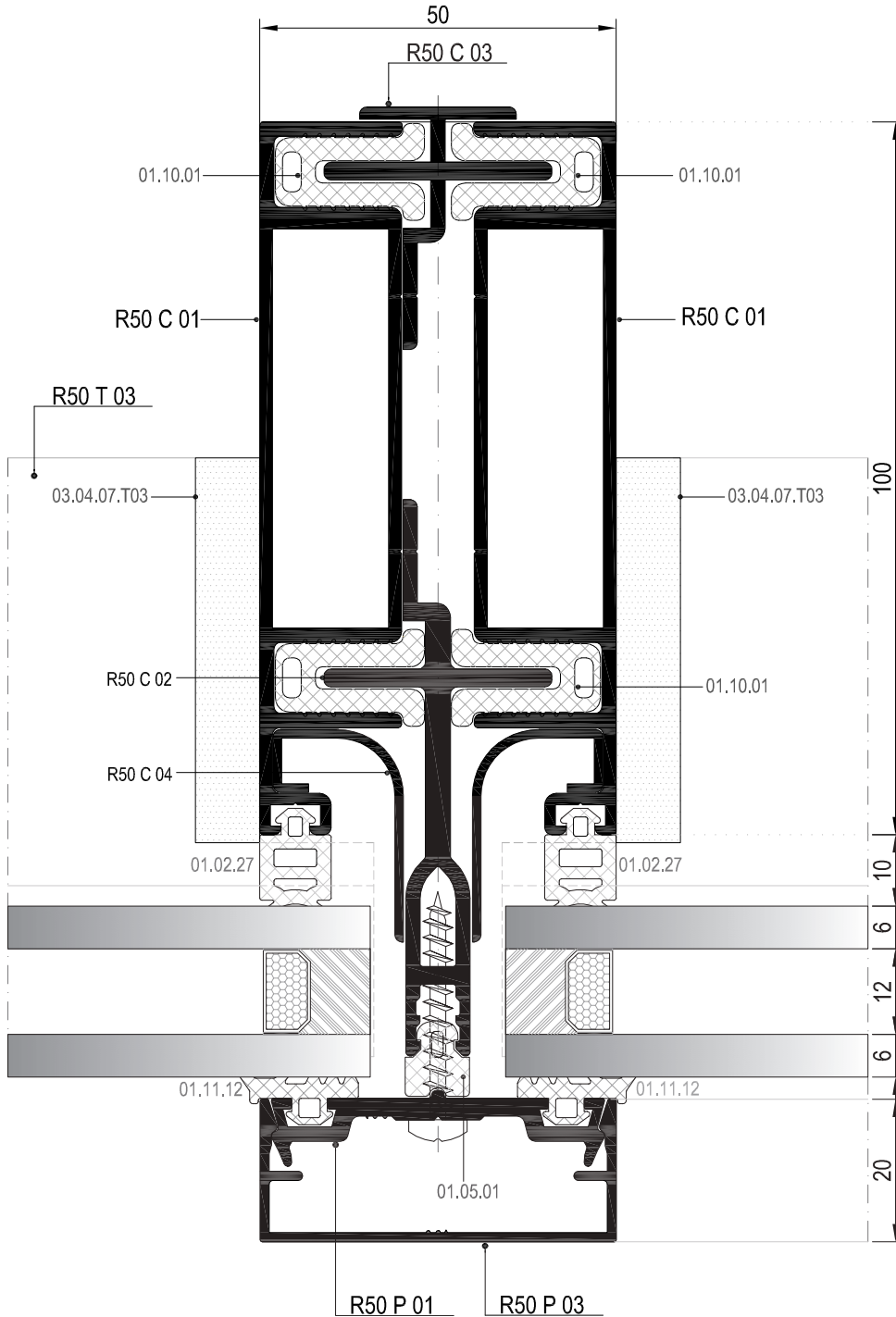
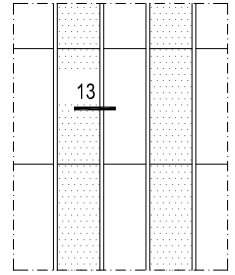
KAPAKLI CEPHE 160° AÇILI DÖNÜŞ DETAYI
160° ANGULAR CURTAIN WALL DETAIL



KAPAKLI CEPHE 135° AÇILI DÖNÜŞ DETAYI
135° ANGULAR CURTAIN WALL DETAIL



KAPAKLI CEPHE DİLETASYON DETAYI
DILATION DETAIL FOR CURTAIN WALL



01

02

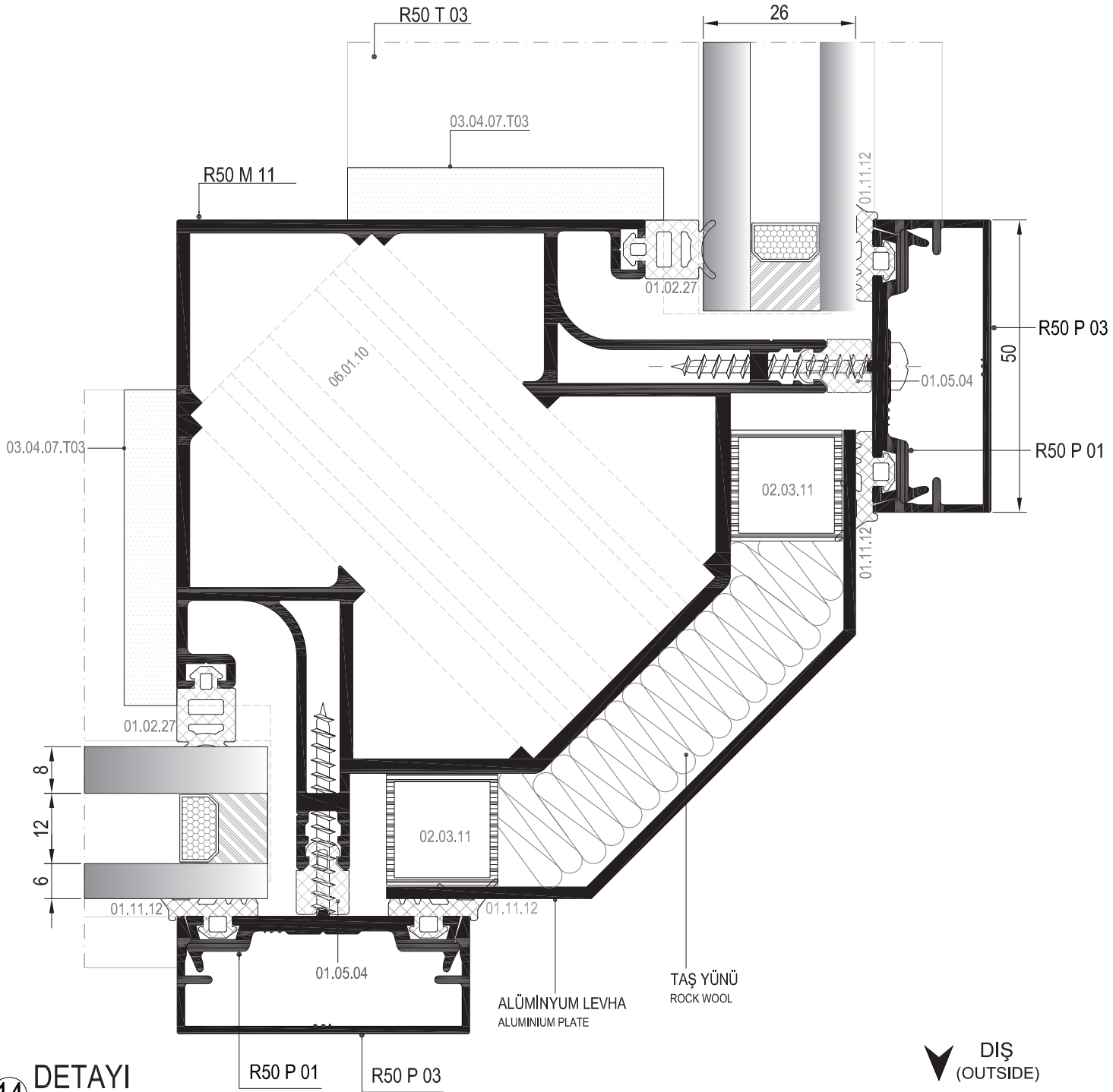
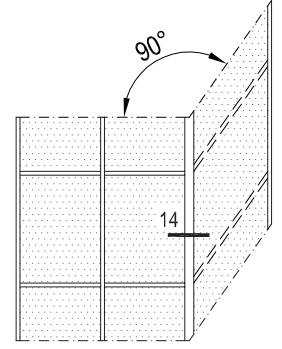
03

04

05

06

KAPAKLI CEPHE 90° KÖŞE DÖNÜŞ DETAYI
90° ANGULAR DETAIL FOR CURTAIN WALL



14 DETAYI
DETAIL

MİMARİ KATALOG

ARCHITECTURAL CATALOGUE

Alüminyum Kapı Pencere ve Giydirme Cephe Sistemleri
Aluminium Window Doors and Facade Systems

R50

DETAYLAR

DETAILS

ÇELİK TAKVİYELİ CEPHE SİSTEMİ

STEEL REINFORCEMENT SYSTEM

01

02

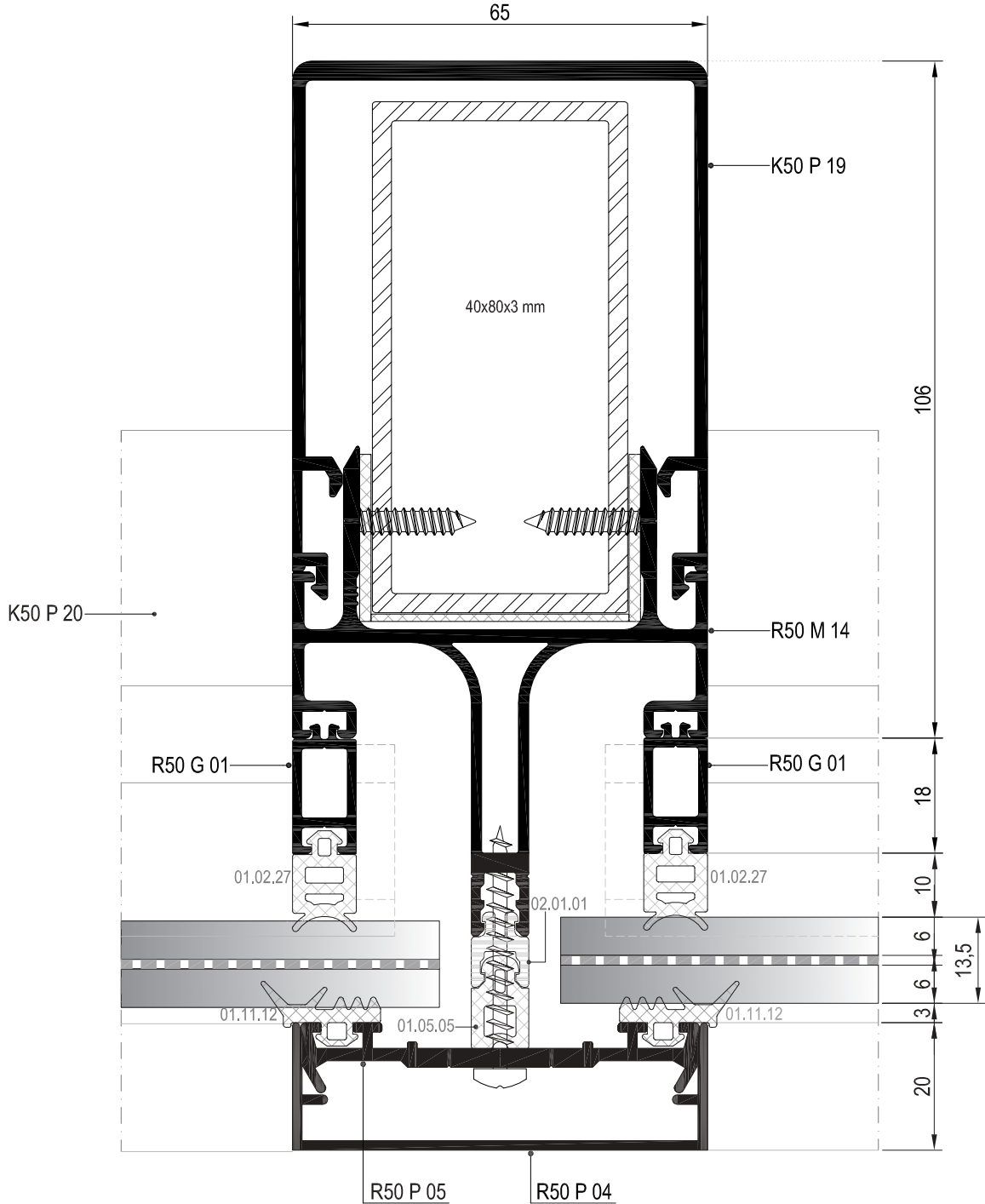
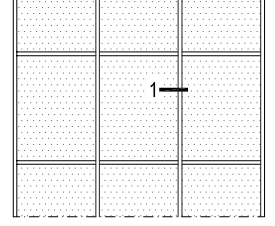
03

04

05

06

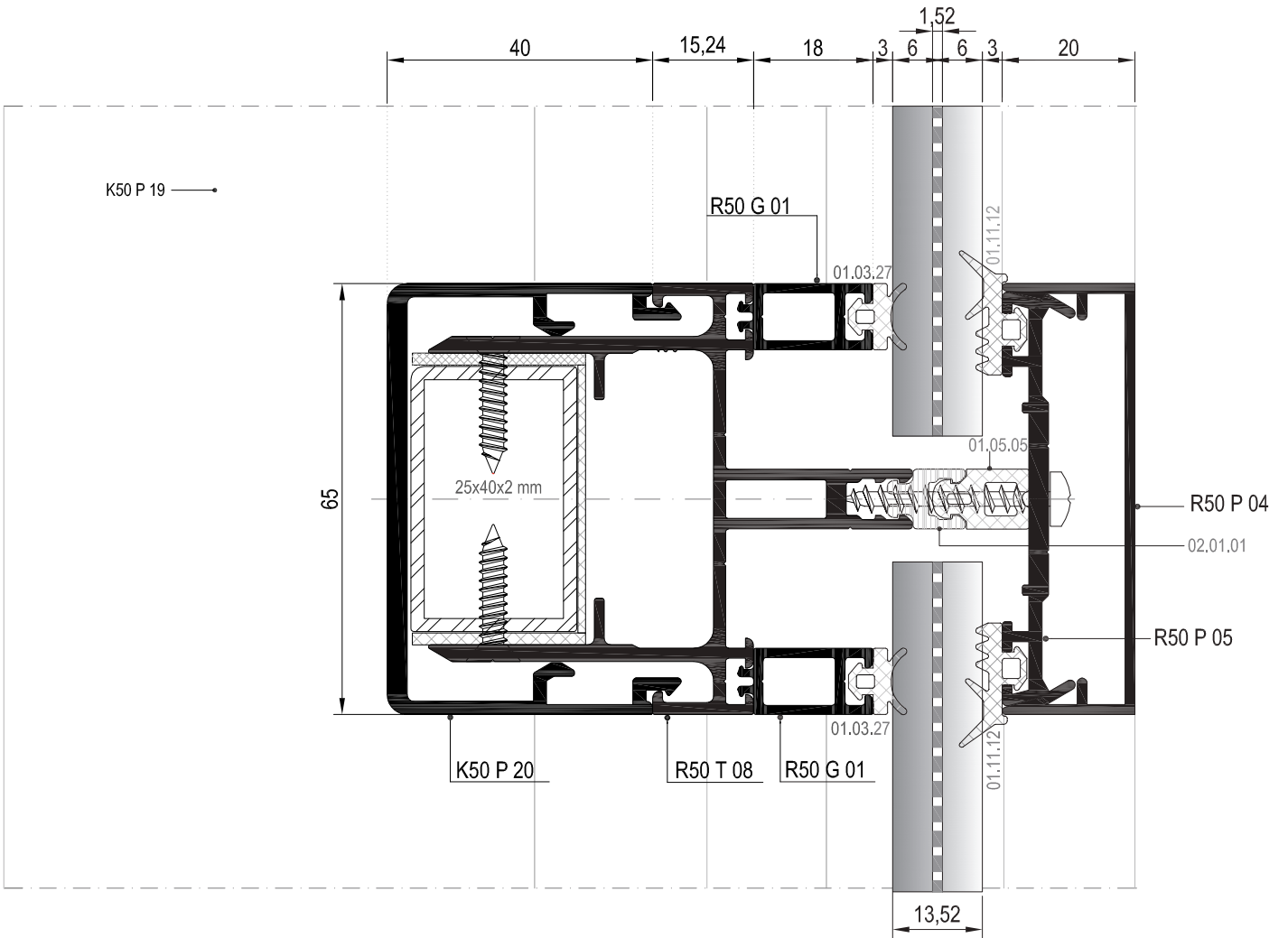
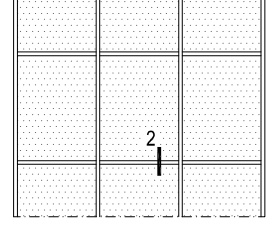
ÇELİK TAKVİYELİ CEPHE DÜŞEY DETAYI
STEEL REINFORCEMENT SYSTEM VERTICAL DETAIL



① DETAYI
DETAIL

DIŞ
(OUTSIDE)

ÇELİK TAKVİYELİ CEPHE YATAY DETAYI
STEEL REINFORCEMENT SYSTEM HORIZONTAL DETAIL



MİMARİ KATALOG

ARCHITECTURAL CATALOGUE

Alüminyum Kapı Pencere ve Giydirme Cephe Sistemleri
Aluminium Window Doors and Facade Systems

R50

DETAYLAR

DETAILS

SİLİKON CEPHE SİSTEMİ

STRUCTURAL GLAZING SYSTEM

01

02

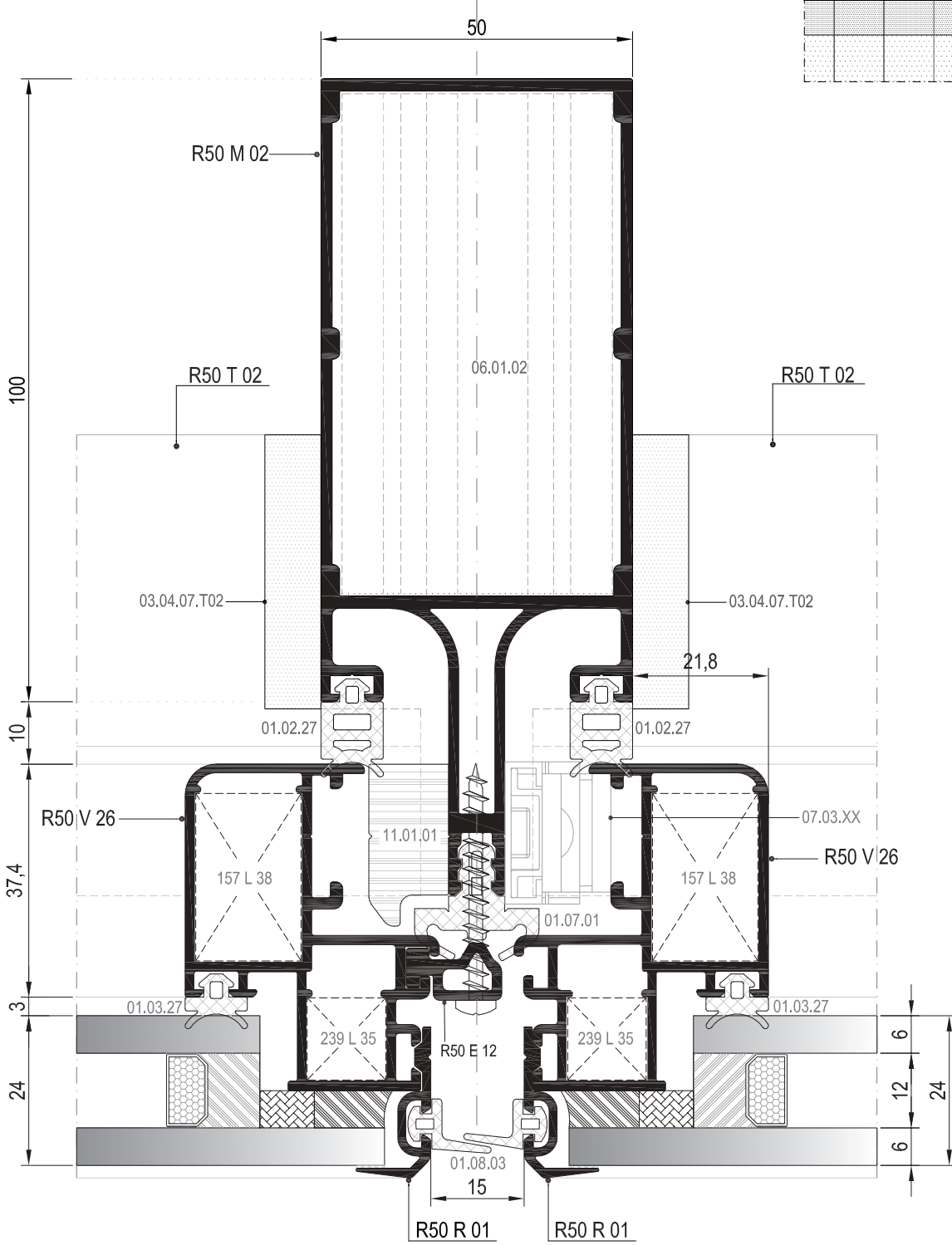
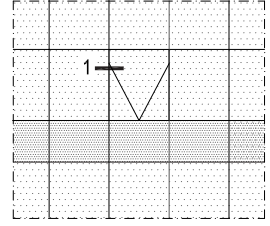
03

04

05

06

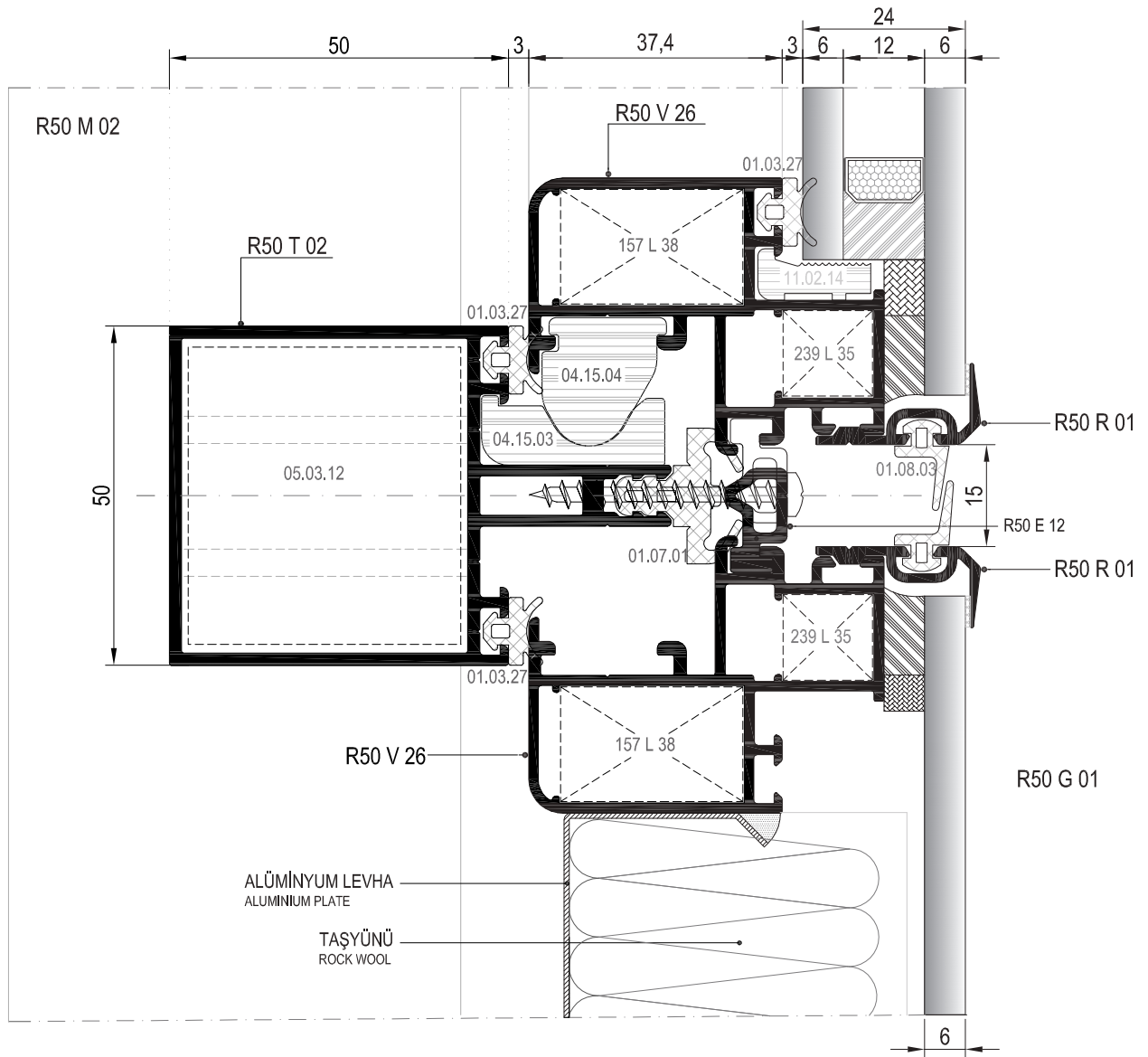
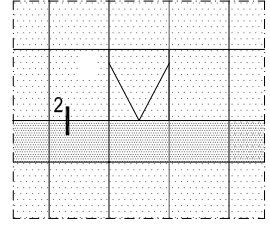
SİLİKON CEPHE DÜŞEY DETAYI
STRUCTURAL GLAZING VERTICAL DETAIL



① DETAYI
DETAIL

DIŞ
(OUTSIDE)

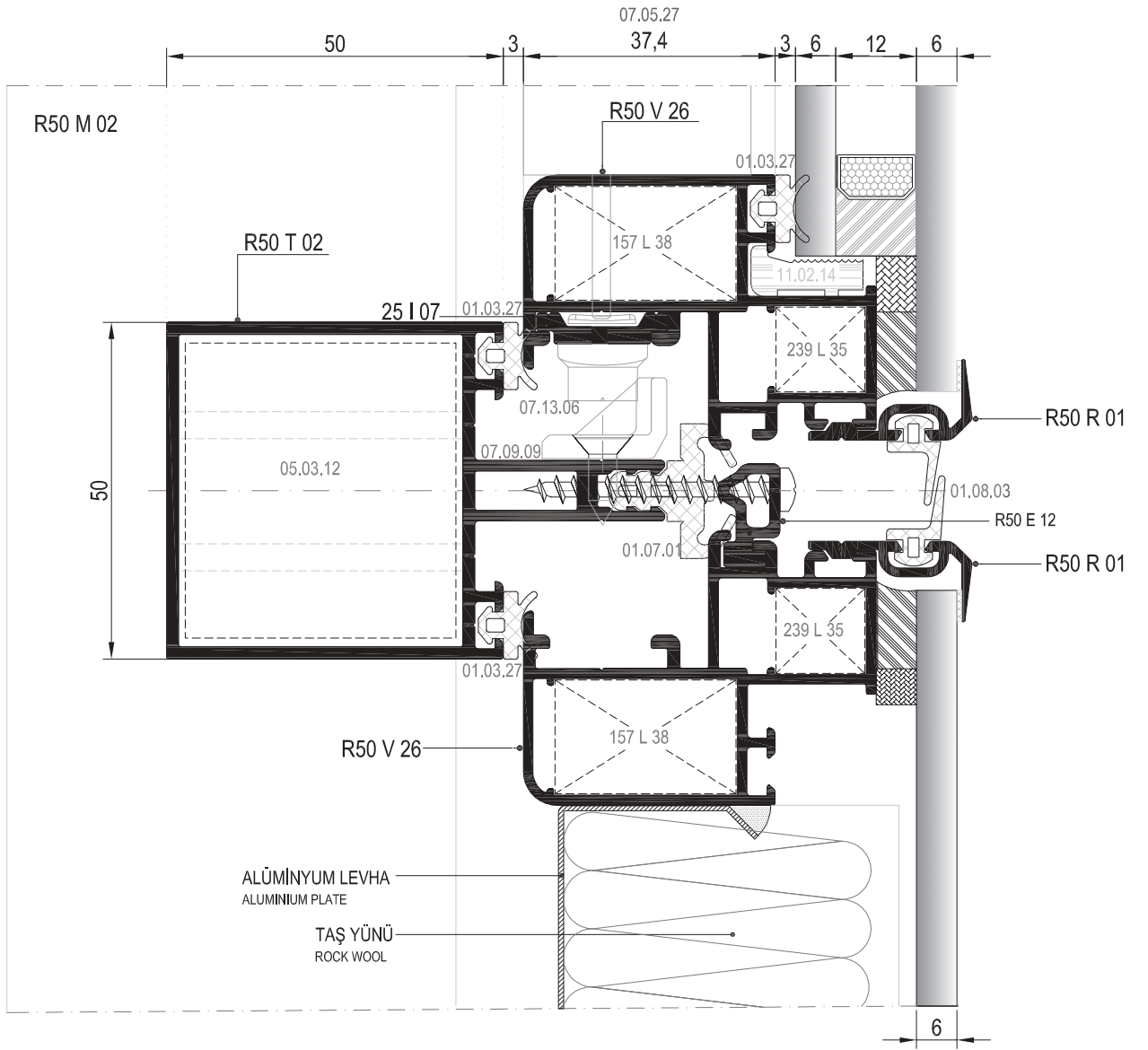
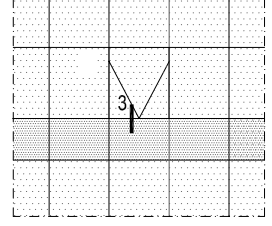
SİLİKON CEPHE YATAY DETAYI
STRUCTURAL GLAZING HORIZONTAL DETAIL



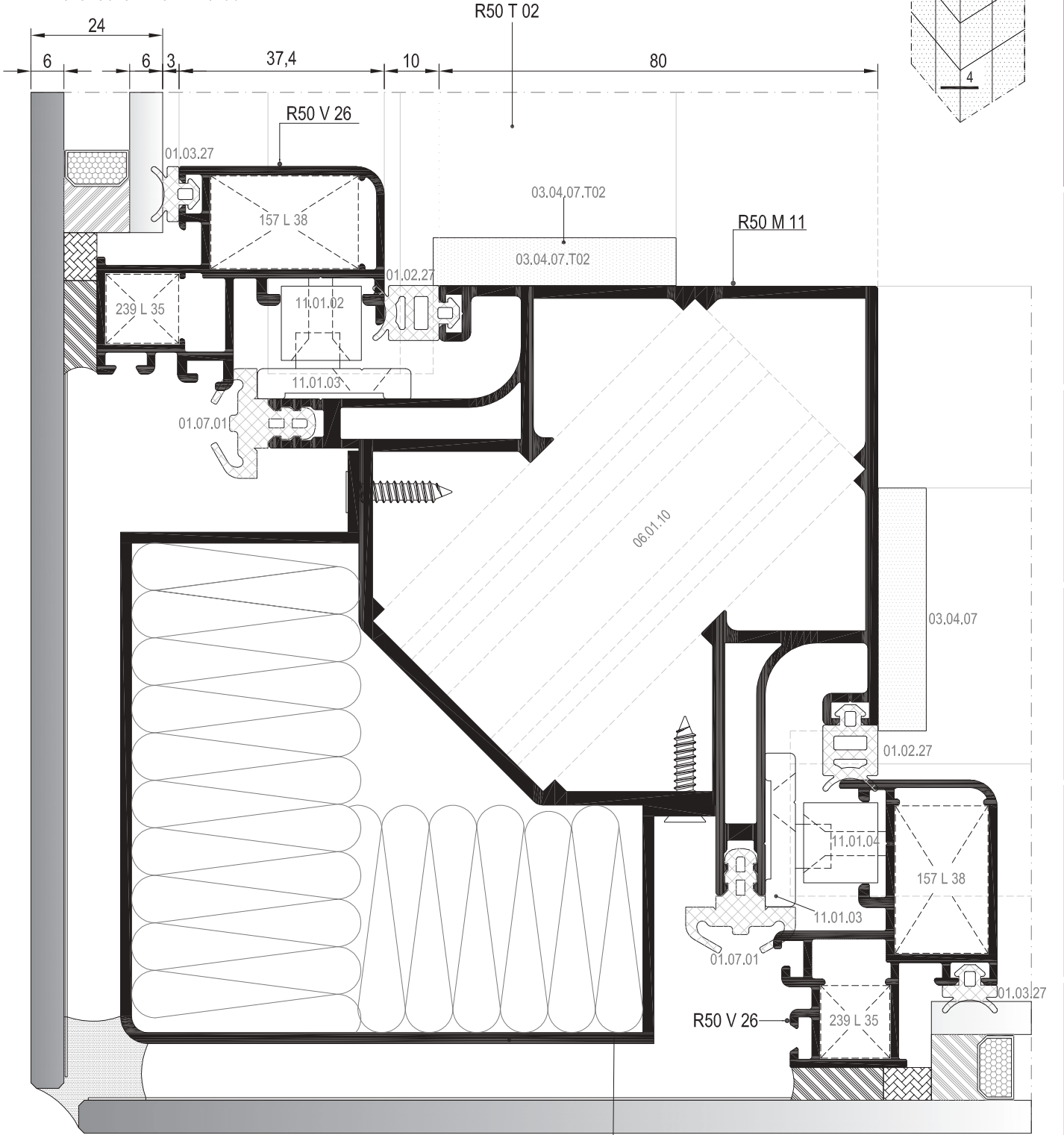
② DETAYI
DETAIL

DIŞ
(OUTSIDE) ➔

SİLİKON CEPHE GİZLİ KANAT YATAY DETAYI
STRUCTURAL GLAZING HIDDEN VENT HORIZONTAL DETAIL



SİLİKON CEPHE KÖŞE DÖNÜŞ DETAYI
STRUCTURAL GLAZING CORNER DETAIL



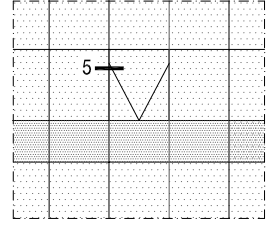
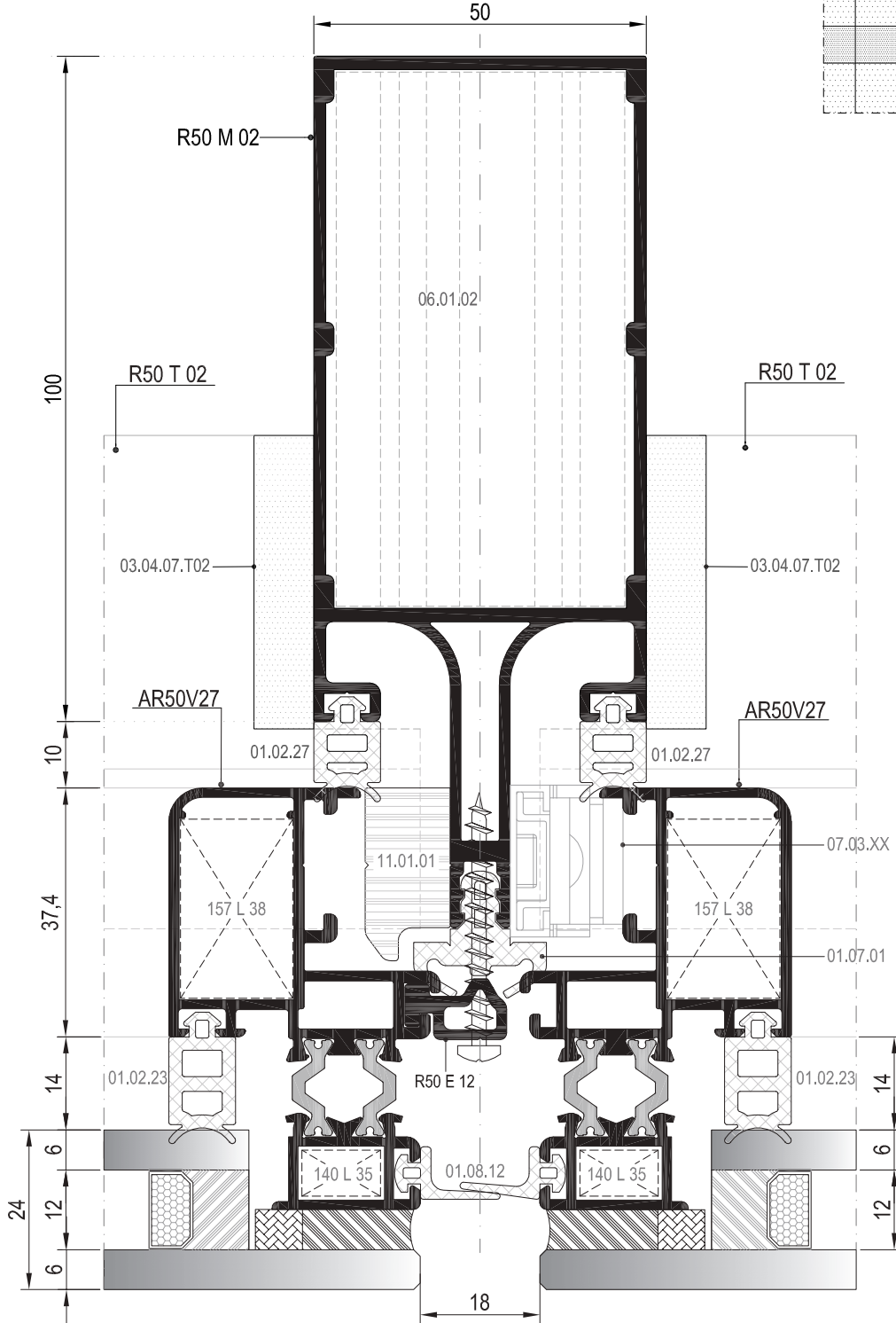
ALÜMİNYUM LEVHA
ALUMINIUM PLATE

**ALÜMİNYUM PANEL SİYAH ELOKSAL (AS-M4) OLMALIDIR.
ALUMINIUM PLATE MUST BE BLACK ANODISED (AS-M4).

4 DETAYI
DETAIL

DIŞ
(OUTSIDE)

SİLİKON CEPHE DÜŞEY DETAYI
STRUCTURAL GLAZING VERTICAL DETAIL



01

02

03

04

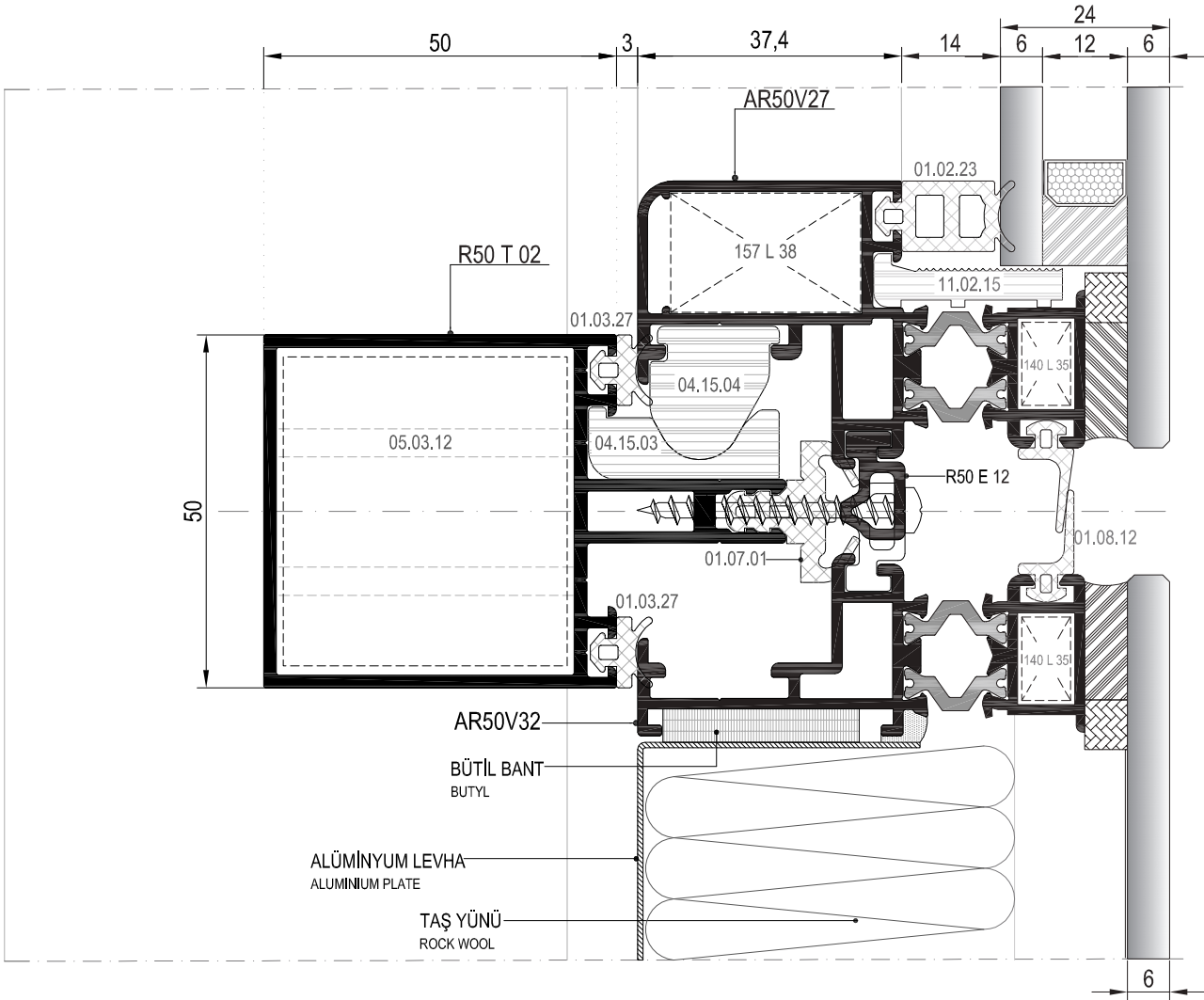
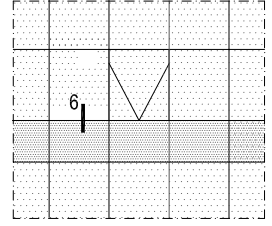
05

06

5 DETAYI
DETAIL

DIŞ
(OUTSIDE)

aSİLİKON CEPHE YATAY DETAYI
STRUCTURAL GLAZING HORIZONTAL DETAIL



01

02

03

04

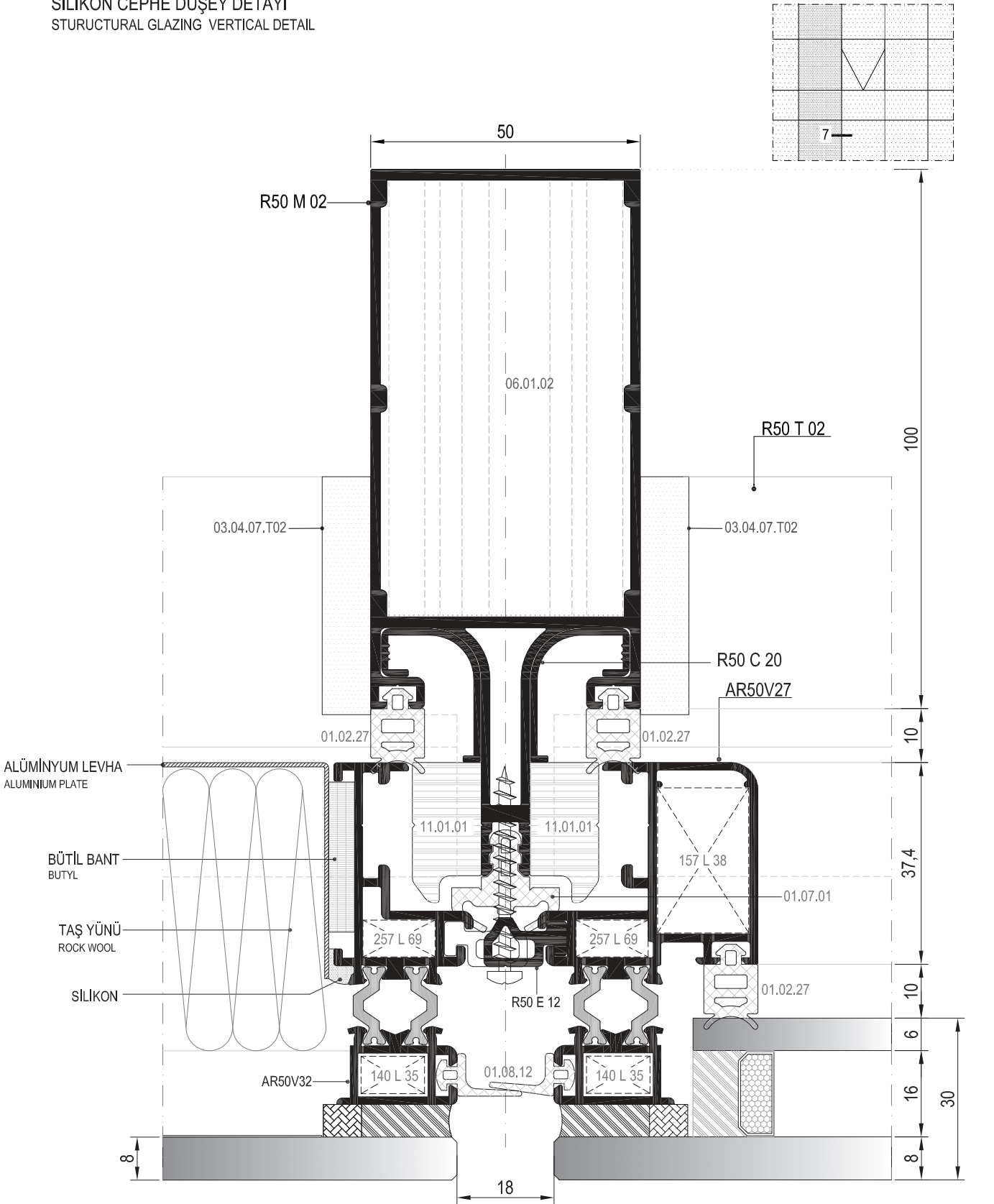
05

06

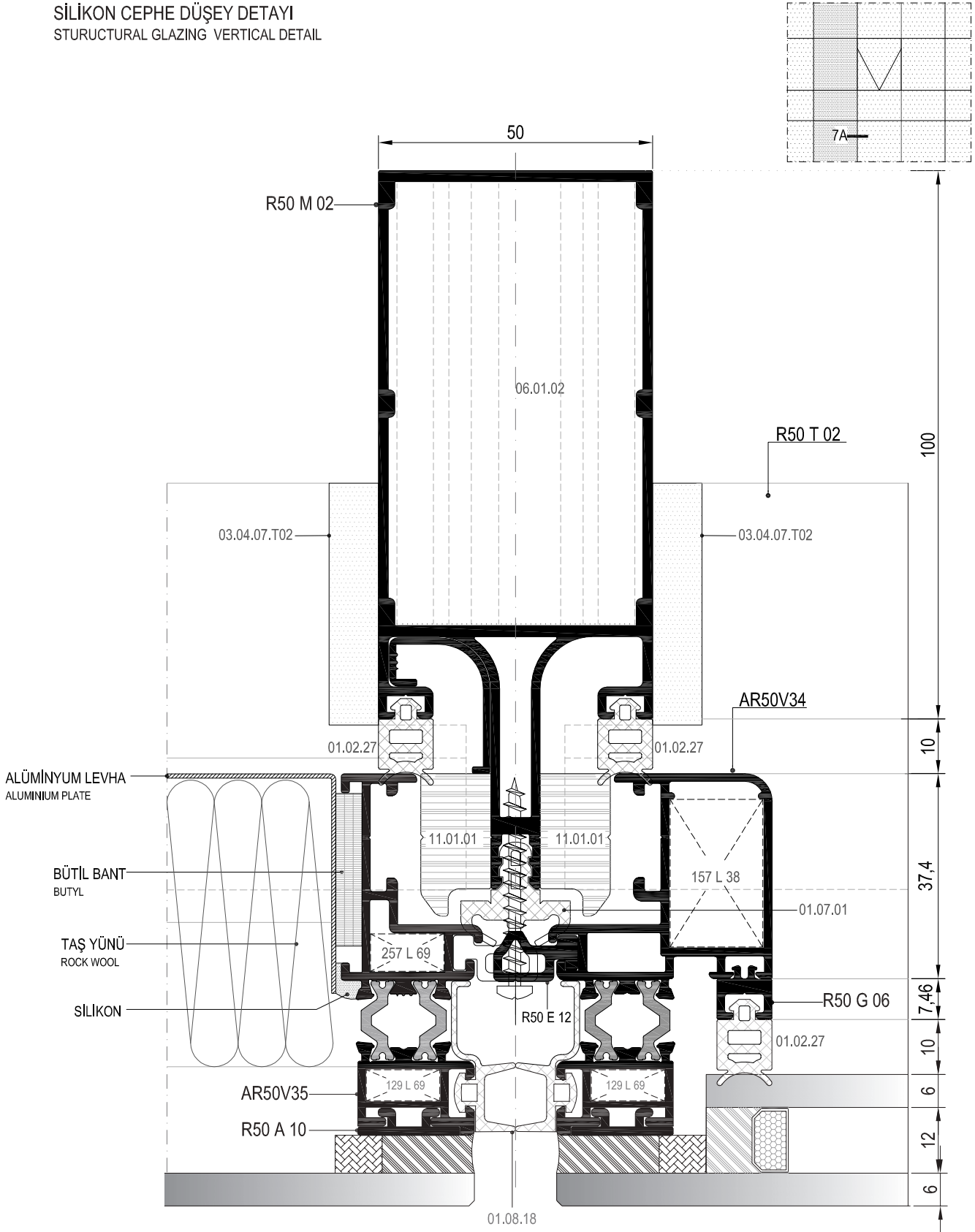
⑥ DETAYI
DETAIL

DIŞ
(OUTSIDE) ➔

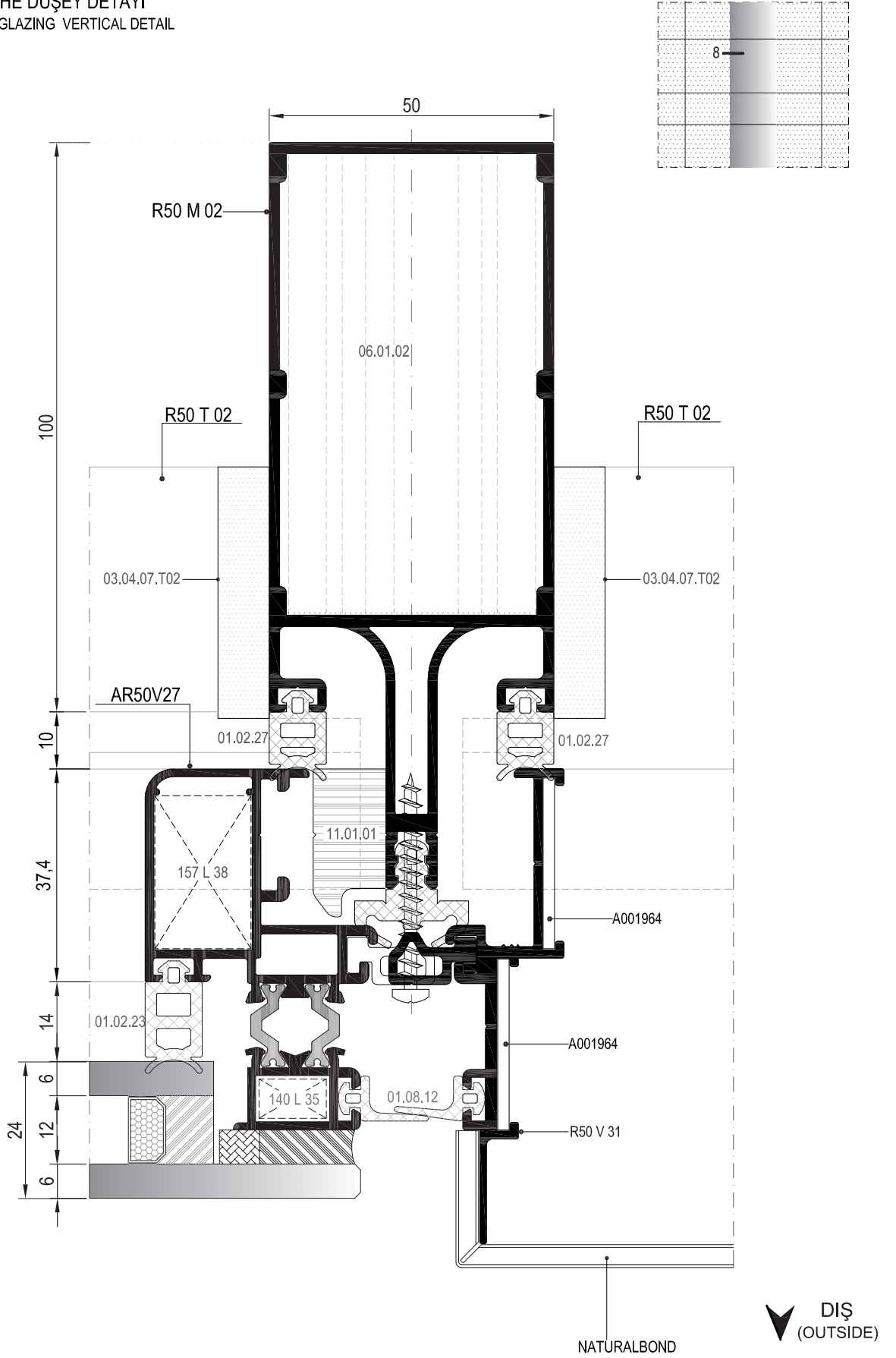
SİLİKON CEPHE DÜŞEY DETAYI
STRUCTURAL GLAZING VERTICAL DETAIL



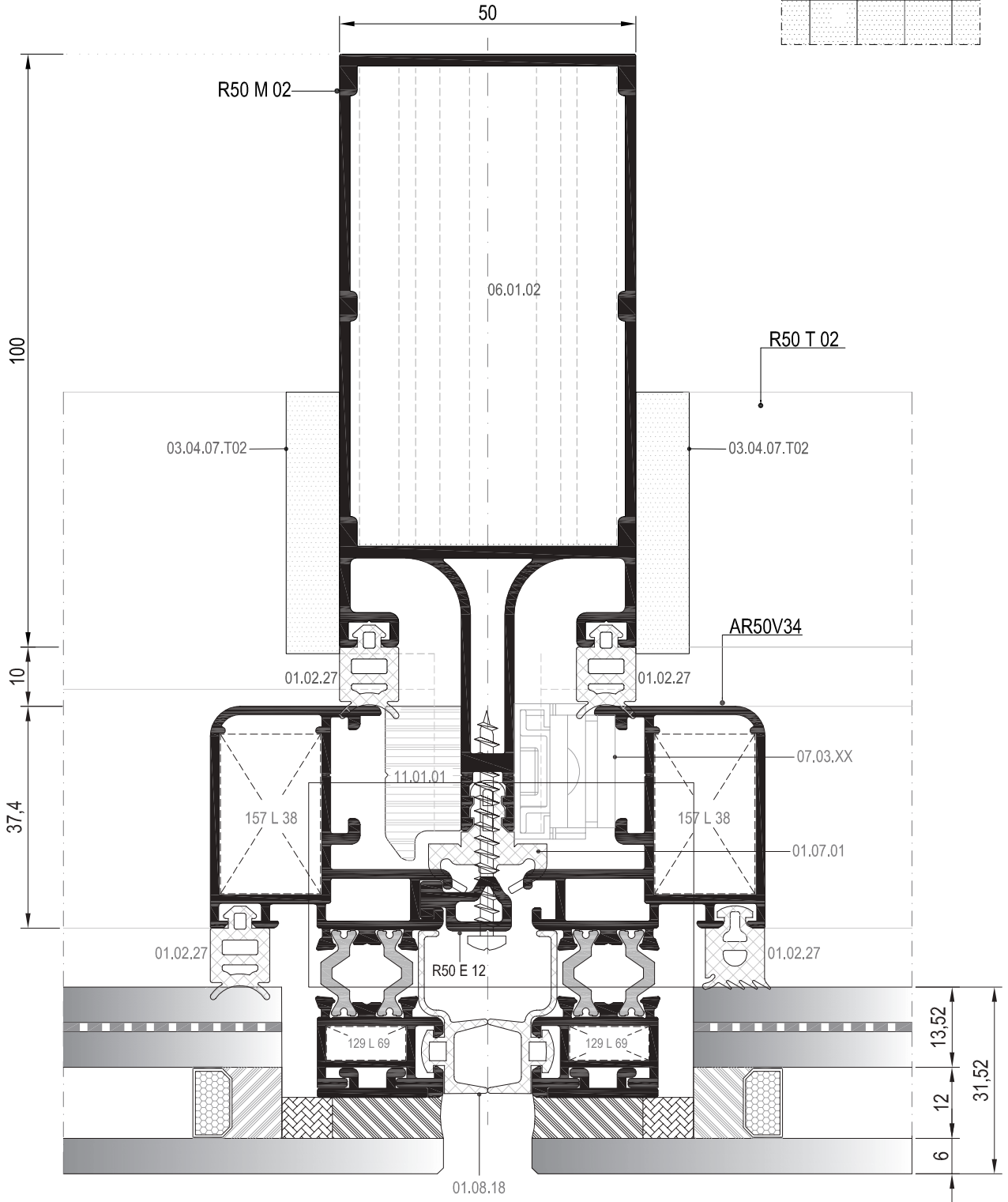
SİLİKON CEPHE DÜŞEY DETAYI
STRUCTURAL GLAZING VERTICAL DETAIL



SİLİKON CEPHE DÜŞEY DETAYI
STRUCTURAL GLAZING VERTICAL DETAIL



SİLİKON CEPHE DÜŞEY DETAYI
STRUCTURAL GLAZING VERTICAL DETAIL



01

02

03

04

05

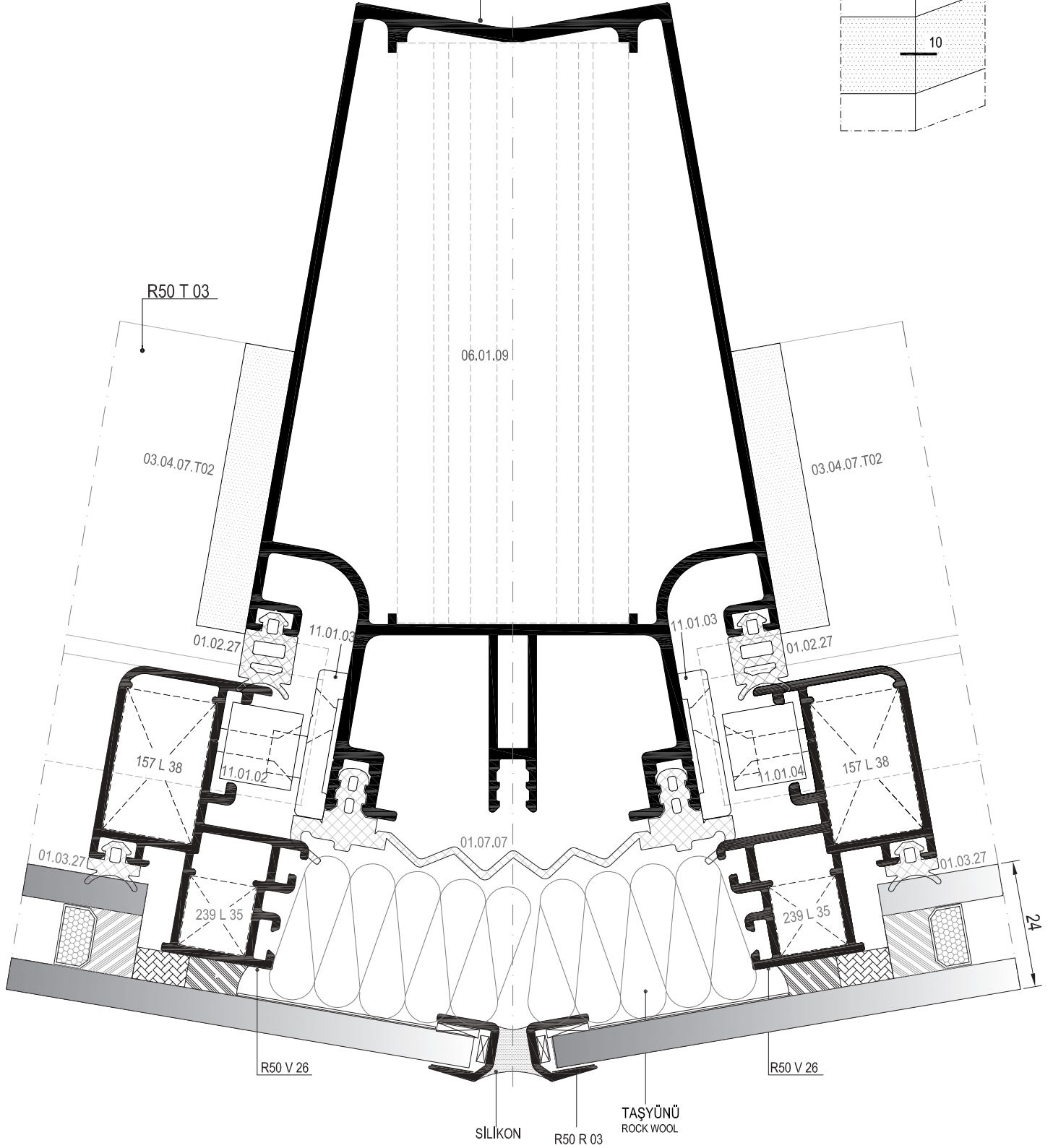
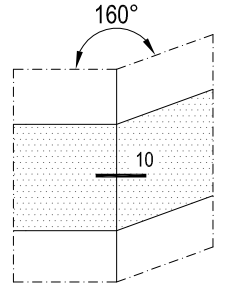
06

9 DETAYI
DETAIL

DIŞ
(OUTSIDE)

SİLİKON CEPHE 160° DÖNÜŞ DETAYI
STRUCTURAL GLAZING 160° ANGULAR DETAIL

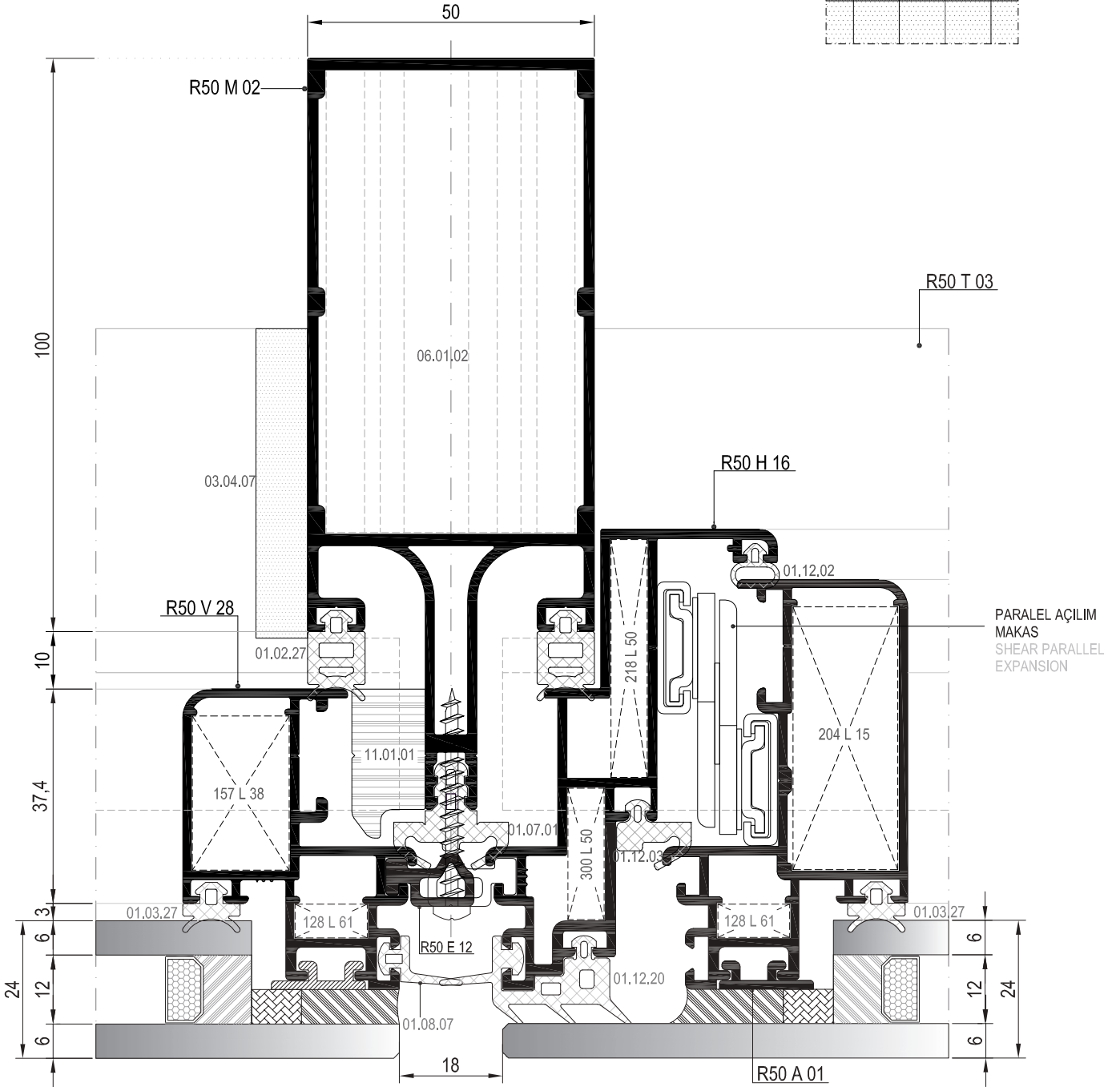
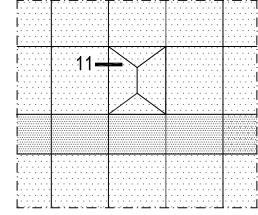
R50 M 09



10 DETAYI
DETAIL

DIŞ
(OUTSIDE)

SİLİKON CEPHE PARALEL AÇILIM DETAYI
STRUCTURAL GLAZING PARALLEL OPENING DETAIL



01

02

03

04

05

06

11 DETAYI
DETAIL

MİMARİ KATALOG

ARCHITECTURAL CATALOGUE

Alüminyum Kapı Pencere ve Giydirme Cephe Sistemleri
Aluminium Window Doors and Facade Systems

R50

DETAYLAR

DETAILS

YARI KAPAKLI CEPHE SİSTEMİ

SEMI-STRUCTURAL SYSTEM

01

02

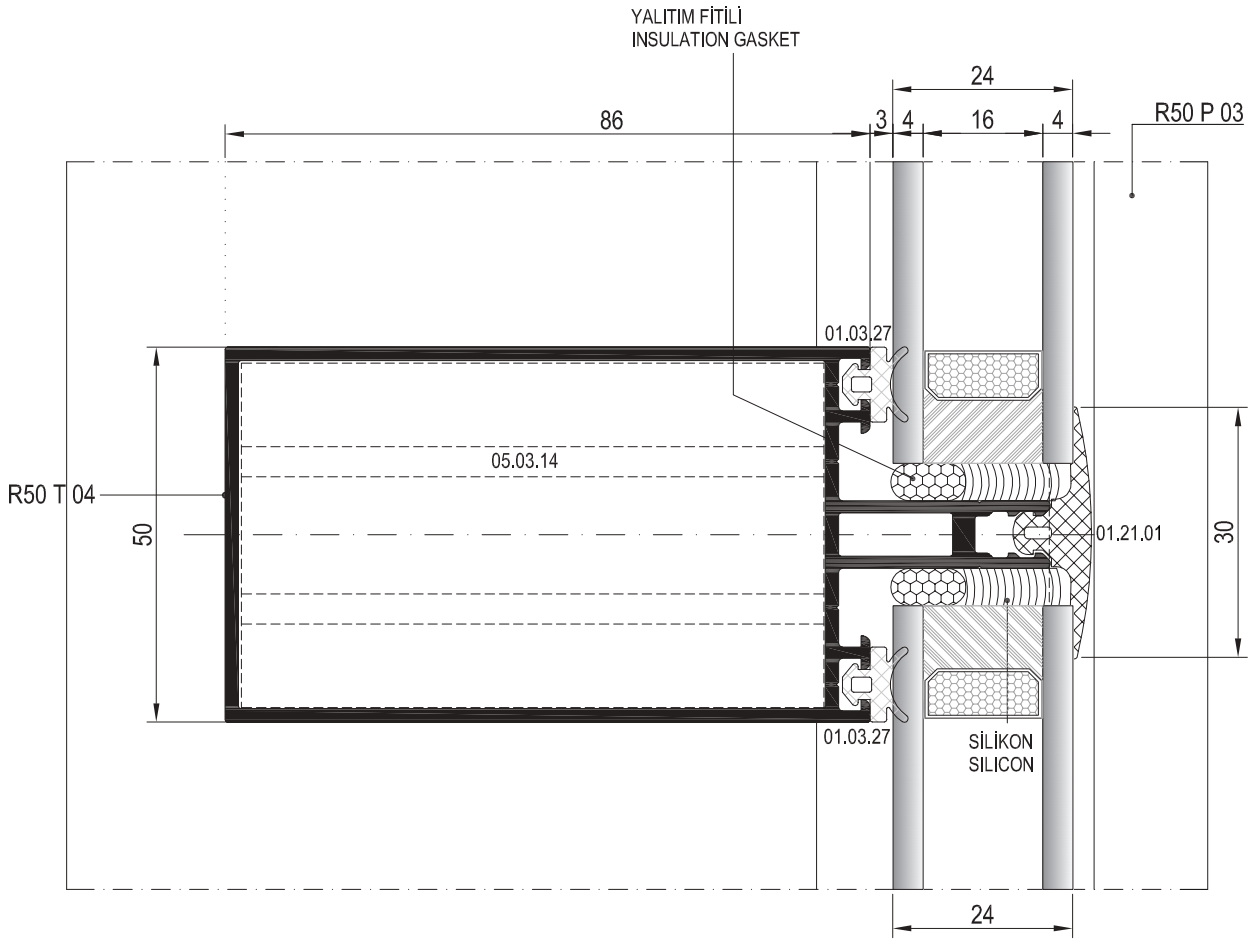
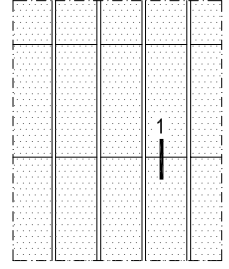
03

04

05

06

YATAY SİLİKON DÜŞEY KAPAKLI SİSTEM YATAY DETAYI
SEMI STRUCTURAL SYSTEM HORIZONTAL DETAIL

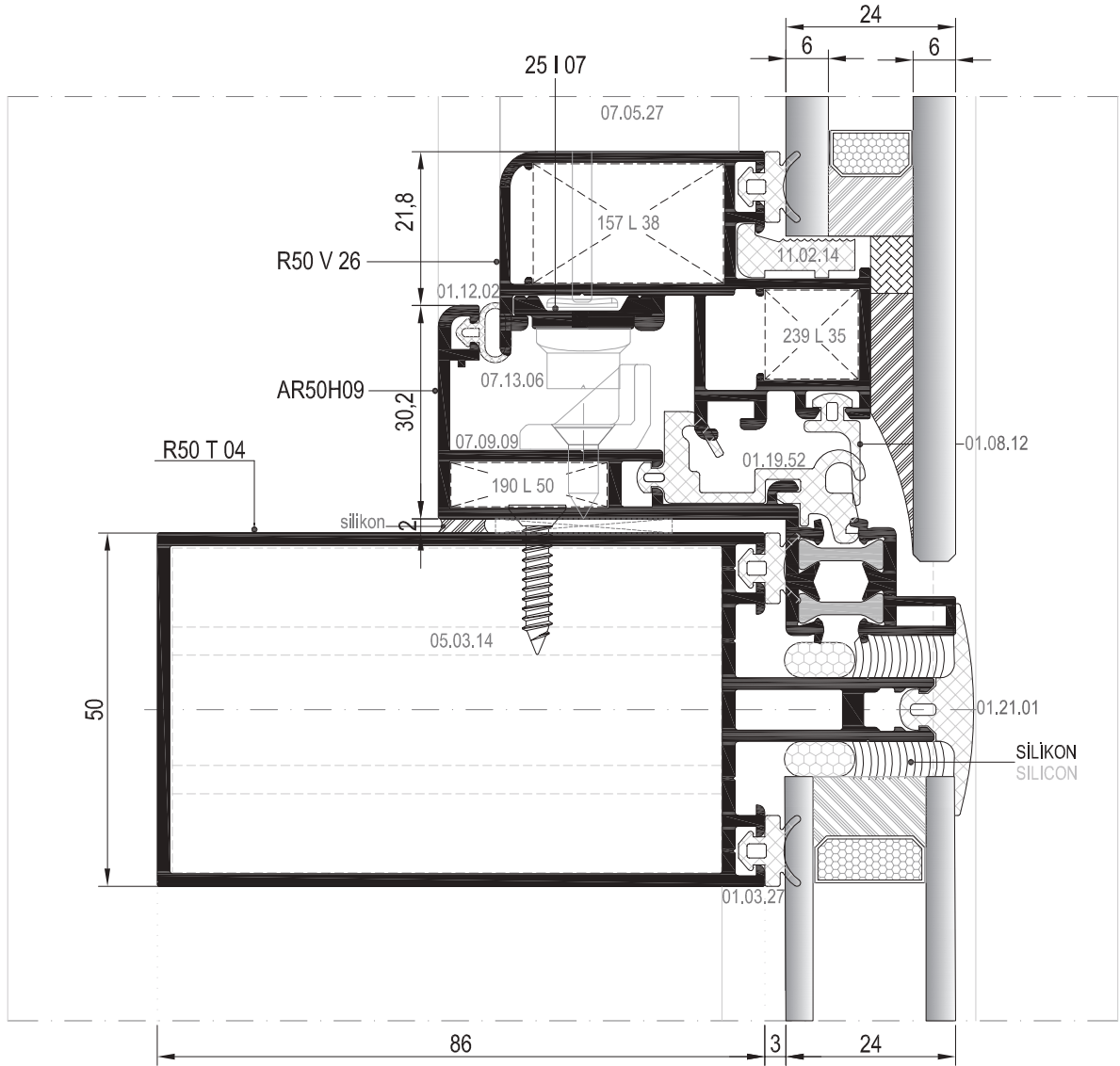
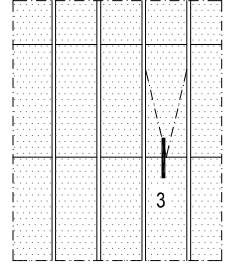


**DÜŞEY PROFİL AKS ARALIĞI 1 M'DEN AZ OLMALIDIR.
AXLE DIMENSIONS MUST BE LESS THAN 1 M.

① DETAYI
DETAIL

DIŞ
(OUTSIDE) ➔

YATAY SİLİKON DÜŞEY KAPAKLI SİSTEM GİZLİ KANAT YATAY DETAYI
SEMI STRUCTURAL SYSTEM HIDDEN VENT HORIZONTAL DETAIL

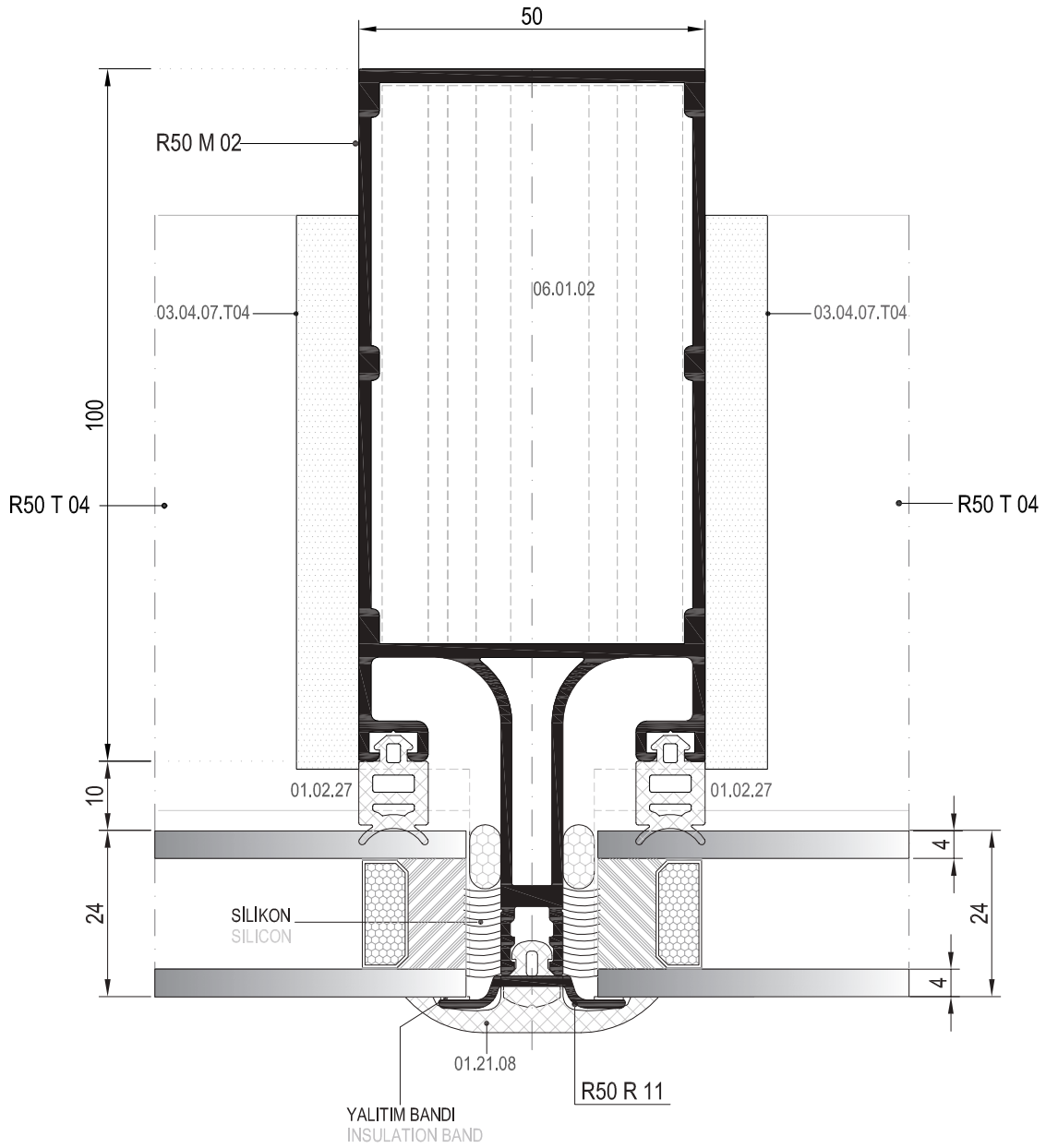
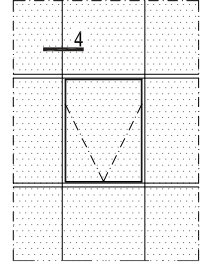


**DÜŞEY PROFİL AKS ARALIĞI 1 M'DEN AZ OLMALIDIR.
AXLE DIMENSIONS MUST BE LESS THAN 1 M.

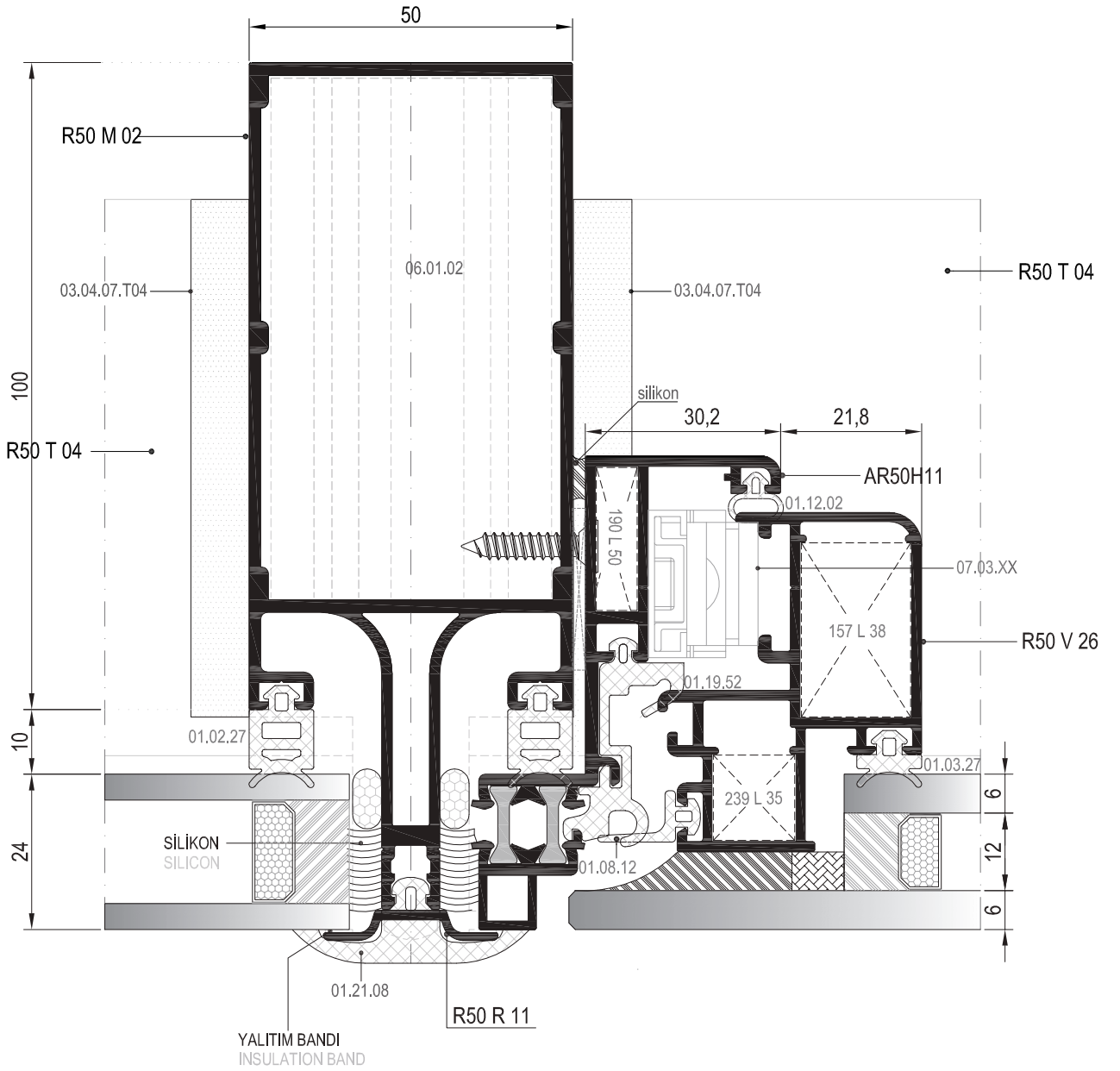
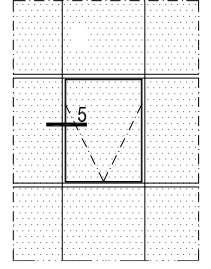
③ DETAYI
DETAIL

DIŞ
(OUTSIDE) ➔

DÜŞEY SİLİKON YATAY KAPAKLI SİSTEM DÜŞEY DETAYI
SEMI STRUCTURAL SYSTEM VERTICAL DETAIL



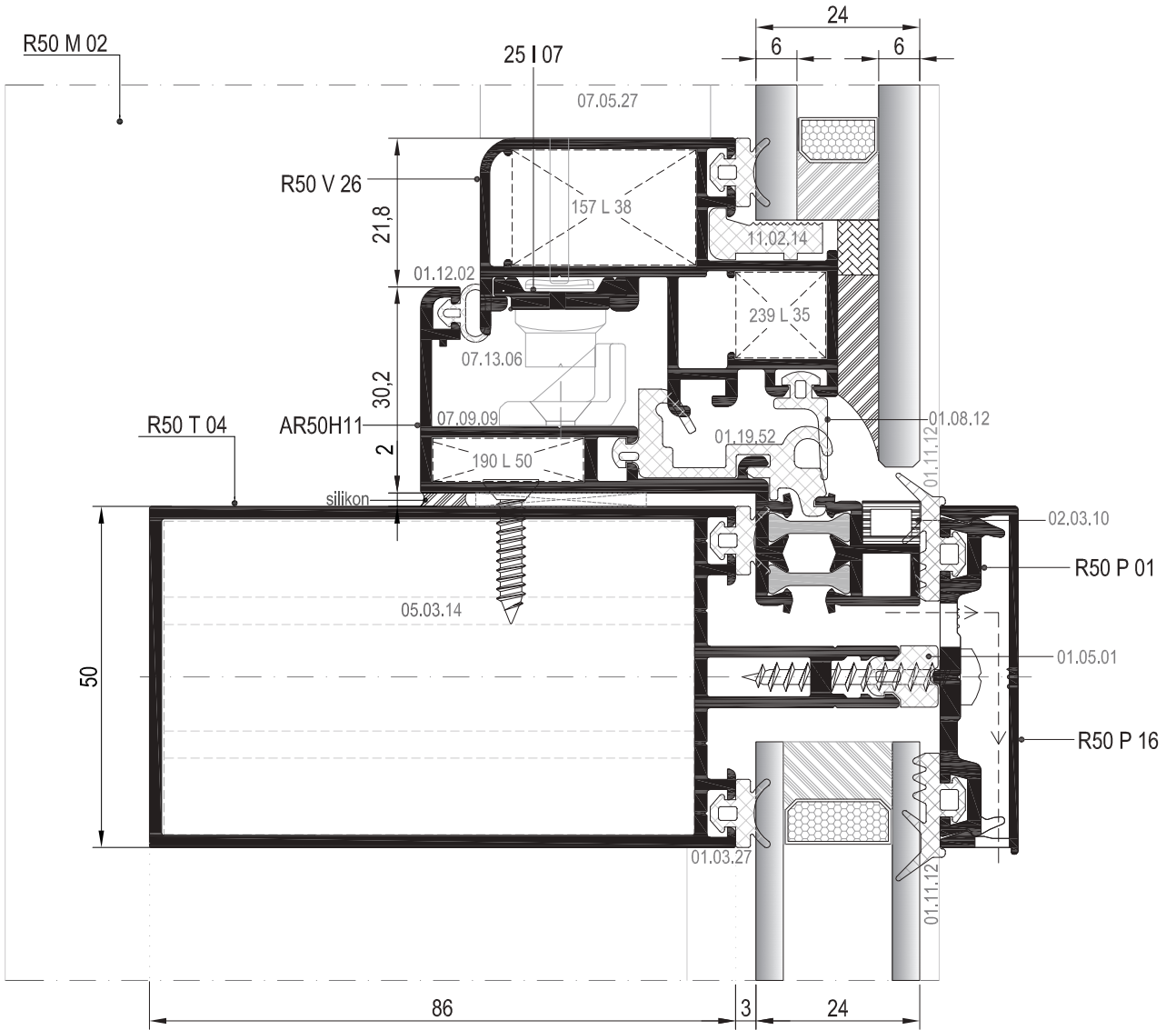
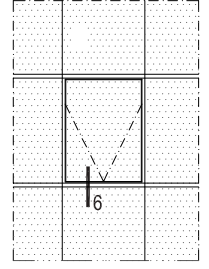
DÜŞEY SİLİKON YATAY KAPAKLI SİSTEM GİZLİ KANAT DÜŞEY DETAYI
SEMI STRUCTURAL SYSTEM HIDDEN VENT VERTICAL DETAIL



5 DETAYI
DETAIL

DIŞ
(OUTSIDE)

DÜŞEY SİLİKON YATAY KAPAKLI SİSTEM GİZLİ KANAT YATAY DETAYI
SEMI STRUCTURAL SYSTEM HIDDEN VENT HORIZONTAL DETAIL



MİMARİ KATALOG

ARCHITECTURAL CATALOGUE

Alüminyum Kapı Pencere ve Giydirme Cephe Sistemleri
Aluminium Window Doors and Facade Systems

R50

AKSESUARLAR

ACCESSORIES

01

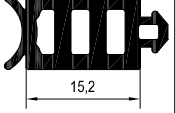
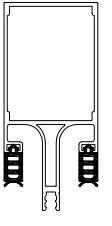


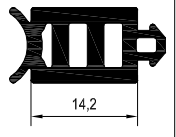
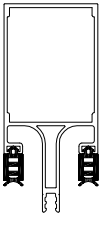
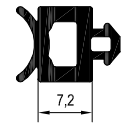

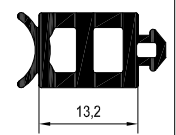
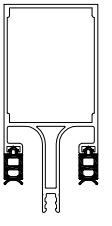


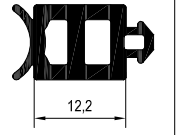
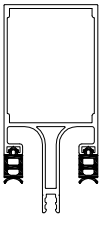
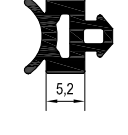


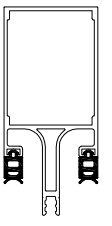


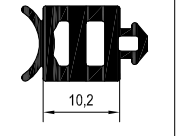
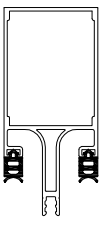


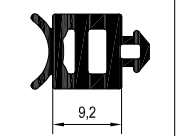
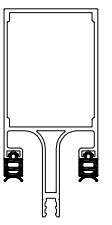
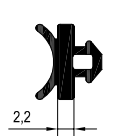
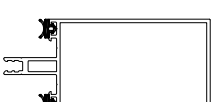
02

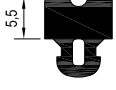
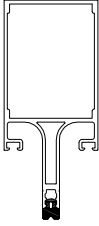
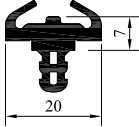
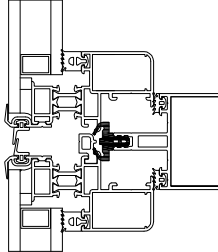

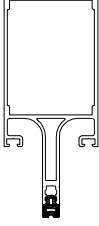

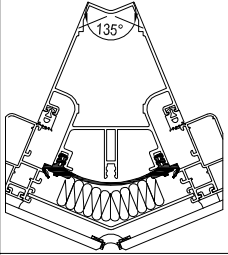

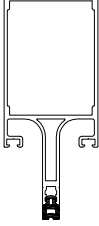

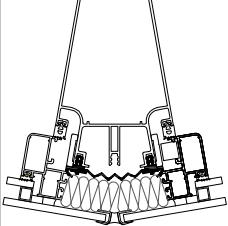

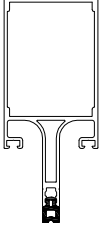
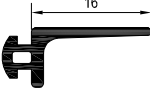
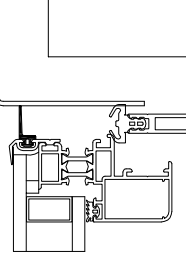

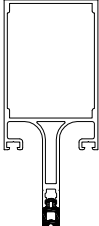
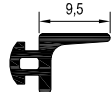
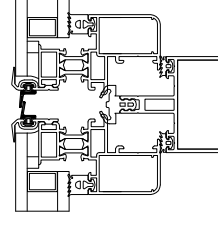
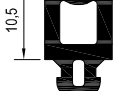
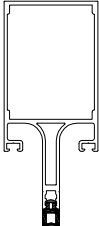
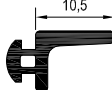
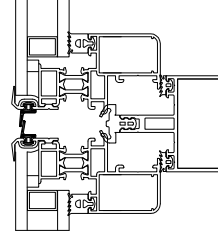

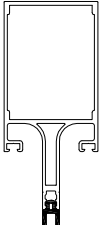
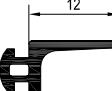
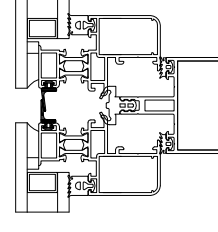
03

04

05

06

| | | | | |
|----|---|---|--|---|
| 01 |  <p>01.02.21 CAM FİTİLİ GLAZING GASKET Malzeme / Material : EPDM Ağırlık / Weight : 174 gr/m Paket / Package : 88 m / 15 kg</p> |  |  <p>01.03.21 CAM FİTİLİ GLAZING GASKET Malzeme / Material : EPDM Ağırlık / Weight : 110 gr/m Paket / Package : 130 m / 15 kg</p> |  |
| 02 |  <p>01.02.22 CAM FİTİLİ GLAZING GASKET Malzeme / Material : EPDM Ağırlık / Weight : 166 gr/m Paket / Package : 88 m / 15 kg</p> |  |  <p>01.03.22 CAM FİTİLİ GLAZING GASKET Malzeme / Material : EPDM Ağırlık / Weight : 90 gr/m Paket / Package : 161 m / 15 kg</p> |  |
| 03 |  <p>01.02.23 CAM FİTİLİ GLAZING GASKET Malzeme / Material : EPDM Ağırlık / Weight : 145 gr/m Paket / Package : 102 m / 15 kg</p> |  |  <p>01.03.23 CAM FİTİLİ GLAZING GASKET Malzeme / Material : EPDM Ağırlık / Weight : 85 gr/m Paket / Package : 170 m / 15 kg</p> |  |
| 04 |  <p>01.02.24 CAM FİTİLİ GLAZING GASKET Malzeme / Material : EPDM Ağırlık / Weight : 140 gr/m Paket / Package : 107 m / 15 kg</p> |  |  <p>01.03.24 CAM FİTİLİ GLAZING GASKET Malzeme / Material : EPDM Ağırlık / Weight : 81 gr/m Paket / Package : 185 m / 15 kg</p> |  |
| 05 |  <p>01.02.25 CAM FİTİLİ GLAZING GASKET Malzeme / Material : EPDM Ağırlık / Weight : 135 gr/m Paket / Package : 111 m / 15 kg</p> |  |  <p>01.03.25 CAM FİTİLİ GLAZING GASKET Malzeme / Material : EPDM Ağırlık / Weight : 70 gr/m Paket / Package : 211 m / 15 kg</p> |  |
| 06 |  <p>01.02.26 CAM FİTİLİ GLAZING GASKET Malzeme / Material : EPDM Ağırlık / Weight : 126 gr/m Paket / Package : 115 m / 15 kg</p> |  |  <p>01.03.26 CAM FİTİLİ GLAZING GASKET Malzeme / Material : EPDM Ağırlık / Weight : 66 gr/m Paket / Package : 200 m / 15 kg</p> |  |
| |  <p>01.02.27 CAM FİTİLİ GLAZING GASKET Malzeme / Material : EPDM Ağırlık / Weight : 116 gr/m Paket / Package : 127 m / 15 kg</p> |  |  <p>01.03.27 CAM FİTİLİ GLAZING GASKET Malzeme / Material : EPDM Ağırlık / Weight : 56 gr/m Paket / Package : 242 m / 15 kg</p> |  |

| | | | | | |
|---|---|---|---|--|---|
|  | <p>01.05.01</p> <p>ORTA BASKI FİTİLİ CENTRAL GASKET</p> <p>Malzeme / Material : EPDM Ağırlık / Weight : 84 gr/m Paket / Package : 178 m / 15 kg</p> |  |  | <p>01.07.01</p> <p>ORTA BASKI FİTİLİ CENTRAL GASKET</p> <p>Malzeme / Material : EPDM Ağırlık / Weight : 189 gr/m Paket / Package : 78 m / 15 kg</p> |  |
|  | <p>01.05.02</p> <p>ORTA BASKI FİTİLİ CENTRAL GASKET</p> <p>Malzeme / Material : EPDM Ağırlık / Weight : 92 gr/m Paket / Package : 163 m / 15 kg</p> |  |  | <p>01.07.03</p> <p>ORTA BASKI FİTİLİ (135°) CENTRAL GASKET (135°)</p> <p>Malzeme / Material : EPDM Ağırlık / Weight : 500 gr/m Paket / Package : 20 m / 15 kg</p> |  |
|  | <p>01.05.03</p> <p>ORTA BASKI FİTİLİ CENTRAL GASKET</p> <p>Malzeme / Material : EPDM Ağırlık / Weight : 98 gr/m Paket / Package : 153 m / 15 kg</p> |  |  | <p>01.07.07</p> <p>ORTA BASKI FİTİLİ (160°) CENTRAL GASKET (160°)</p> <p>Malzeme / Material : EPDM Ağırlık / Weight : 458 gr/m Paket / Package : 32 m / 15 kg</p> |  |
|  | <p>01.05.04</p> <p>ORTA BASKI FİTİLİ CENTRAL GASKET</p> <p>Malzeme / Material : EPDM Ağırlık / Weight : 102 gr/m Paket / Package : 147 m / 15 kg</p> |  |  | <p>01.08.01</p> <p>TIRNAK FİTİLİ SEALING JOINT GASKET</p> <p>Malzeme / Material : EPDM Ağırlık / Weight : 63 gr/m Paket / Package : 238 m / 15 kg</p> |  |
|  | <p>01.05.05</p> <p>ORTA BASKI FİTİLİ CENTRAL GASKET</p> <p>Malzeme / Material : EPDM Ağırlık / Weight : 134 gr/m Paket / Package : 112 m / 15 kg</p> |  |  | <p>01.08.03</p> <p>TIRNAK FİTİLİ SEALING JOINT GASKET</p> <p>Malzeme / Material : EPDM Ağırlık / Weight : 46 gr/m Paket / Package : 326 m / 15 kg</p> |  |
|  | <p>01.05.06</p> <p>ORTA BASKI FİTİLİ CENTRAL GASKET</p> <p>Malzeme / Material : EPDM Ağırlık / Weight : 107 gr/m Paket / Package : 140 m / 15 kg</p> |  |  | <p>01.08.07</p> <p>TIRNAK FİTİLİ SEALING JOINT GASKET</p> <p>Malzeme / Material : EPDM Ağırlık / Weight : 50 gr/m Paket / Package : 300 m / 15 kg</p> |  |
|  | <p>01.05.08</p> <p>ORTA BASKI FİTİLİ CENTRAL GASKET</p> <p>Malzeme / Material : EPDM Ağırlık / Weight : 125 gr/m Paket / Package : 120 m / 15 kg</p> |  |  | <p>01.08.12</p> <p>TIRNAK FİTİLİ SEALING JOINT GASKET</p> <p>Malzeme / Material : EPDM Ağırlık / Weight : 52 gr/m Paket / Package : 288 m / 15 kg</p> |  |

01


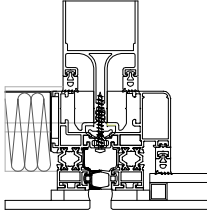

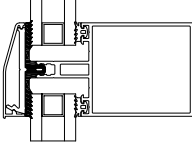

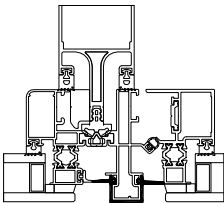

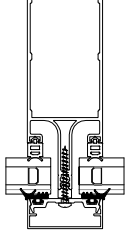

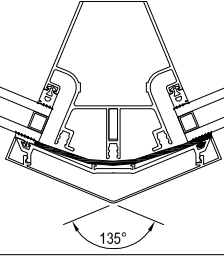
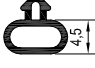
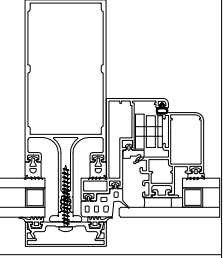
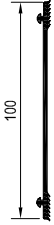
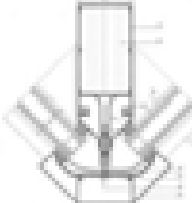

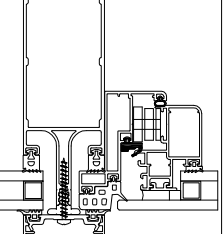
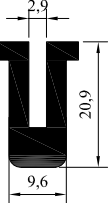
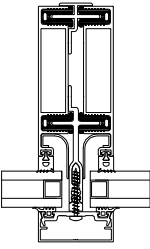
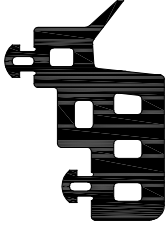
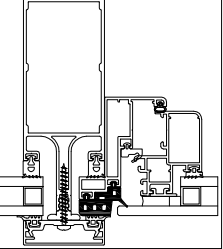

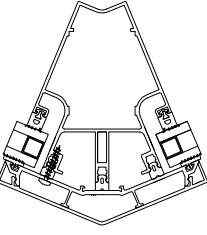

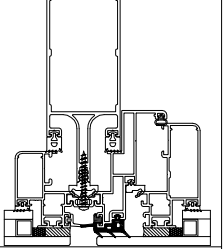
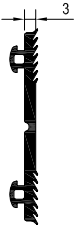
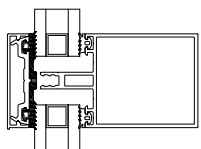

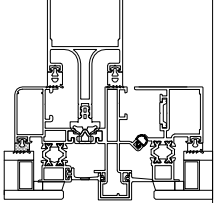
02

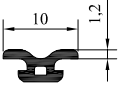
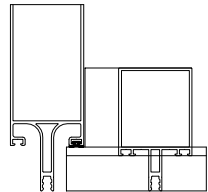
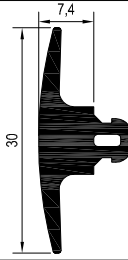
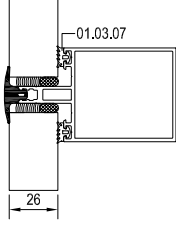

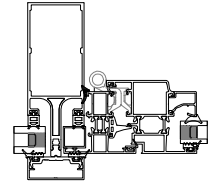
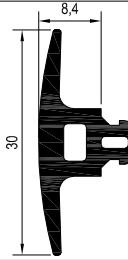
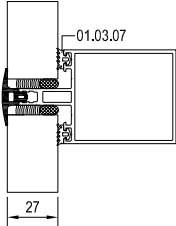

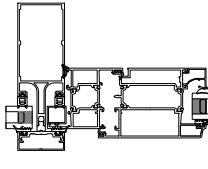
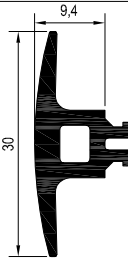
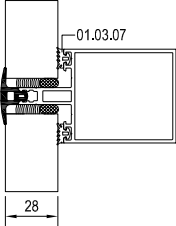

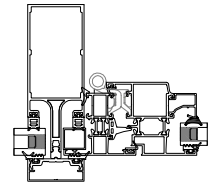
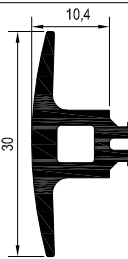
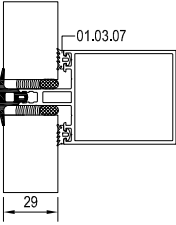

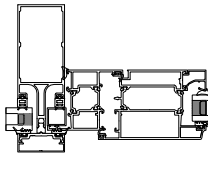
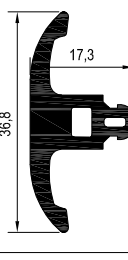
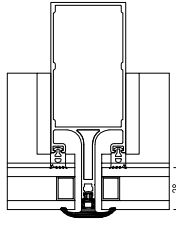
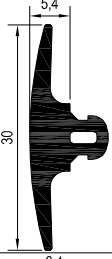
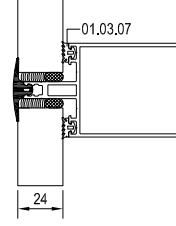
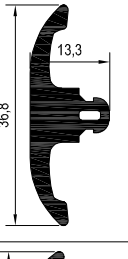
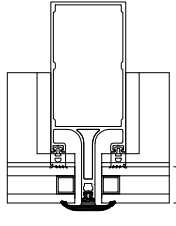
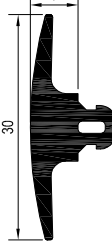
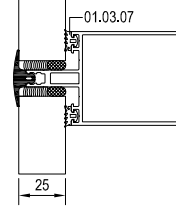
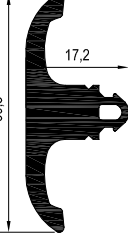
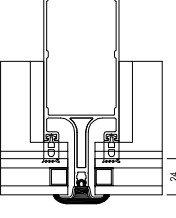
03

04

05

06

| | | | | | | |
|----|---|--|---|---|--|---|
| 01 |  | <p>01.08.18</p> <p>KASET BİNİ FİTİLİ SEAL GASKET</p> <p>Malzeme / Material : EPDM Ağırlık / Weight : 92 gr/m Paket / Package : 163 m / 15 kg</p> |  |  | <p>01.11.06</p> <p>KAPAK ALTI FİTİLİ GLAZING GASKET</p> <p>Malzeme / Material : EPDM Ağırlık / Weight : 228 gr/m Paket / Package : 65 m / 15 kg</p> |  |
| 02 |  | <p>01.08.20</p> <p>KASA FİTİLİ FRAME GASKET</p> <p>Malzeme / Material : EPDM Ağırlık / Weight : 192gr/m Paket / Package : 78 m / 15 kg R50TT SİSTEM İÇİN.</p> |  |  | <p>01.11.12</p> <p>DIŞ CAM FİTİLİ GLAZING GASKET (OUT)</p> <p>Malzeme / Material : EPDM Ağırlık / Weight : 90 gr/m Paket / Package : 166 m / 15 kg</p> |  |
| 03 |  | <p>01.09.04</p> <p>DIŞ CAM FİTİLİ (135°) GLAZING GASKET (135°)</p> <p>Malzeme / Material : EPDM Ağırlık / Weight : 420 gr/m Paket / Package : 35 m / 15 kg</p> |  |  | <p>01.12.02</p> <p>GİZLİ KANAT FİTİLİ SEAL GASKET</p> <p>Malzeme / Material : EPDM Ağırlık / Weight : 32 gr/m Paket / Package : 468 m / 15 kg</p> |  |
| 04 |  | <p>01.09.03</p> <p>DIŞ CAM FİTİLİ (90°) GLAZING GASKET (90°)</p> <p>Malzeme / Material : EPDM Ağırlık / Weight : 341 gr/m Paket / Package : 44 m / 15 kg</p> |  |  | <p>01.12.03</p> <p>GİZLİ KANAT FİTİLİ SEAL GASKET</p> <p>Malzeme / Material : EPDM Ağırlık / Weight : 84 gr/m Paket / Package : 178 m / 15 kg</p> |  |
| 05 |  | <p>01.10.01</p> <p>DİLATASYON FİTİLİ EXPANSION GASKET</p> <p>Malzeme / Material : EPDM Ağırlık / Weight : 206 gr/m Paket / Package : 72,8 m / 15 kg</p> |  |  | <p>01.12.14</p> <p>GİZLİ KANAT KASA FİTİLİ SEAL GASKET</p> <p>Malzeme / Material : EPDM Ağırlık / Weight : 351 gr/m Paket / Package : 42 m / 15 kg</p> |  |
| 06 |  | <p>01.11.03</p> <p>DIŞ CAM FİTİLİ GLAZING GASKET</p> <p>Malzeme / Material : EPDM Ağırlık / Weight : 70 gr/m Paket / Package : 214 m / 15 kg</p> |  |  | <p>01.12.20</p> <p>GİZLİ KANAT KASA FİTİLİ SEAL GASKET</p> <p>Malzeme / Material : EPDM Ağırlık / Weight : 219 gr/m Paket / Package : 68 m / 15 kg</p> |  |
| |  | <p>01.11.05</p> <p>KAPAK ALTI FİTİLİ GLAZING GASKET</p> <p>Malzeme / Material : EPDM Ağırlık / Weight : 220 gr/m Paket / Package : 68 m / 15 kg</p> |  |  | <p>01.12.22</p> <p>GİZLİ KANAT FİTİLİ FRAME GASKET</p> <p>Malzeme / Material : EPDM Ağırlık / Weight : 32 gr/m Paket / Package : 468 m / 15 kg R50TT SİSTEM İÇİN.</p> |  |

| | | | | | |
|---|--|---|---|--|---|
|  | <p>01.14.01</p> <p>BİTİŞ FİTİLİ FINISH GASKET</p> <p>Malzeme / Material : EPDM Ağırlık / Weight : 30 gr/m Paket / Package : 500 m / 15 kg</p> |  |  | <p>01.21.03</p> <p>BASMA FİTİLİ PRESSURE GASKET</p> <p>Malzeme / Material : EPDM Ağırlık / Weight : 163 gr/m Paket / Package : 92 m / 15 kg</p> |  |
|  | <p>01.17.02</p> <p>İÇ CAM FİTİLİ 1,6 mm INSIDE GLAZING GASKET 1,6 mm</p> <p>Malzeme / Material : EPDM Ağırlık / Weight : 56 gr/m Paket / Package : 267m / 15 kg</p> |  |  | <p>01.21.04</p> <p>BASMA FİTİLİ PRESSURE GASKET</p> <p>Malzeme / Material : EPDM Ağırlık / Weight : 158 gr/m Paket / Package : 94 m / 15 kg</p> |  |
|  | <p>01.17.03</p> <p>İÇ CAM FİTİLİ 2,8 mm INSIDE GLAZING GASKET 2,8 mm</p> <p>Malzeme / Material : EPDM Ağırlık / Weight : 59 gr/m Paket / Package : 254m / 15 kg</p> |  |  | <p>01.21.05</p> <p>BASMA FİTİLİ PRESSURE GASKET</p> <p>Malzeme / Material : EPDM Ağırlık / Weight : 172 gr/m Paket / Package : 87 m / 15 kg</p> |  |
|  | <p>01.17.04</p> <p>İÇ CAM FİTİLİ 3,6 mm INSIDE GLAZING GASKET 3,6 mm</p> <p>Malzeme / Material : EPDM Ağırlık / Weight : 71 gr/m Paket / Package : 210m / 15 kg</p> |  |  | <p>01.21.06</p> <p>BASMA FİTİLİ PRESSURE GASKET</p> <p>Malzeme / Material : EPDM Ağırlık / Weight : 167 gr/m Paket / Package : 90 m / 15 kg</p> |  |
|  | <p>01.17.05</p> <p>İÇ CAM FİTİLİ 4,6 mm INSIDE GLAZING GASKET 4,6 mm</p> <p>Malzeme / Material : EPDM Ağırlık / Weight : 89 gr/m Paket / Package : 168m / 15 kg</p> |  |  | <p>01.21.07</p> <p>BASMA FİTİLİ PRESSURE GASKET</p> <p>Malzeme / Material : EPDM Ağırlık / Weight : 270 gr/m Paket / Package : 55 m / 15 kg</p> |  |
|  | <p>01.21.01</p> <p>BASMA FİTİLİ PRESSURE GASKET</p> <p>Malzeme / Material : EPDM Ağırlık / Weight : 136 gr/m Paket / Package : 109 m / 15 kg</p> |  |  | <p>01.21.08</p> <p>BASMA FİTİLİ PRESSURE GASKET</p> <p>Malzeme / Material : EPDM Ağırlık / Weight : 228 gr/m Paket / Package : 65 m / 15 kg</p> |  |
|  | <p>01.21.02</p> <p>BASMA FİTİLİ PRESSURE GASKET</p> <p>Malzeme / Material : EPDM Ağırlık / Weight : 158 gr/m Paket / Package : 94 m / 15 kg</p> |  |  | <p>01.21.09</p> <p>BASMA FİTİLİ PRESSURE GASKET</p> <p>Malzeme / Material : EPDM Ağırlık / Weight : 304 gr/m Paket / Package : 49 m / 15 kg</p> |  |

01


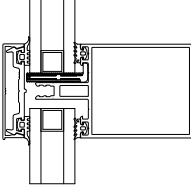

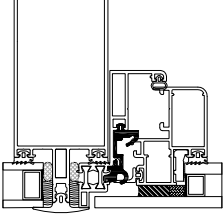
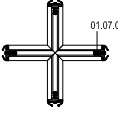
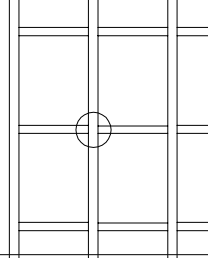
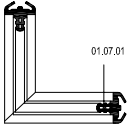
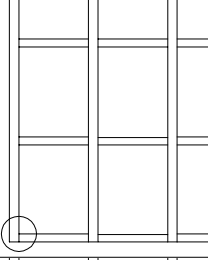
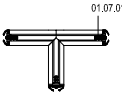
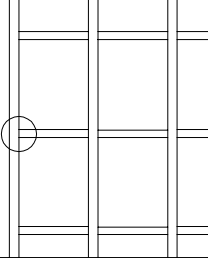
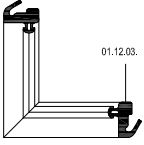
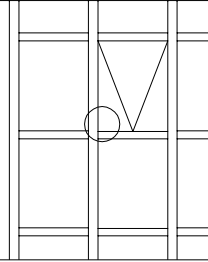
02


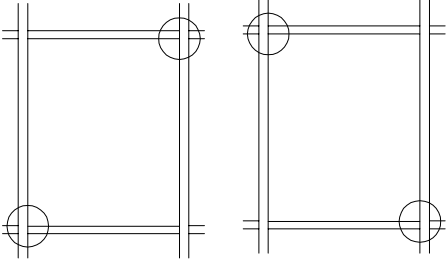
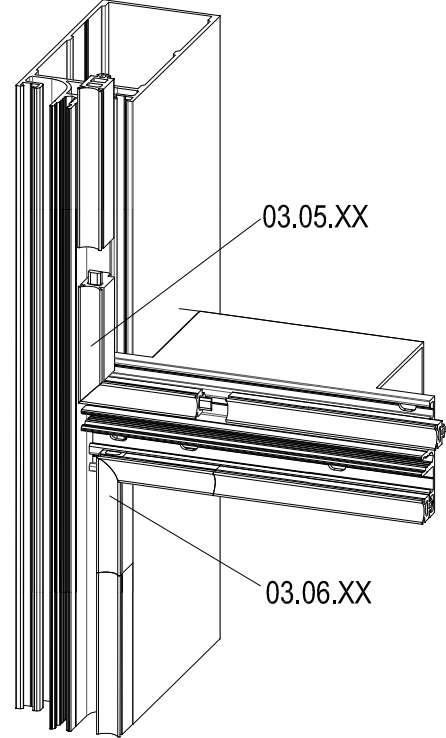
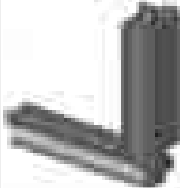

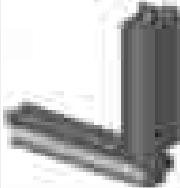
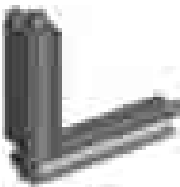
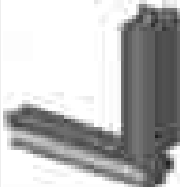
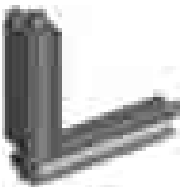
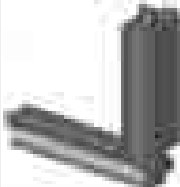
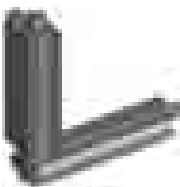
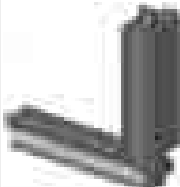

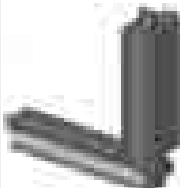

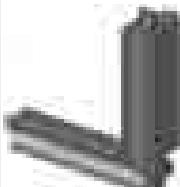
03

04

05

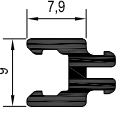
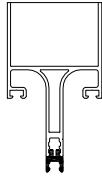
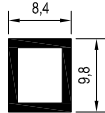
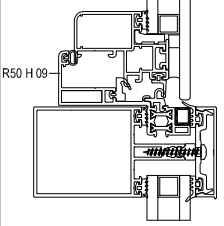
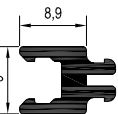
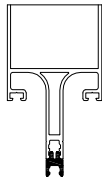
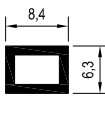
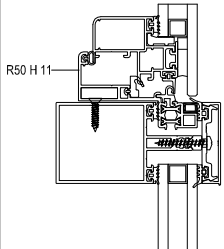
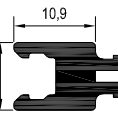
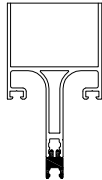
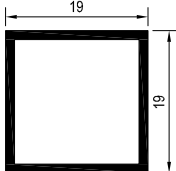
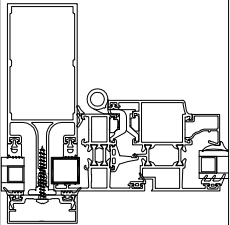
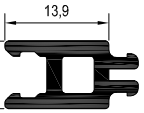
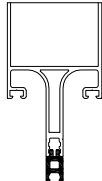
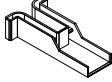
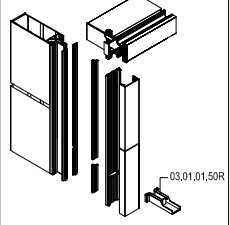
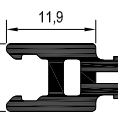
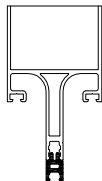
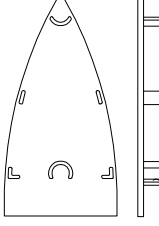
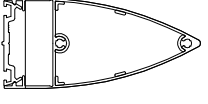
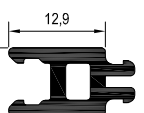
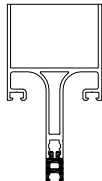
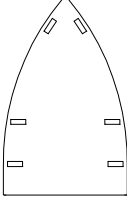
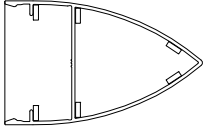
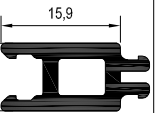
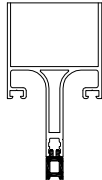
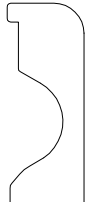
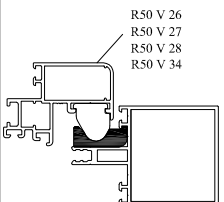
06

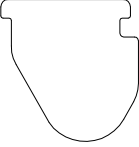
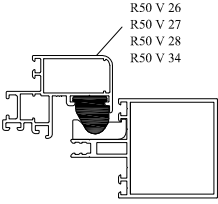
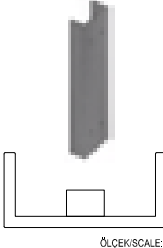
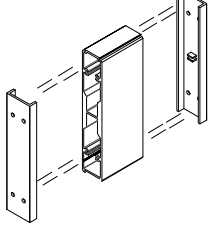
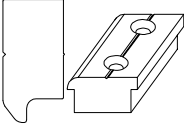
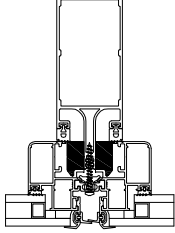
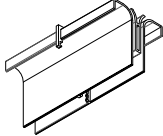
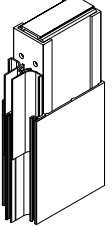
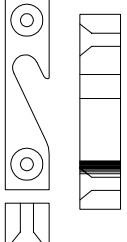
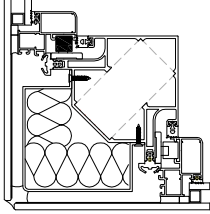
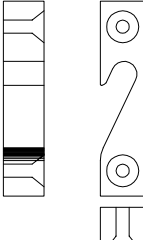
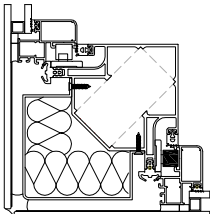
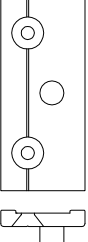
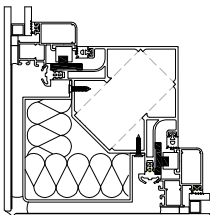
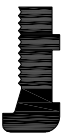
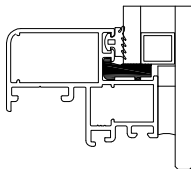

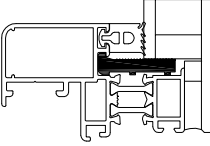
| | | | | | | |
|----|---|---|---|--|--|--|
| 01 |  | <p>01.22.01</p> <p>CAM TAKOZ FİTİLİ SUPPORT GASKET</p> <p>Malzeme / Material : EPDM Ağırlık / Weight : 115 gr/m Paket / Package : 130 m / 15 kg</p> |  | | | |
| 02 |  | <p>01.19.52</p> <p>KASET BİNİ FİTİLİ SEAL GASKET</p> <p>Malzeme / Material : EPDM Ağırlık / Weight : 214 gr/m Paket / Package : 70 m / 15 kg</p> <p>Ölçek/Scale: 1/2</p> |  | | | |
| 03 |  | <p>03.07.01</p> <p>(+) FİTİL (+) GASKET</p> <p>Malzeme / Material : EPDM 01.07.01 - 01.07.01</p> <p>Ölçek/Scale: 1/2</p> |  | | | |
| 04 |  | <p>03.07.02</p> <p>(L) FİTİL (L) GASKET</p> <p>Malzeme / Material : EPDM 01.07.01 - 01.07.01</p> <p>Ölçek/Scale: 1/2</p> |  | | | |
| 05 |  | <p>03.07.03</p> <p>(T) FİTİL (T) GASKET</p> <p>Malzeme / Material : EPDM 01.07.01 - 01.07.01</p> <p>Ölçek/Scale: 1/2</p> |  | | | |
| 06 |  | <p>03.07.04</p> <p>(L) FİTİL (L) GASKET</p> <p>Malzeme / Material : EPDM 01.12.03 - 01.12.03</p> <p>Ölçek/Scale: 1/2</p> |  | | | |

| | | | | | |
|---|--|--|---|---|----|
|  | <p>03.05.21</p> <p>KÖŞE FİTİLİ (SAĞ) CORNER GASKET (RIGHT)</p> <p>Malzeme / Material : EPDM 01.02.21 - 01.03.21</p> |   |  | <p>03.06.21</p> <p>KÖŞE FİTİLİ (SOL) CORNER GASKET (LEFT)</p> <p>Malzeme / Material : EPDM 01.02.21 - 01.03.21</p> | 01 |
|  | <p>03.05.22</p> <p>KÖŞE FİTİLİ (SAĞ) CORNER GASKET (RIGHT)</p> <p>Malzeme / Material : EPDM 01.02.22 - 01.03.22</p> | |  | <p>03.06.22</p> <p>KÖŞE FİTİLİ (SOL) CORNER GASKET (LEFT)</p> <p>Malzeme / Material : EPDM 01.02.22 - 01.03.22</p> | 02 |
|  | <p>03.05.23</p> <p>KÖŞE FİTİLİ (SAĞ) CORNER GASKET (RIGHT)</p> <p>Malzeme / Material : EPDM 01.02.23 - 01.03.23</p> | |  | <p>03.06.23</p> <p>KÖŞE FİTİLİ (SOL) CORNER GASKET (LEFT)</p> <p>Malzeme / Material : EPDM 01.02.23 - 01.03.23</p> | 03 |
|  | <p>03.05.24</p> <p>KÖŞE FİTİLİ (SAĞ) CORNER GASKET (RIGHT)</p> <p>Malzeme / Material : EPDM 01.02.24 - 01.03.24</p> | |  | <p>03.06.24</p> <p>KÖŞE FİTİLİ (SOL) CORNER GASKET (LEFT)</p> <p>Malzeme / Material : EPDM 01.02.24 - 01.03.24</p> | 04 |
|  | <p>03.05.25</p> <p>KÖŞE FİTİLİ (SAĞ) CORNER GASKET (RIGHT)</p> <p>Malzeme / Material : EPDM 01.02.25 - 01.03.25</p> | |  | <p>03.06.25</p> <p>KÖŞE FİTİLİ (SOL) CORNER GASKET (LEFT)</p> <p>Malzeme / Material : EPDM 01.02.25 - 01.03.25</p> | 05 |
|  | <p>03.05.26</p> <p>KÖŞE FİTİLİ (SAĞ) CORNER GASKET (RIGHT)</p> <p>Malzeme / Material : EPDM 01.02.26 - 01.03.26</p> | |  | <p>03.06.26</p> <p>KÖŞE FİTİLİ (SOL) CORNER GASKET (LEFT)</p> <p>Malzeme / Material : EPDM 01.02.26 - 01.03.26</p> | 06 |
|  | <p>03.05.27</p> <p>KÖŞE FİTİLİ (SAĞ) CORNER GASKET (RIGHT)</p> <p>Malzeme / Material : EPDM 01.02.27 - 01.03.27</p> | |  | <p>03.06.27</p> <p>KÖŞE FİTİLİ (SOL) CORNER GASKET (LEFT)</p> <p>Malzeme / Material : EPDM 01.02.27 - 01.03.27</p> | |

AKSESUARLAR / KAPAKLAR -PVC PARÇALAR
ACCESSORIES / CAPS-PVC PIECES

R50

| | | | | |
|----|--|---|---|--|
| 01 |  <p>02.01.01 PVC PROFİL PVC PROFILE Malzeme / Material : PVC</p> |  |  <p>02.03.06 PVC PROFİL PVC PROFILE Malzeme / Material : PVC</p> |  <p>R50 H 09</p> |
| 02 |  <p>02.01.02 PVC PROFİL PVC PROFILE Malzeme / Material : PVC</p> |  |  <p>02.03.10 PVC PROFİL PVC PROFILE Malzeme / Material : PVC</p> |  <p>R50 H 11</p> |
| 03 |  <p>02.01.04 PVC PROFİL PVC PROFILE Malzeme / Material : PVC</p> |  |  <p>02.03.11 PVC PROFİL PVC PROFILE Malzeme / Material : PVC</p> |  |
| 04 |  <p>02.01.05 PVC PROFİL PVC PROFILE Malzeme / Material : PVC</p> |  |  <p>03.01.01 SU TAHLİYE PARÇASI WATER DISCHARGE PART</p> |  <p>03.01.01.50R</p> |
| 05 |  <p>02.01.07 PVC PROFİL PVC PROFILE Malzeme / Material : PVC</p> |  |  <p>04.10.17 PVC KAPAK PVC CAP R50 P 06 İÇİN FOR R50 P 06</p> |  |
| 06 |  <p>02.01.08 PVC PROFİL PVC PROFILE Malzeme / Material : PVC</p> |  |  <p>04.10.21 PVC KAPAK PVC CAP R50 P 32 İÇİN FOR R50 P 32</p> |  |
| |  <p>02.01.09 PVC PROFİL PVC PROFILE Malzeme / Material : PVC</p> |  |  <p>04.15.03 KASET SEVİYE TAKOZU VENT SUPPORT PART Malzeme / Material : PVC</p> |  <p>R50 V 26 R50 V 27 R50 V 28 R50 V 34</p> |

| | | | | | | |
|---|--|--|--|---|---|-----------|
|  | <p>04.15.04</p> <p>KASET SEVİYE TAKOZU VENT SUPPORT PART</p> <p>Malzeme / Material : PVC</p> |  <p>R50 V 26 R50 V 27 R50 V 28 R50 V 34</p> |  <p>ÖLÇEK/SCALE:1/2</p> | <p>04.10.38</p> <p>DİLATASYON PROFİL KAPAĞI DILATATION COVER PROFILE</p> <p>Malzeme / Material : PVC</p> |  | <p>01</p> |
|  | <p>11.01.01</p> <p>KASET YAN TAKOZLARI VENT SUPPORT PART</p> <p>Malzeme / Material : PVC</p> |  |  | <p>03.01.06</p> <p>TAHLİYE EK PARÇASI DISCHARGE FITTINGS</p> <p>Malzeme / Material : PVC</p> |  | <p>02</p> |
|  | <p>11.01.02</p> <p>KASET SABİTLEME PARÇASI VENT FIXING PART SOL / LEFT</p> <p>Malzeme / Material : Alüminyum Aluminium</p> |  | | | | <p>03</p> |
|  | <p>11.01.04</p> <p>KASET SABİTLEME PARÇASI VENT FIXING PART SAĞ / RIGHT</p> <p>Malzeme / Material : Alüminyum Aluminium</p> |  | | | | <p>04</p> |
|  | <p>11.01.03</p> <p>KASET BAĞLANTI PARÇASI VENT CONNECTION PART</p> <p>Malzeme / Material : Alüminyum Aluminium</p> |  | | | | <p>05</p> |
|  | <p>11.02.14</p> <p>CAM TAKOZU GLASS SUPPORT</p> <p>Malzeme / Material : PVC</p> |  <p>R50 V 26 R50 V 28</p> | | | | <p>06</p> |
|  | <p>11.02.15</p> <p>CAM TAKOZU GLASS SUPPORT</p> <p>Malzeme / Material : PVC</p> |  <p>R50 V 27</p> | | | | |

CEPHE MAKASLARI / ARMS FOR CURTAIN WALL



GIESSE CEPHE MAKASLARI
GIESSE ARMS FOR CURTAIN WALL

Malzeme / Material : Paslanmaz Çelik
Stainless Steel

EN 13126-6 : 2007

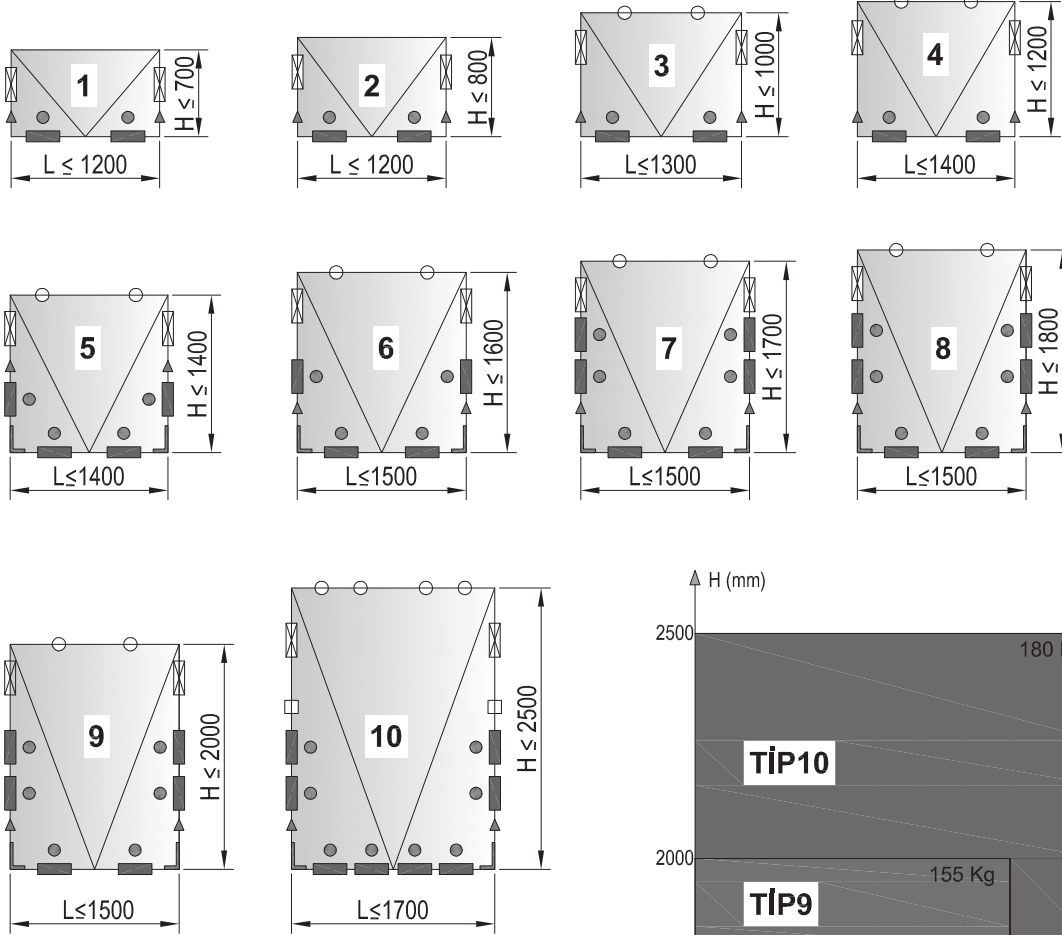
| GIESSE DİŐA AÇILIM MAKAS GIESSE ARM FOR TOP HUNG | MAKAS BOYU ARM LENGHT | | KANAT GENİŐLİĐİ SASH WIDTH (mm) | KANAT YÜKSEKLİĐİ SASH HEIGHT (mm) | KANAT AĐIRLIĐI SASH WEIGHT (Kg) | MAX.AÇMA DERECEŐİ MAX.OPENING ANGLE |
|---|--------------------------|-------|------------------------------------|--------------------------------------|------------------------------------|--|
| | INCH | MM | | | | |
| 07.03.14 | 10" | 261,5 | 1200 | 700 | 50 kg | 35° |
| 07.03.02 | 12" | 317,5 | 1200 | 800 | 60 kg | 30° / 35° |
| 07.03.03 | 14" | 353,5 | 1300 | 1000 | 69,5 kg | 30° / 35° |
| 07.03.13 | 16" | 414,5 | 1400 | 1200 | 88,5 kg | 25° / 30° |
| 07.03.04 | 18" | 458,5 | 1400 | 1400 | 102 kg | 25° / 30° |
| 07.03.12 | 20" | 511,5 | 1500 | 1600 | 135 kg | 20° / 25° |
| 07.03.15 | 22" | 556,5 | 1500 | 1700 | 137 kg | 20° / 25° |
| 07.03.16 | 24" | 602,5 | 1500 | 1800 | 139 kg | 20° / 25° |
| 07.03.17 | 28" | 707,5 | 1500 | 2000 | 155 kg | 10° / 15° / 20° |
| 07.03.18* | 26" | 690 | *1700 | *2500 | *180 kg | *7° |

ÖZEL RÜZGAR YÜKÜ KOŐULLARI İÇİN SİPARİŐ ÖNCESİ BİLGİ ALINMALIDIR.
FOR SPECIAL WIND LOAD CONDITIONS TAKE ADDITIONAL INFORMATION BEFORE ORDERING.

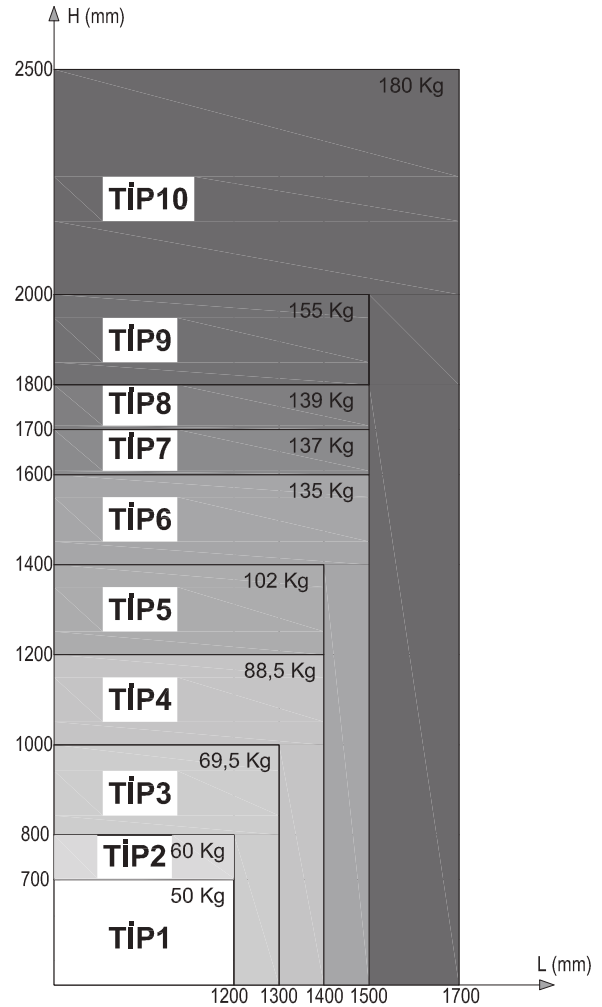
*07.03.18 KODLU MAKAS İLAVE LİMİTLEME MAKASI İLE BİRLİKTE KULLANILMALIDIR.
07.03.18 ARM MUST BE USED WITH ADDITIONAL LASER ARM

KİLİTLEME SETLERİ / LOCKING KITS

KANAT EBATLARINA GÖRE KİLİTLEME TİPLERİ
TYPES OF LOCKING KITS FOR TOP HUNG WINDOW



| | | |
|--|--|----------|
| | | 07.03.xx |
| | | 07.09.09 |
| | | 07.13.06 |
| | | 11.01.01 |
| | | 07.09.10 |
| | | 07.21.02 |
| | | 07.03.19 |



KİLİTLEME SETLERİ TABLOSU / LOCKING KITS TABLE

KİLİTLEME TİPLERİNE GÖRE AKSESUAR SEÇİM TABLOSU
ACCESSORIES SELECTION TABLE ACCORDING TO LOCKING TYPES

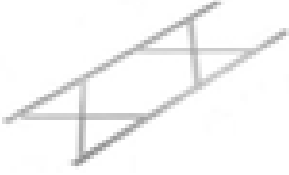
| TİP TYPE | MAKAS (tk) ARM (tk) | 07.05.27 CEPHE KOLU HANDLE | 07.25.03 KOL BAĞLANTISI CONNECTION ROD | 07.09.09 KARŞILIK STRIKER | 07.13.06 PİM PAWL | 11.01.01 KANAT YAN TAKOZU SUPPORT BLOCK | 07.09.10 ÜST KİLİTLEME BURGLAR BOLT | 07.21.02 KÖŞE DÖNME CORNER DRIVE | 07.03.19 LİMİTLEME MAKASI LASER ARM |
|-------------|------------------------|----------------------------------|--|---------------------------------|-------------------------|---|---|--|---|
| 1 | 07.03.14 | 1 | 2 | 2 | 2 | 2 | | | |
| 2 | 07.03.02 | 1 | 2 | 2 | 2 | 2 | | | |
| 3 | 07.03.03 | 1 | 2 | 2 | 2 | 2 | 2 | | |
| 4 | 07.03.13 | 1 | 2 | 2 | 2 | 2 | 2 | | |
| 5 | 07.03.04 | 1 | 2 | 4 | 4 | 2 | 2 | 2 | |
| 6 | 07.03.12 | 1 | 2 | 4 | 4 | 2 | 2 | 2 | |
| 7 | 07.03.15 | 1 | 2 | 6 | 6 | 2 | 2 | 2 | |
| 8 | 07.03.16 | 1 | 2 | 6 | 6 | 2 | 2 | 2 | |
| 9 | 07.03.17 | 1 | 2 | 6 | 6 | 2 | 2 | 2 | |
| 10 | 07.03.18 | 1 | 2 | 8 | 8 | 2 | 4 | 2 | 2 |

***Giesse kol ve kilitleme aksesuarları 25 I 07 tij profili ile kullanılmalıdır.
Giesse handle and locking accessories should be used with 25 I 07 rod profile

AKSESUARLAR / AÇILIM AKSESUARLARI ACCESSORIES / OPENING ACCESSORIES

R50

PARALEL AÇILIM MAKASLARI / SHEAR PARALLEL EXPANSION



GU PARALEL AÇILIM MAKAS
GU SHEAR PARALLEL EXPANSION

Malzeme / Material : Paslanmaz Çelik
Stainless Steel

*1500MM GENİŞLİK, 1250MM YÜKSEKLİĞİN ÜZERİNDEKİ KANATLAR MOTORLU UYGULAMA YAPILMALIDIR.
L>1500MM, H>1250MM SIZES MUST BE OPERATED VIA CHAIN ACTUATORS.

*2000MM GENİŞLİK, 3000MM YÜKSEKLİK VE 200 KG'A KADAR KANATLAR MANUEL OLARAK KUMANDA EDİLEBİLİR.
L=2000 MM, H>3000MM SIZES AND W=200KG CAN BE OPERATED MANUALLY

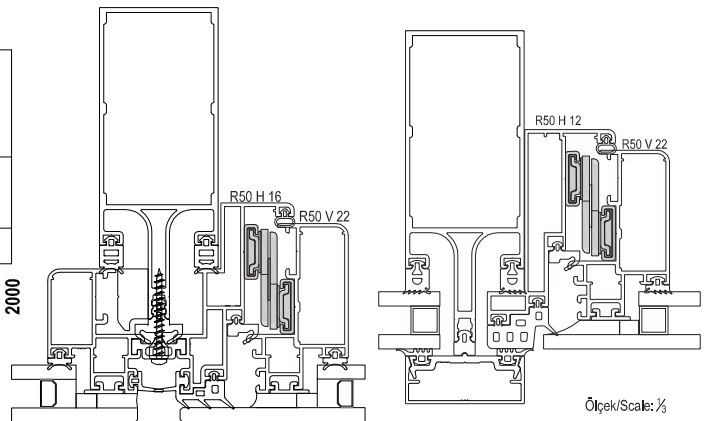
*DİKEY OLARAK MONTE EDİLEN HER BİR PARALEL MAKAS TİPİNE UYGUN 1 ADET STOPLAMA MAKASI KULLANILMALIDIR.
EACH ARM, ASSEMBLED VERTICALLY, MUST BE USED WITH APPROPRIATE STOPPER PLATE

*TABLODA BELİRTİLEN ÖLÇÜLERİN DIŞINDAKİ KANATLARIN PARALEL AÇILIMA UYGUNLUĞU İÇİN MÜŞTERİ TEMSİLCİNİZ İLE İRTİBATA GEÇEBİLİRSİNİZ.
YOU CAN CONTACT YOUR CUSTOMER REPRESENTATIVE FOR CONVENIENCE OF PARALLEL OPENING OF THE VENTS, WHICH ARE NOT SPECIFIED IN THE TABLE, AS EXCEPTIONAL DIMENSIONS.

KANAT EBATLARINA GÖRE PARALEL AÇILIM MAKAS SEÇİM TABLOSU
SELECTION TABLE FOR PARALLEL OPENING ARM

| KANAT YÜKSEKLİĞİ / SASH HEIGHT (mm) | KANAT EBATLARINA GÖRE PARALEL AÇILIM MAKAS SEÇİM TABLOSU | | | | | | | | | | | | | | | | | | |
|-------------------------------------|--|-----|-----|-----|-----|-----|-----|-----|------|------|------|------|------|------|------|------|------|------|------|
| | 250 | 350 | 450 | 550 | 670 | 750 | 850 | 950 | 1050 | 1150 | 1230 | 1300 | 1400 | 1500 | 1600 | 1700 | 1800 | 1900 | 2000 |
| 3000 | | | | | | | | | | | | | | | | | | | |
| 2900 | | | | | | | | | | | | | | | | | | | |
| 2800 | | | | | | | | | | | | | | | | | | | |
| 2700 | | | | | | | | | | | | | | | | | | | |
| 2600 | E6 | E7 | E8 | | | | | | | | | | | | | | | | E10 |
| 2500 | | | | | | | | | | | | | | | | | | | |
| 2400 | | | | | | | | | | | | | | | | | | | |
| 2300 | | | | | | | | | | | | | | | | | | | |
| 2200 | | | | | | | | | | | | | | | | | | | |
| 2100 | | | | | | | | | | | | | | | | | | | |
| 2000 | D6 | D7 | D8 | | | | | | | | | | | | | | | | D10 |
| 1900 | | | | | | | | | | | | | | | | | | | |
| 1800 | | | | | | | | | | | | | | | | | | | |
| 1700 | | | | | | | | | | | | | | | | | | | |
| 1600 | | | | | | | | | | | | | | | | | | | |
| 1500 | | | | | | | | | | | | | | | | | | | |
| 1400 | | | | | | | | | | | | | | | | | | | |
| 1300 | D1 | D2 | D3 | | | | | | | | | | | | | | | | D5 |
| 1230 | | | | | | | | | | | | | | | | | | | |
| 1150 | | | | | | | | | | | | | | | | | | | |
| 1050 | C1 | C2 | C3 | | | | | | | | | | | | | | | | C5 |
| 970 | | | | | | | | | | | | | | | | | | | |
| 850 | B1 | B2 | B3 | | | | | | | | | | | | | | | | B5 |
| 750 | | | | | | | | | | | | | | | | | | | |
| 650 | A1 | A2 | A3 | | | | | | | | | | | | | | | | A5 |

| YAN MAKASLAR / SIDE MOUNTED HINGES | | | | | | | ALT-ÜST MAKASLAR / CONTROL STAYS | | | | |
|------------------------------------|----------------------|------------------|-----------------------|------------------|-------------------|------------------|----------------------------------|-------------|------------------|---------------|------------------|
| | SOL YAN LEFT SIDE | | SAĞ YAN RIGHT SIDE | | STOPLAMA STOPS | | MAKS.AĞIRLIK MAX.WEIGHT | ÜST TOP | | ALT BOTTOM | |
| | KOD CODE | ADET QUANTITY | KOD CODE | ADET QUANTITY | KOD CODE | ADET QUANTITY | | KOD CODE | ADET QUANTITY | KOD CODE | ADET QUANTITY |
| A | 07.03.47. | 1 | 07.03.46. | 1 | 07.03.55. | 2 | 100 kg | 1 | 07.03.45. | 1 | - |
| B | 07.03.49. | 1 | 07.03.48. | 1 | 07.03.54. | 2 | 100 kg | 2 | 07.03.46. | 1 | - |
| C | 07.03.51. | 1 | 07.03.50. | 1 | 07.03.56. | 2 | 200 kg | 3 | 07.03.48. | 1 | - |
| D | 07.03.53. | 1 | 07.03.52. | 1 | 07.03.54. | 2 | 200 kg | 4 | 07.03.50. | 1 | - |
| E | 07.03.53. | 2 | 07.03.52. | 2 | 07.03.54. | 4 | 200 kg | 5 | 07.03.52. | 1 | - |
| | | | | | | | | 6 | 07.03.45. | 1 | 07.03.45. |
| | | | | | | | | 7 | 07.03.46. | 1 | 07.03.46. |
| | | | | | | | | 8 | 07.03.48. | 1 | 07.03.48. |
| | | | | | | | | 9 | 07.03.50. | 1 | 07.03.50. |
| | | | | | | | | 10 | 07.03.52. | 1 | 07.03.52. |



PENCERE MOTORLARI / WINDOW MOTORS

| KOD CODE | AÇIKLAMA DESCRIPTION |
|-------------|--|
| 07.28.05 | GIESSE ZİNCİRLİ PENCERE MOTORU / GIESSE VARIA SLIM RADIO |
| 07.28.07 | GIESSE ZİNCİRLİ PENCERE MOTORU / GIESSE VARIA SLIM |
| 07.28.08 | GIESSE ZİNCİRLİ PENCERE MOTORU / GIESSE VARIA SLIM |



| KOD CODE | AÇIKLAMA DESCRIPTION |
|-------------|--|
| 07.28.09 | GIESSE UZAKTAN KUMANDA / GIESSE REMOTE CONTROL |



01

02








03

04

05

06

GIESSE KANAT AÇILIM AKSESUARLARI / GIESSE OPENING ACCESSORIES FOR TOP - HUNG WINDOW

| | |
|--|---|
|  <p>07.05.27 GIESSE CEPHE KOLU GIESSE HANDLE FOR CURTAIN WALL Renk / Colour : Siyah-Gri Black-Grey</p> |  <p>07.25.03 GIESSE KOL BAĞLANTI PARÇASI GIESSE CONNECTION ROD Malzeme / Material : Zamak</p> <p>07.05.27 Kol için / For Handle 07.05.27</p> |
|  <p>07.13.06 GIESSE AYARLI PİM GIESSE ADJUSTABLE LOCKING PAWL Malzeme / Material : Zamak / Zamak</p> |  <p>07.09.09 GIESSE PİM KARŞILIĞI GIESSE STRIKER Malzeme / Material : Zamak / Zamak</p> |
|  <p>07.09.10 GIESSE ÜST KİLİTLEME GIESSE BURGLAR BOLT Malzeme / Material : Zamak / Poliamid Zamak / Polyamide</p> |  <p>07.21.02 GIESSE KÖŞE DÖNME GIESSE CORNER DRIVE Malzeme / Material : Zamak / Zamak</p> |
|  <p>07.03.19 GIESSE LİMİTLEME MAKASI GIESSE LASER ARM</p> | |

01

02

03

04

05

06

KANAT AÇILIM AKSESUARLARI / OPENING ACCESSORIES FOR TOP - HUNG WINDOW



07.05.23

RESCARA CEPHE KOLU
HANDLE FOR CURTAIN WALL

Renk / Colour : Beyaz-Gr-Ham
White-Grey-Pres



07.13.05

PİM
PIN

07.05.23 Kol için / For Handle 07.05.23



07.09.05

PİM KARŞILIĞI
LOCK PLATE

Malzeme / Material : Zamak

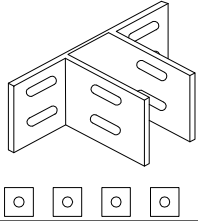


07.21.03

RESCARA KÖŞE DÖNME
RESCARA CORNER DRIVE

Malzeme / Material : Zamak / Zamak

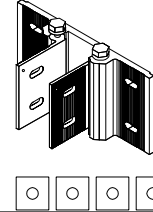
DİĞER / OTHERS



08.01.01

SABİT ANKRAJ + PUL
FIX ANCHORAGE - ROVE

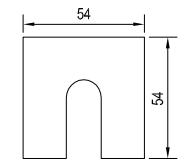
Malzeme / Material : Alüminyum / Aluminium



08.01.02

HAREKETLİ ANKRAJ + PUL
MOVE ANCHORAGE + ROVE

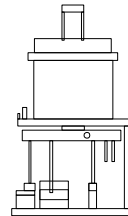
Malzeme / Material : Alüminyum / Aluminium



04.09.01

SABİT ANKRAJ İÇİ PLASTİĞİ
PVC FOR ANCHORAGE

Malzeme / Material : PVC

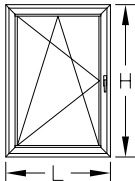


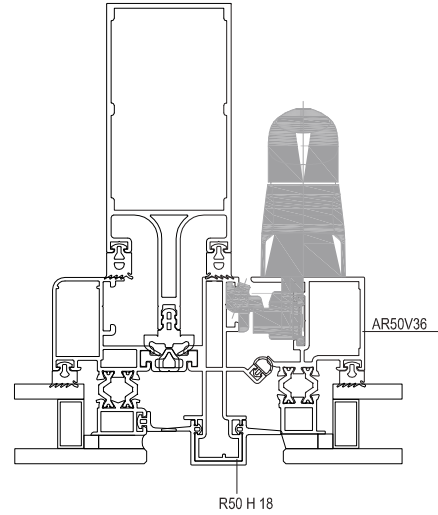
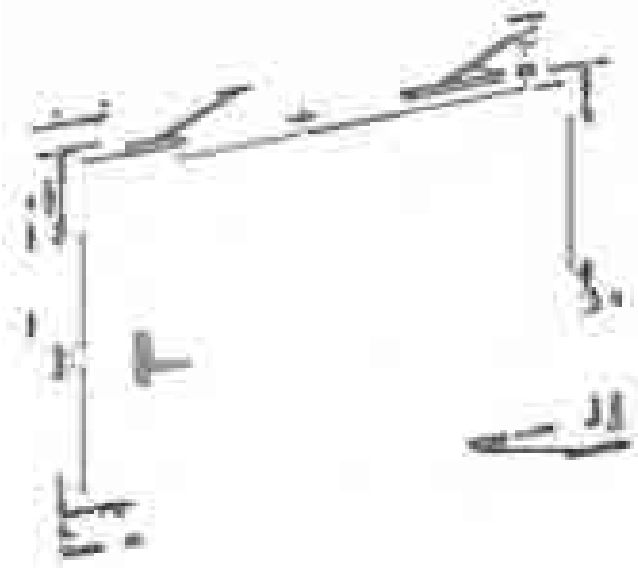
21.01.03

PUNCH MAKİNESİ
PUNCH MACHINE

(PNÖMATİK)

ÇİFT EKSEN MEKANİZMASI / TILT&TURN MECHANISM

|  | | SAVIO ÇİFT EKSEN MEKANİZMASI SAVIO TILT&TURN MECHANISM | | |
|---|-------------|---|--------------------------------------|------------------------------------|
| | | Malzeme / Material : Paslanmaz Çelik | | |
| SAĞ RIGHT | SOL LEFT | KANAT GENİŞLİĞİ SASH WIDTH (mm) | KANAT YÜKSEKLİĞİ SASH HEIGHT (mm) | KANAT AĞIRLIĞI SASH WEIGHT (Kg) |
| 07.34.01 | 07.34.02 | 500-1200 | 600-1400 | 100 kg |
| 07.34.03 | 07.34.04 | 1201-1400 | 600-1400 | 100 kg |
| 07.34.05 | 07.34.06 | 500-1200 | 1401-2400 | 100 kg |
| 07.34.07 | 07.34.08 | 1201-1400 | 1401-2400 | 100 kg |
| 07.34.09 | 07.34.10 | 1401-1700 | 1401-2400 | 100 kg |



Ölçek/Scale: 1/2

*KOL, MENTEŞELER, MAKASLAR, KİLİTLEME PARÇALARI SETE DAHİLDİR.
KIT INCLUDES HANDLE, HINGES, FRICTION HINGES, LOCKING PARTS AND BOLT.