

ICON 70

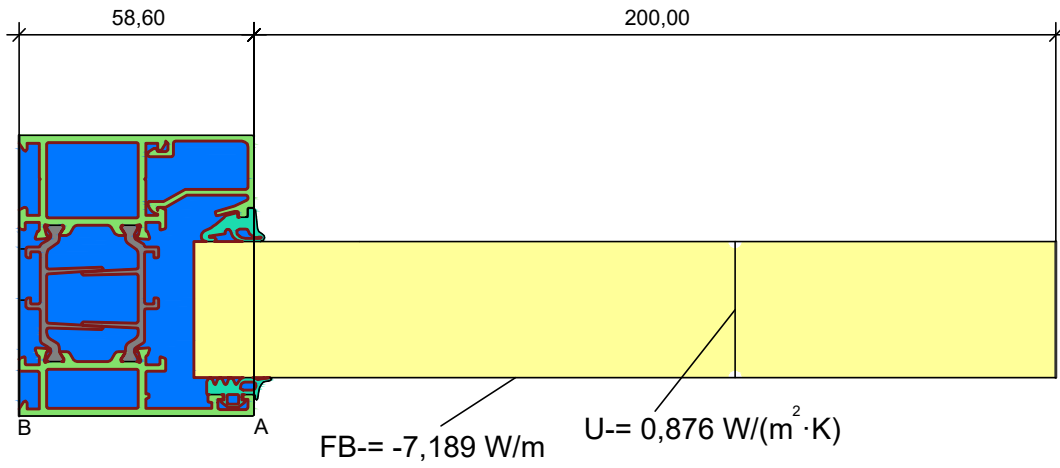
KAPI ve PENCERE SİSTEMİ

DOOR and WINDOW SYSTEM

A	ISI HESAPLARI ve PERFORMANS THERMAL CALCULATIONS and PERFORMANCE	A-	01 / A-05
B	ALUMİNYUM PROFİLLER ALUMINIUM PROFILES	B-	01 / B-11
C	CAM MONTAJ TALİMATI GLAZING ASSEMBLY	C-	01 / C-09
D	CONTALAR GASKETS	D-	01 / D-03
E	AKSESUARLAR ACCESSORIES	E-	01 / E-05
F	TAM ÖLÇEKLİ PROFİLLER FULL SCALE PROFILES.....	F-01 /	F-43
G	PRENSİP SİSTEM DETAYLARI PRINCIPAL SECTIONS.....	G-	01 / G-51

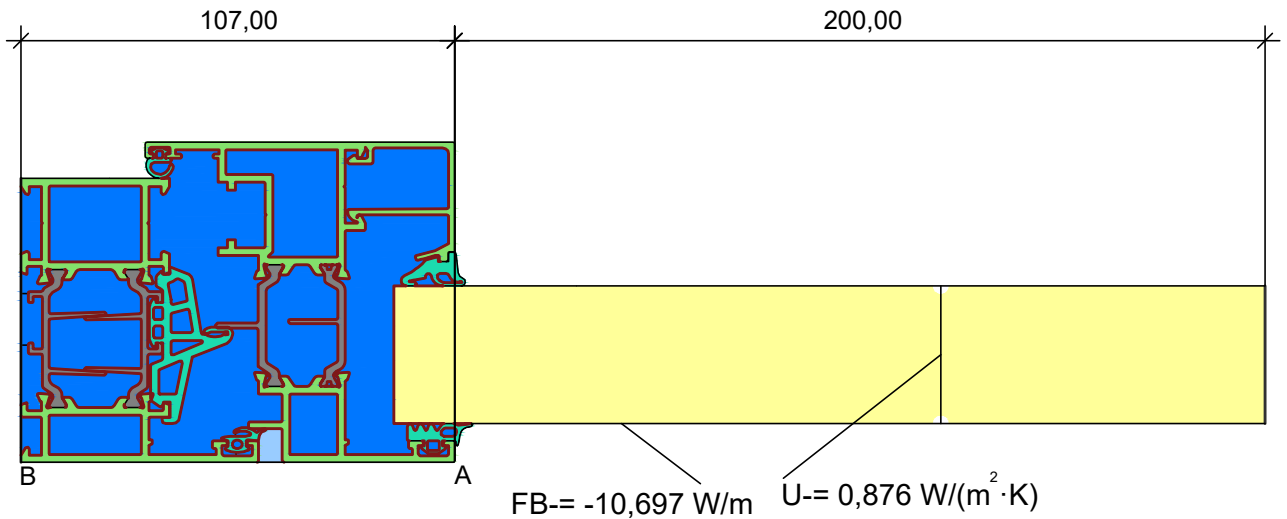
ICON 70
KAPI ve PENCERE SİSTEMİ
DOOR and WINDOW SYSTEM

THERMAL HESAPLAR
THERMAL CALCULATIONS



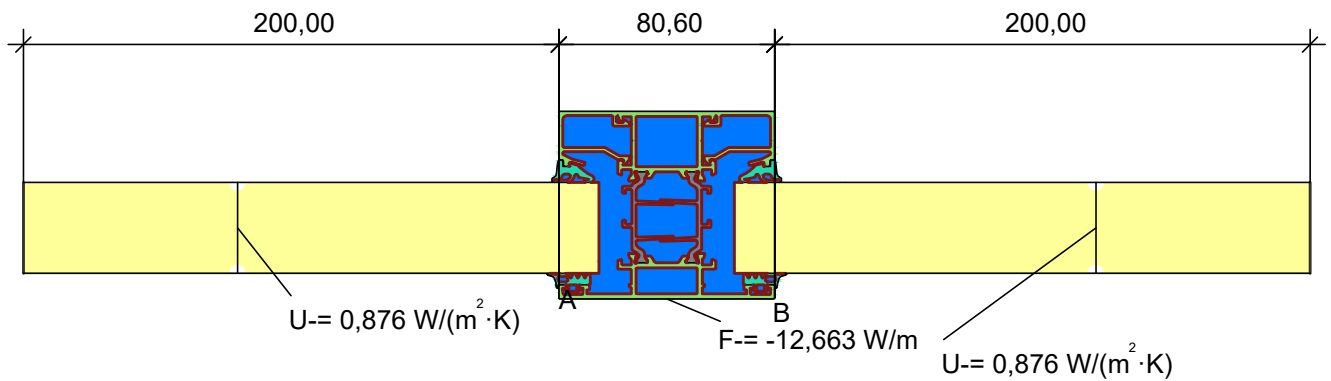
$$U_{f,A,B} = \frac{\frac{\Phi}{DT} \cdot b_p}{b_f} = \frac{\frac{7,189}{24,000} - 0,876 \cdot 0,200}{0,059} = 2,12 \text{ W/(m} \cdot \text{K)}$$

Material	λ [W/(m·K)]	ϵ	Boundary Condition	q [W/m ²]	t [C°]	R [(m·K) ² /W]	ϵ
Aluminium (Si alloys)	160,000	0,900	Epsilon 0.9				0,900
EPDM (ethylene propylene diene monomer)	0,250	0,900	Exterior, frame	-2,000		0,040	
Panel	0,035	0,900	Interior, frame, normal	22,000		0,130	
Polyamid 6.6 with 25% glass fibre	0,300	0,900	Interior, frame, reduced	22,000		0,200	
Unventilated air cavity			Symmetry/Model section	0,000			



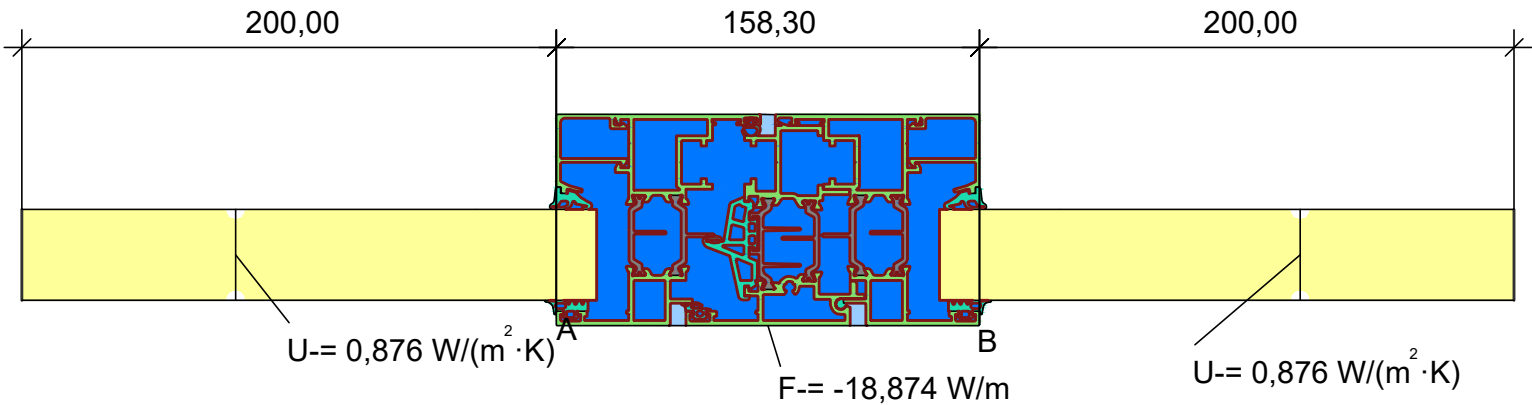
$$U_{f,A,B} = \frac{\frac{\Phi}{DT} \cdot U_p \cdot b_p}{b_f} = \frac{\frac{10,697}{24,000} - 0,876 \cdot 0,200}{0,107} = 2,53 \text{ W/(m}^2 \cdot \text{K)}$$

Material	λ [W/(m·K)]	ϵ	Boundary Condition	q [W/m ²]	T [C°]	R [(m·K) ² /W]	ϵ
Aluminium (Si alloys)	160,000	0,900	Epsilon 0.9				0,900
EPDM (ethylene propylene diene monomer)	0,250	0,900	Exterior, frame	-2,000		0,040	
Panel	0,035	0,900	Interior, frame, normal	22,000		0,130	
Polyamid 6.6 with 25% glass fibre	0,300	0,900	Interior, frame, reduced	22,000		0,200	
Unventilated air cavity			Symmetry/Model section	0,000			



$$U_{f A,B} = \frac{\Phi}{DT} = \frac{12,663}{24,000} - 0,876 \cdot 0,200 - 0,876 \cdot 0,200 = 2,20 \text{ W}/(\text{m}^2 \cdot \text{K})$$

Material	λ [W/(m·K)]	ϵ	Boundary Condition	q [W/m ²]	q [C°]	R [(m·K)/W]	ϵ
Aluminium (Si alloys)	160,000	0,900	Epsilon 0.9				0,900
EPDM (ethylene propylene diene monomer)	0,250	0,900	Exterior, frame	-2,000		0,040	
Panel	0,035	0,900	Interior, frame, normal	22,000		0,130	
Polyamid 6.6 with 25% glass fibre	0,300	0,900	Interior, frame, reduced	22,000		0,200	
Unventilated air cavity			Symmetry/Model section	0,000			



$$U_{f A,B} = \frac{\Phi}{DT} = \frac{18,874}{24,000} - 0,876 \cdot 0,200 - 0,876 \cdot 0,200 = 2,75 \text{ W/(m}^2 \cdot \text{K)}$$

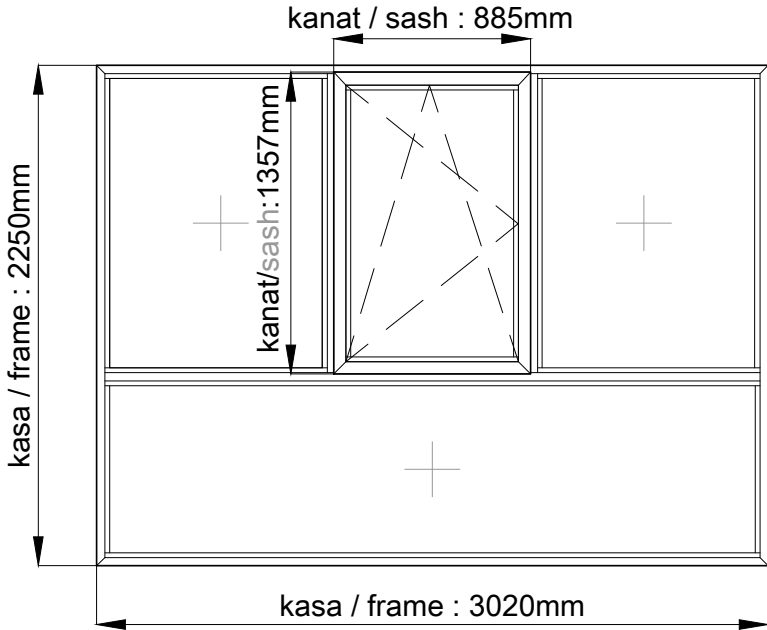
bf 0,158

Material	l [W/(m·K)]	ε	Boundary Condition	q [W/m ²]	q [C°]	R [(m·K) ² /W]	ε
Aluminium (Si alloys)	160,000	0,900	Epsilon 0.9				0,900
EPDM (ethylene propylene diene monomer)	0,250	0,900	Exterior, frame	-2,000		0,040	
Panel	0,035	0,900	Interior, frame, normal	22,000		0,130	
Polyamid 6.6 with 25% glass fibre	0,300	0,900	Interior, frame, reduced	22,000		0,200	
Unventilated air cavity			Symmetry/Model section	0,000			

ICON 70

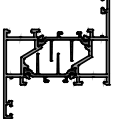
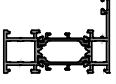
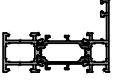
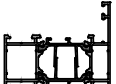


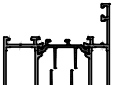
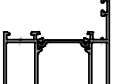
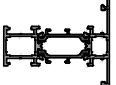
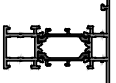
KAPI ve PENCERE SİSTEMİ

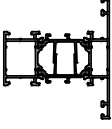
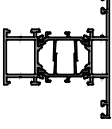
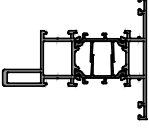
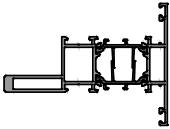
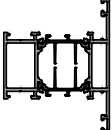
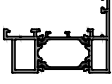
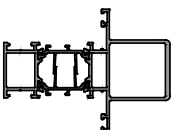
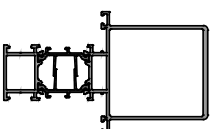
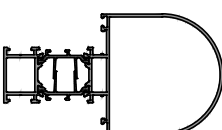
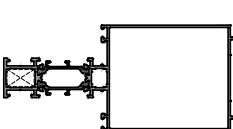
DOOR and WINDOW SYSTEM

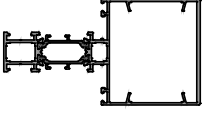
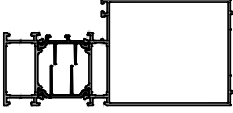
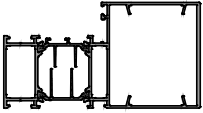

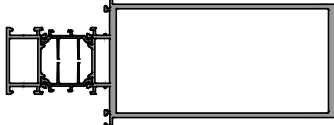
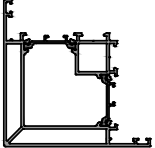

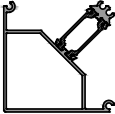
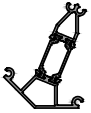
PERFORMANS TESTİ - performance test	
	
TS EN 12207 - HAVA GEÇİRGENLİĞİ TS EN 12207 - air permability	A 4 (± 600 pa)
TS EN 12208 - SU SIZDIRMAZLIĞI TS EN 12208 - water tightness	E 900 (± 900 pa) E 900 (± 900 pa)
TS EN 12210 - RÜZGAR YÜKÜ DAYANIMI TS EN 12210 - resistance to design wind load	(± 1400 pa)
TS EN 12210 - ARTTIRILMIŞ RÜZGAR YÜKÜ DAYANIMI TS EN 12210 - resistance to safety wind load	(± 2100 pa)
LABORATUAR ve TEST RAPORU NUMARASI Laboratory and test report number	FTI facade testing institute 020.708.1 / 2016

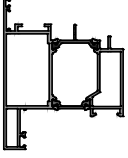

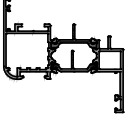
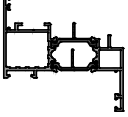
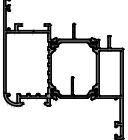
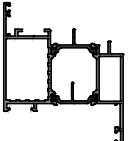
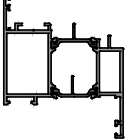
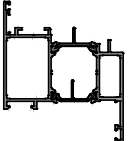
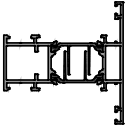
ICON 70
KAPI ve PENCERE SİSTEMİ
DOOR and WINDOW SYSTEM

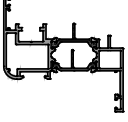
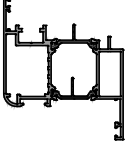
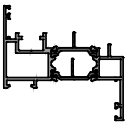
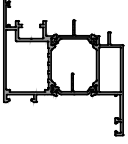
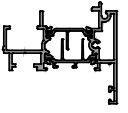
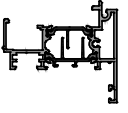
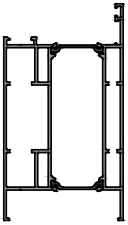
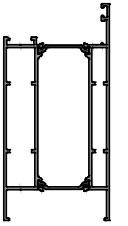
ALUMİNYUM PROFİLLER
ALUMINIUM PROFILES

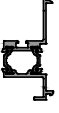
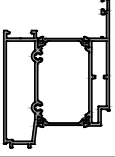








PROFİL ŞEKLİ PROFILE SECTION	PROFİL ADI PROFILE NO	KALIP KODU DIE NO	PROFİL TANIMI PROFILE DESCRIPTION	AĞIRLIK WEIGHT
	P 1536	15289 + 15289	Z KASA PROFİLİ Z frame profile	1,890kg/mt
	P 1229	13995 + 13997	28mm L KASA PROFİLİ 28mm L frame profile	1,465kg/mt
	P 1889	20-5416 + 20-5478	26mm L KASA PROFİLİ 26mm L frame profile	1,335kg/mt
	P 1932	17343 + 17345	35.6mm L KASA PROFİLİ 35.6mm L frame profile	1,427kg/mt
	P 1153	13102 + 13103	36.6mm L KASA PROFİLİ 36.6mm L frame profile	1,690kg/mt
	P 1537	14209 + 15290	44mm L KASA PROFİLİ 44mm L frame profile	1,885kg/mt
	P 1873	20-5414 + 20-5415	48mm L KASA PROFİLİ 48mm L frame profile	1,780kg/mt
	P 1624	15438 + 15439	59mm L KASA PROFİLİ 59mm L frame profile	2,065kg/mt
	P 1872	20-5416 + 20-5417	26mm L KASA PROFİLİ 26mm L frame profile	1,470kg/mt
	P 1228	13995 + 13996	28mm ORTA KAYIT PROFİLİ 28mm mullion profile	1,615kg/mt











PROFİL ŞEKLİ PROFILE SECTION	PROFİL ADI PROFILE NO	KALIP KODU DIE NO	PROFİL TANIMI PROFILE DESCRIPTION	AĞIRLIK WEIGHT
	P 1917	17344 + 17346	35.6mm ORTA KAYIT PROFİLİ 35.6mm mullion profile	1,548kg/mt
	P 1152	13102 + 13104	36.6mm ORTA KAYIT PROFİLİ 36.6mm mullion profile	1,835kg/mt
	P 1623	16422 + 13104	36.6mm ORTA KAYIT PROFİLİ 36.6mm mullion profile	2,150kg/mt
	P 1707	17018 + 13104	36.6mm ORTA KAYIT PROFİLİ 36.6mm mullion profile	2,340kg/mt
	P 1335	14209 + 14210	44mm ORTA KAYIT PROFİLİ 44mm mullion profile	2,030kg/mt
	P 1538	15291 + 15292	DIŞA AÇILIM ADAPTÖR PROFİLİ adapter profile for outside opening	1,395kg/mt
	P 1150	13102 + 13105	36.6mm TAKVİYELİ ORTA KAYIT PROFİLİ 36.6mm mullion profile with reinforcement	2,555kg/mt
	P 1151	13102 + 13106	36.6mm TAKVİYELİ ORTA KAYIT PROFİLİ 36.6mm mullion profile with reinforcement	3,005kg/mt
	P 1225	13102 + 13914	36.6mm DAİRESEL ORTA KAYIT PROFİLİ 36.6mm mullion profile with reinforcement	2,835kg/mt
	P 1870	20-5416 + 20-5420	26mm TAKVİYELİ ORTA KAYIT PROFİLİ 26mm mullion profile with reinforcement	2,470kg/mt



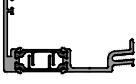
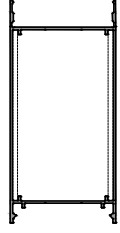

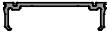
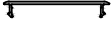
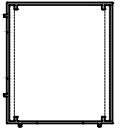

PROFİL ŞEKLİ PROFILE SECTION	PROFİL ADI PROFILE NO	KALIP KODU DIE NO	PROFİL TANIMI PROFILE DESCRIPTION	AĞIRLIK WEIGHT
	P 1871	20-5416 + 20-5418	26mm TAKVİYELİ ORTA KAYIT PROFİLİ 26mm mullion profile with reinforcement	2,485kg/mt
	P 1875	20-5414 + 20-5421	48mm TAKVİYELİ PROFİL 48mm frame profile reinforcement	2,795kg/mt
	P 1874	20-5414 + 20-5419	48mm TAKVİYELİ PROFİL 48mm frame profile reinforcement	2,800kg/mt
	P 1693	17021 + 17019	36mm TAKVİYELİ PROFİL 36mm reinforcement profile	4,153kg/mt
	P 1955	14209 + 15408	44mm TAKVİYELİ PROFİL 44mm reinforcement profile	6,227kg/mt
	P 1540	15346 + 15298	90° KÖŞE KASA PROFİLİ 90° corner frame profile	2,845kg/mt
	P 1539	15312 + 15345	AÇILI BİRLEŞİM GEÇİŞ PROFİLİ adapter profile for segmented windows	1,465kg/mt
	P 1541	15347 + 15300	90° KÖŞE ADAPTÖR PROFİLİ internal-external 90° corner adapter profile	1,755kg/mt
	P 1542	15348 + 15302	135° KÖŞE ADAPTÖR PROFİLİ internal-external 135° corner adapter profile	1,175kg/mt


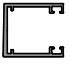
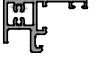
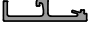





PROFİL ŞEKLİ PROFILE SECTION	PROFİL ADI PROFILE NO	KALIP KODU DIE NO	PROFİL TANIMI PROFILE DESCRIPTION	AĞIRLIK WEIGHT
	P 1543	15303 + 13739	DIŞA AÇILIR KAPI KANAT PROFİLİ outward opening door sash profile with euro channel	2,310kg/mt
	P 1231	14008 + 14009	EŞİK PROFİLİ threshold profile	0,810kg/mt
	P 1147	13693 + 13694	54mm KANAT PROFİLİ 54mm sash profile with euro channel	1,610kg/mt
	P 1545	15305 + 13694	54mm KANAT PROFİLİ 54mm sash profile with euro channel	1,615kg/mt
	P 1148	13695 + 13696	72mm KANAT PROFİLİ 72mm sash profile with euro channel	1,940kg/mt
	P 1544	15304 + 13696	72mm KANAT PROFİLİ 72mm sash profile with euro channel	1,920kg/mt
	P 2079	17541 + 17540	71.2mm KANAT PROFİLİ 71.2mm sash profile with euro channel	2,145kg/mt
	P 2080	5853 + 5856	71.2mm KANAT PROFİLİ 71.2mm sash profile with euro channel	2,040kg/mt
	P 1154	13101 + 13104	KANAT İÇİ ORTA KAYIT PROFİLİ mullion profile for sash	1,970kg/mt


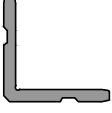

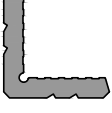
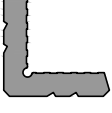
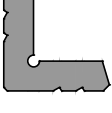

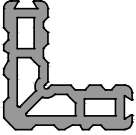
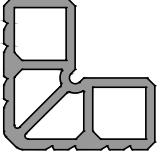
PROFİL ŞEKLİ PROFILE SECTION	PROFİL ADI PROFILE NO	KALIP KODU DIE NO	PROFİL TANIMI PROFILE DESCRIPTION	AĞIRLIK WEIGHT
	P 2078	17504 + 13694	54,5mm KANAT PROFİLİ 54,5mm sash profile with pvc channel	1,735kg/mt
	P 2076	17507 + 13696	71,5mm KANAT PROFİLİ 71,5mm sash profile with pvc channel	2,020kg/mt
	P 2077	17505 + 13694	54,5mm KANAT PROFİLİ 54,5mm sash profile with pvc channel	1,725kg/mt
	P 2075	17506 + 13696	71,5mm KANAT PROFİLİ 71,5mm sash profile with pvc channel	2,030kg/mt
	P 1157	13125 + 13126	ÇİFT KANAT ADAPTÖR PROFİLİ adapter profile for double sash	1,775kg/mt
	P 1149	13697 + 13126	ÇİFT KANAT ADAPTÖR PROFİLİ adapter profile for double sash	1,690kg/mt
	P 1230	14005 + 13934	ETEK PROFİLİ sill profile	3,585kg/mt
	P 1215	13933 + 13934	ETEK PROFİLİ sill profile	3,150kg/mt

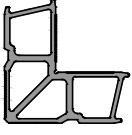

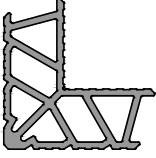
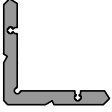
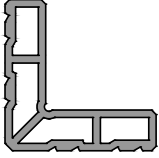
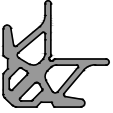
PROFİL ŞEKLİ PROFILE SECTION	PROFİL ADI PROFILE NO	KALIP KODU DIE NO	PROFİL TANIMI PROFILE DESCRIPTION	AĞIRLIK WEIGHT
	P 1220	13954 + 13955	CEPHE BİRLEŞİMİ ADAPTÖR PROFİLİ adapter profile for facade connecting	0,985kg/mt
	P 1334	14211 + 14220	ETEK YÜKSELTME PROFİLİ additional sill profile	2,310kg/mt
	P 1232	14010	DAMLALIK PROFİLİ dropper profile for sash	0,265kg/mt
	P 1020	12769	TİJ PROFİLİ (eloxal) rod profile (anodised)	0,105kg/mt
	P 1219	13953	ETEK ALT FIRÇA PROFİLİ brush profile for sill	0,405kg/mt
	P 1496	15308	2mm CAM ÇITASI 2mm glazing bead profile	0,245kg/mt
	P 1495	15307	6mm CAM ÇITASI 6mm glazing bead profile	0,270kg/mt
	P 1494	15306	10mm CAM ÇITASI 10mm glazing bead profile	0,325kg/mt
	P 1176	13698	14mm CAM ÇITASI 14mm glazing bead profile	0,335kg/mt
	P 1179	13671	18mm CAM ÇITASI 18mm glazing bead profile	0,350kg/mt

PROFİL ŞEKLİ PROFILE SECTION	PROFİL ADI PROFILE NO	KALIP KODU DIE NO	PROFİL TANIMI PROFILE DESCRIPTION	AĞIRLIK WEIGHT
	P 1105	13113	22mm CAM ÇITASI 22mm glazing bead profile	0,360kg/mt
	P 1180	13670	27mm CAM ÇITASI 27mm glazing bead profile	0,380kg/mt
	P 1158	13111	31mm CAM ÇITASI 31mm glazing bead profile	0,365kg/mt
	P 1498	15310	36mm CAM ÇITASI 36mm glazing bead profile	0,415kg/mt
	P 1497	15309	40mm CAM ÇITASI 40mm glazing bead profile	0,435kg/mt
	P 1499	15311	DIŞTAN EK CAM ÇITASI glazing bead profile for outside	0,235kg/mt
	P 1760	16214	40mm PERVAZ PROFİLİ 40mm architrave profile	0,290kg/mt
	P 1761	16210	40mm UZUN PERVAZ PROFİLİ 40mm long architrave profile	0,890kg/mt
	P 1177	12917	40mm PERVAZ PROFİLİ 40mm architrave profile	0,300kg/mt
	P 1178	13250	50mm PERVAZ PROFİLİ 50mm architrave profile	0,375kg/mt

PROFİL ŞEKLİ PROFILE SECTION	PROFİL ADI PROFILE NO	KALIP KODU DIE NO	PROFİL TANIMI PROFILE DESCRIPTION	AĞIRLIK WEIGHT
	P 1222	12795	68mm PERVAZ PROFİLİ 68mm architrave profile	0,760kg/mt
	P 2112	17164	50mm PERVAZ PROFİLİ 50mm architrave profile	0,775kg/mt
	P 1223	13965 + 13966	KÖRKASA PROFİLİ subframe profile	1,520kg/mt
	P 1880	20-5430	TAKVİYE PROFİLİ Reinforcement Profile	1,995kg/mt
	P 1224	13967	KÖRKASA KAPAK PROFİLİ glazing bead profile for subframe profile	0,605kg/mt
	P 1881	20-5431	U BAĞLANTI PROFİLİ u connector profile	0,695kg/mt
	P 1883	20-5432	KAPAK PROFİLİ cover profile	0,405kg/mt
	P 1882	20-5433	KUTU PROFİLİ rectangular profile	1,375kg/mt
	P 1887	20-5435	PERVAZ PROFİLİ architrave profile	0,615kg/mt

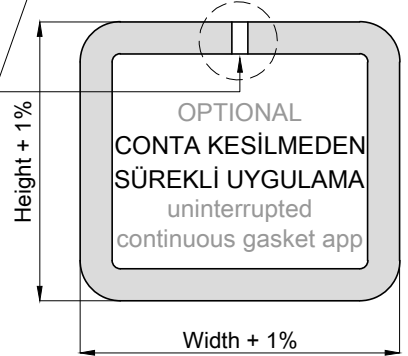
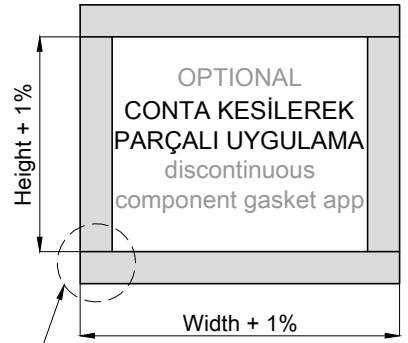
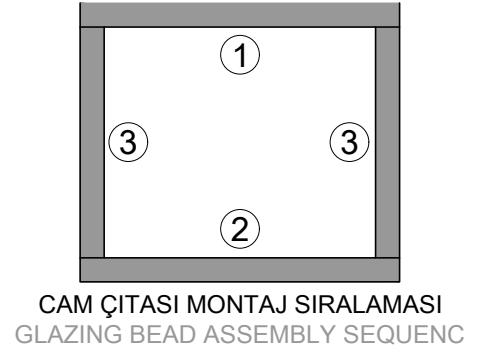
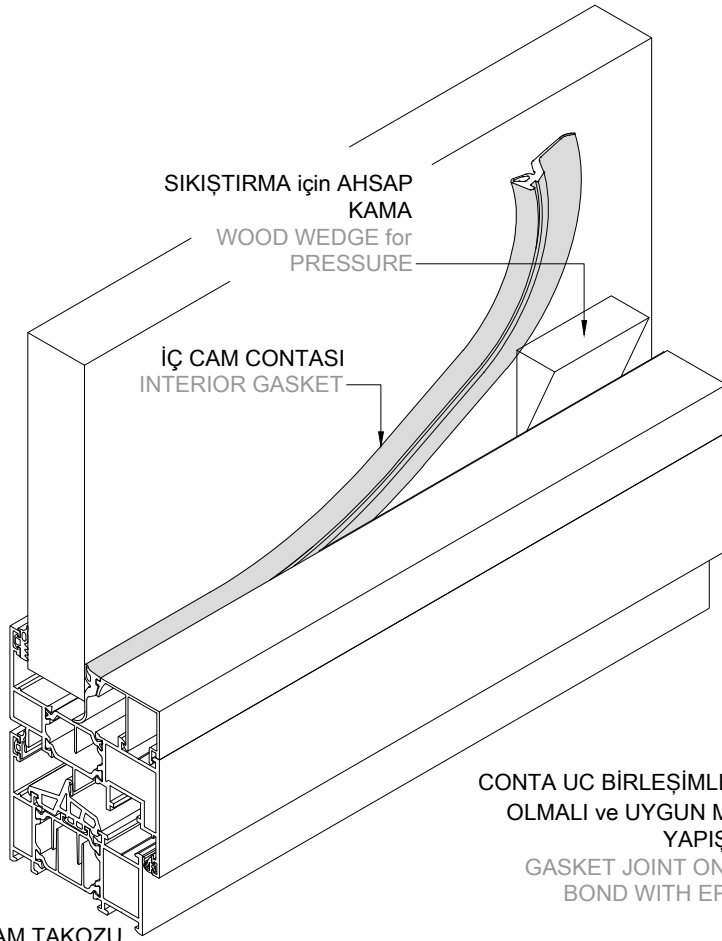
PROFİL ŞEKLİ PROFILE SECTION	PROFİL ADI PROFILE NO	KALIP KODU DIE NO	PROFİL TANIMI PROFILE DESCRIPTION	AĞIRLIK WEIGHT
	P 1885	12399	PERVAZ PROFİLİ architrave profile	0,575kg/mt
	P 1886	11414	PERVAZ BAĞLANTI PROFİLİ architrave connector profile	0,170kg/mt
	P 1694	17020	KORKULUK PROFİLİ railing profile	0,730kg/mt
	P 1918	15254	KORKULUK PROFİLİ railing profile	1,150kg/mt
	P 1919	15255	KORKULUK CAM ÇITA PROFİLİ railing glazing bead profile	0,730kg/mt
	P 1920	15686	KORKULUK CAM ÇITA PROFİLİ railing glazing bead profile	0,775kg/mt
	P 1660	8959	KÜPEŞTE PROFİLİ balustrade profile	0,890kg/mt
	P 1661	9949	KÜPEŞTE U PROFİLİ balustrade U profile	0,375kg/mt
	P 1921	10445	KÜPEŞTE U PROFİLİ balustrade U profile	0,230kg/mt
	P 1922	843	KÜPEŞTE U PROFİLİ balustrade U profile	0,275kg/mt

PROFİL ŞEKLİ PROFILE SECTION	PROFİL ADI PROFILE NO	KALIP KODU DIE NO	PROFİL TANIMI PROFILE DESCRIPTION	AĞIRLIK WEIGHT
	P 1923	809	KÜPEŞTE U PROFİLİ balustrade U profile	0,160kg/mt
	P 1574	9083	8mm KÖŞE TAKOZ PROFİLİ 8mm corner cleat profile	2,675kg/mt
	P 1163	4292-A	11,5mm KÖŞE TAKOZ PROFİLİ 11,5mm corner cleat profile	3,750kg/mt
	P 1069	11652	13,2mm KÖŞE TAKOZ PROFİLİ 13,2mm corner cleat profile	4,200kg/mt
	P 1016	12254	15,7mm KÖŞE TAKOZ PROFİLİ 15,7mm corner cleat profile	4,910kg/mt
	P 1015	338	19,7mm KÖŞE TAKOZ PROFİLİ 19,7mm corner cleat profile	5,990kg/mt
	P 1118	5542	22,5mm KÖŞE TAKOZ PROFİLİ 22,5mm corner cleat profile	7,285kg/mt
	P 1162	5543	29,3mm KÖŞE TAKOZ PROFİLİ 29,3mm corner cleat profile	6,705kg/mt
	P 1187	5539	47,3mm KÖŞE TAKOZ PROFİLİ 47,3mm corner cleat profile	8,305kg/mt

PROFİL ŞEKLİ PROFILE SECTION	PROFİL ADI PROFILE NO	KALIP KODU DIE NO	PROFİL TANIMI PROFILE DESCRIPTION	AĞIRLIK WEIGHT
	P 1879	20-5434	33,8mm KÖŞE TAKOZ PROFİLİ 33,8mm corner cleat profile	3,630kg/mt
	P 1161	3272	35,8mm KÖŞE TAKOZ PROFİLİ 35,8mm corner cleat profile	6,230kg/mt
	P 1116	13248	39,8mm KÖŞE TAKOZ PROFİLİ 39,8mm corner cleat profile	5,710kg/mt
	P 1888	20-5464	9mm KÖŞE TAKOZ PROFİLİ 9mm corner cleat profile	2,910kg/mt
	P 1070	339	27mm KÖŞE TAKOZ PROFİLİ 27mm corner cleat profile	6,220kg/mt
	P 2093	9854	31,6mm KÖŞE TAKOZ PROFİLİ 31,6mm corner cleat profile	4,005kg/mt

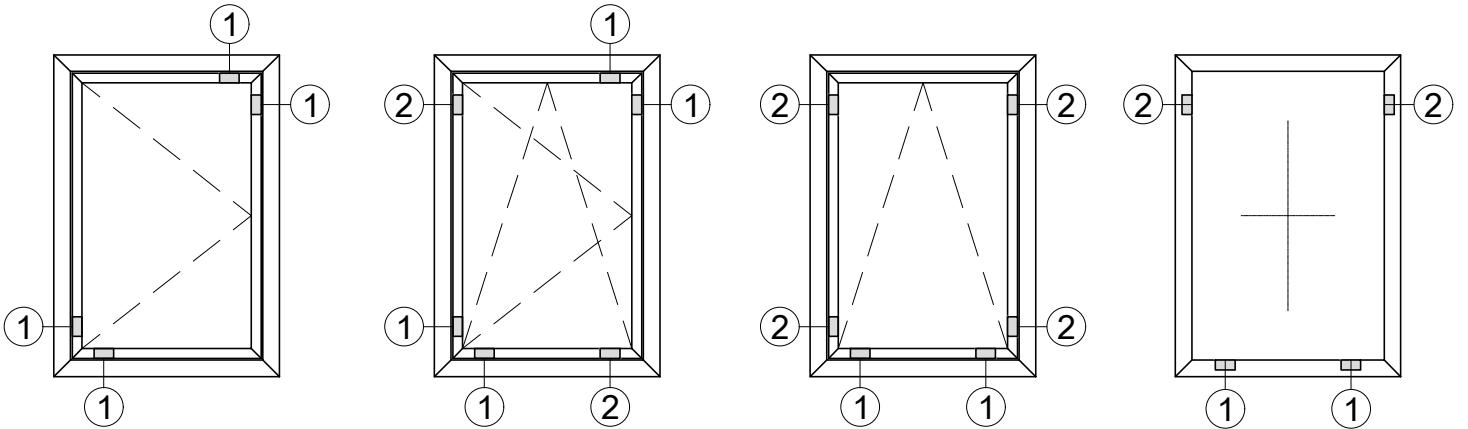
ICON 70
KAPI ve PENCERE SİSTEMİ
DOOR and WINDOW SYSTEM

CAM MONTAJ TALİMATI
GLAZING ASSEMBLY



- ① CAM TAKOZU
Cam takozları yerlesimi altta bulunan sematik çizimde gösterilmiştir. takozların kenara mesafeleri kanat ölçüsünün 5/1 i yada 10/1 i kadar olmalıdır.
GLASS CLEATS
The assembly of glass reinforcement pieces has been showed at the top schemetically. The gap distance to the corner should be, the 5/1 or 10/1 of the sash size.

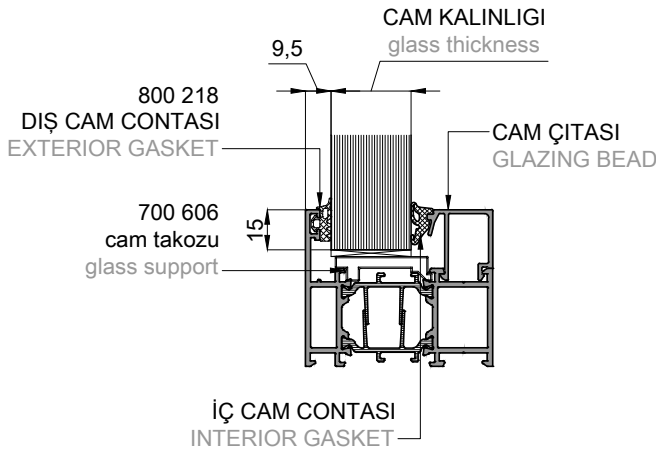
- ② MESAFE AYARLAMA TAKOZU
Mesafe ayar takozları camın alüminyum çerçeve içinde doğru pozisyonda stabil olarak durmasını sağlar.
cam ile profil arasına takozları zorlamadan yerleştiriniz.
DISTANCE ADJUSTMENT PIECE
Distance adjustment pieces stabilize the glass in the frame at the true position. Put the distance adjustment piece between glass and profile without using force.



AKSESUAR ve DONANIM MONTAJINDAN ÖNCE,
CAM ve TAKOZLAMA İŞLEMİ YAPILMALIDIR.
THE PANE MUST BE SHIMMED IN THE SASH SO THAT THE SASH OPERATES WITHOUT ADJUSTMENT OF THE HARDWARE.

CAM KALINLIĞI glass thickness	ÇITA glazing bead		CAM CONTASI glazing gasket	
	profil section	kod code	perdeli conta with fin gasket	standart conta without fin gasket
16mm	P 1498 (36mm) 36		800 233 (6mm)	800 271 (6mm)
18mm	P 1158 (31mm) 31		800 296 (10mm)	800 278 (10mm)
20mm			800 252 (8mm)	800 277 (8mm)
22mm			800 233 (6mm)	800 271 (6mm)

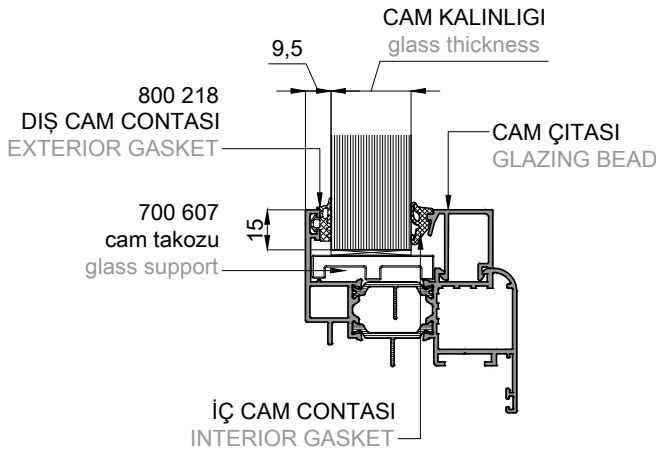
CAM KALINLIĞI glass thickness	ÇITA glazing bead		CAM CONTASI glazing gasket	
	profil section	kod code	perdeli conta with fin gasket	standart conta without fin gasket
24mm	P 1180 (27mm) 27		800 252 (8mm)	800 277 (8mm)
26mm			800 233 (6mm)	800 271 (6mm)
28mm	P 1105 (22mm) 22		800 252 (8mm)	800 277 (8mm)
30mm			800 233 (6mm)	800 271 (6mm)
32mm	P 1179 (18mm) 18		800 252 (8mm)	800 277 (8mm)
34mm			800 233 (6mm)	800 271 (6mm)
36mm	P 1176 (14mm) 14		800 252 (8mm)	800 277 (8mm)
38mm			800 233 (6mm)	800 271 (6mm)
40mm	P 1494 (10mm) 10		800 252 (8mm)	800 277 (8mm)
42mm			800 233 (6mm)	800 271 (6mm)
44mm	P 1495 (6mm) 6		800 252 (8mm)	800 277 (8mm)
46mm			800 233 (6mm)	800 271 (6mm)
48mm	P 1496 (2mm) 2		800 252 (8mm)	800 277 (8mm)
50mm			800 233 (6mm)	800 271 (6mm)



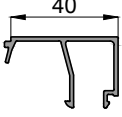



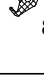


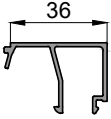






Yanda tablodaki veriler teoriktir.
Lütfen cam ve conta toleranslarını dikkate alınız.
selection tables promise a first planning.
Please keep the glass and gasket tolerances in mind.

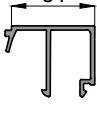




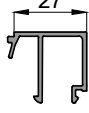

































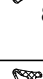


CAM KALINLIĞI glass thickness	ÇITA glazing bead		CAM CONTASI glazing gasket	
	profil section	kod code	perdeli conta with fin gasket	standart conta without fin gasket
16mm	P 1498 (36mm) 36		800 233 (6mm)	800 271 (6mm)
18mm	P 1158 (31mm) 31		800 296 (10mm)	800 278 (10mm)
20mm			800 252 (8mm)	800 277 (8mm)
22mm			800 233 (6mm)	800 271 (6mm)

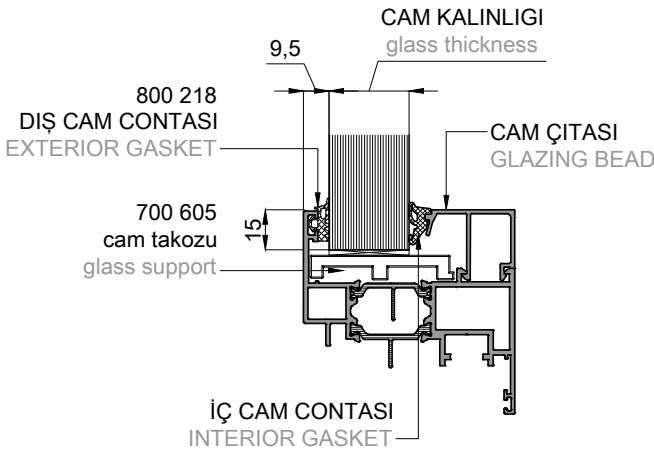
CAM KALINLIĞI glass thickness	ÇITA glazing bead		CAM CONTASI glazing gasket	
	profil section	kod code	perdeli conta with fin gasket	standart conta without fin gasket
24mm	P 1180 (27mm) 27		800 252 (8mm)	800 277 (8mm)
26mm			800 233 (6mm)	800 271 (6mm)
28mm	P 1105 (22mm) 22		800 252 (8mm)	800 277 (8mm)
30mm			800 233 (6mm)	800 271 (6mm)
32mm	P 1179 (18mm) 18		800 252 (8mm)	800 277 (8mm)
34mm			800 233 (6mm)	800 271 (6mm)
36mm	P 1176 (14mm) 14		800 252 (8mm)	800 277 (8mm)
38mm			800 233 (6mm)	800 271 (6mm)
40mm	P 1494 (10mm) 10		800 252 (8mm)	800 277 (8mm)
42mm			800 233 (6mm)	800 271 (6mm)
44mm	P 1495 (6mm) 6		800 252 (8mm)	800 277 (8mm)
46mm			800 233 (6mm)	800 271 (6mm)
48mm	P 1496 (2mm) 2		800 252 (8mm)	800 277 (8mm)
50mm			800 233 (6mm)	800 271 (6mm)



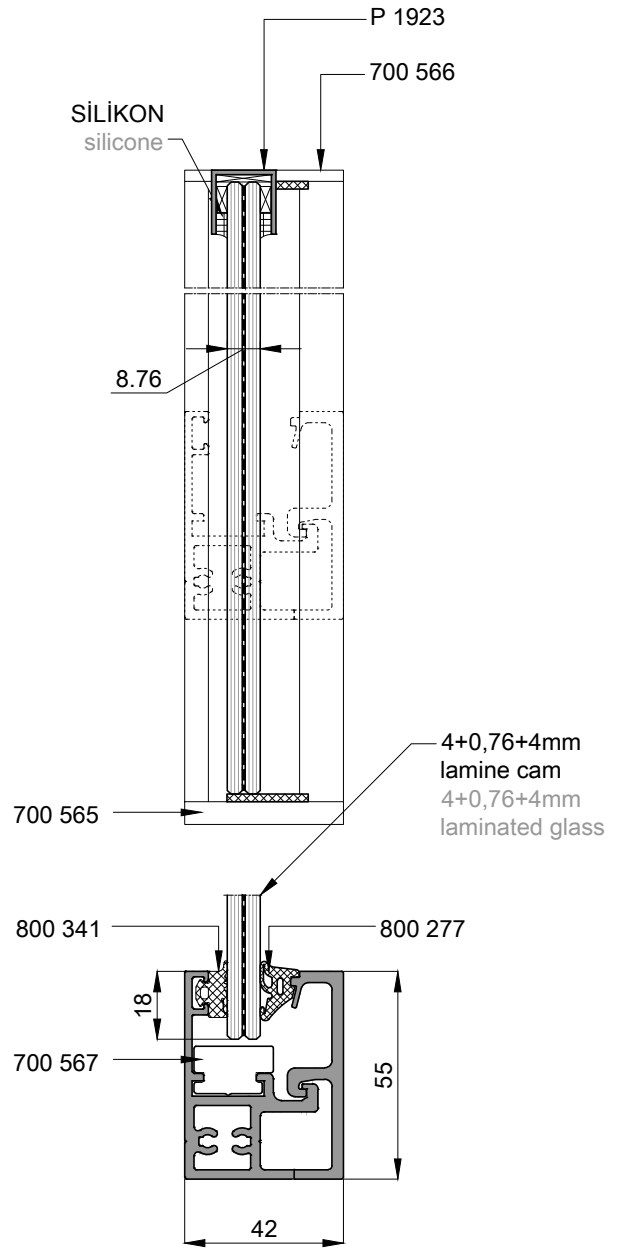
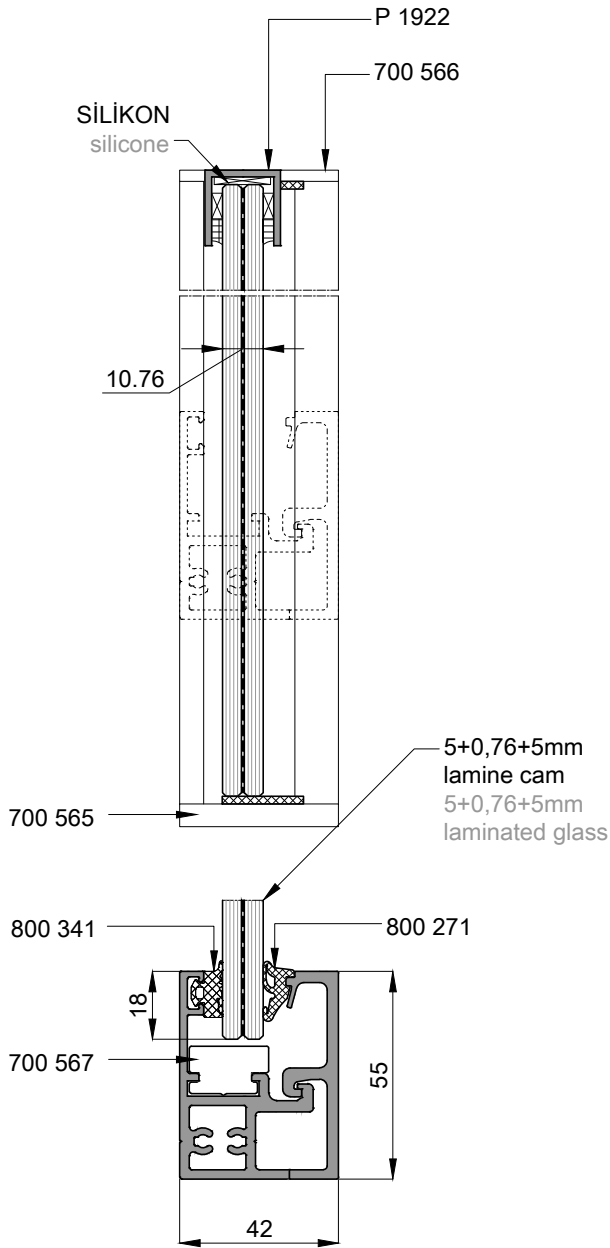
Yanda tablodaki veriler teoriktir.
Lütfen cam ve conta toleranslarını dikkate alınız.
selection tables promise a first planning.
Please keep the glass and gasket tolerances in mind.

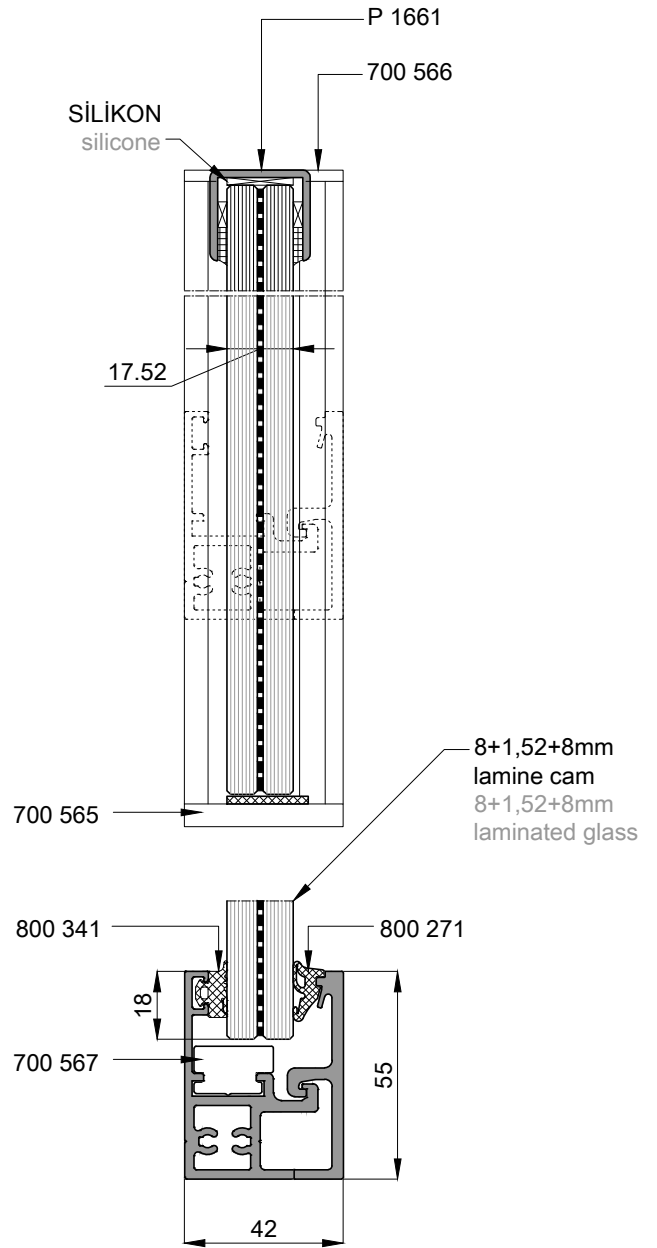
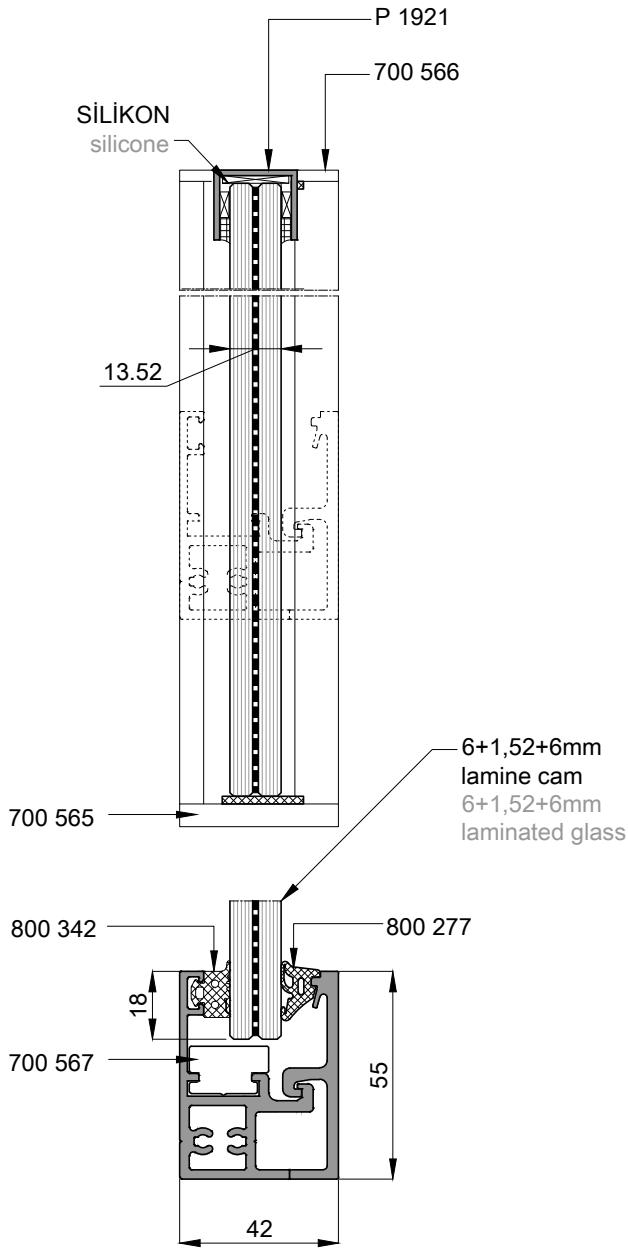
CAM KALINLIĞI glass thickness	ÇİTA glazing bead		CAM CONTASI glazing gasket	
	profil section	kod code	perdeli conta with fin gasket	standart conta without fin gasket
16mm	P 1497 (40mm) 		 800 296 (10mm)	 800 278 (10mm)
18mm			 800 252 (8mm)	 800 277 (8mm)
20mm			 800 233 (6mm)	 800 271 (6mm)
22mm	P 1498 (36mm) 		 800 296 (10mm)	 800 278 (10mm)
24mm			 800 252 (8mm)	 800 277 (8mm)
26mm			 800 233 (6mm)	 800 271 (6mm)

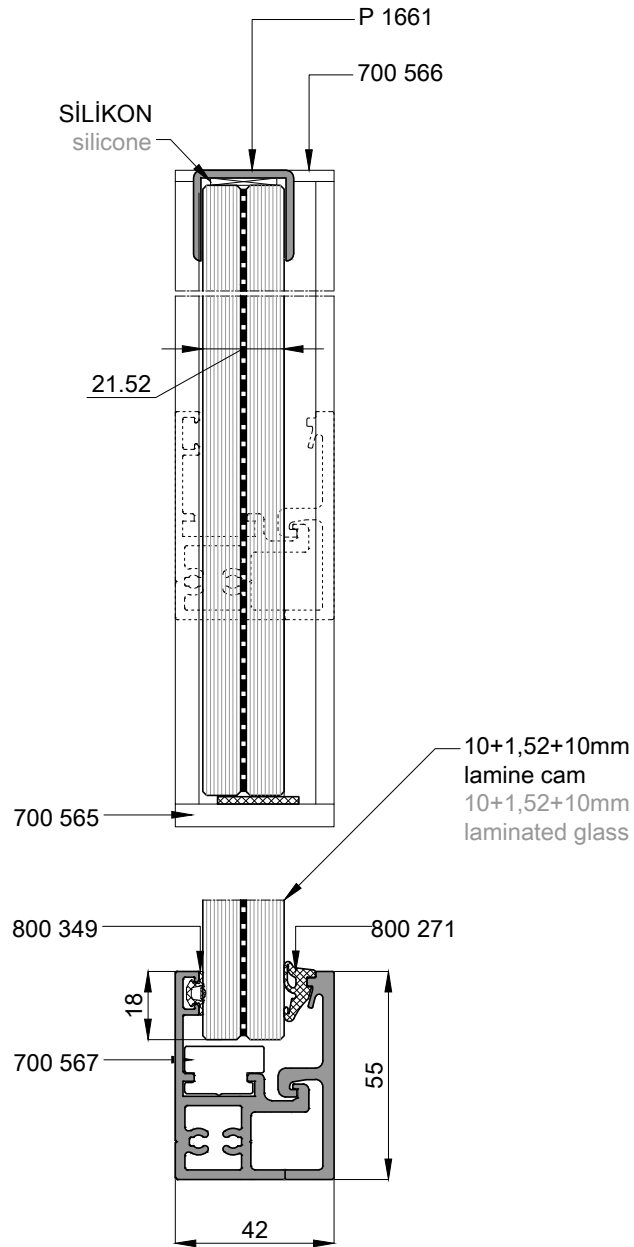
CAM KALINLIĞI glass thickness	ÇİTA glazing bead		CAM CONTASI glazing gasket	
	profil section	kod code	perdeli conta with fin gasket	standart conta without fin gasket
28mm	P 1158 (31mm) 		 800 252 (8mm)	 800 277 (8mm)
30mm			 800 233 (6mm)	 800 271 (6mm)
32mm	P 1180 (27mm) 		 800 252 (8mm)	 800 277 (8mm)
34mm			 800 233 (6mm)	 800 271 (6mm)
36mm	P 1105 (22mm) 		 800 296 (10mm)	 800 278 (10mm)
38mm			 800 252 (8mm)	 800 277 (8mm)
40mm			 800 233 (6mm)	 800 271 (6mm)
42mm	P 1179 (18mm) 		 800 252 (8mm)	 800 277 (8mm)
44mm			 800 233 (6mm)	 800 271 (6mm)
46mm	P 1176 (14mm) 		 800 252 (8mm)	 800 277 (8mm)
48mm			 800 233 (6mm)	 800 271 (6mm)
50mm	P 1494 (10mm) 		 800 252 (8mm)	 800 277 (8mm)
52mm			 800 233 (6mm)	 800 271 (6mm)
54mm	P 1495 (6mm) 		 800 252 (8mm)	 800 277 (8mm)
56mm			 800 233 (6mm)	 800 271 (6mm)
58mm	P 1496 (2mm) 		 800 252 (8mm)	 800 277 (8mm)
60mm			 800 233 (6mm)	 800 271 (6mm)

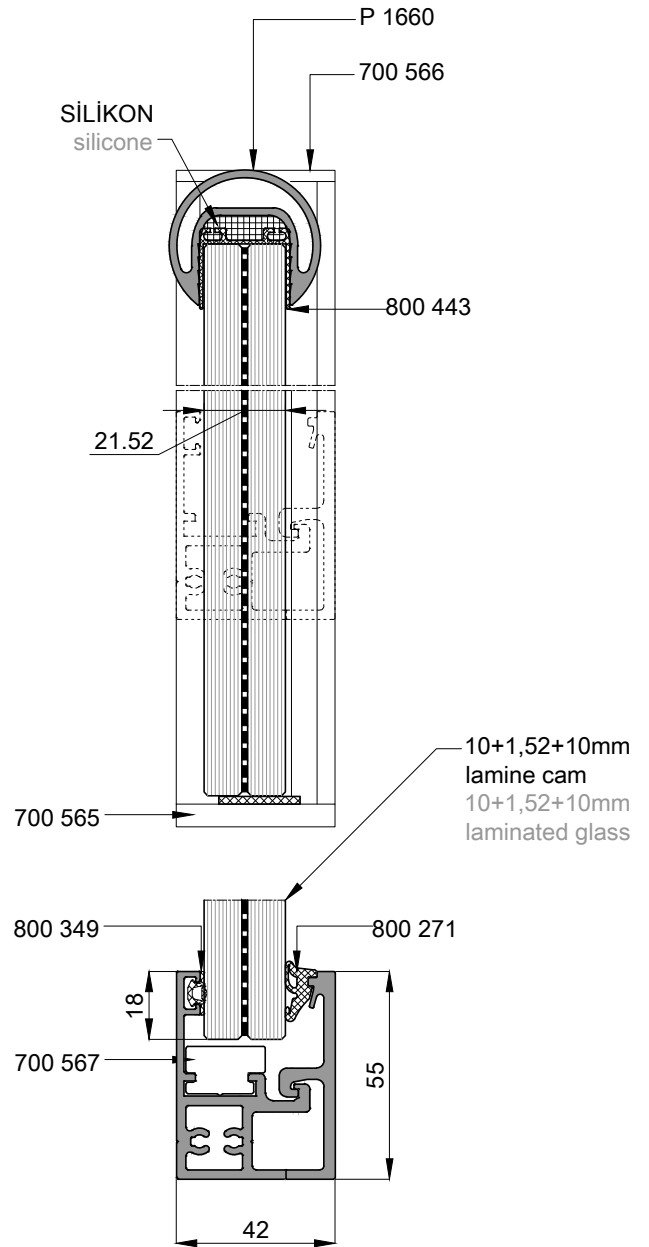
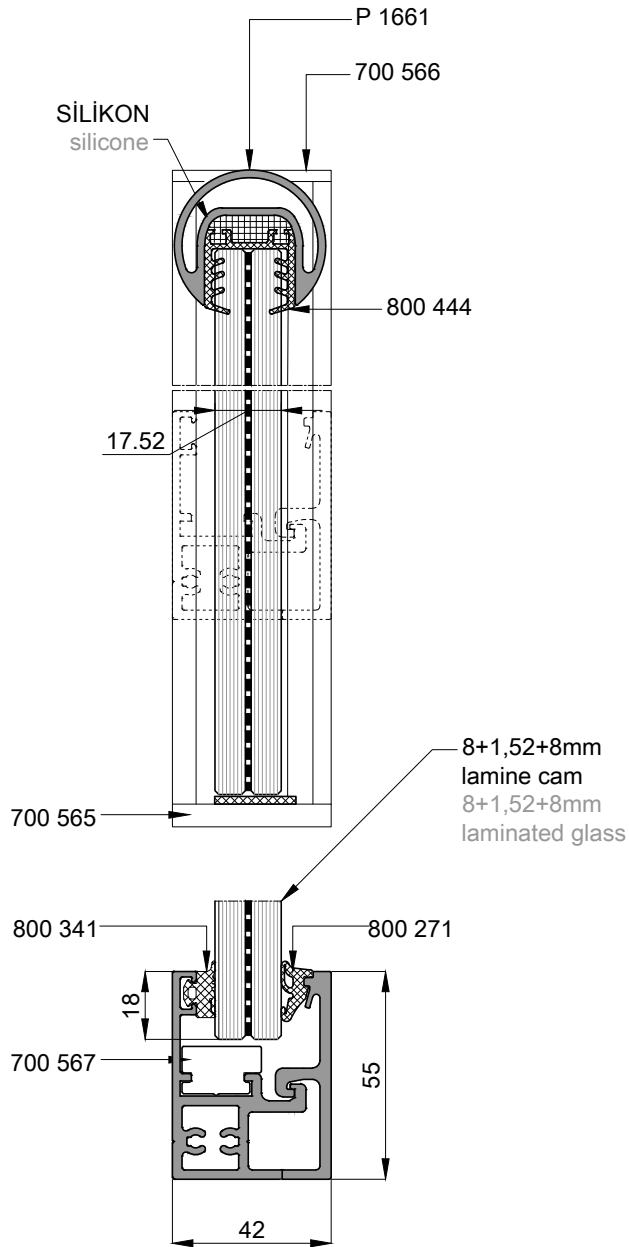


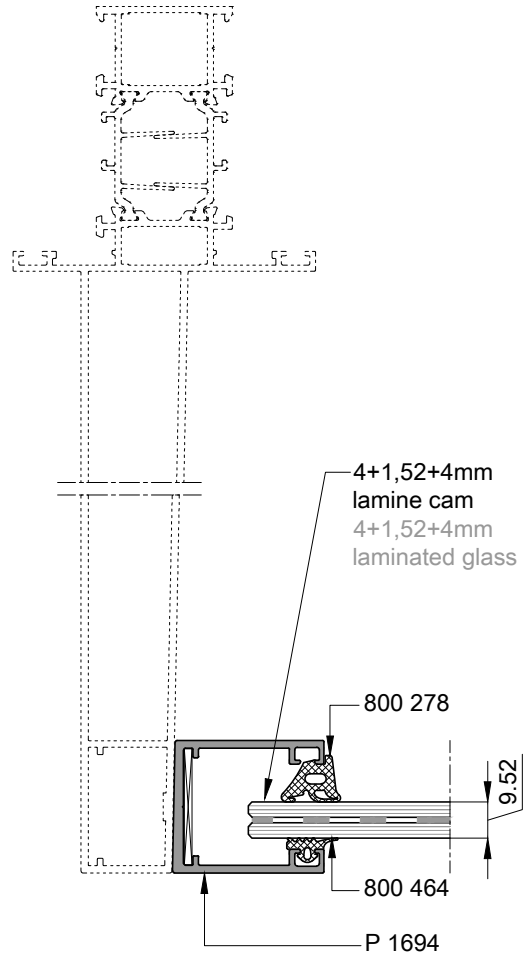
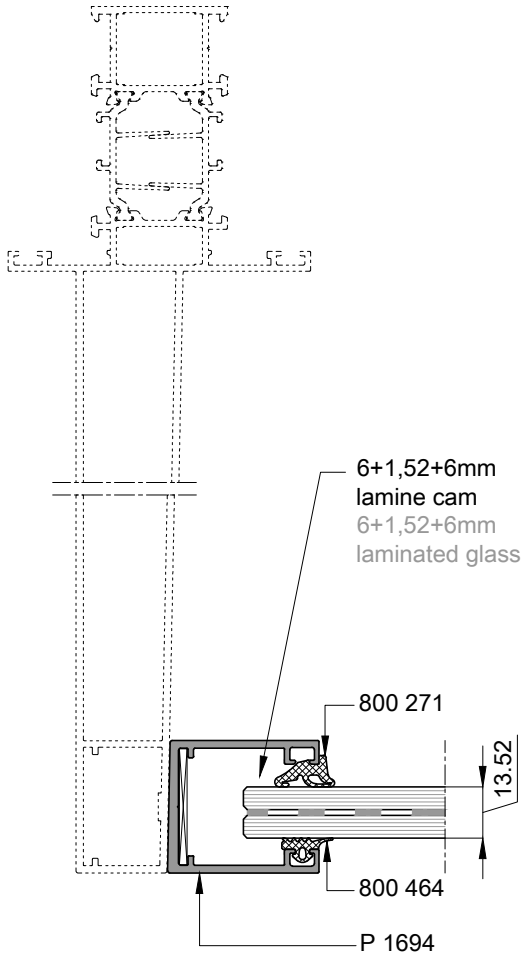
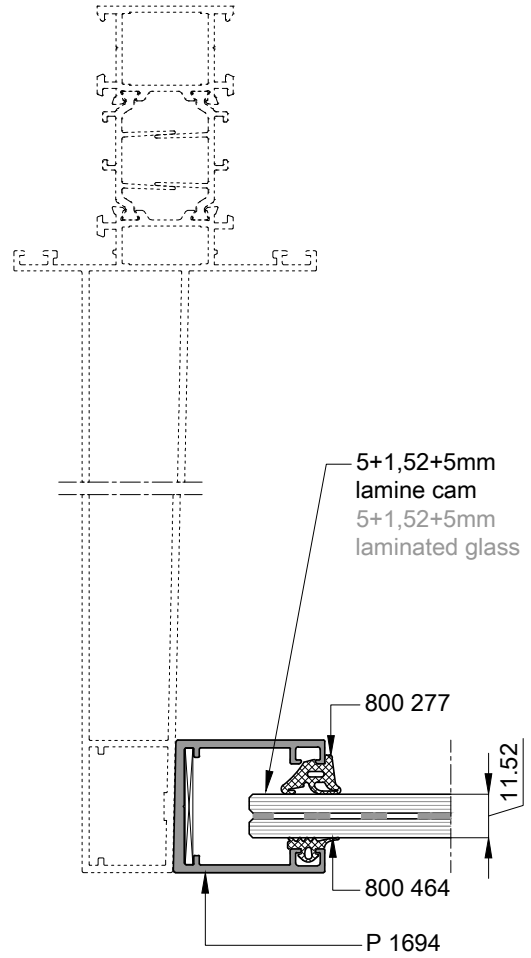
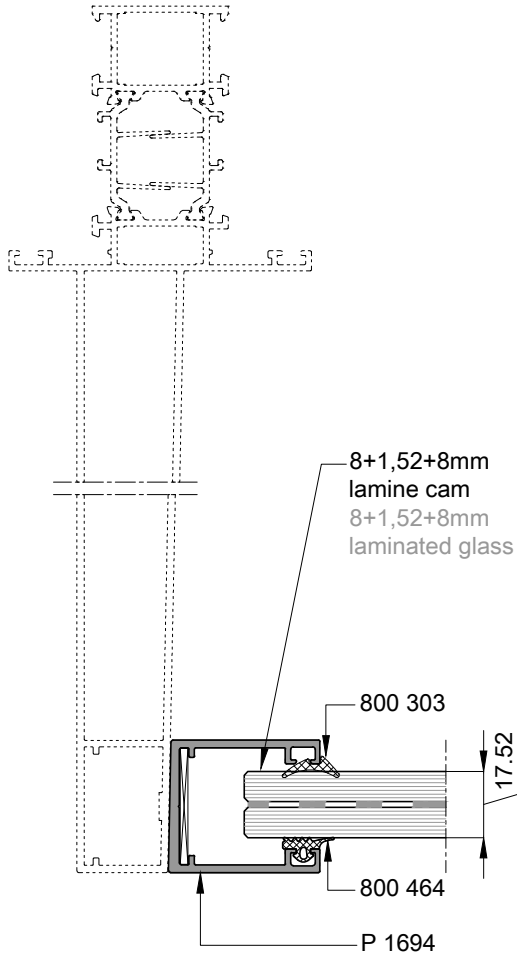
Yanda tablodaki veriler teoriktir.
Lütfen cam ve conta toleranslarını dikkate alınız.
selection tables promise a first planning.
Please keep the glass and gasket tolerances in mind.










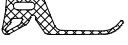








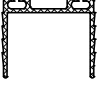


ICON 70
KAPI ve PENCERE SİSTEMİ
DOOR and WINDOW SYSTEM

CONTALAR
GASKETS

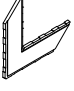

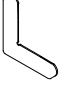


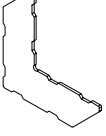
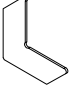
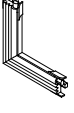
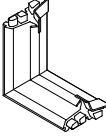

CONTA ŞEKLİ GASKET SECTION	CONTA KODU GASKET NO	MALZEME MATERIAL	CONTA TANIMI GASKET DESCRIPTION	PAKET PACKAGE
	800 218	EPDM	DIŞ CAM CONTASI exterior glazing gasket	200mt/pk 0,072kg/mt
	800 271	EPDM	6mm İÇ CAM CONTASI 6mm interior glazing gasket	185mt/pk 0,081kg/mt
	800 277	EPDM	8mm İÇ CAM CONTASI 8mm interior glazing gasket	165mt/pk 0,092kg/mt
	800 278	EPDM	10mm İÇ CAM CONTASI 10mm interior glazing gasket	115mt/pk 0,130kg/mt
	800 233	EPDM	6mm PERDELİ İÇ CAM CONTASI 6mm interior glazing gasket	125mt/pk 0,117kg/mt
	800 252	EPDM	8mm PERDELİ İÇ CAM CONTASI 8mm interior glazing gasket	100mt/pk 0,150kg/mt
	800 296	EPDM	10mm PERDELİ İÇ CAM CONTASI 10mm interior glazing gasket	90mt/pk 0,165kg/mt
	800 230	EPDM	ORTA SIZDIRMAZLIK CONTASI central tightness gasket	46mt/pk 0,324kg/mt
	800 331	EPDM	DIŞ BİNİ CONTASI exterior overlap gasket	285mt/pk 0,035kg/mt
	800 332	EPDM	İÇ BİNİ CONTASI interior overlap gasket	370mt/pk 0,027kg/mt


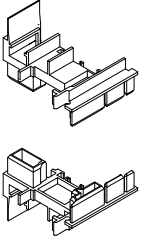
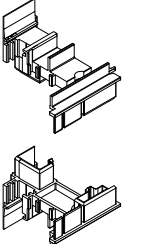
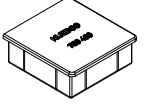
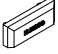

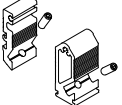
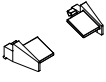
CONTA ŞEKLİ GASKET SECTION	CONTA KODU GASKET NO	MALZEME MATERIAL	CONTA TANIMI GASKET DESCRIPTION	PAKET PACKAGE
	800 234	EPDM	Ø4mm YUVARLAK CONTA Ø4 oring gasket	500mt/pk 0,017kg/mt
	800 272	EPDM	PERVAZ BİNİ CONTASI overlap gasket for architrave	415mt/pk 0,036kg/mt
	800 288	EPDM	CEPHE ADAPTÖR BESLEME CONTASI adding gasket facade adapter	230mt/pk 0,065kg/mt
	800 289	EPDM	CEPHE ADAPTÖR BESLEME CONTASI adding gasket facade adapter	134mt/pk 0,112kg/mt
	800 290	EPDM	CEPHE ADAPTÖR BESLEME CONTASI adding gasket facade adapter	95mt/pk 0,158kg/mt
	800 291	EPDM	CEPHE ADAPTÖR BESLEME CONTASI adding gasket facade adapter	80mt/pk 0,186kg/mt
	800 292	EPDM	CEPHE ADAPTÖR BESLEME CONTASI adding gasket facade adapter	68mt/pk 0,218kg/mt
	800 293	EPDM	KÖRKASA PROFİLİ KANAL KAPATMA CONTASI closing gasket for subframe	250mt/pk 0,060kg/mt
	800 294	EPDM	KÖRKASA PROFİLİ KAMA CONTASI interior gasket for subframe	185mt/pk 0,081kg/mt
	800 298	EPDM	EŞİK PROFİLİ KANAL KAPATMA CONTASI closing gasket for threshold	185mt/pk 0,082kg/mt

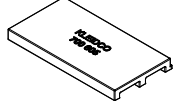

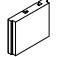
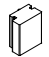
CONTA ŞEKLİ GASKET SECTION	CONTA KODU GASKET NO	MALZEME MATERIAL	CONTA TANIMI GASKET DESCRIPTION	PAKET PACKAGE
	800 383	EPDM	DAİRESEL KÖŞE PROFİLİ BİNİ CONTASI exterior overlap gasket for circular adepter profile	172mt/pk 0,087kg/mt
	800 490	EPDM	PERVAZ BİNİ CONTASI overlap gasket for architrave	481mt/pk 0,027kg/mt
	800 444	EPDM	U CAM CONTASI u shape glazing gasket	70mt/pk 0,207kg/mt
	800 443	EPDM	U CAM CONTASI u shape glazing gasket	110mt/pk 0,105kg/mt
	800 341	EPDM	5mm İÇ CAM CONTASI 5mm interior glazing gasket	156mt/paket 0,096kg/mt
	800 349	EPDM	0.8mm İÇ CAM CONTASI 0.8mm interior glazing gasket	448mt/paket 0,029kg/mt
	800 342	EPDM	7mm İÇ CAM CONTASI 7mm interior glazing gasket	125mt/paket 0,120kg/mt
	800 303	EPDM	2mm İÇ CAM CONTASI 2mm interior glazing gasket	234mt/paket 0,043kg/mt
	800 464	EPDM	3mm KORKULUK DIŞ CAM CONTASI 3mm railing exterior glazing gasket	232mt/paket 0,044kg/mt

ICON 70
KAPI ve PENCERE SİSTEMİ
DOOR and WINDOW SYSTEM

AKSESUARLAR
ACCESSORIES

AKSESUAR ŞEKLİ ACCESSORIES SHAPE	AKSESUAR ACCESS. NO	AKSESUAR TANIMI ACCESSORIES DESCRIPTION	MİKTAR QUANTITY
	700 303	PVC KÖŞE ONBAŞI pvc corner angle for architrave	500 adet/pieces
	700 322	ALYENLİ ALUMİNYUM ONBAŞI aluminium angle with allien key	250 adet/pieces
	700 356	KANAT İÇ BİNİ İÇİN ONBAŞI aluminum corner angle for sash	500 adet/pieces
	700 334	KASA İÇİN PVC ONBAŞI pvc corner angle for sash and frame	500 adet/pieces
	700 335	T KASA İÇİN PVC ONBAŞI pvc corner angle for frame	500 adet/pieces
	700 401	KÖRKASA PROFİLİ İÇİN ONBAŞI outer corner angle for subframe profile	500 adet/pieces
	700 402	KÖRKASA ÇITA PROFİL İÇİN ONBAŞI inner corner angle for subframe profile	500 adet/pieces
	700 305	DIŞ CAM CONTASI İÇİN KÖŞE VULKANİZE vulcanized corner for ext.glazing gasket	50 adet/pieces
	700 330	ORTA SIZDIRMAZLIK CONTASI İÇİN KÖŞE VULKANİZE vulcanized corner for central gasket	50 adet/pieces
	700 354	PERVAZ MONTAJ KLİPSİ pvc clip for architrave assembly	100 adet/pieces

AKSESUAR ŞEKLİ ACCESSORIES SHAPE	AKSESUAR ACCESS. NO	AKSESUAR TANIMI ACCESSORIES DESCRIPTION	MİKTAR QUANTITY
	700 389	KAPI ALTI FIRÇASI brush for sill profile	1mt X 50adet 1mt X 50pieces
	700 332	PVC KANALLI ÇİFT KANAT ADAPTÖR PROFİLİ ALT ve ÜST KAPAGI pvc cap plug for double pvc channel sash adapter profile	50 çift/pair
	700 369	TİJ KANALLI ÇİFT KANAT ADAPTÖR PROFİLİ ALT ve ÜST KAPAGI pvc cap plug for double euro channel sash adapter profile	50 çift/pair
	700 400	TAKVİYELİ ORTAKAYIT PROFİLİ ALT ve ÜST KAPAGI pvc cap plug for reinforcement mullion profile	50 adet/pieces
	700 336	SU TAHLİYE KAPAGI water drain hole cap	500 adet/pieces
	700 451	SU TAHLİYE KAPAGI water drain hole cap	500 adet/pieces
	700 333	ORTA KAYIT T BİRLEŞİM ÖN ve ARKA PARÇASI T connecting bracket for mullion	50 çift/pair
	700 404	DAMLALIK PROFİLİ KAPAGI pvc cap plug for dropper profile	50 çift/pair

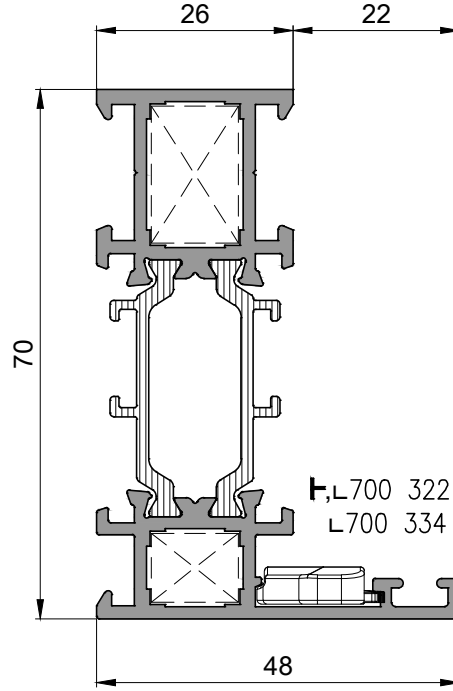
AKSESUAR ŞEKLİ ACCESSORIES SHAPE	AKSESUAR ACCESS. NO	AKSESUAR TANIMI ACCESSORIES DESCRIPTION	MİKTAR QUANTITY
	700 403	ORTA KAYIT T BİRLEŞİM ÖN ve ARKA PARÇASI T connecting bracket for mullion	50 çift/pair
	700 502	ORTA KAYIT T BİRLEŞİM ÖN ve ARKA PARÇASI T connecting bracket for mullion	50 çift/pair
	700 857	ORTA KAYIT T BİRLEŞİM ÖN ve ARKA PARÇASI T connecting bracket for mullion	50 çift/pair
	700 605	DÜZ KANAT İÇİN CAM TAKOZU glass support for sash	100 adet/pieces
	700 606	KASA İÇİN CAM TAKOZU glass support for frame	100 adet/pieces
	700 607	OVAL KANAT İÇİN CAM TAKOZU glass support for circular sash	100 adet/pieces
	700 608	28mm ORTA KAYIT T BİRLEŞİM EPDM KÖPÜK epdm foam for T joint for 28mm mullion	100 adet/pieces
	700 609	36mm ORTA KAYIT T BİRLEŞİM EPDM KÖPÜK epdm foam for T joint for 36mm mullion	100 adet/pieces
	700 610	44mm ORTA KAYIT T BİRLEŞİM EPDM KÖPÜK epdm foam for T joint for 44mm mullion	100 adet/pieces
	700 567	CAM SABİTLEME CONTASI glass stabilizer gasket	20 adet/pieces

AKSESUAR ŞEKLİ ACCESSORIES SHAPE	AKSESUAR ACCESS. NO	AKSESUAR TANIMI ACCESSORIES DESCRIPTION	MİKTAR QUANTITY
	700 859	KORKULUK CAM TAŞIYICI glass support for railing	20 adet/pieces
	700 861	ALUMİNYUM KÖŞE ONBAŞI aluminium corner angle	20 adet/pieces
	700 565	KORKULUK CAM TAŞIYICI glass support for railing	20 çift/pair
	700 566	KORKULUK PROFİL ÜST KAPAĞI alu. and cap plug for railing top	20 çift/pair
	910 526	KOL ADAPTÖR gearbox adapter	100 adet/pieces
	700 568	KORKULUK MONTAJ SETİ railing mounting set	20 çift/pair
	700 830	140mm DÜZ KOL(90°Stoplmalı) 140mm handle(90° stopping)	100 adet/pieces
	700 831	140mm DÜZ KOL(yaylı) 140mm handle(suprung)	100 adet/pieces

AKSESUAR ŐEKLİ ACCESSORIES SHAPE	AKSESUAR ACCESS. NO	AKSESUAR TANIMI ACCESSORIES DESCRIPTION	MİKTAR QUANTITY
	700 832	SOLA KIVRIK KOL to the left curled handle	100 adet/pieces
	700 833	SAĐA KIVRIK KOL to the right curled handle	100 adet/pieces
	700 773	2mm GALVANİZLİ ANKRAJ 2mm galvanized strap anchor	20 adet/pieces

ICON 70
KAPI ve PENCERE SİSTEMİ
DOOR and WINDOW SYSTEM

TAM ÖLÇEKLİ ALUMİNYUM PROFİLLER
FULL SCALE PROFILES



P 1889

L Kasa Profili / 1,335kg/mt

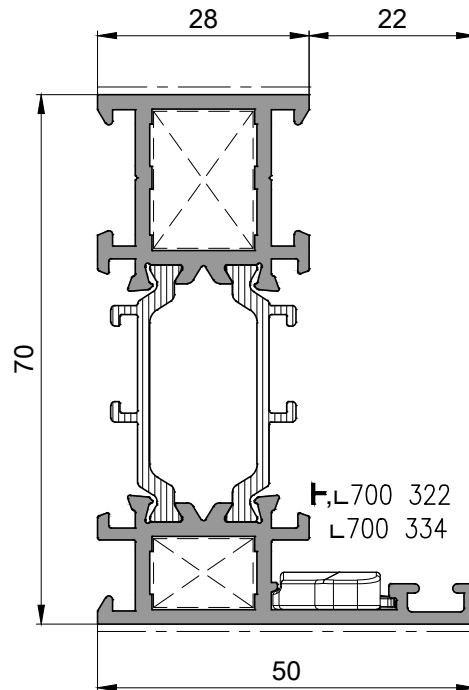
L Frame Profile

	20-5478	20-5416
	P1163 9.1mm	P1163 18.1mm
	700 322 700 334	-
	-	-

ix)
24.50 cm4

ly)
4.63 cm4

NOT : 700 322 Onbaşı T ve L Köşe Birleşimde Kullanılır. 700 322 T and L corner angle are used in corner joint
45° Köşe Birleşimde 700 322 Alternatifi 700 334 Kullanılır. 700 334 is used as the alternative for 700 322 in 45° corner joint.
45° Köşe Birleşimde Sadece Dışta 700 335 kullanılır. 700 335 is used only on the exterior for 45° corner joint



P 1229

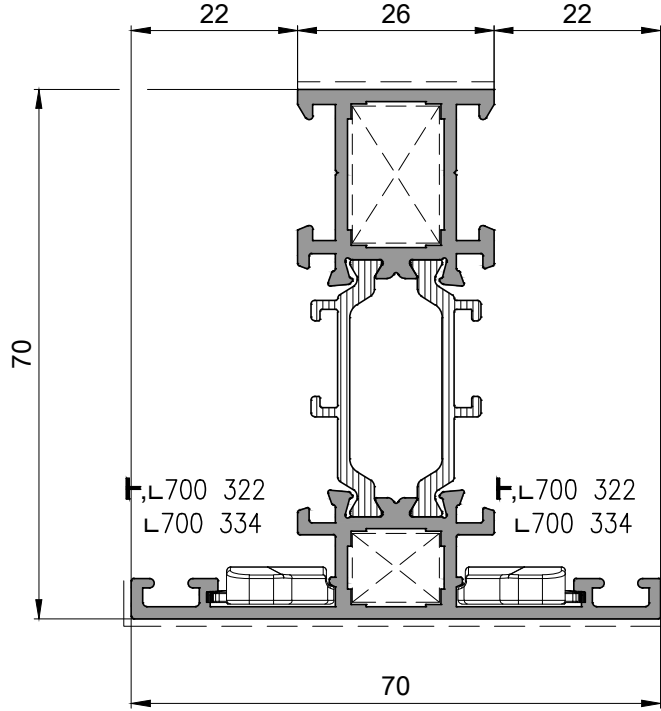
L Kasa Profili / 1,465kg/mt

L Frame Profile

	13997	13995
	P1069 9.1mm	P1069 18.1mm
	700 322 700 334	-
	-	-

ix)
27.57 cm4

ly)
5.58 cm4



P 1872

T Kasa Profili / 1,470kg/mt

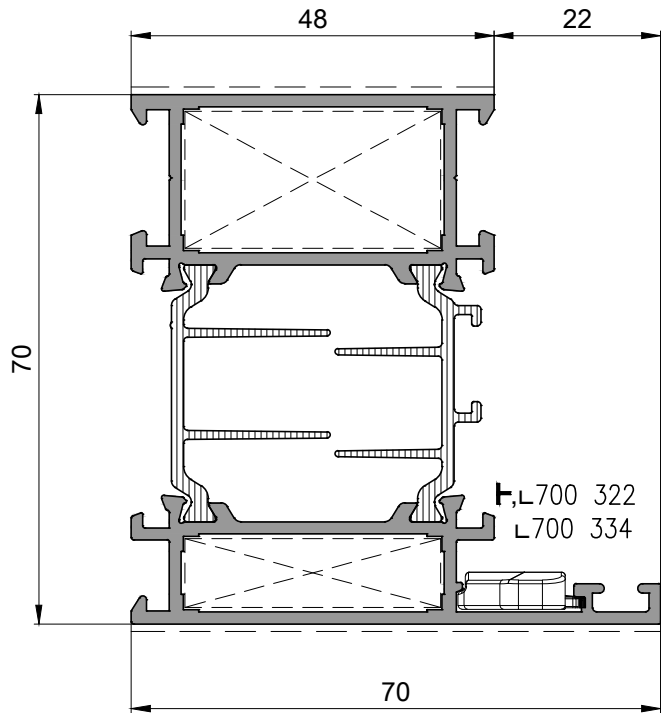
T Frame Profile

	20-5417	20-5416
	P1163 9.1mm	P1163 18.1mm
	700 322 700 334	-
	700 857	

ix)
27.22 cm4

ly)
09.18 cm4

NOT : 700 322 Onbaşı T ve L Köşe Birleşimde Kullanılır. 700 322 T and L corner angle are used in corner joint
45° Köşe Birleşimde 700 322 Alternatifi 700 334 Kullanılır. 700 334 is used as the alternative for 700 322 in 45° corner joint.
45° Köşe Birleşimde Sadece Dışta 700 335 kullanılır. 700 335 is used only on the exterior for 45° corner joint



P 1873

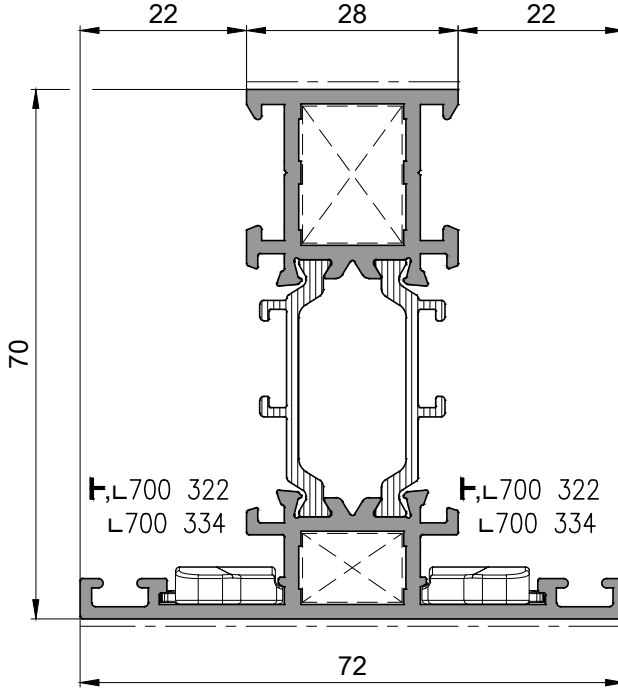
L Kasa Profili / 1,780kg/mt

L Frame Profile

	20-5415	20-5414
	P1879 9.1mm	P1879 18.1mm
	700 322 700 334	-
	-	

ix)
30.04 cm4

ly)
17.38 cm4



P 1228

T Kasa Profili / 1,615kg/mt

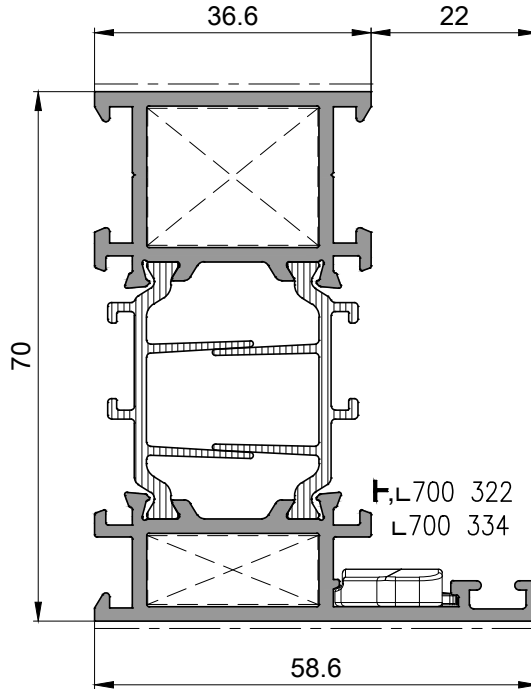
T Frame Profile

	13996	13995
	P1069 9.1mm	P1069 18.1mm
	700 322 700 334	-
	700 403	

I_x)
30.62 cm⁴

I_y)
10.65 cm⁴

NOT : 700 322 Onbaşı T ve L Köşe Birleşimde Kullanılır. 700 322 T and L corner angle are used in corner joint
45° Köşe Birleşimde 700 322 Alternatifi 700 334 Kullanılır. 700 334 is used as the alternative for 700 322 in 45° corner joint.
45° Köşe Birleşimde Sadece Dışta 700 335 kullanılır. 700 335 is used only on the exterior for 45° corner joint



P 1153

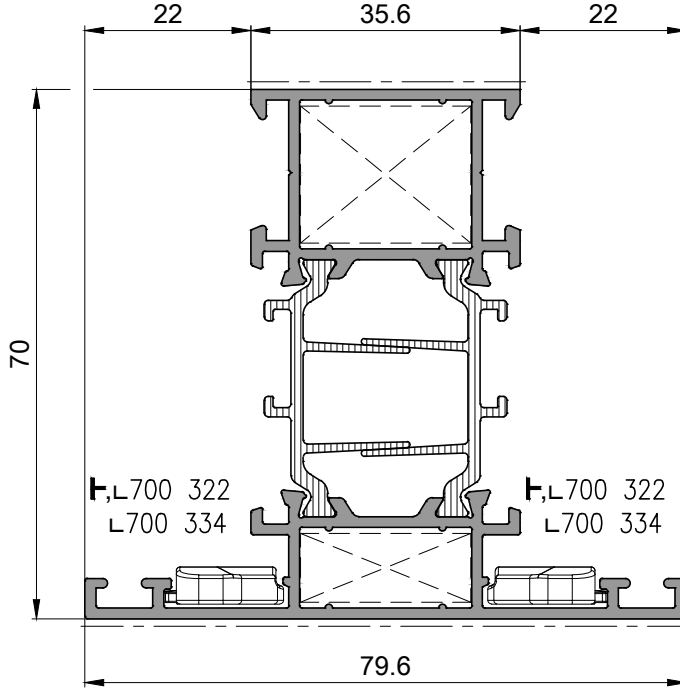
L Kasa Profili / 1,690kg/mt

L Frame Profile

	13103	13102
	P1118 9.1mm	P1118 18.1mm
	700 322 700 334	-
	-	

I_x)
31.53 cm⁴

I_y)
9.85 cm⁴



P 1917

T Kasa Profili / 1,548kg/mt

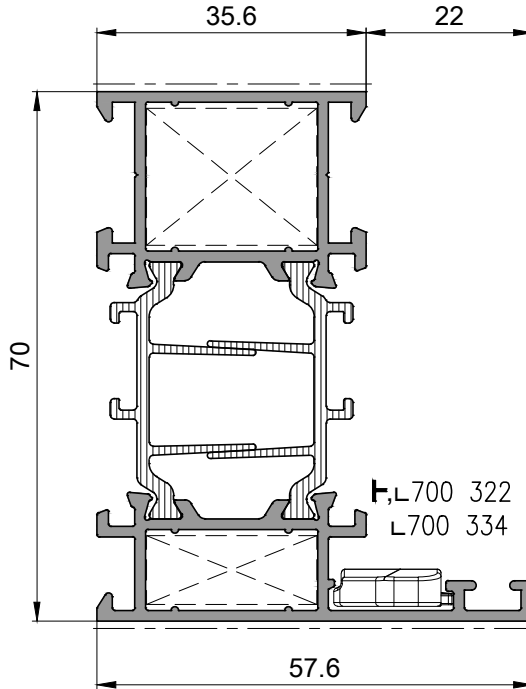
T Frame Profile

	17346	17344
	P1118 9.1mm	P1118 18.1mm
	700 322 700 334	-
	700 333	-

ix)
27.45 cm4

ly)
13.86 cm4

NOT : 700 322 Onbaşı T ve L Köşe Birleşimde Kullanılır. 700 322 T and L corner angle are used in corner joint
45° Köşe Birleşimde 700 322 Alternatifi 700 334 Kullanılır. 700 334 is used as the alternative for 700 322 in 45° corner joint.
45° Köşe Birleşimde Sadece Dışta 700 335 kullanılır. 700 335 is used only on the exterior for 45° corner joint



P 1932

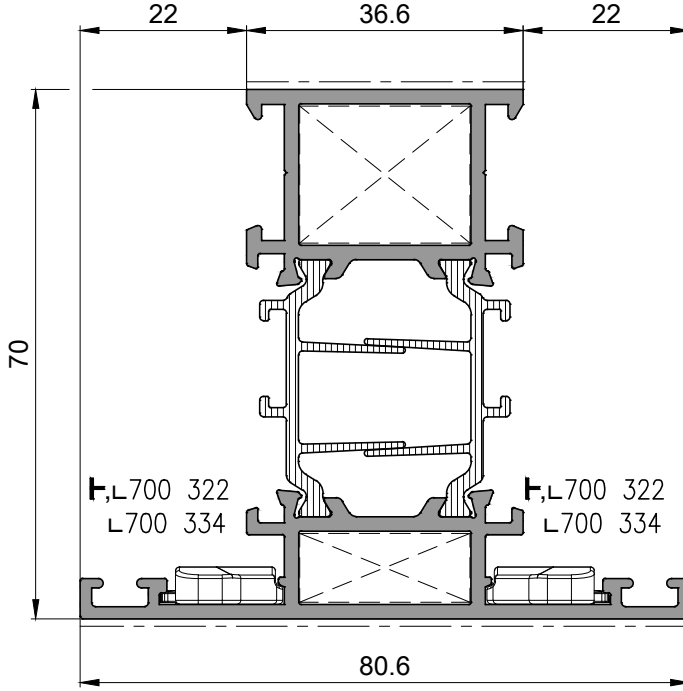
L Kasa Profili / 1,427kg/mt

L Frame Profile

	17345	17344
	P1118 9.1mm	P1118 18.1mm
	700 322 700 334	-
	-	-

ix)
25.17 cm4

ly)
8.07cm4



P 1152

T Kasa Profili / 1,835kg/mt

T Frame Profile

	13104	13102
	P1118 9.1mm	P1118 18.1mm
	700 322 700 334	-
	700 333	

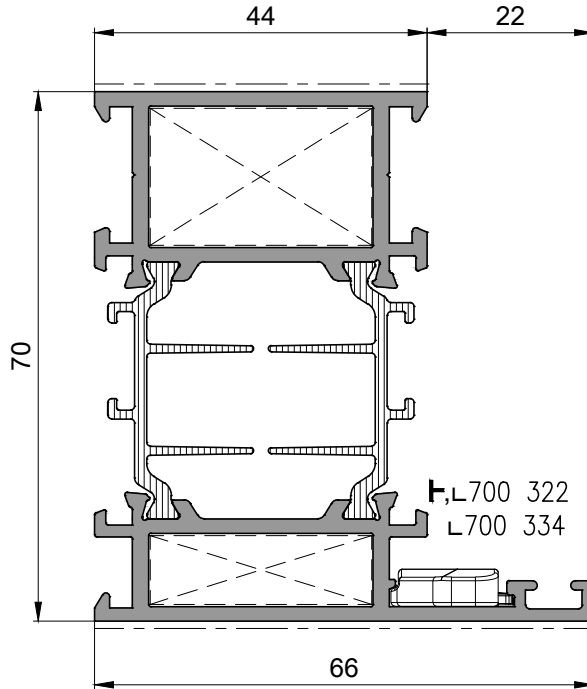
I_x

34.44 cm⁴

I_y

16.57 cm⁴

NOT : 700 322 Onbaşı T ve L Köşe Birleşimde Kullanılır. 700 322 T and L corner angle are used in corner joint
45° Köşe Birleşimde 700 322 Alternatifi 700 334 Kullanılır. 700 334 is used as the alternative for 700 322 in 45° corner joint.
45° Köşe Birleşimde Sadece Dışta 700 335 kullanılır.700 335 is used only on the exterior for 45° corner joint



P 1537

L Kasa Profili / 1,885kg/mt

L Frame Profile

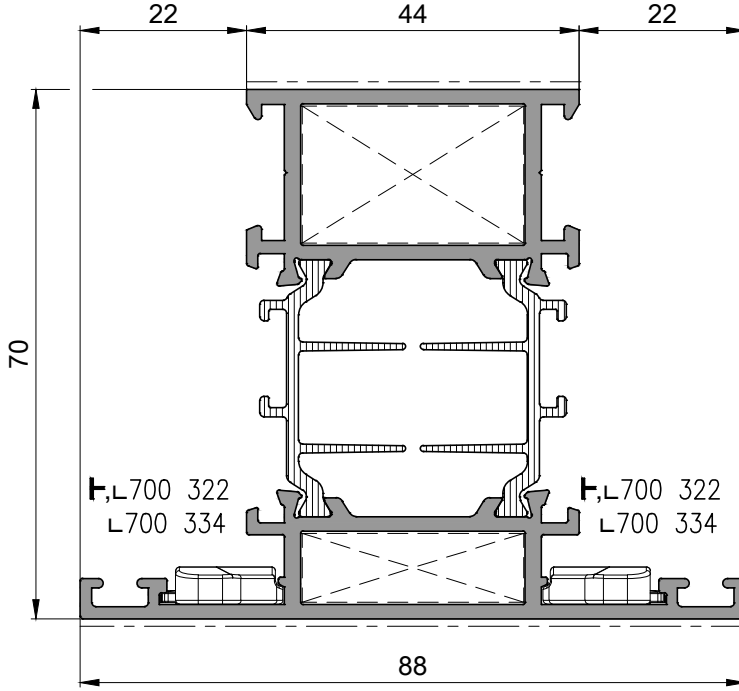
	15290	14209
	P1162 9.1mm	P1162 18.1mm
	700 322 700 334	-
	-	

I_x

36.20 cm⁴

I_y

15.34 cm⁴



P 1335

T Kasa Profili / 2,030kg/mt

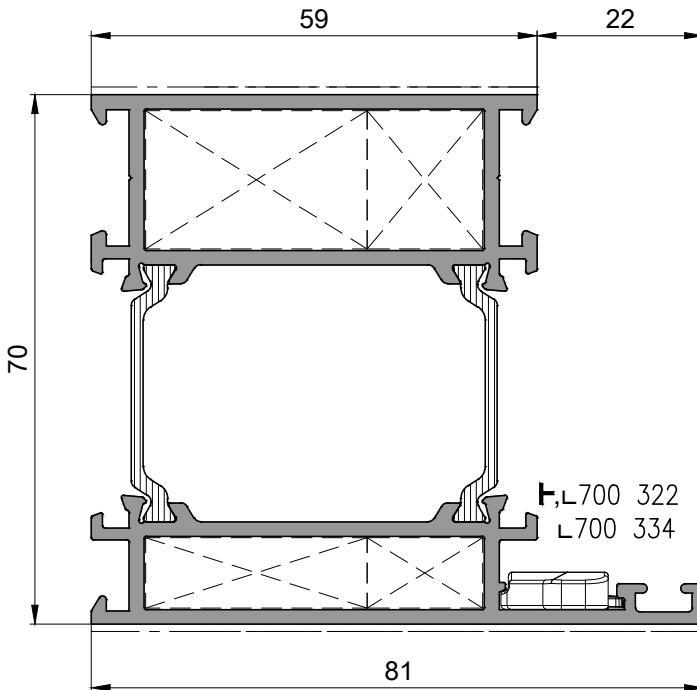
T Frame Profile

	14210	14209
	P1162 9.1mm	P1162 18.1mm
	700 322 700 334	-
	700 502	

I_x)
39.00 cm⁴

I_y)
23.68 cm⁴

NOT : 700 322 Onbaşı T ve L Köşe Birleşimde Kullanılır. 700 322 T and L corner angle are used in corner joint
45° Köşe Birleşimde 700 322 Alternatifi 700 334 Kullanılır. 700 334 is used as the alternative for 700 322 in 45° corner joint.
45° Köşe Birleşimde Sadece Dışta 700 335 kullanılır. 700 335 is used only on the exterior for 45° corner joint



P 1624

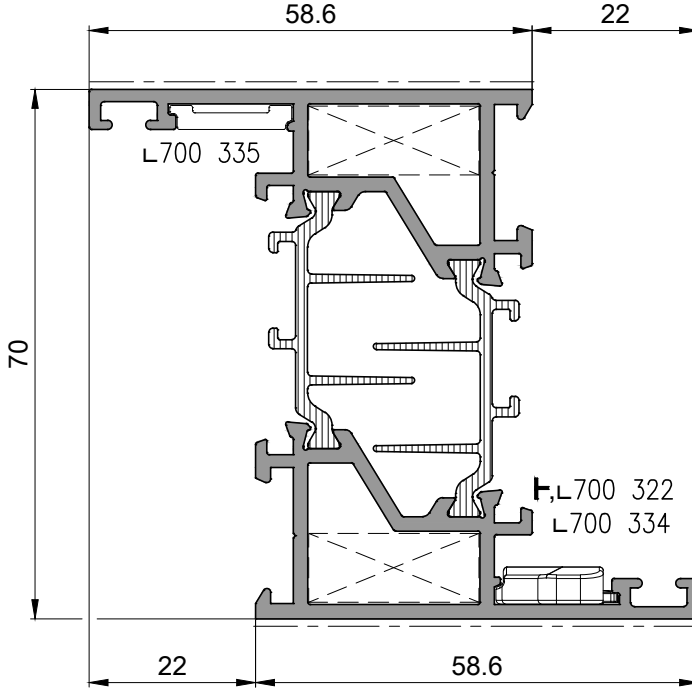
L Kasa Profili / 2,065kg/mt

L Frame Profile

	15439	15438
	P1161 P1574 9.1mm	P1161 P1574 18.1mm
	700 322 700 334	-
	-	

I_x)
43.95 cm⁴

I_y)
30.06 cm⁴



P 1536

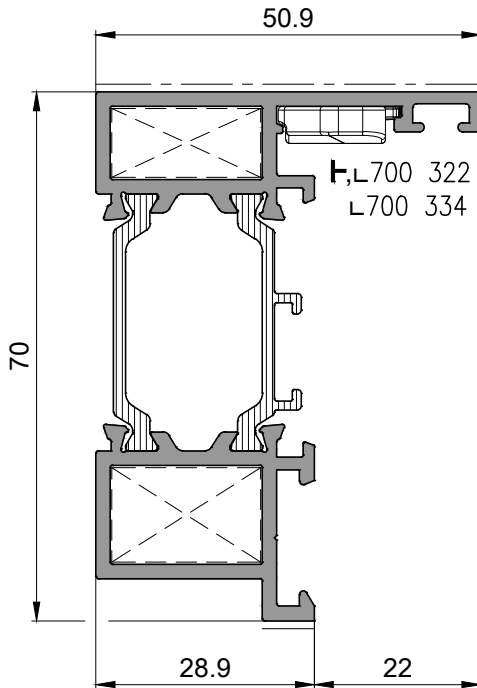
Z Kasa Profili / 1,890kg/mt
Z Frame Profile

	15289	15289
	P1118 9.1mm	P1118 9.1mm
	700 322 700 334	700 335
		-

ix)
40.20 cm4

ly)
12.95 cm4

NOT : 700 322 Onbaşı T ve L Köşe Birleşimde Kullanılır. 700 322 T and L corner angle are used in corner joint
45° Köşe Birleşimde 700 322 Alternatifi 700 334 Kullanılır. 700 334 is used as the alternative for 700 322 in 45° corner joint.
45° Köşe Birleşimde Sadece Dışta 700 335 kullanılır. 700 335 is used only on the exterior for 45° corner joint



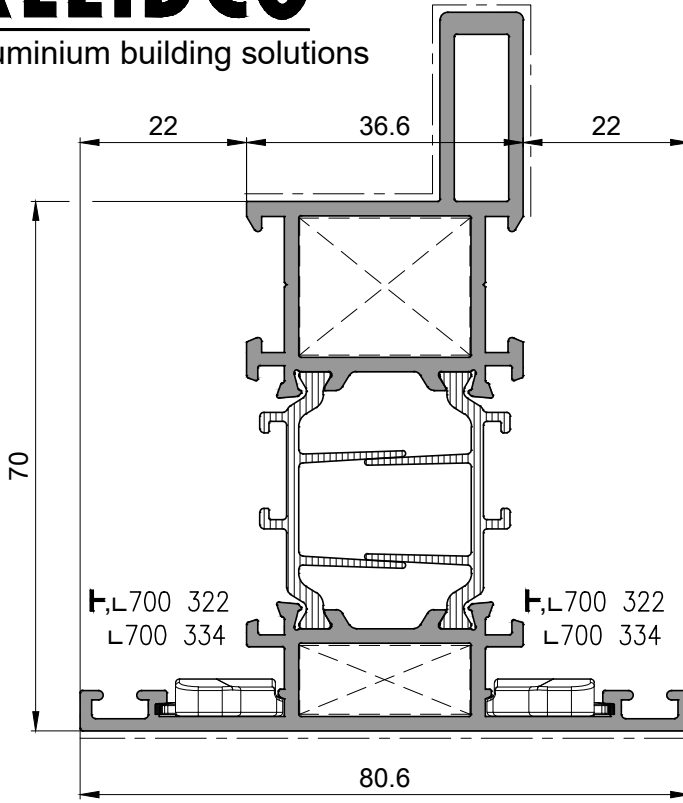
P 1538

Adaptör Profili / 1,395kg/mt
Adepter Profile

	15291	15292
	P1015 12.5mm	P1015 9.1mm
	-	700 322 700 334
		-

ix)
24.30 cm4

ly)
6.34 cm4



P 1623

T Kasa Profili / 2,150kg/mt

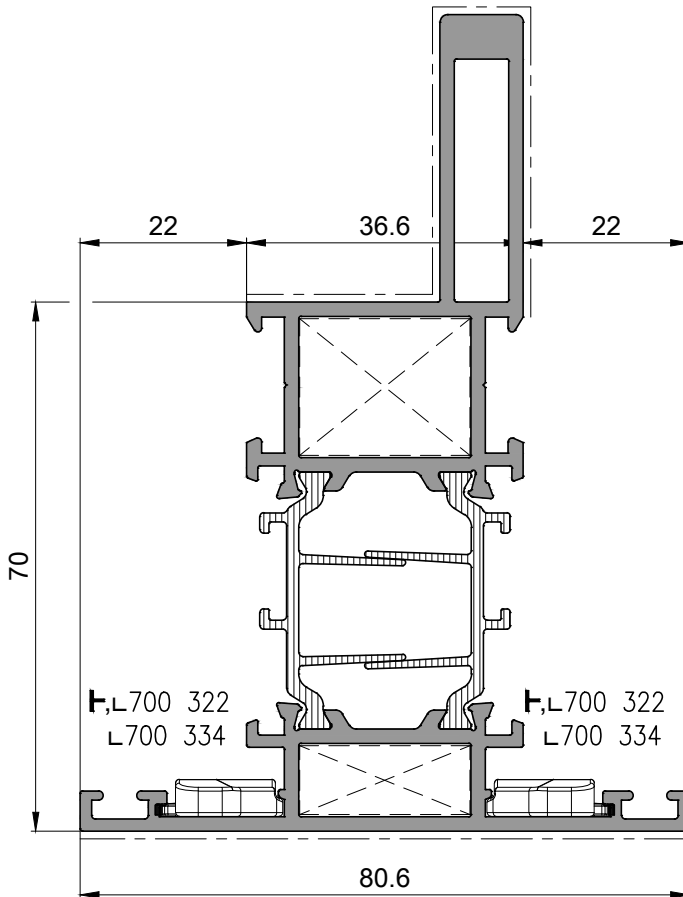
T Frame Profile

	13104	16422
	P1118 9.1mm	P1118 18.1mm
	700 322 700 334	-
	700 333	

ix)
61.19 cm4

ly)
17.47 cm4

NOT : 700 322 Onbaşı T ve L Köşe Birleşimde Kullanılır. 700 322 T and L corner angle are used in corner joint
45° Köşe Birleşimde 700 322 Alternatifi 700 334 Kullanılır. 700 334 is used as the alternative for 700 322 in 45° corner joint.
45° Köşe Birleşimde Sadece Dışta 700 335 kullanılır.700 335 is used only on the exterior for 45° corner joint



P 1707

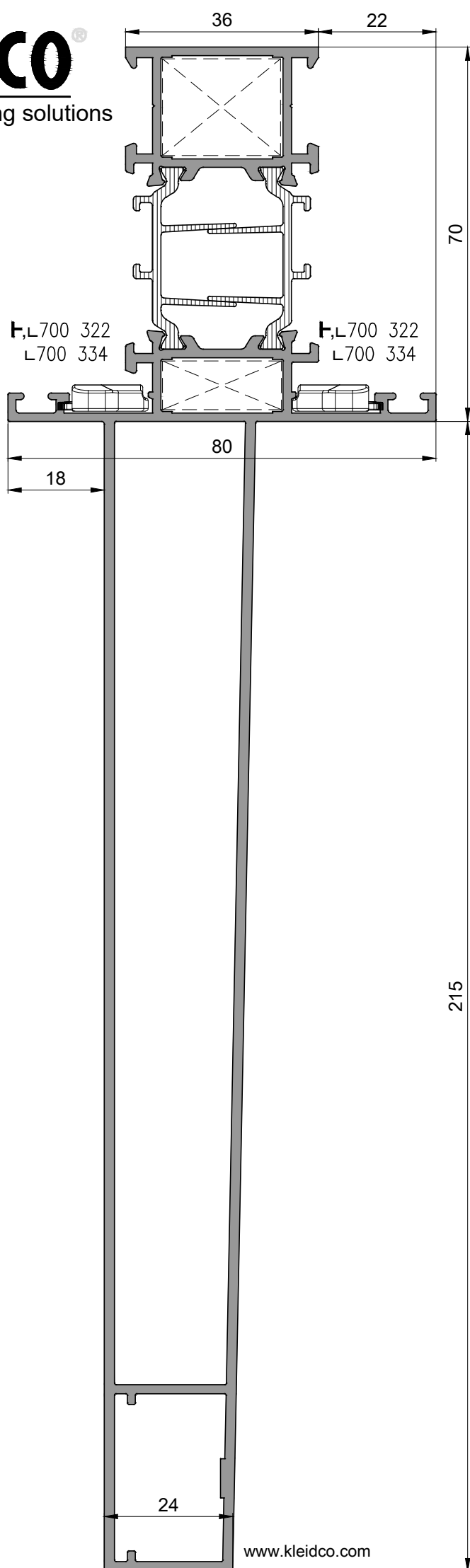
T Kasa Profili / 2,340kg/mt

T Frame Profile

	13104	17018
	P1118 9.1mm	P1118 18.1mm
	700 322 700 334	-
	700 333	

ix)
86.83 cm4

ly)
17.60 cm4

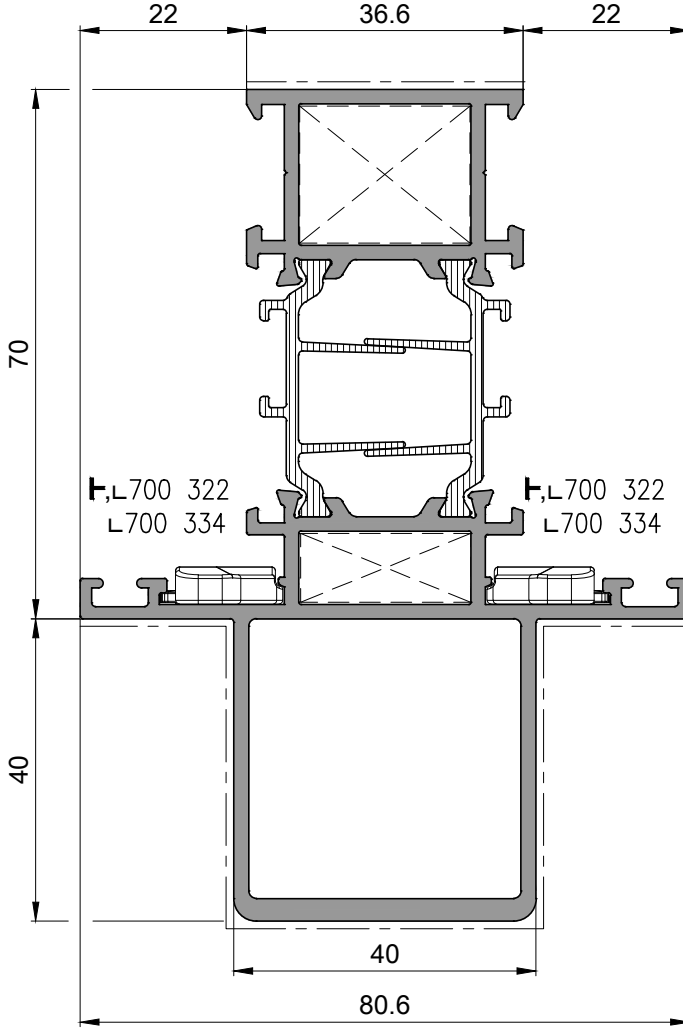


P 1693

Takviyeli Profil / 4,153kg/mt
Reinforcement Profile

	17021	17019
	P1118 9.1mm	P1118 18.1mm
	700 322 700 334	-
	700 333	

I_x 940.19 cm⁴
 I_y 28.52 cm⁴



P 1150

Takviyeli Profil / 2,555kg/mt

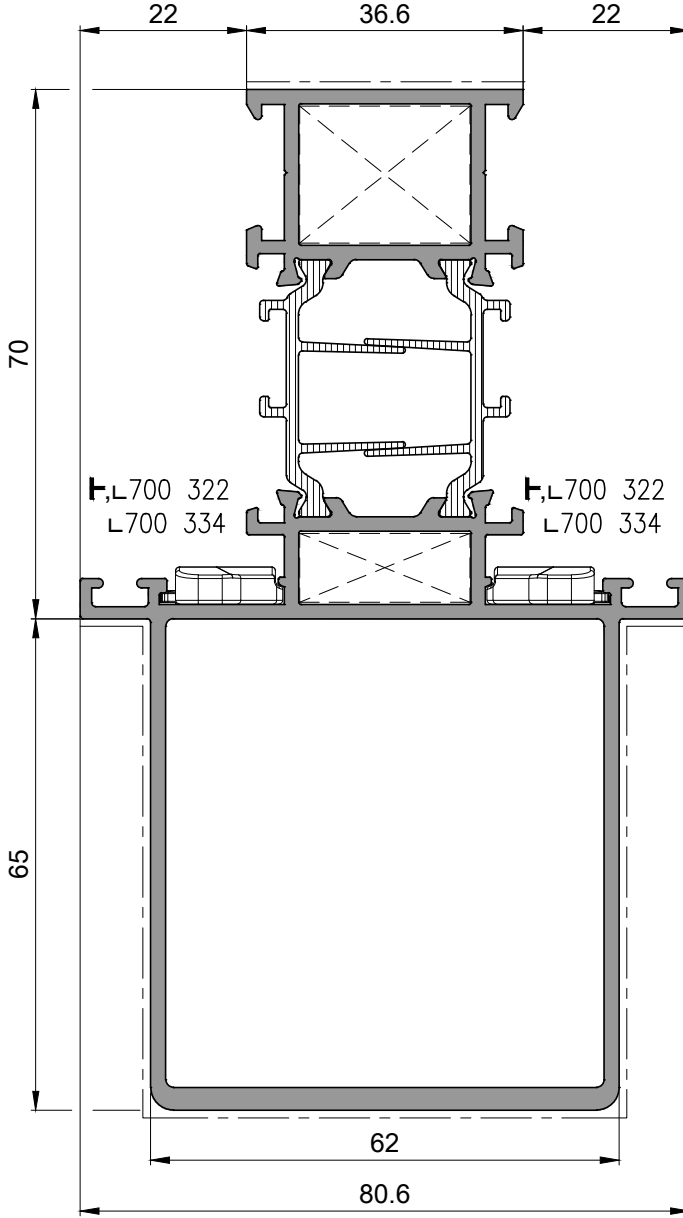
Mullion Profile

	13105	13102
	P1118 9.1mm	P1118 18.1mm
	700 322 700 334	-
	700 333	

I_x)
86.17 cm⁴

I_y)
23.40 cm⁴

NOT : 700 322 Onbaşı T ve L Köşe Birleşimde Kullanılır. 700 322 T and L corner angle are used in corner joint
45° Köşe Birleşimde 700 322 Alternatifi 700 334 Kullanılır. 700 334 is used as the alternative for 700 322 in 45° corner joint.
45° Köşe Birleşimde Sadece Dışta 700 335 kullanılır. 700 335 is used only on the exterior for 45° corner joint



P 1151

Takviyeli Profil / 3,005kg/mt

Mullion Profile

	13106	13102
	P1118 9.1mm	P1118 18.1mm
	700 322 700 334	-
	700 333	

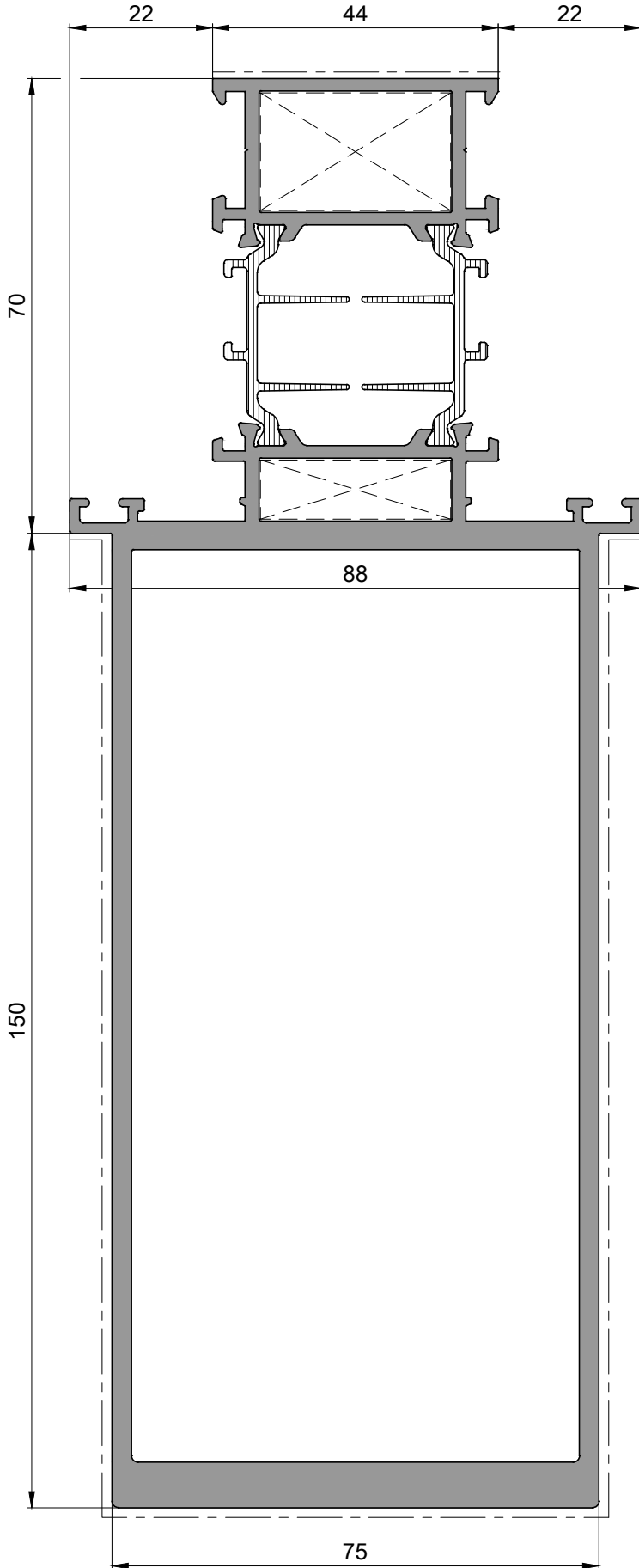
I_x

162.98 cm⁴

I_y

44.58 cm⁴

NOT : 700 322 Onbaşı T ve L Köşe Birleşimde Kullanılır. 700 322 T and L corner angle are used in corner joint
45° Köşe Birleşimde 700 322 Alternatifi 700 334 Kullanılır. 700 334 is used as the alternative for 700 322 in 45° corner joint.
45° Köşe Birleşimde Sadece Dışta 700 335 kullanılır.700 335 is used only on the exterior for 45° corner joint

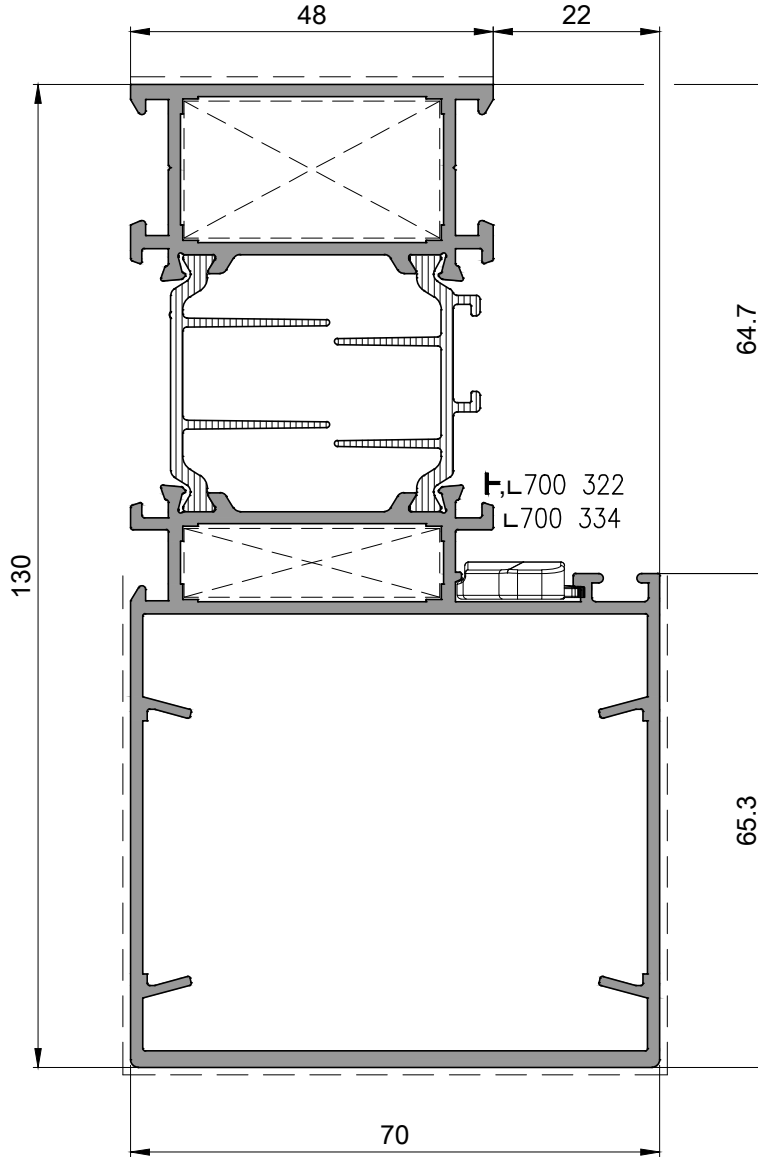


P 1955

Takviyeli Orta Kayıt Profili / 6,227kg/mt
Mullion Profile With Reinforcement




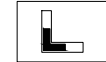

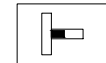
	15408	14209
	P1162 9.1mm	P1162 18.1mm
	700 322 700 334	-
	700 502	



I_x 984.57 cm⁴ I_y 166.40 cm⁴



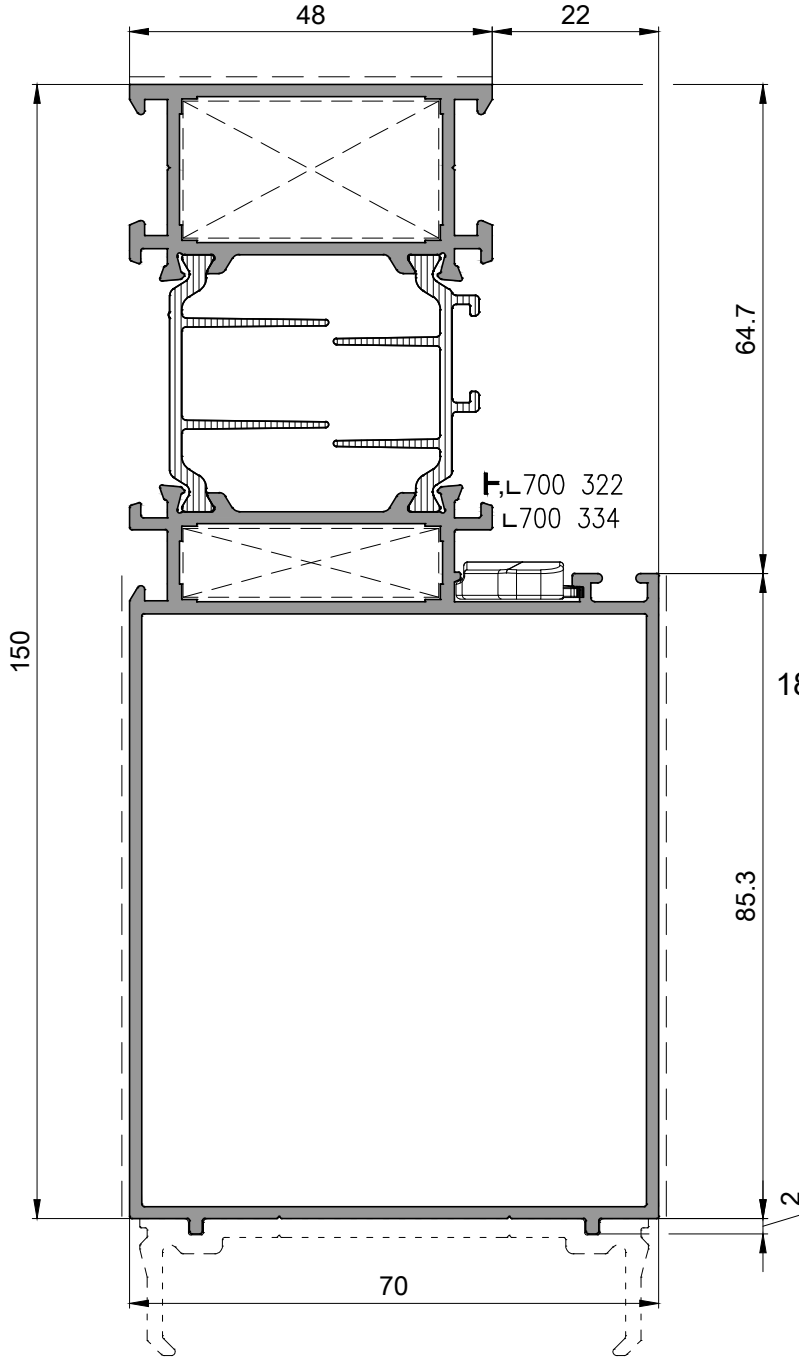
P 1874

Takviyeli Profil / 2,800kg/mt
Reinforcement Frame Profile

		
	20-5419	20-5414
	P1879 9.1mm	P1879 18.1mm
	700 322 700 334	-
	-	-

I_x  148.07 cm⁴ I_y  48.79 cm⁴

NOT : 700 322 Onbaşı T ve L Köşe Birleşimde Kullanılır. 700 322 T and L corner angle are used in corner joint
45° Köşe Birleşimde 700 322 Alternatifi 700 334 Kullanılır. 700 334 is used as the alternative for 700 322 in 45° corner joint.
45° Köşe Birleşimde Sadece Dışta 700 335 kullanılır. 700 335 is used only on the exterior for 45° corner joint

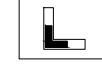


P 1875

Takviyeli Profil / 2,795kg/mt
Reinforcement Frame Profile



20-5421 20-5414



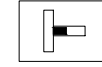
P1879
9.1mm

P1879
18.1mm



700 322
700 334

-



-

I_x

188.06 cm⁴


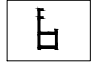

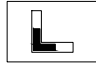

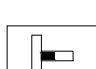
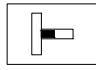
I_y



52.16 cm⁴

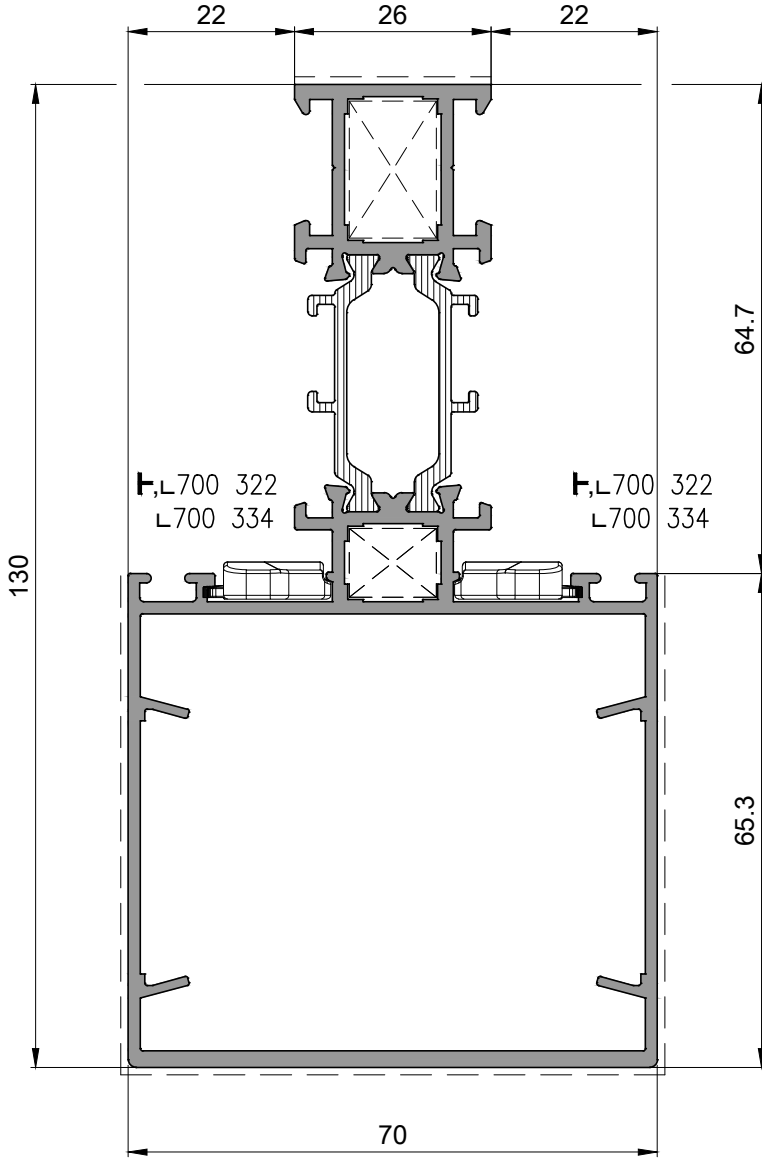
NOT : 700 322 Onbaşı T ve L Köşe Birleşimde Kullanılır. 700 322 T and L corner angle are used in corner joint
45° Köşe Birleşimde 700 322 Alternatifi 700 334 Kullanılır. 700 334 is used as the alternative for 700 322 in 45° corner joint.
45° Köşe Birleşimde Sadece Dışta 700 335 kullanılır. 700 335 is used only on the exterior for 45° corner joint

P 1871

Takviyeli Profil / 2,485kg/mt
Mullion Profile

		
20-5418	20-5416	20-5416
	P1163 9.1mm	P1163 18.1mm
	700 322	-
	700 334	-
	700 857	-




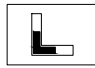

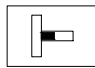
I_x  123.75 cm⁴ I_y  40.50 cm⁴





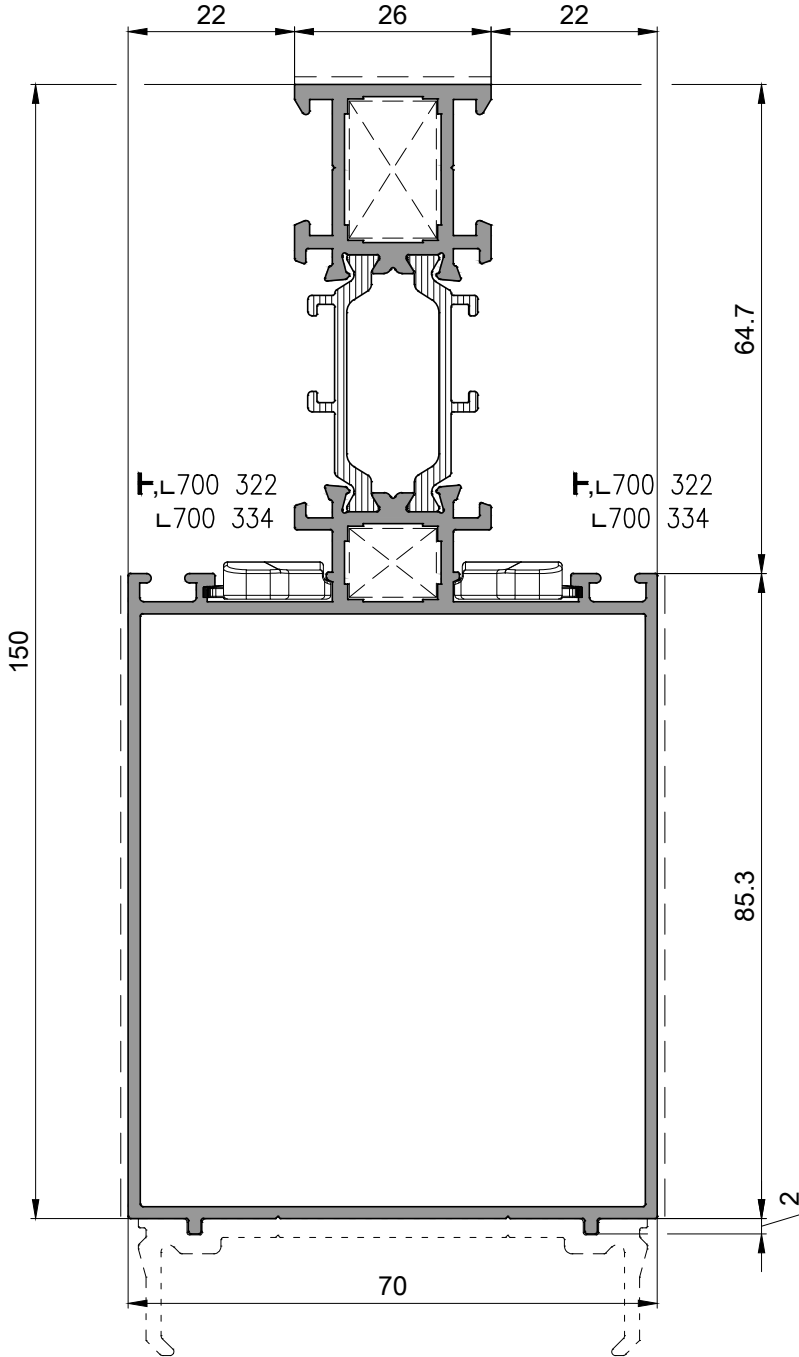
NOT : 700 322 Onbaşı T ve L Köşe Birleşimde Kullanılır. 700 322 T and L corner angle are used in corner joint
45° Köşe Birleşimde 700 322 Alternatifi 700 334 Kullanılır. 700 334 is used as the alternative for 700 322 in 45° corner joint.
45° Köşe Birleşimde Sadece Dışta 700 335 kullanılır. 700 335 is used only on the exterior for 45° corner joint

P 1870

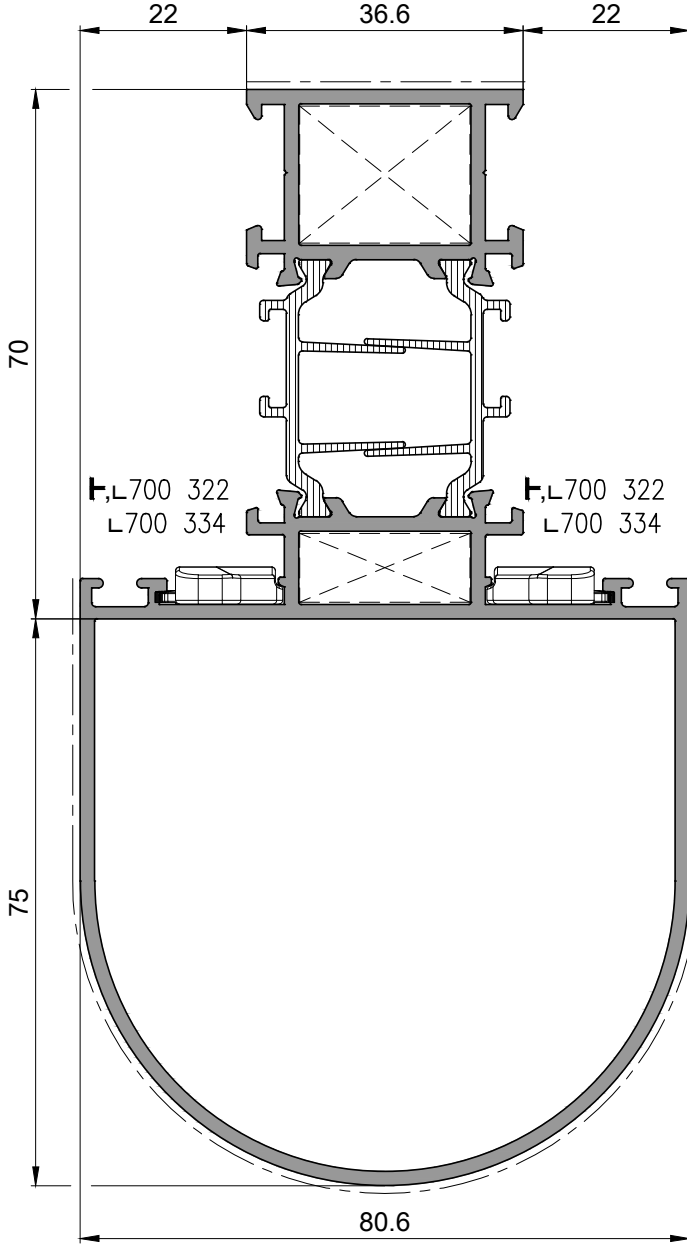
Takviyeli Profil / 2,470kg/mt
Mullion Profile

		
	20-5420	20-5416
	P1163 9.1mm	P1163 18.1mm
	700 322 700 334	-
	700 857	

I_x  160.53 cm⁴ I_y  43.57 cm⁴



NOT : 700 322 Onbaşı T ve L Köşe Birleşimde Kullanılır. 700 322 T and L corner angle are used in corner joint
45° Köşe Birleşimde 700 322 Alternatifi 700 334 Kullanılır. 700 334 is used as the alternative for 700 322 in 45° corner joint.
45° Köşe Birleşimde Sadece Dışta 700 335 kullanılır. 700 335 is used only on the exterior for 45° corner joint



P 1225

Takviyeli Profil / 2,835kg/mt

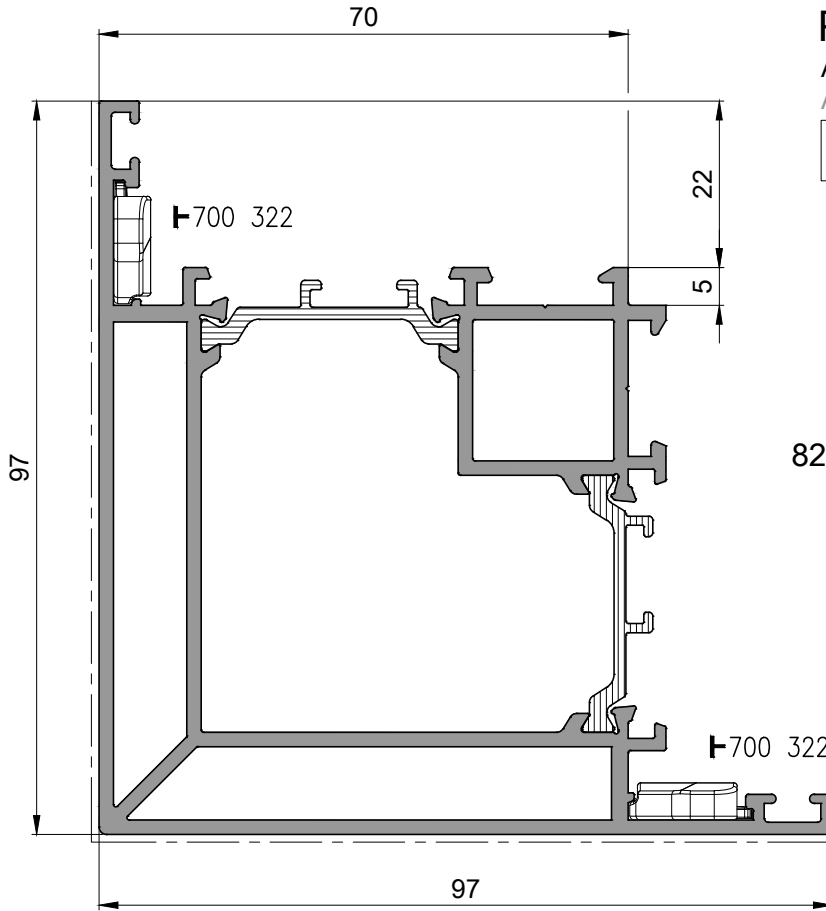
Mullion Profile

	13914	13102
	P1118 9.1mm	P1118 18.1mm
	700 322 700 334	-
	700 333	

ix)
152.90 cm⁴

ly)
55.20 cm⁴

NOT : 700 322 Onbaşı T ve L Köşe Birleşimde Kullanılır. 700 322 T and L corner angle are used in corner joint
45° Köşe Birleşimde 700 322 Alternatifi 700 334 Kullanılır. 700 334 is used as the alternative for 700 322 in 45° corner joint.
45° Köşe Birleşimde Sadece Dışta 700 335 kullanılır. 700 335 is used only on the exterior for 45° corner joint



P 1540

Adaptör Profili / 2,845kg/mt
Adapter Profile



15346

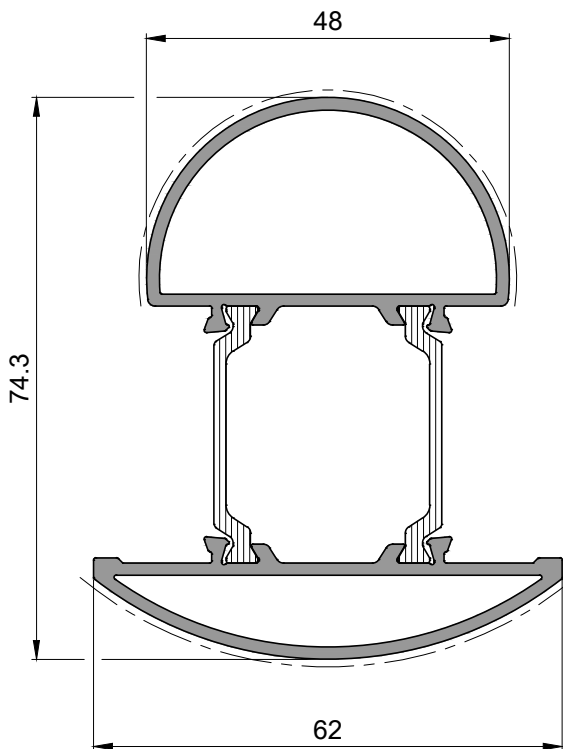
15298

I_x

82.05 cm⁴

I_y

64.35 cm⁴



P 1539

Adaptör Profili / 1,465kg/mt
Adapter Profile



15345

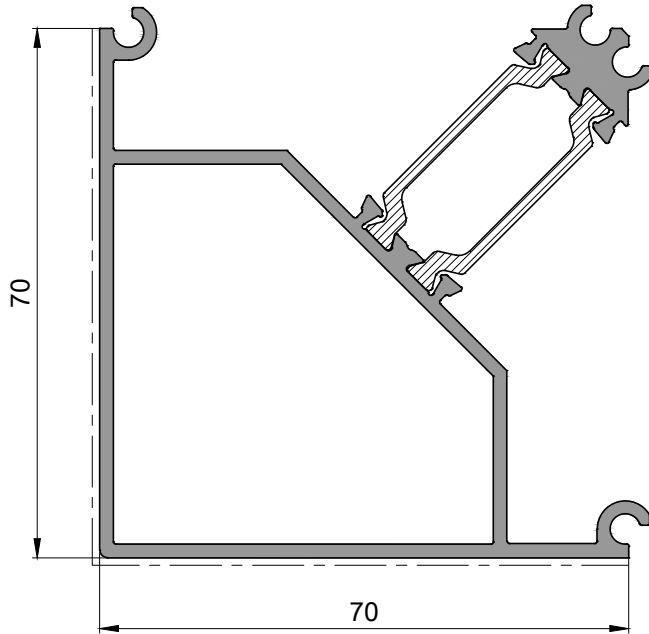
15312

I_x

25.25 cm⁴

I_y

12.87 cm⁴



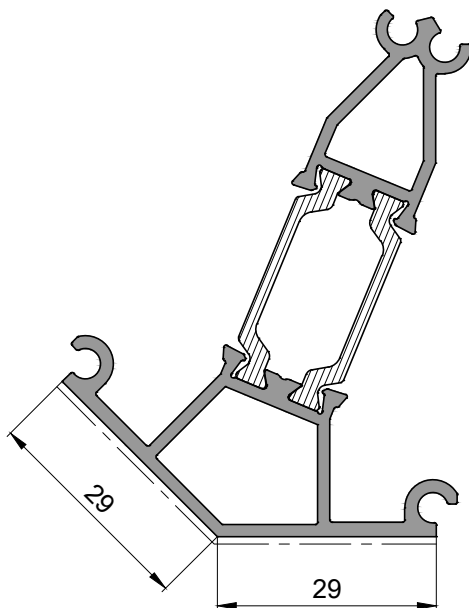
P 1541

Adaptör Profili / 1,755kg/mt
Adapter Profile

	15347	15300

I_x 33.04 cm⁴

I_y 35.35 cm⁴



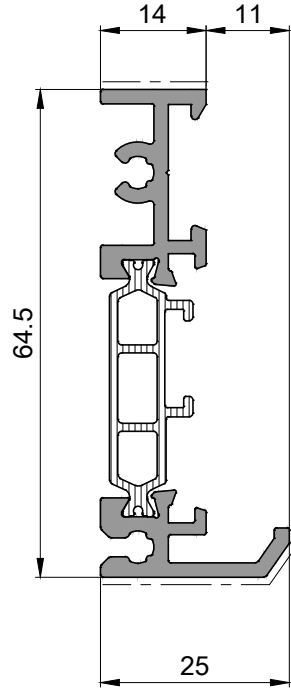
P 1542

Adaptör Profili / 1,175kg/mt
Adapter Profile

	15348	15302

I_x 18.11 cm⁴




I_y 5.26 cm⁴





P 1231

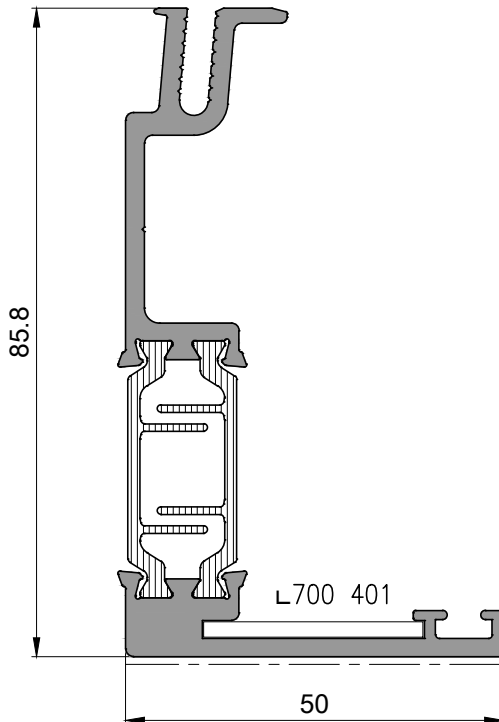
Eşik Profili / 0,810kg/mt

Threshold Profile

		
	14009	14008

I_x 
12.55 cm⁴

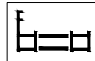
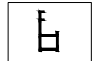
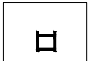
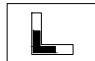

I_y 
0.69 cm⁴





P 1223

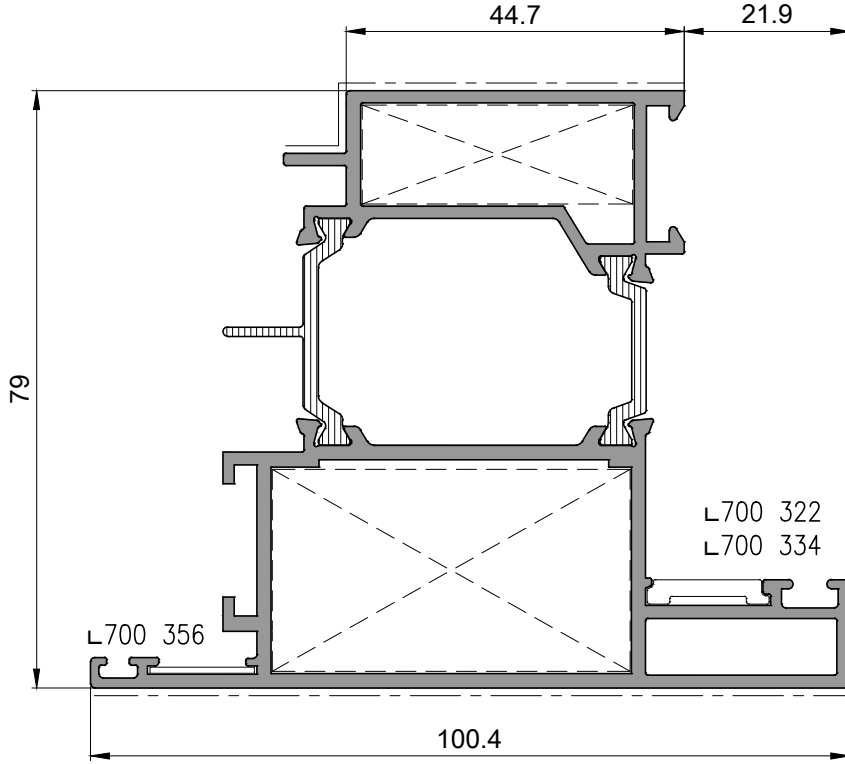
Körkasa Profili / 1,520kg/mt

Subframe Profile

		
	13965	13966
	-	-
	700 401	-

I_x 
42.31 cm⁴

I_y 
6.31 cm⁴



P 1543

Kanat Profili / 2,310kg/mt

Sash Profile

	13739	15303
	P1187 26.7mm	P1161 13.1mm
	700 322 700 334 700 356	-

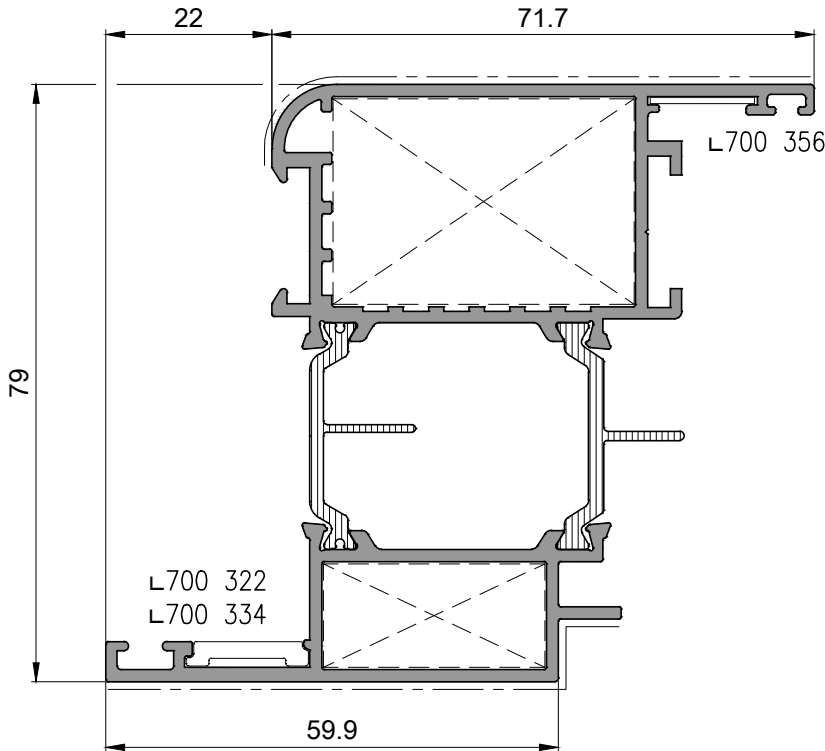
ix)
52.15 cm4

ly)
47.47 cm4

NOT :

45° Köşe Birleşimde 700 322 Alternatifi 700 334 Kullanılır.

700 334 is used as the alternative for 700 322 in 45° corner joint.



P 1148

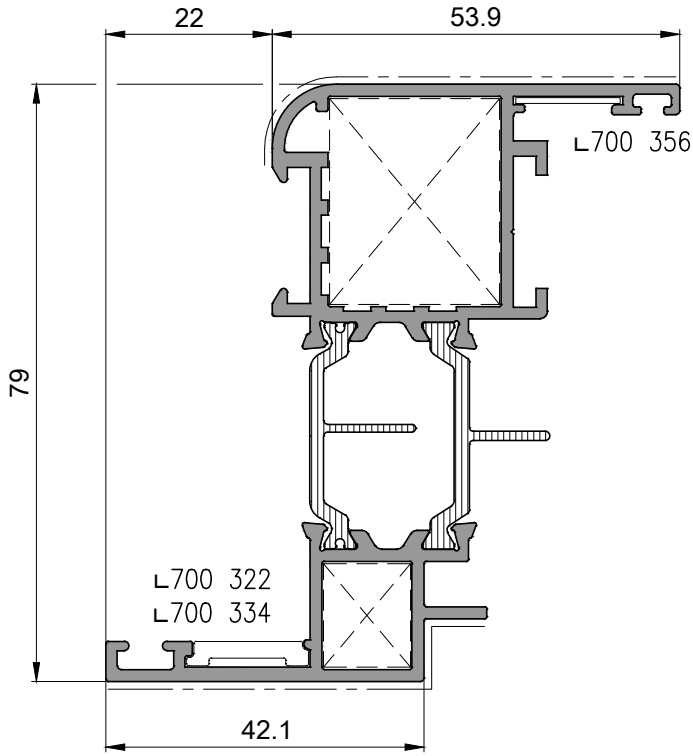
Kanat Profili / 1,940kg/mt

Sash Profile

	13696	13695
	P1162 13.7mm	P1116 27.2mm
	700 322 700 334	700 356

ix)
52.91 cm4

ly)
21.21 cm4



P 1147

Kanat Profili / 1,610kg/mt

Sash Profile

	13694	13693
	P1163 13.7mm	P1118 27.2mm
	700 322 700 334	700 356

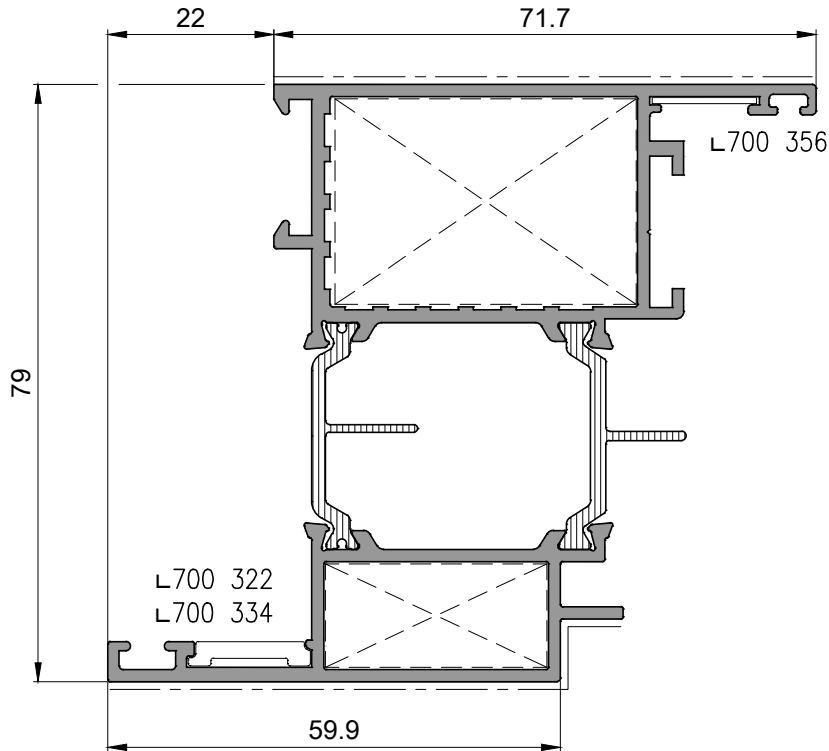
I_x)
41.01 cm⁴

I_y)
8.42 cm⁴

NOT :

45° Köşe Birleşimde 700 322 Alternatifi 700 334 Kullanılır.

700 334 is used as the alternative for 700 322 in 45° corner joint.



P 1544

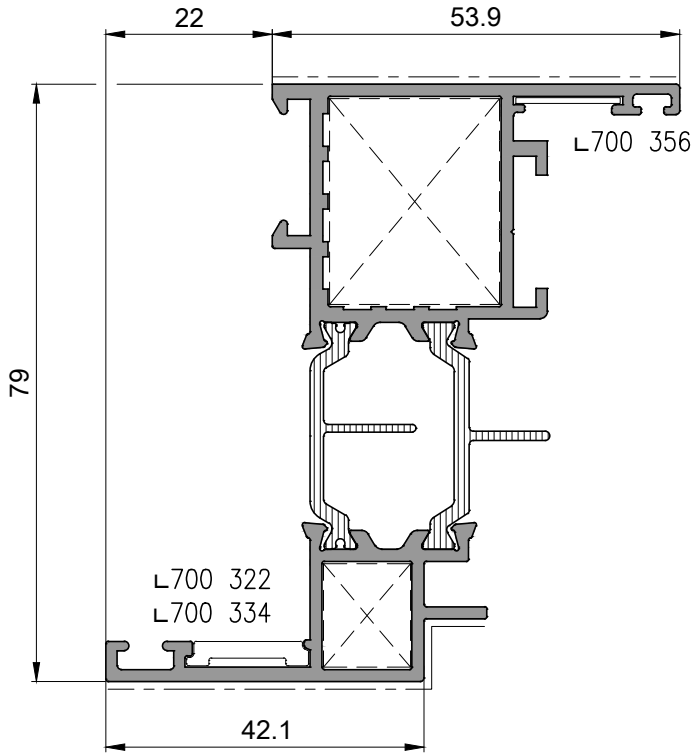
Kanat Profili / 1,920kg/mt

Sash Profile

	13696	15304
	P1162 13.7mm	P1116 27.2mm
	700 322 700 334	700 356

I_x)
53.26 cm⁴

I_y)
21.16 cm⁴



P 1545

Kanat Profili / 1,615kg/mt

Sash Profile

	13694	15305
	P1163 13.7mm	P1118 27.2mm
	700 322 700 334	700 356

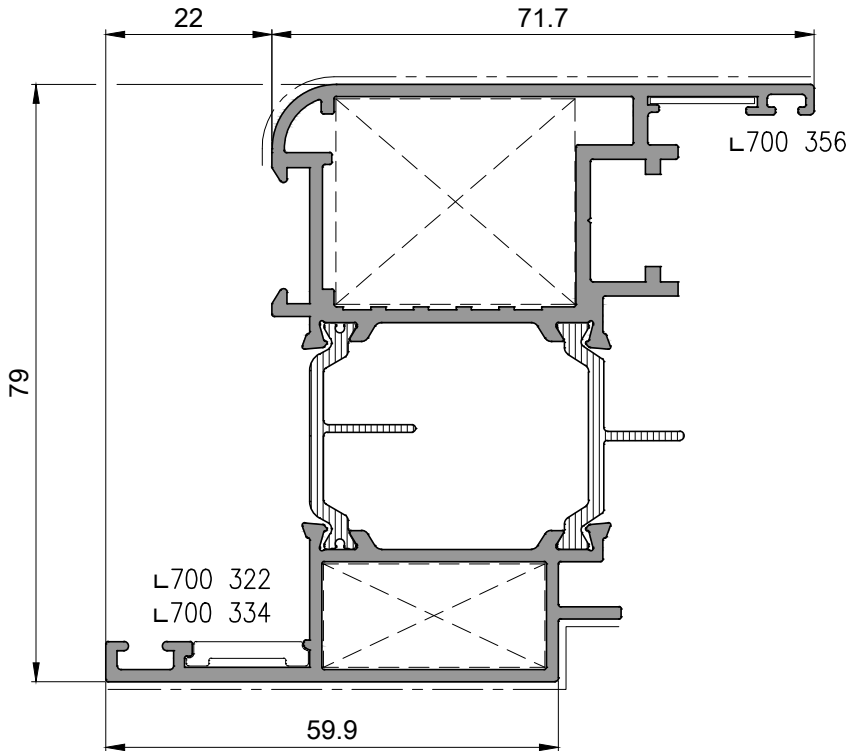
I_x)
41.52 cm⁴

I_y)
8.42 cm⁴

NOT :

45° Köşe Birleşimde 700 322 Alternatifi 700 334 Kullanılır.

700 334 is used as the alternative for 700 322 in 45° corner joint.



P 2076

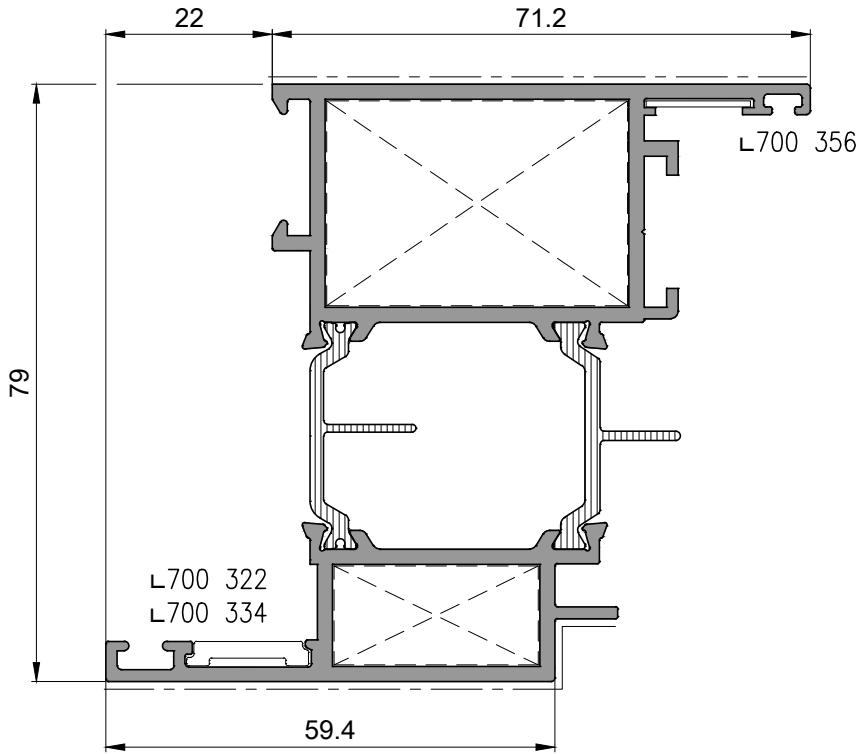
Kanat Profili / 2,020kg/mt

Sash Profile

	13696	17507
	P1162 13.7mm	P2093 27.2mm
	700 322 700 334	700 356

I_x)
54.79 cm⁴






I_y)
20.88 cm⁴



P 2079

Kanat Profili / 2,135kg/mt

Sash Profile

		
	17540	17541
	P1070 13.0mm	P 1116 27.0mm
	700 322 700 334	700 356

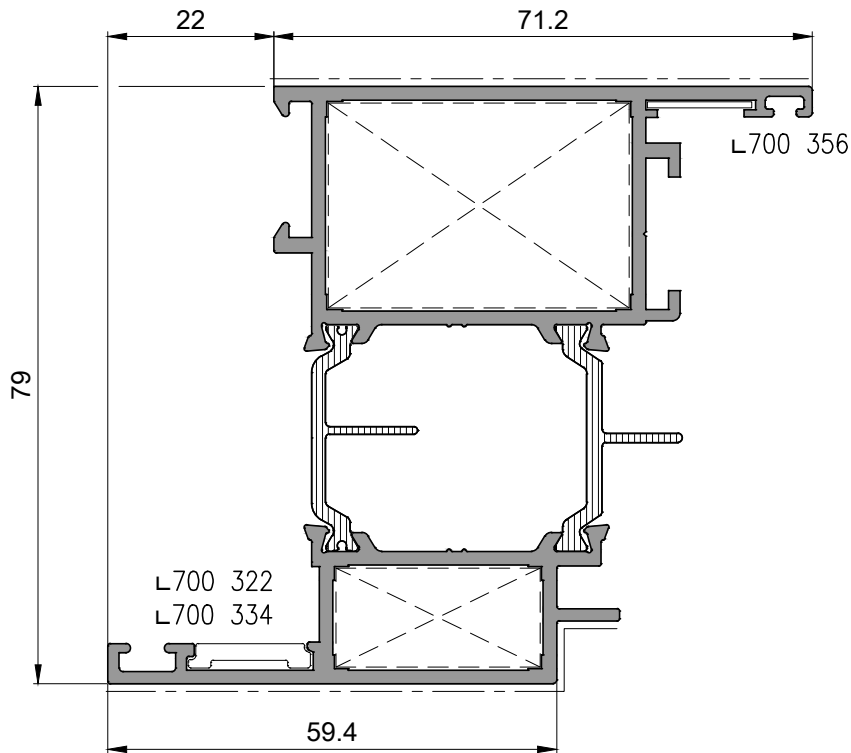
I_x)
56.85 cm⁴

I_y)
22.44 cm⁴

NOT :

45° Köşe Birleşimde 700 322 Alternatifi 700 334 Kullanılır.

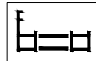
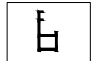
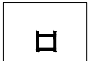
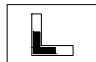

700 334 is used as the alternative for 700 322 in 45° corner joint.



P 2080

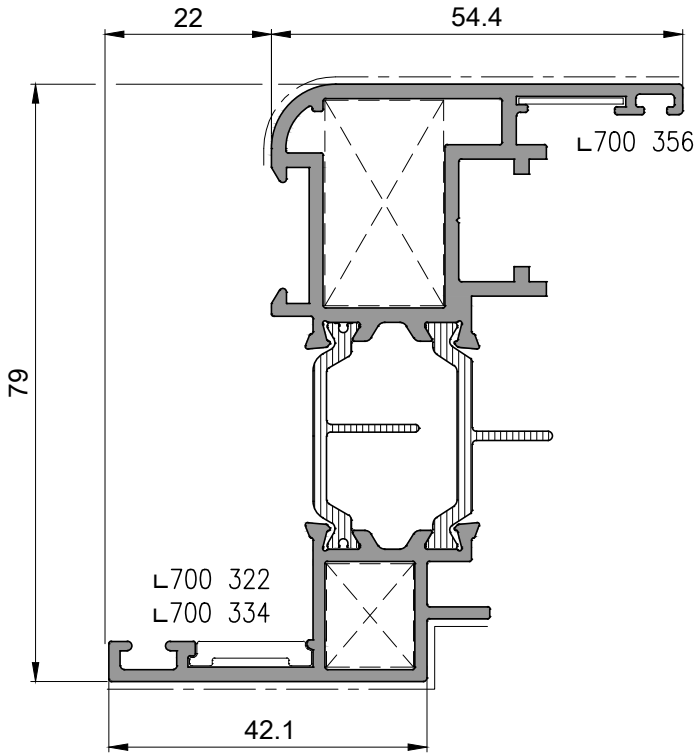
Kanat Profili / 2,040kg/mt

Sash Profile

		
	5856	5853
	P1070 13.0mm	P1116 27.0mm
	700 322 700 334	700 356

I_x)
56.44 cm⁴

I_y)
21.52 cm⁴



P 2078

Kanat Profili / 1,735kg/mt

Sash Profile

	13694	17504
	P1163 13.7mm	P 1016 27.1mm
	700 322 700 334	700 356

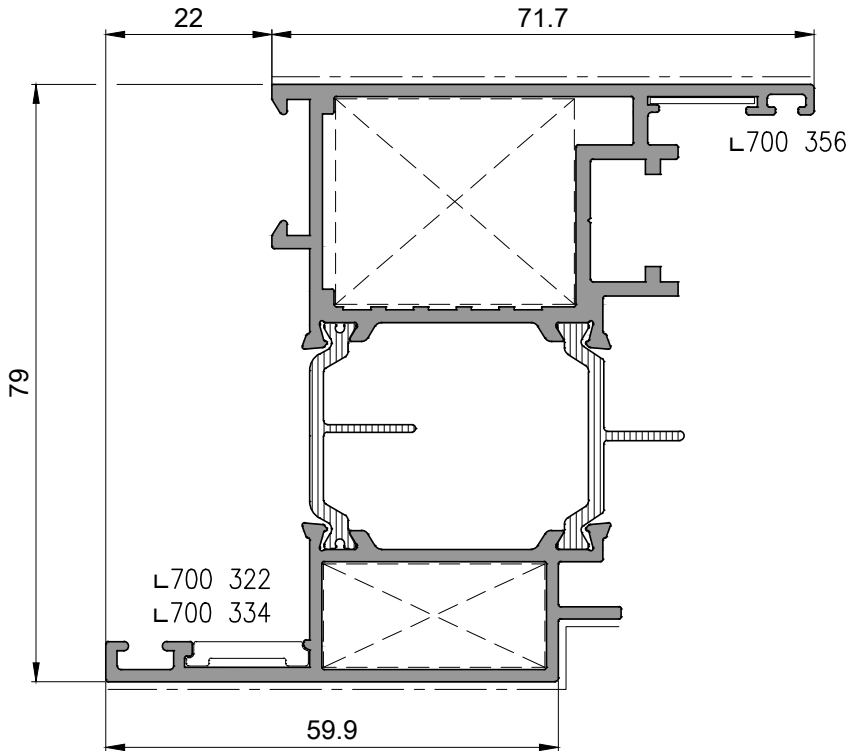
I_x)
43.10 cm⁴

I_y)
8.48 cm⁴

NOT :

45° Köşe Birleşimde 700 322 Alternatifi 700 334 Kullanılır.

700 334 is used as the alternative for 700 322 in 45° corner joint.



P 2075

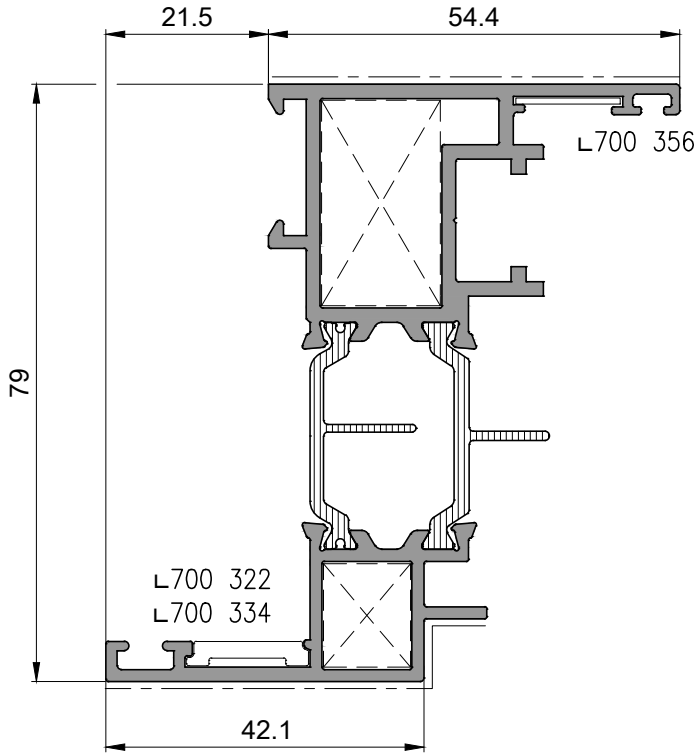
Kanat Profili / 2,030kg/mt

Sash Profile

	13696	17506
	P1162 13.7mm	P2093 27.2mm
	700 322 700 334	700 356

I_x)
55.07 cm⁴

I_y)
20.75 cm⁴



P 2077

Kanat Profili / 1,725kg/mt

Sash Profile

	13694	17505
	P1163 13.7mm	P1016 27.1mm
	700 322 700 334	700 356

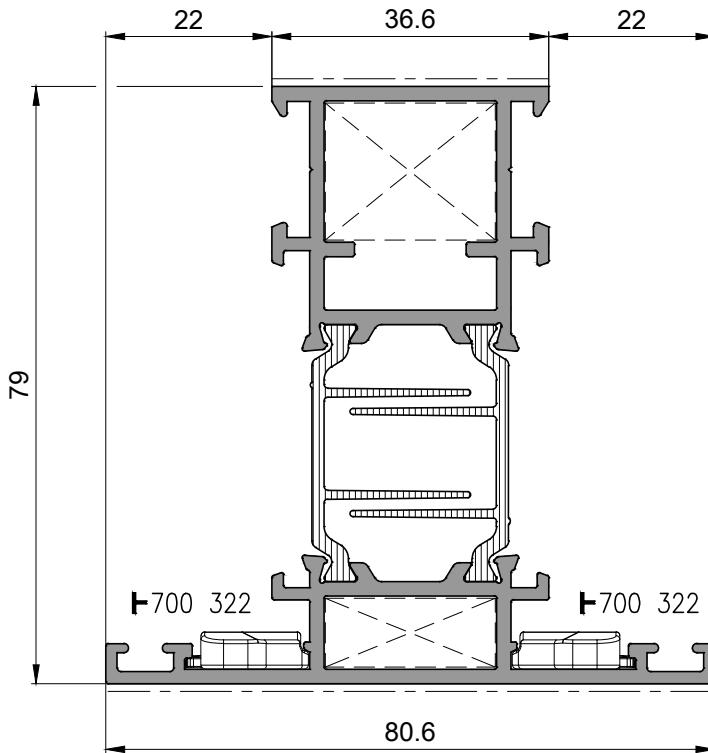
I_x)
43.39 cm⁴

I_y)
8.32 cm⁴

NOT :

45° Köşe Birleşimde 700 322 Alternatifi 700 334 Kullanılır.

700 334 is used as the alternative for 700 322 in 45° corner joint.



P 1154

Kanat içi T Profil / 1,970kg/mt

Mullion Profile for Sash

	13104	13101
	-	-
	700 322	-
	700 333	

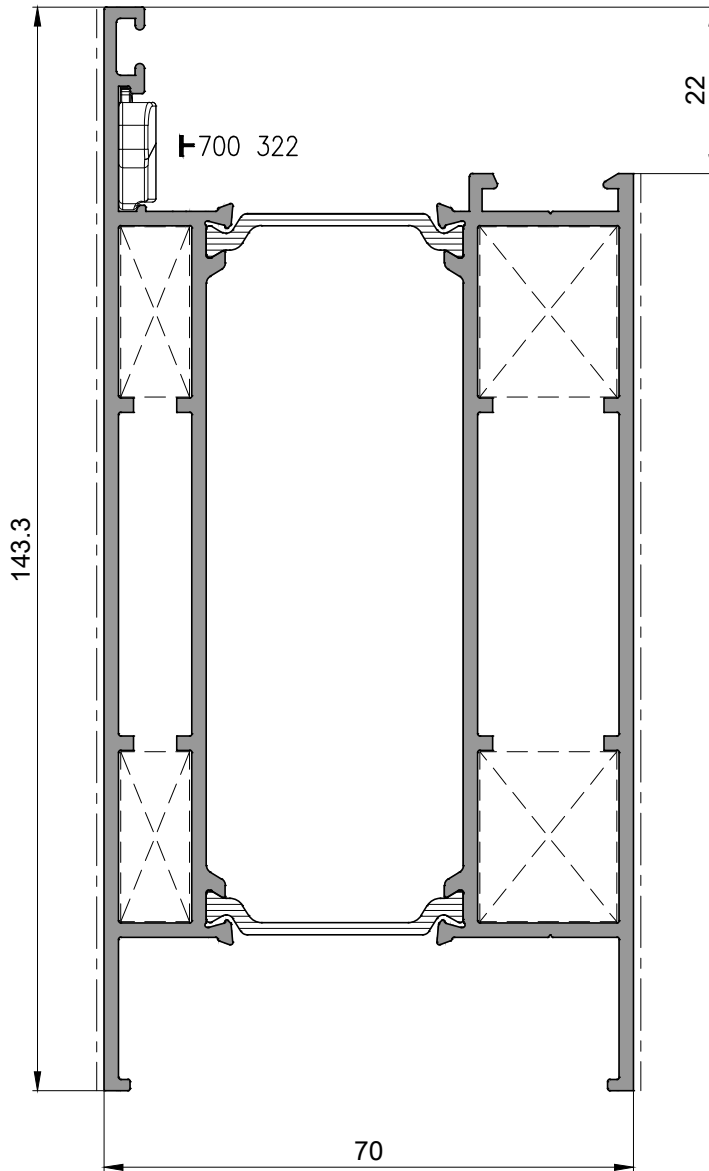
I_x)
46.32 cm⁴

I_y)
17.23 cm⁴

P 1215

Etek Profili / 3,150kg/mt

Sill Profile



	13934	13933
	-	-
	700 322	-
	700 333	

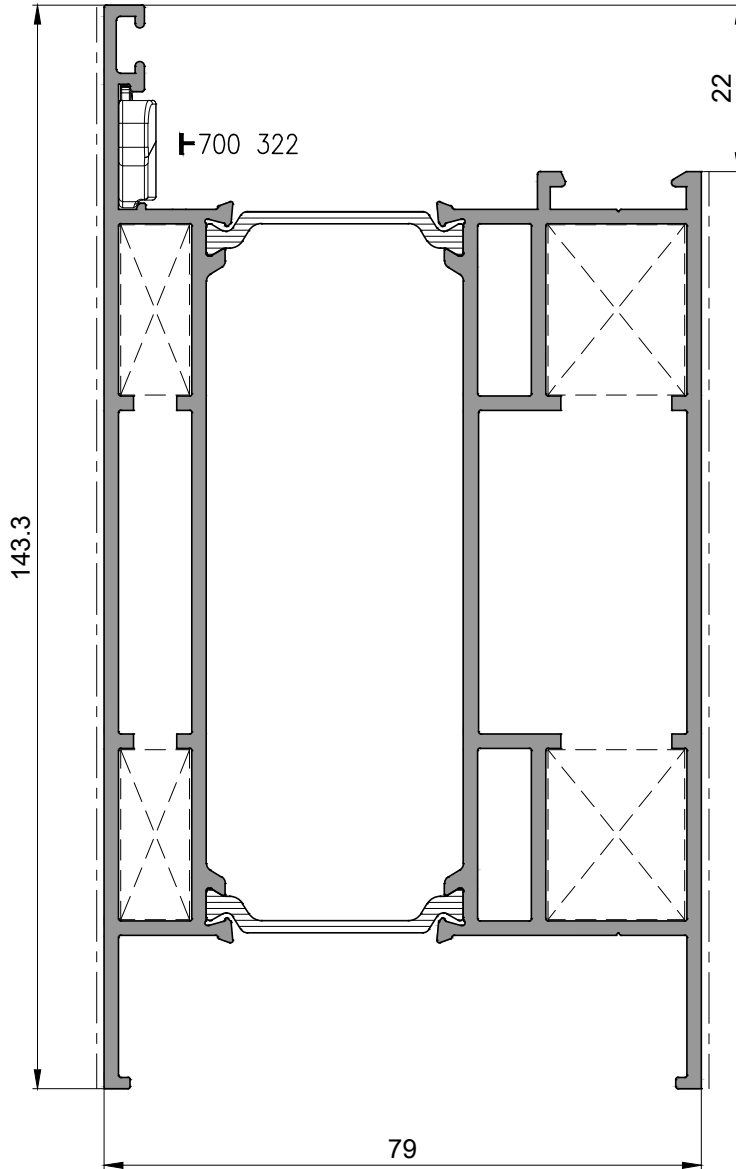
I_x 69.39 cm⁴

 I_y 154.27 cm⁴

P 1230

Etek Profili / 3,585kg/mt

Sill Profile



	13934	14005
	-	-
	700 322	-
	700 333	

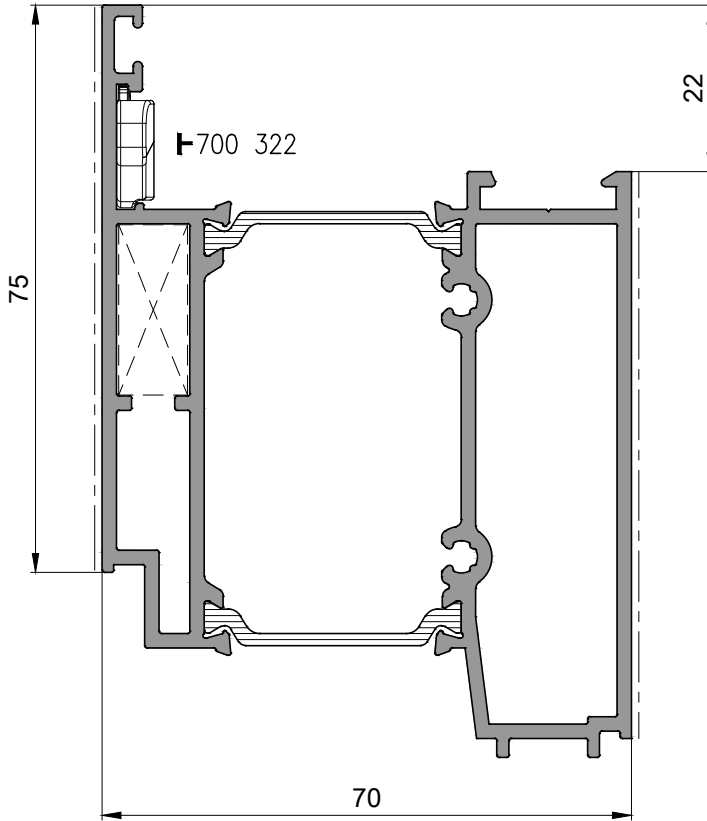
I_x)
92.59 cm⁴

I_y)
175.08 cm⁴

P 1334

Etek Profili / 2,310kg/mt

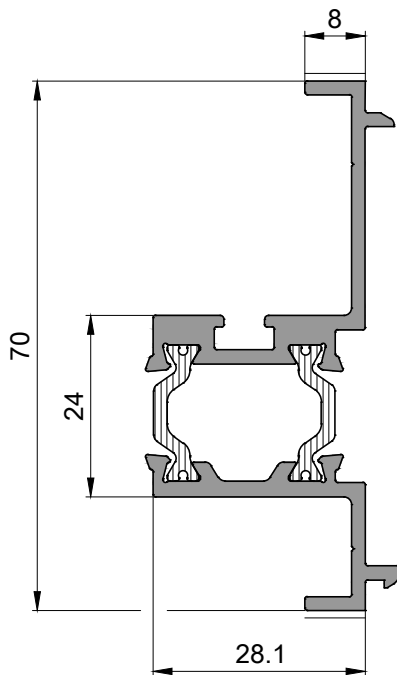
Sill Profile



	14211	14220
	-	-
	700 322	-
	700 333	

ix)
32.42 cm⁴

ly)
66.16 cm⁴



P 1220

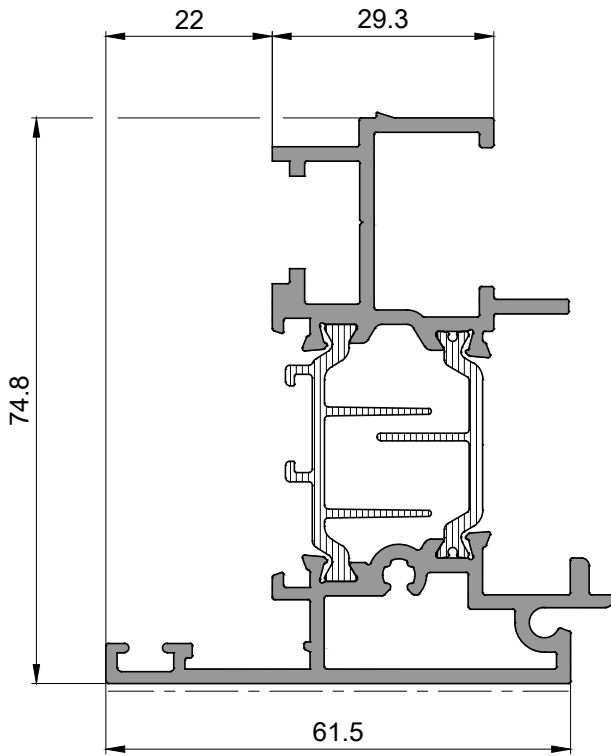
Adaptör Profili / 0,985kg/mt

Adapter Profile

	13955	13954

ix)
9.46 cm⁴

ly)
2.78 cm⁴



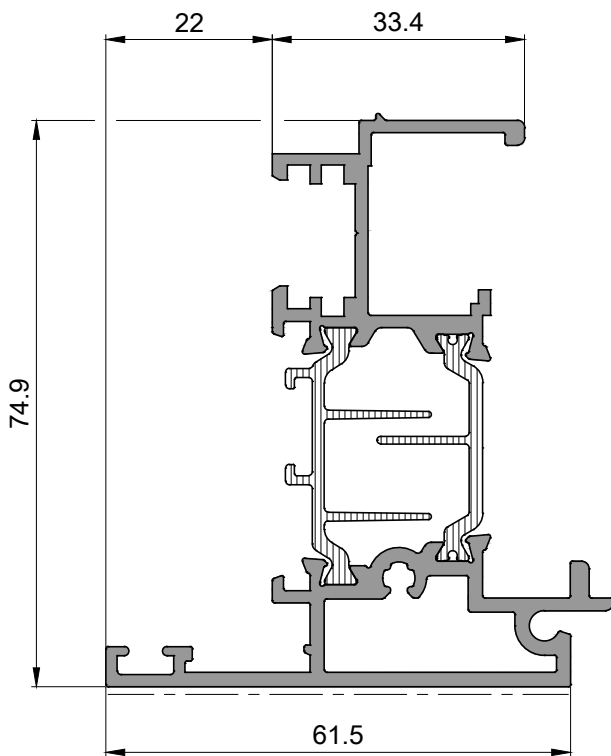
P 1157

Adaptör Profili / 1,775kg/mt
Adapter Profile

	13126	13125

I_x)
32.16 cm⁴

I_y)
11.98 cm⁴



P 1149

Adaptör Profili / 1,690kg/mt
Adapter Profile

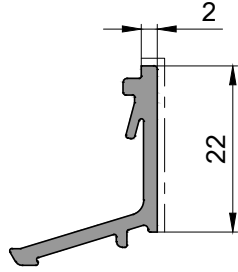
	13126	13697

I_x)
30.97 cm⁴

I_y)
11.33 cm⁴

P 1496

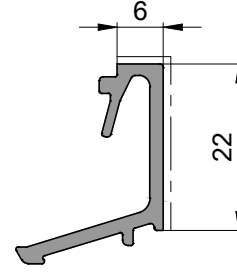
Çita Profili / 0,245kg/mt
Glazing Bead Profile



Kalıp : 15308
(die no)

P 1495

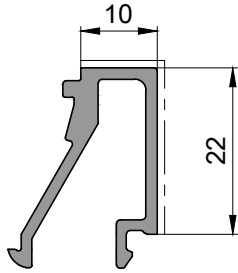
Çita Profili / 0,270kg/mt
Glazing Bead Profile



Kalıp : 15307
(die no)

P 1494

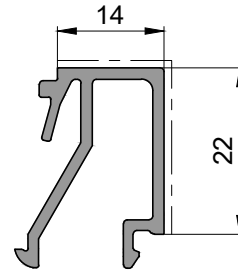
Çita Profili / 0,325kg/mt
Glazing Bead Profile



Kalıp : 15306
(die no)

P 1176

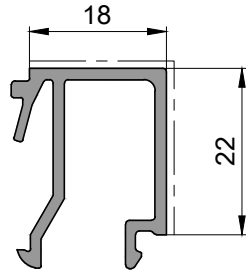
Çita Profili / 0,335kg/mt
Glazing Bead Profile



Kalıp No : 13698
(die no)

P 1179

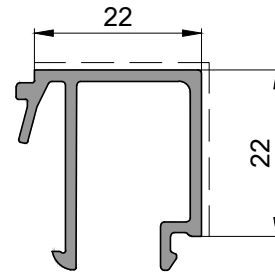
Çita Profili / 0,350kg/mt
Glazing Bead Profile



Kalıp No : 13671
(die no)

P 1105

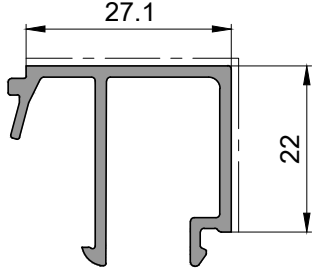
Çita Profili / 0,360kg/mt
Glazing Bead Profile



Kalıp No : 13113
(die no)

P 1180

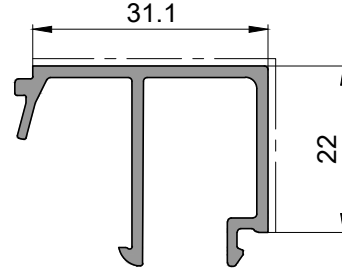
Çita Profili / 0,380kg/mt
Glazing Bead Profile



Kalip No : 13670
(die no)

P 1158

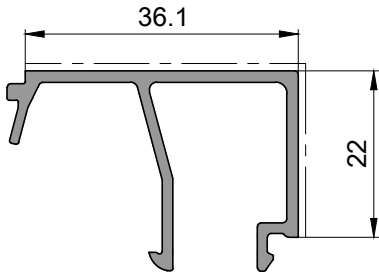
Çita Profili / 0,365kg/mt
Glazing Bead Profile



Kalip No : 13111
(die no)

P 1498

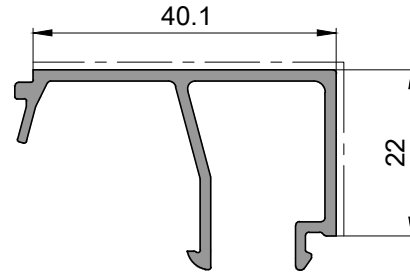
Çita Profili / 0,415kg/mt
Glazing Bead Profile



Kalip : 15310
(die no)

P 1497

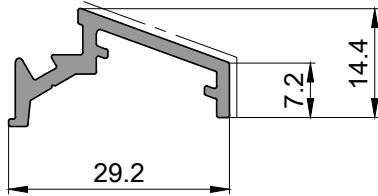
Çita Profili / 0,435kg/mt
Glazing Bead Profile



Kalip : 15309
(die no)

P 1232

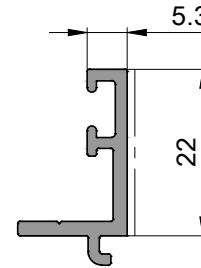
Damlalık Profili / 0,265kg/mt
Dropper Profile



Kalip No : 14010
(die no)

P 1499

Çita Profili / 0,235kg/mt
Glazing Bead Profile



Kalip : 15311
(die no)

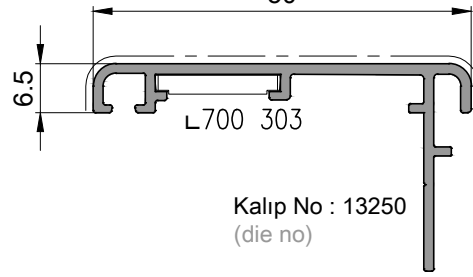
P 1177

Pervaz Profili / 0,300kg/mt
Architrave Profile



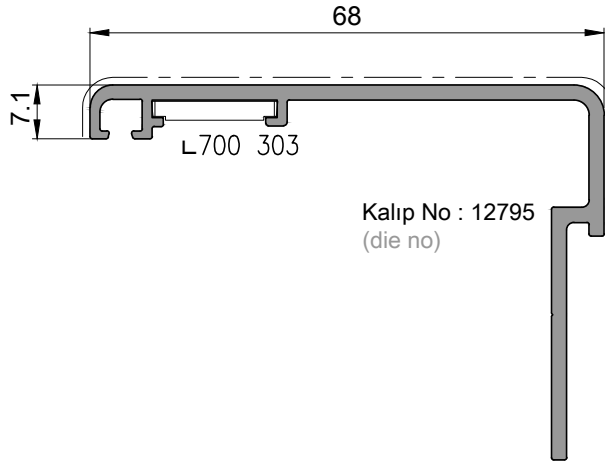
P 1178

Pervaz Profili / 0,375kg/mt
Architrave Profile



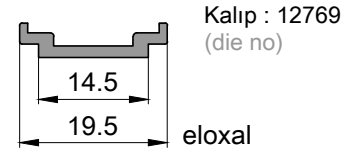
P 1222

Çıta Profili / 0,760kg/mt
Architrave Profile



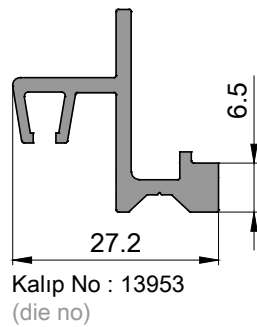
P 1020

Tij Profili / 0,105kg/mt
Rod Profile



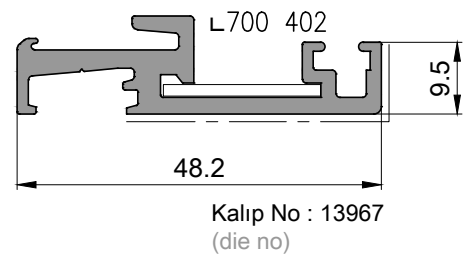
P 1219

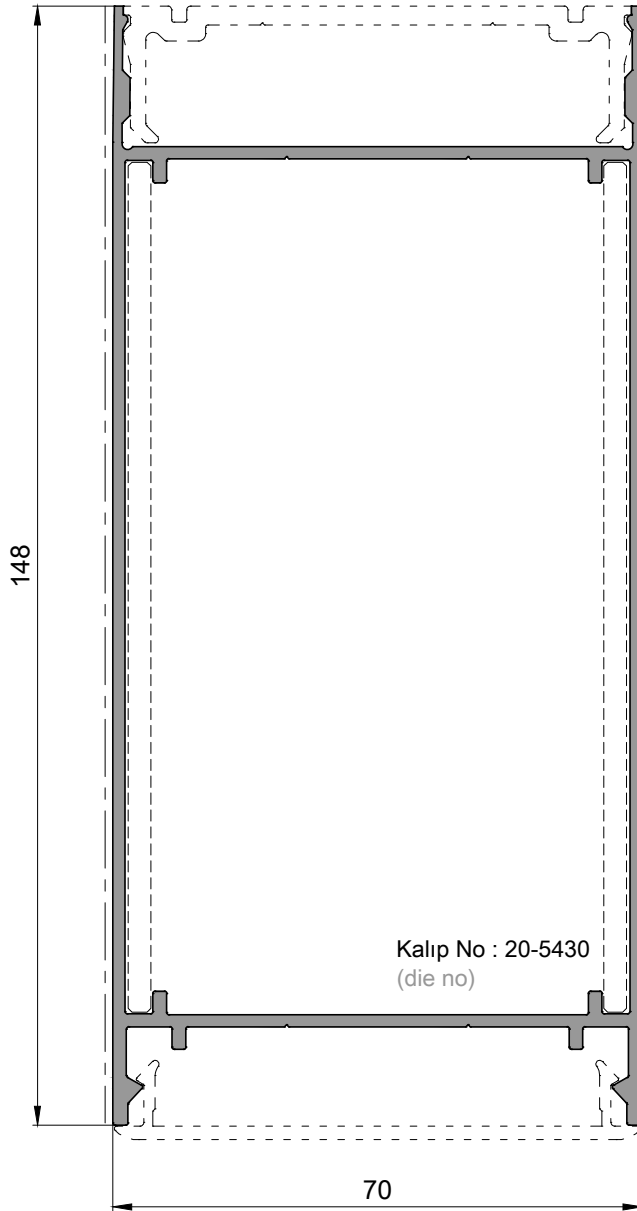
Fırça Profili / 0,405kg/mt
Brush Profile



P 1224

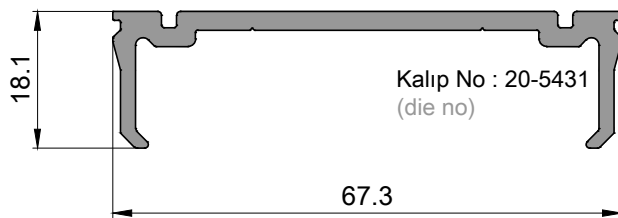
Kör Kasa Kapak Profili / 0,605kg/mt
Glazing bead profile for subframe profile





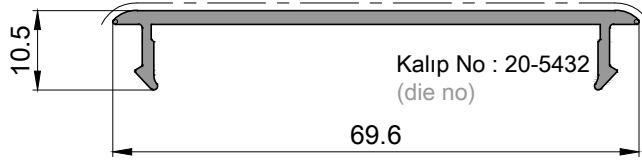
P 1880

Takviye Profili / 1,995kg/mt
Reinforcement Profile



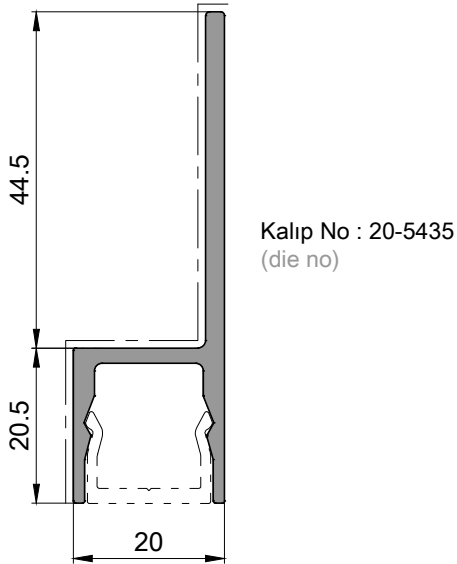
P 1881

U bağlantı profili / 0,695kg/mt
U Connector Profile

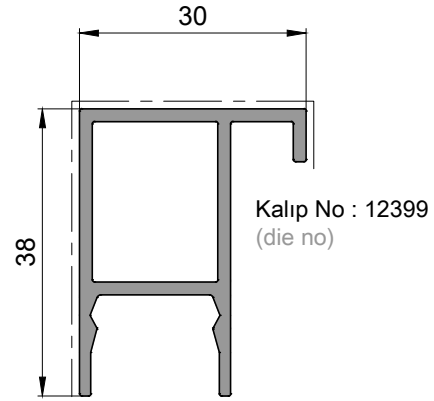


P 1883
Kapak profili / 0,405kg/mt
Cover Profile

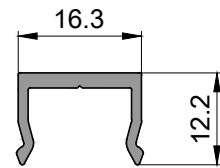
P 1887
Pervaz profili / 0,615kg/mt
Architrave Profile



P 1885
Pervaz profili / 0,575kg/mt
Architrave Profile

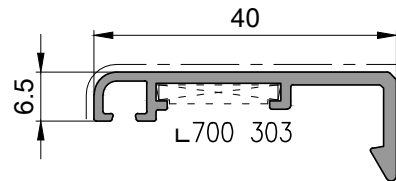


P 1886
Pervaz Bağlantı profili / 0,170kg/mt
Architrave Connector Profile



Kalıp No : 11414
(die no)

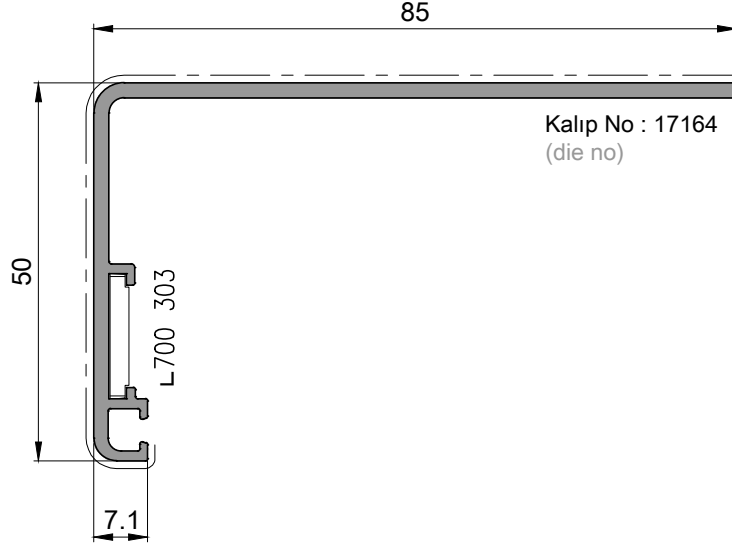
P 1760
Pervaz Profili / 0,290kg/mt
Architrave Profile



Kalıp No : 16214
(die no)

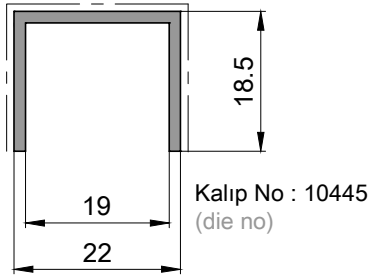
P 2112

Pervaz profili / 0,775kg/mt
Architrave Profile



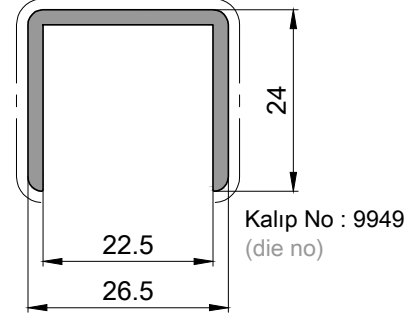
P 1921

Küpeşte U Profili/ 0,230kg/mt
Balustrade U Profile



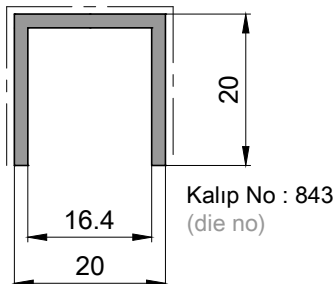
P 1661

Küpeşte U Profili/ 0,375kg/mt
Balustrade U Profile



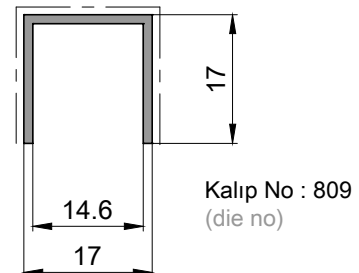
P 1922

Küpeşte U Profili/ 0,275kg/mt
Balustrade U Profile



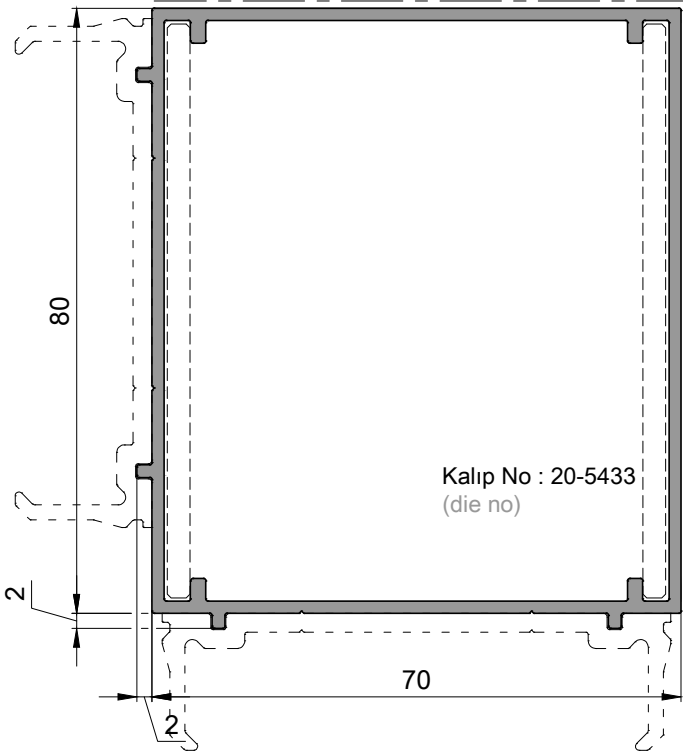
P 1923

Küpeşte U Profili/ 0,160kg/mt
Balustrade U Profile



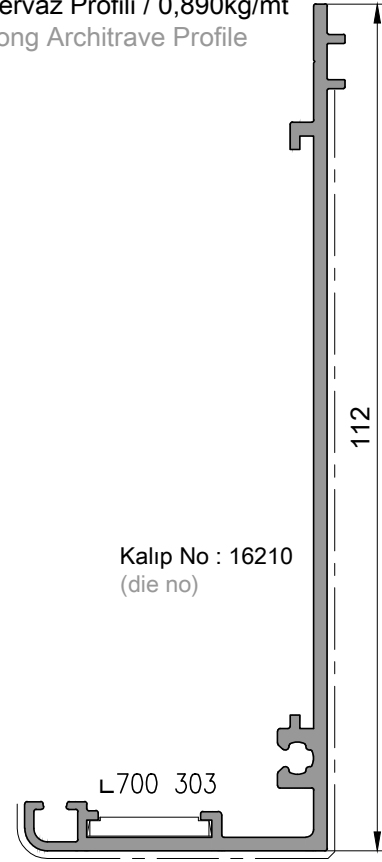
P 1882

Kutu Profil / 1,375kg/mt
Rectangular Profile



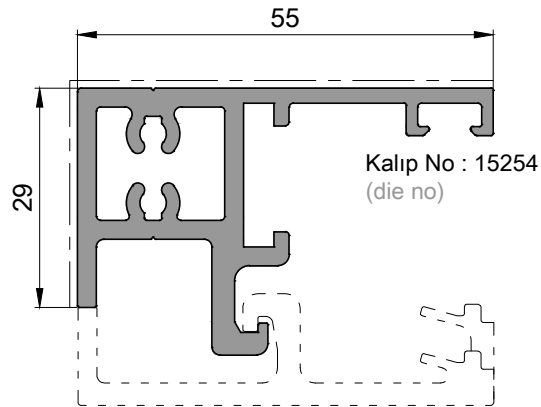
P 1761

Pervaz Profili / 0,890kg/mt
Long Architrave Profile



P 1918

Korkuluk Profil / 1,150kg/mt
Railing Profile

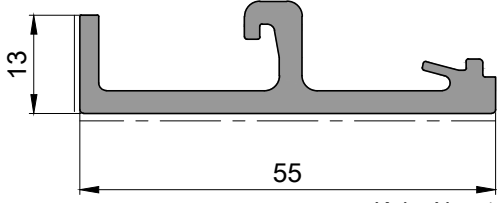


I_x
41.52 cm⁴

I_y
8.42 cm⁴

P 1919

Korkuluk Cam Çıta Profili / 0,730kg/mt
Railing Glazing Bead Profile

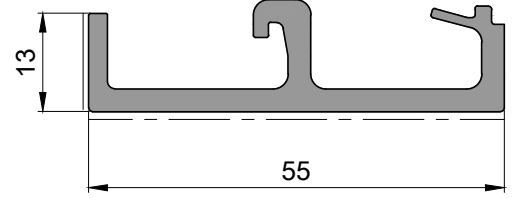


Kalıp No : 15255
(die no)

lx) 7.18 cm⁴
ly) 0.42 cm⁴

P 1920

Korkuluk Cam Çıta Profili / 0,775kg/mt
Railing Glazing Bead Profile

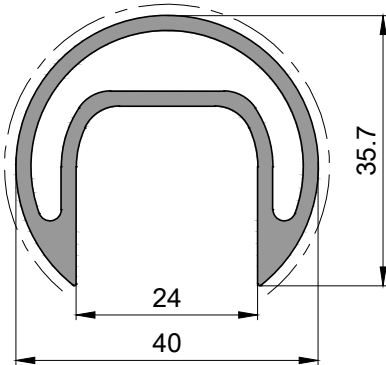


Kalıp No : 15686
(die no)

lx) 8.37 cm⁴
ly) 0.52 cm⁴

P 1660

Küpeşte Profili / 0,890kg/mt
Balustrade Profile

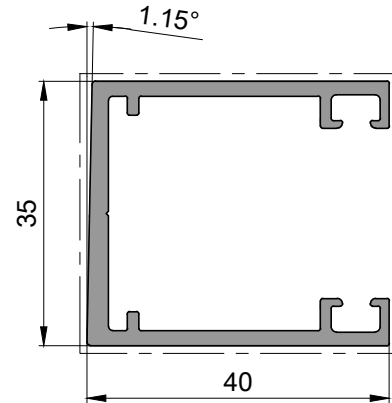


Kalıp No : 8959
(die no)

lx) 5.85 cm⁴
ly) 3.15 cm⁴

P 1694

Korkuluk profili / 0,730kg/mt
Railing Profile

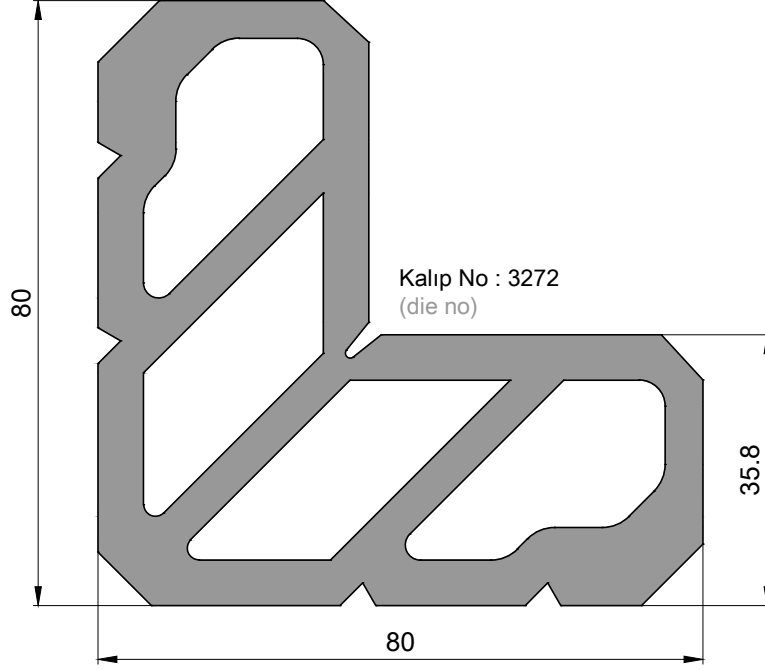


Kalıp No : 17020
(die no)

lx) 5.53 cm⁴
ly) 4.98 cm⁴

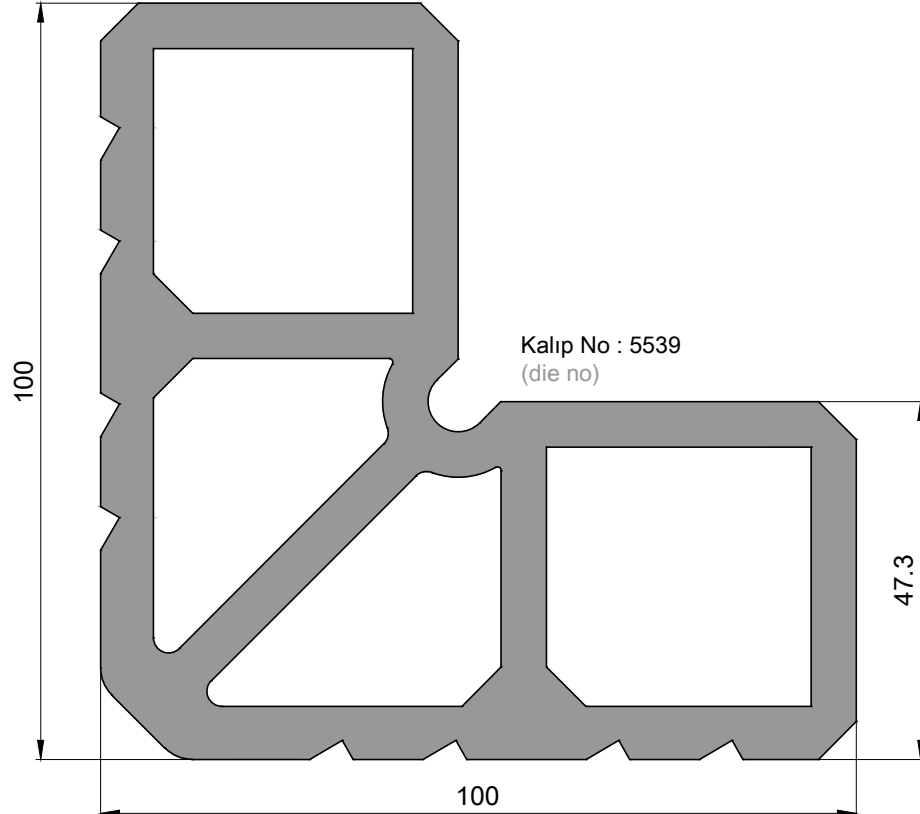
P 1161

Köşe Takoz Profili / 6,230kg/mt
Corner Cleat Profile



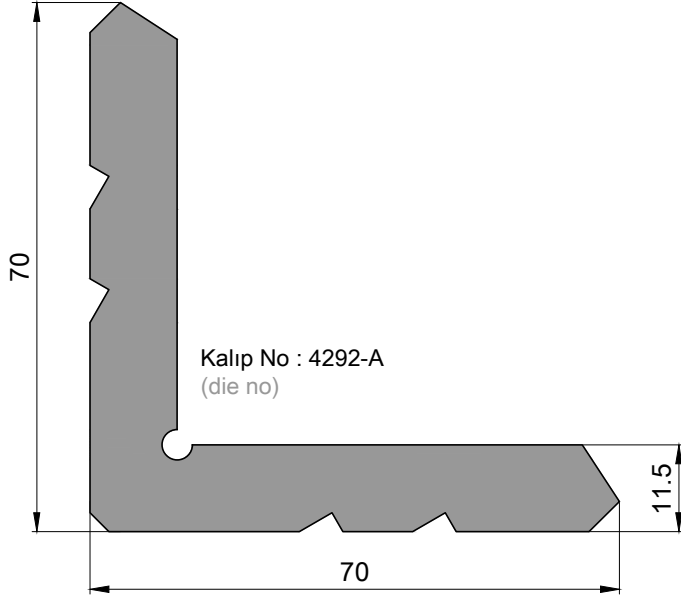
P 1187

Köşe Takoz Profili / 8,305kg/mt
Corner Cleat Profile



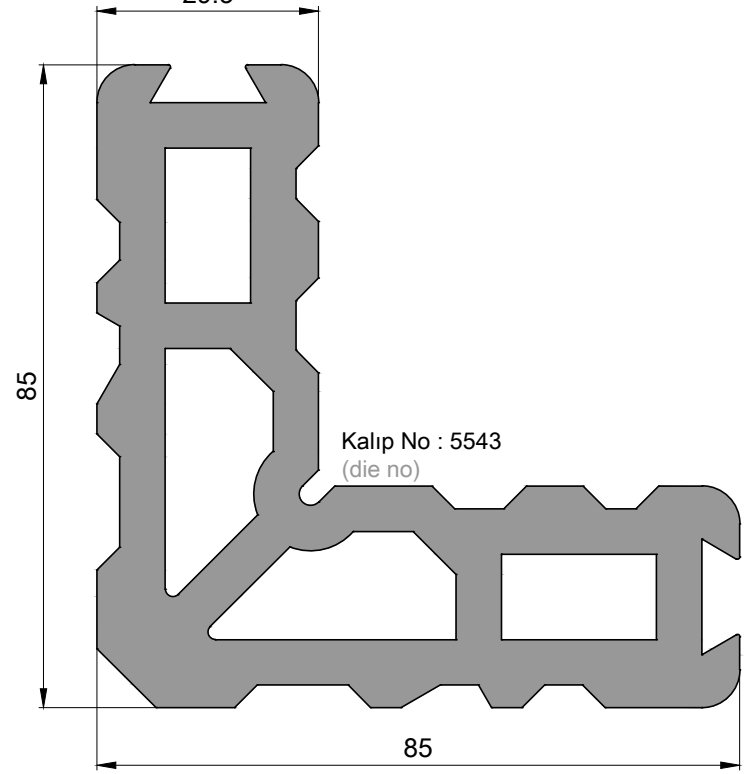
P 1163

Köşe Takoz Profili / 3,750kg/mt
Corner Cleat Profile



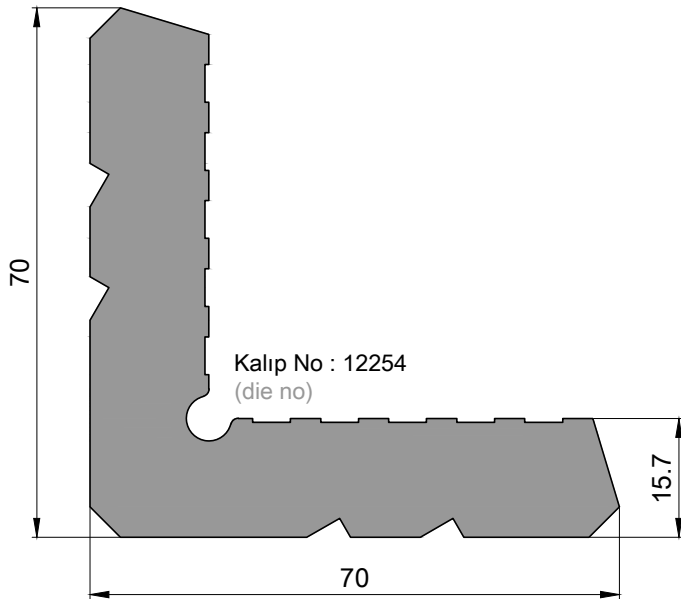
P 1162

Köşe Takoz Profili / 6,705kg/mt
Corner Cleat Profile
29.3



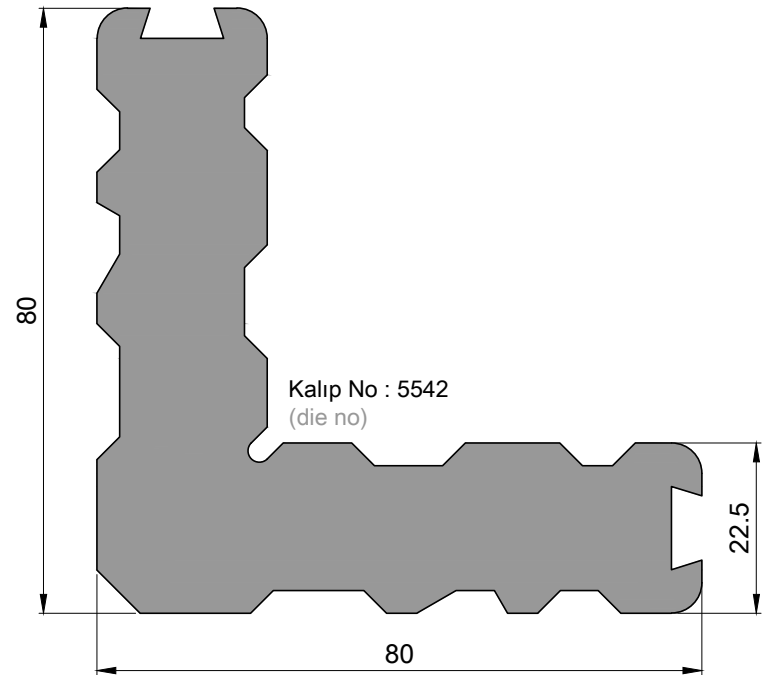
P 1016

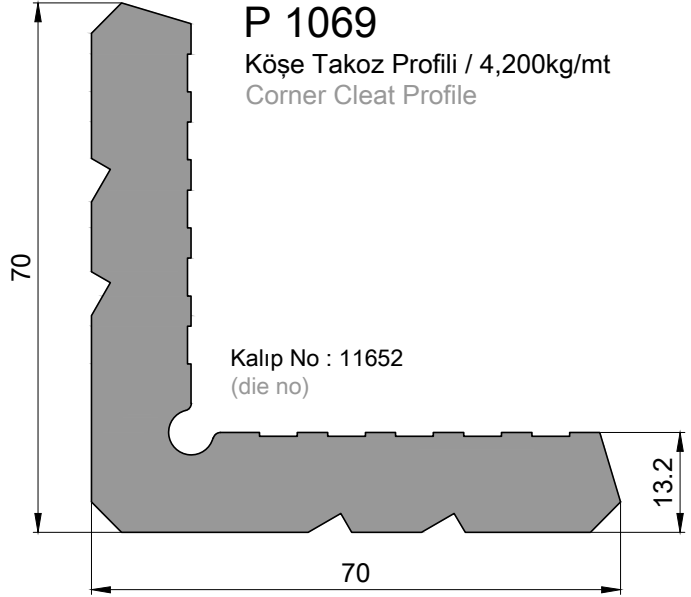
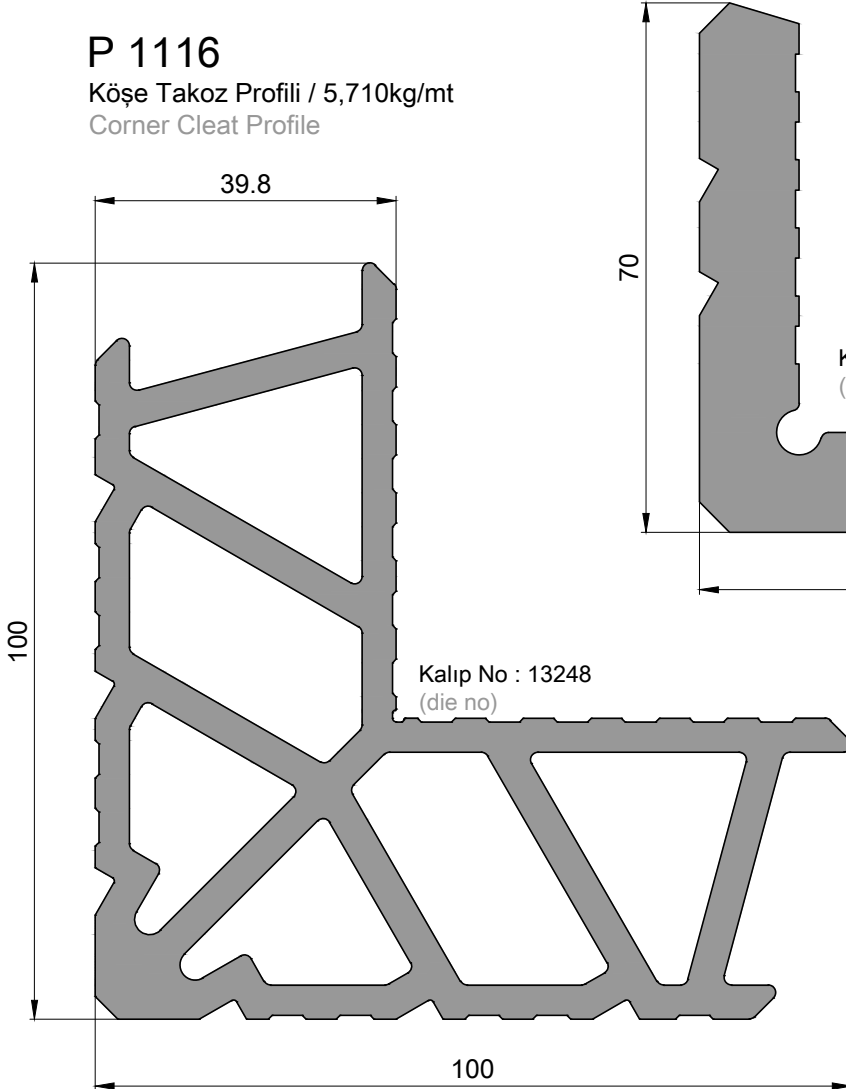
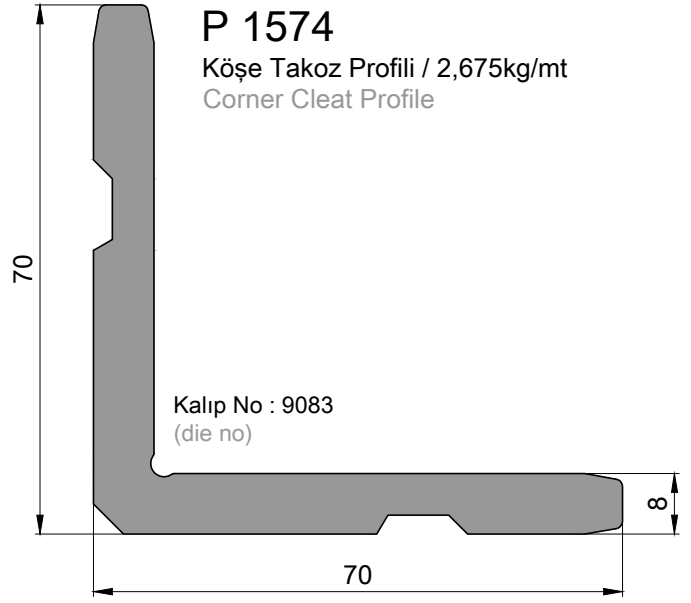
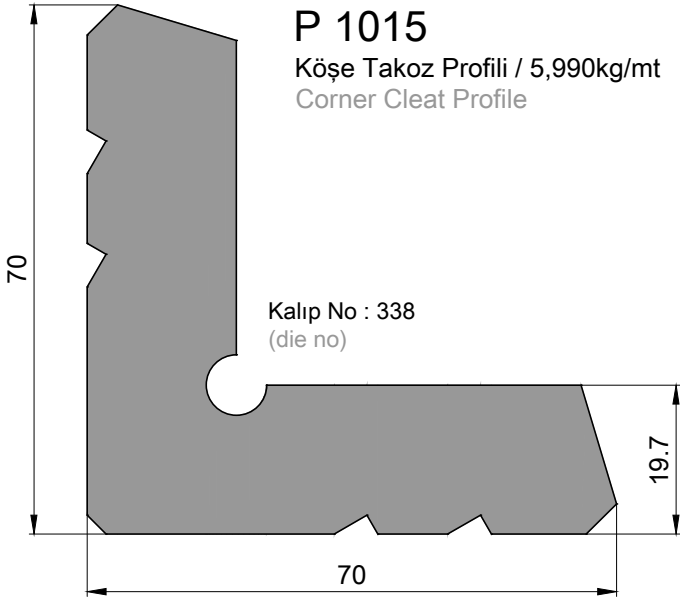
Köşe Takoz Profili / 4,910kg/mt
Corner Cleat Profile



P 1118

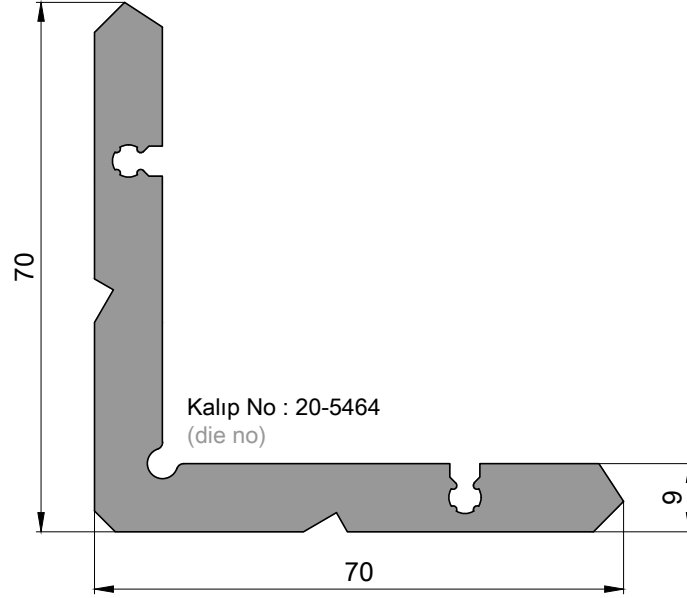
Köşe Takoz Profili / 7,285kg/mt
Corner Cleat Profile





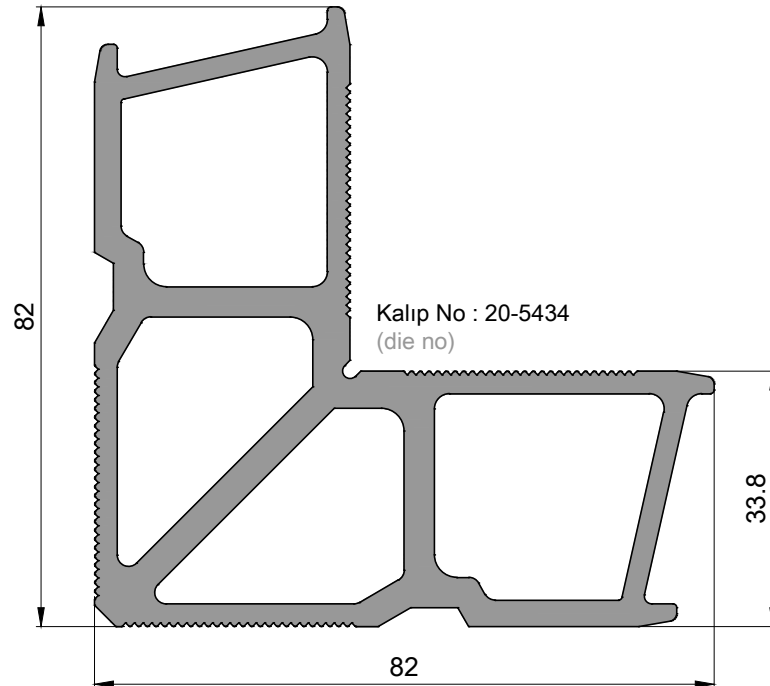
P 1888

Köşe Takoz profili / 2,910kg/mt
Corner Cleat Profile



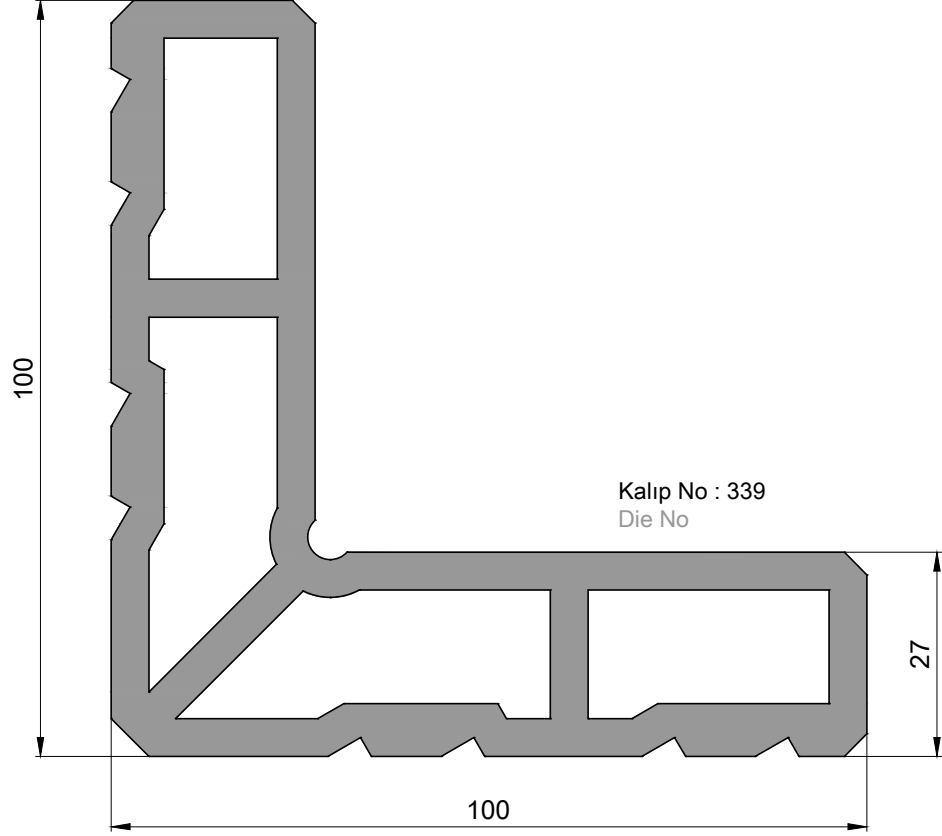
P 1879

Köşe Takoz profili / 3,630kg/mt
Corner Cleat Profile



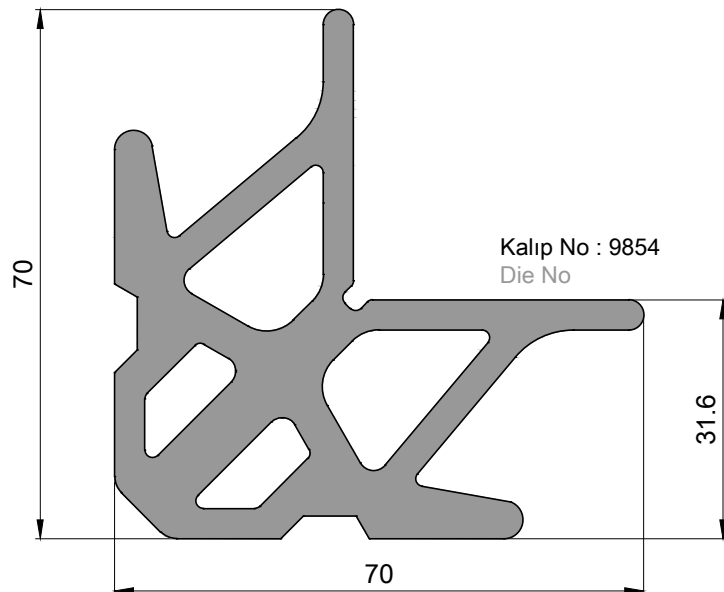
P 1070

Köşe Takoz profili / 6,220kg/mt
Corner Cleat Profile



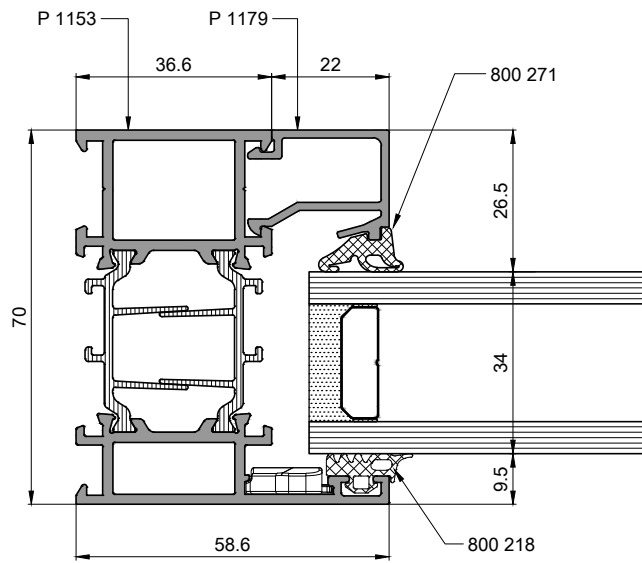
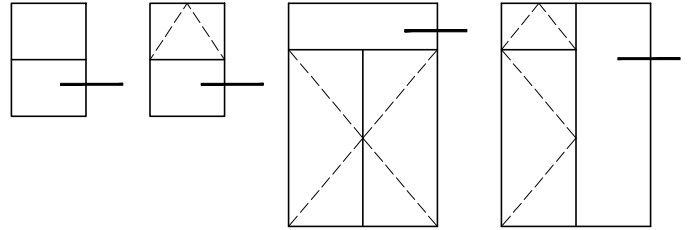
P 2093

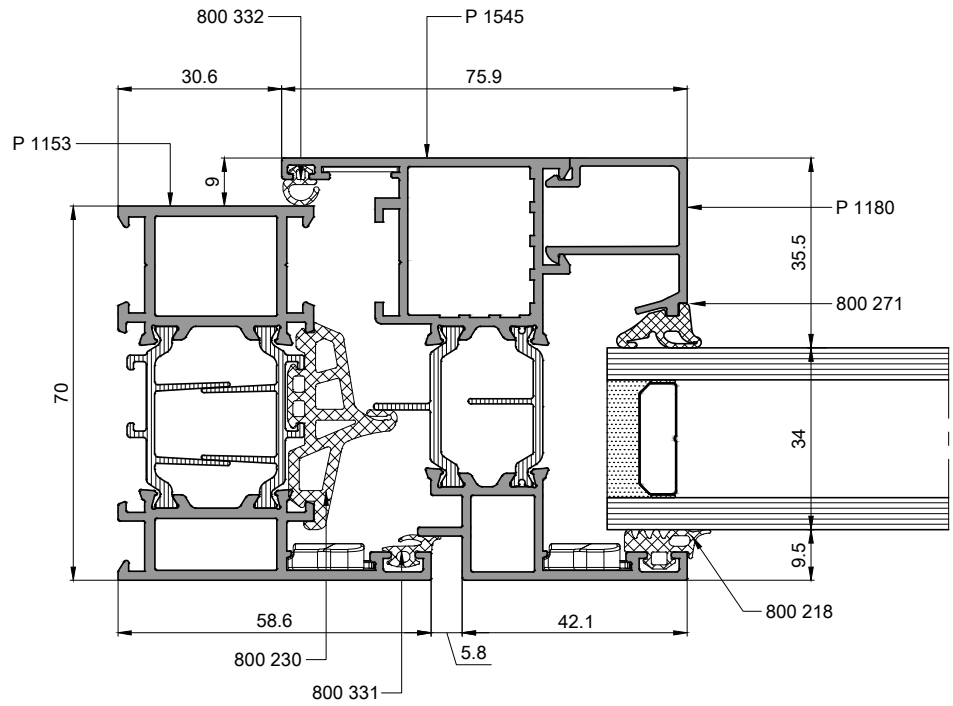
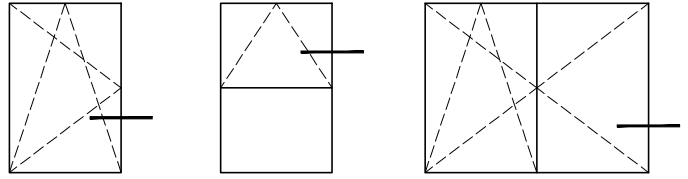
Köşe Takoz profili / 4,002kg/mt
Corner Cleat Profile

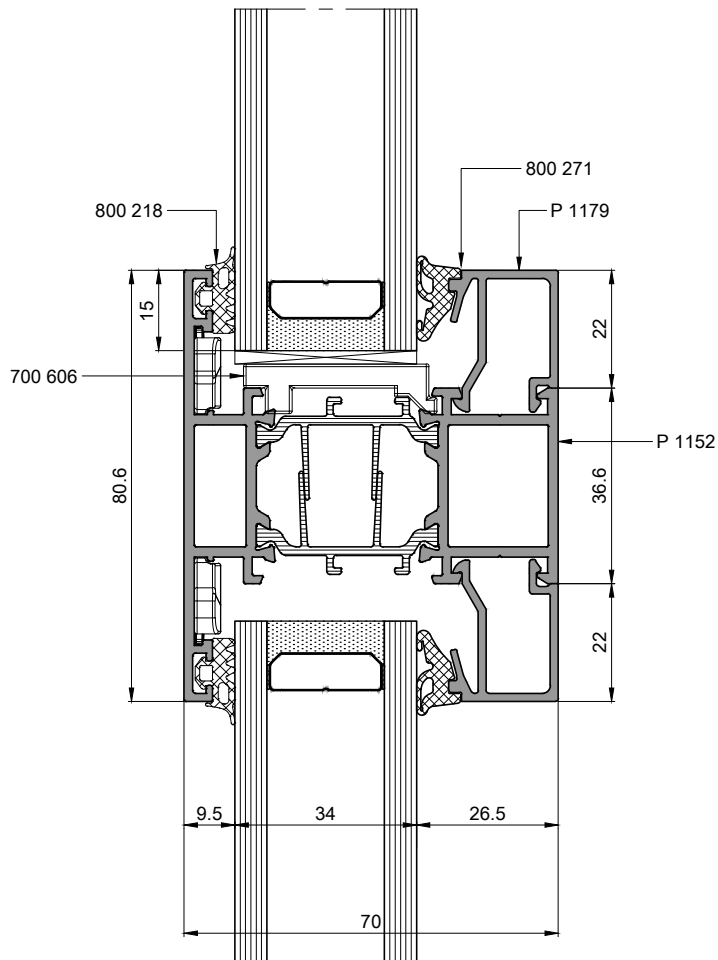
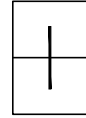
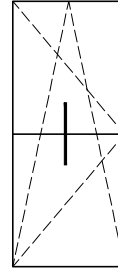


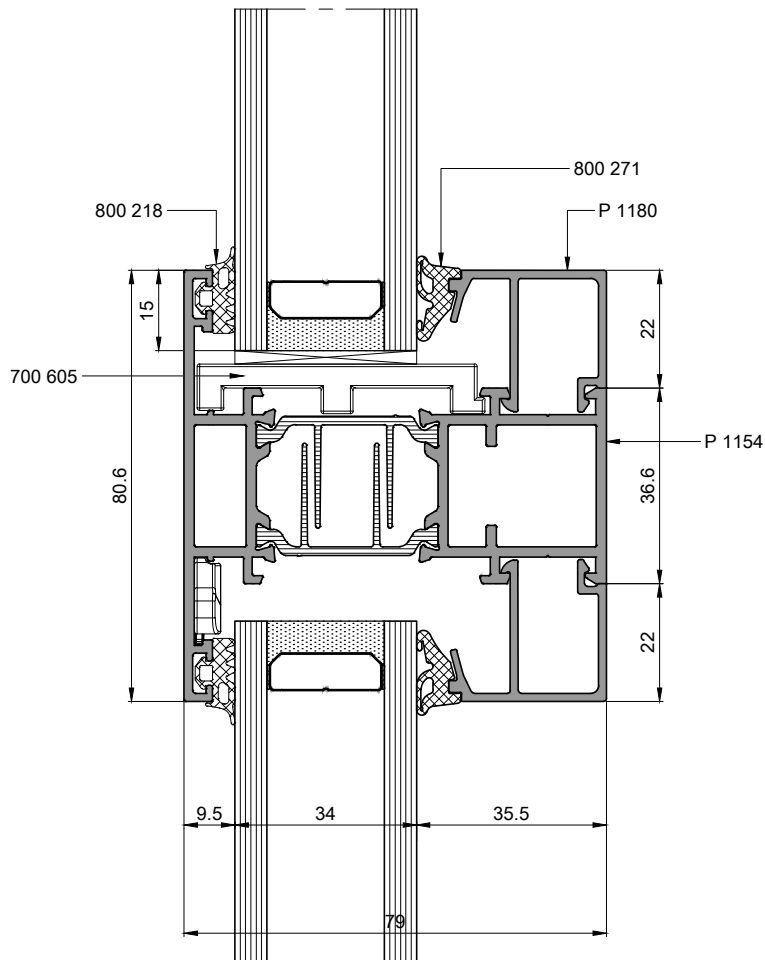
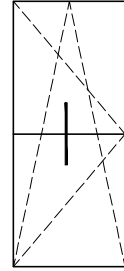
ICON 70
KAPI ve PENCERE SİSTEMİ
DOOR and WINDOW SYSTEM

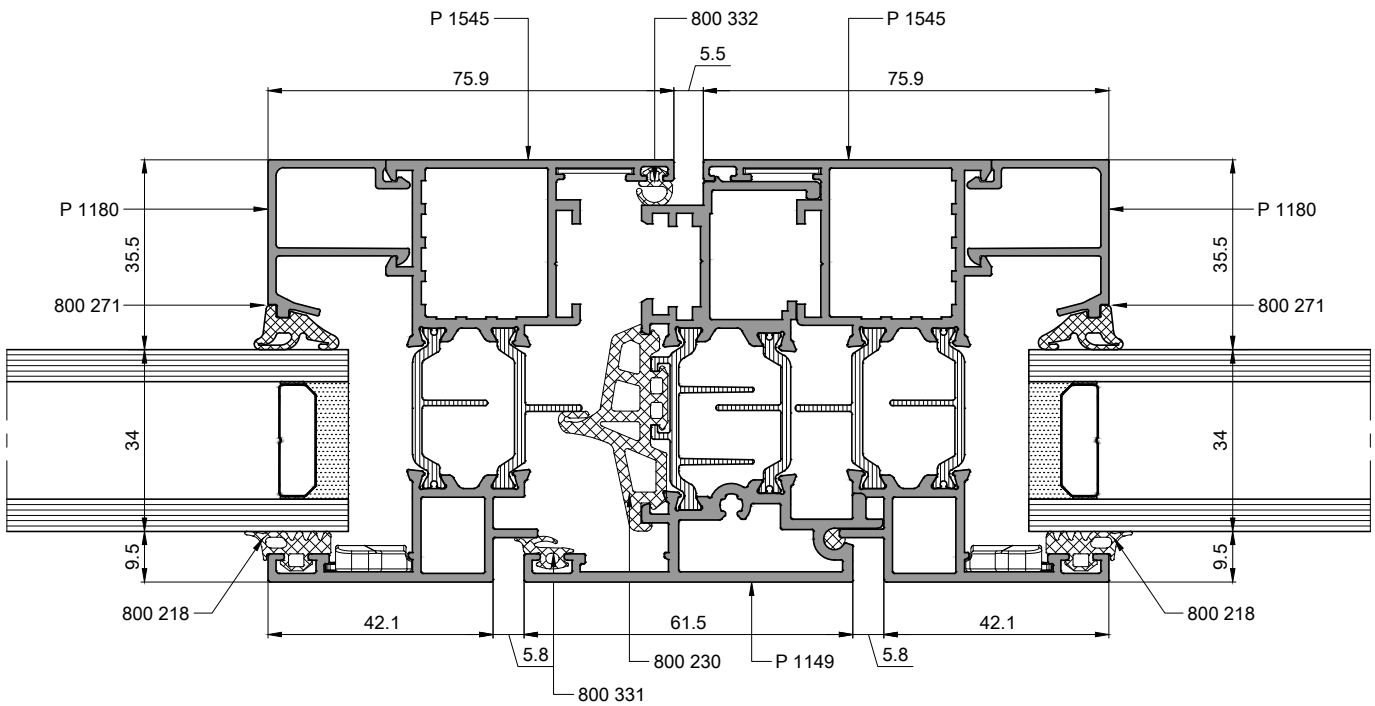
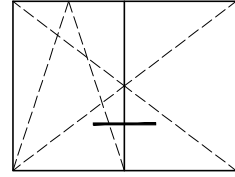
TİJ KANALLI KANAT
PRENSİP SİSTEM DETAYLARI
EURO CHANNEL PRINCIPAL SECTIONS

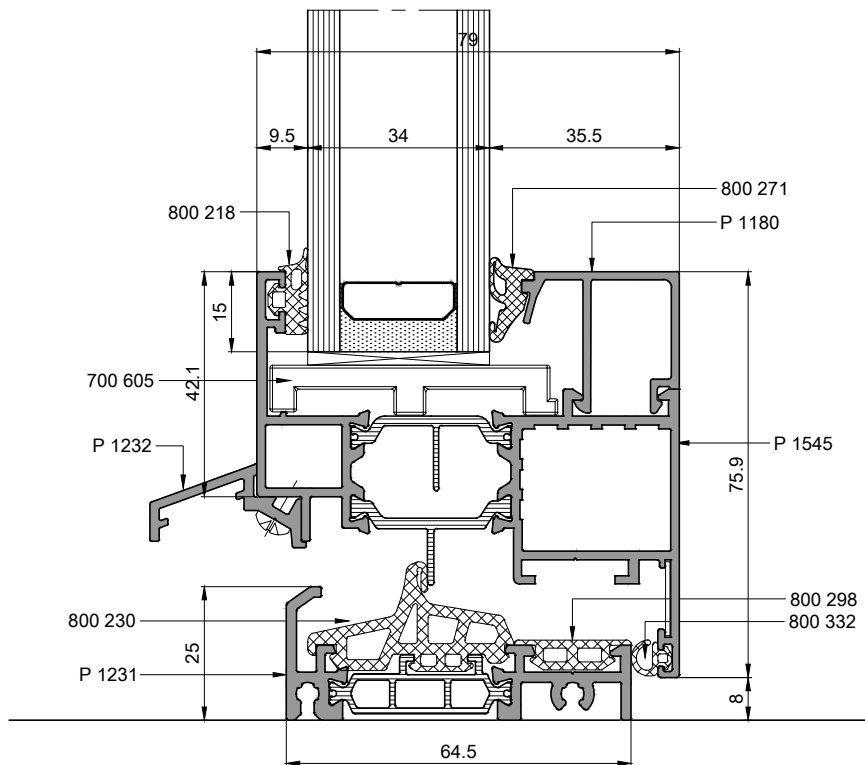
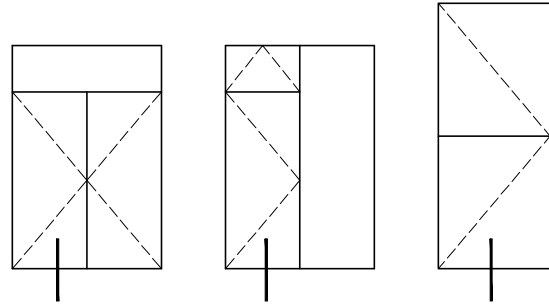


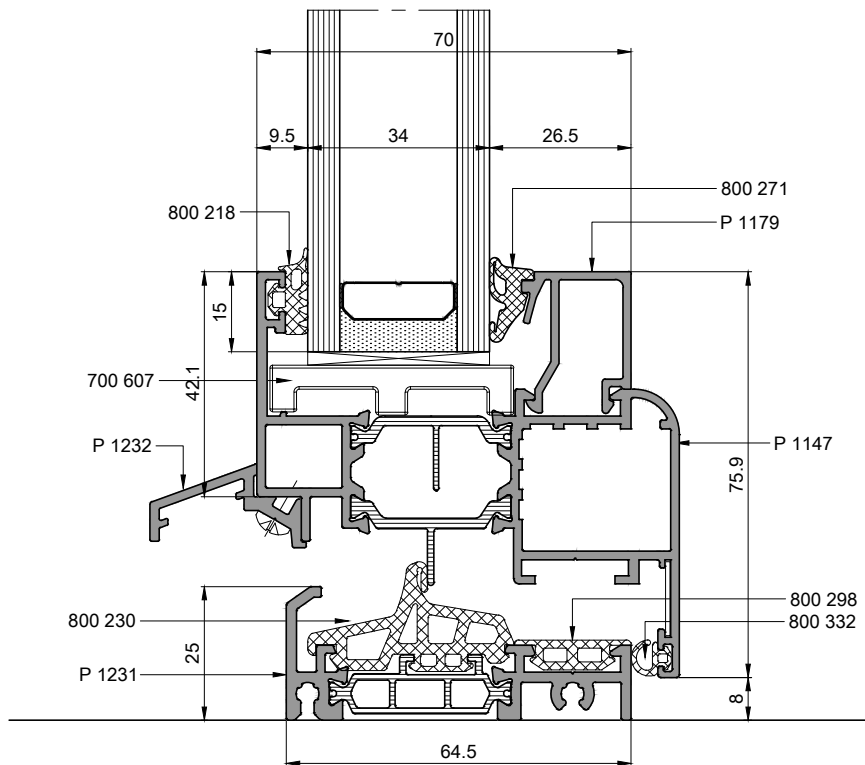
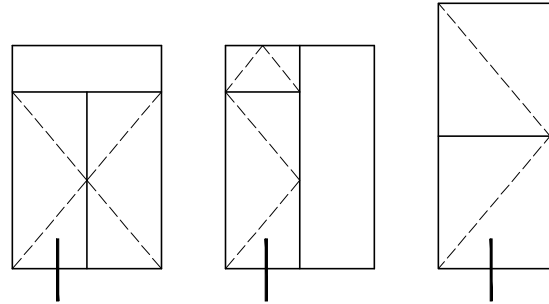


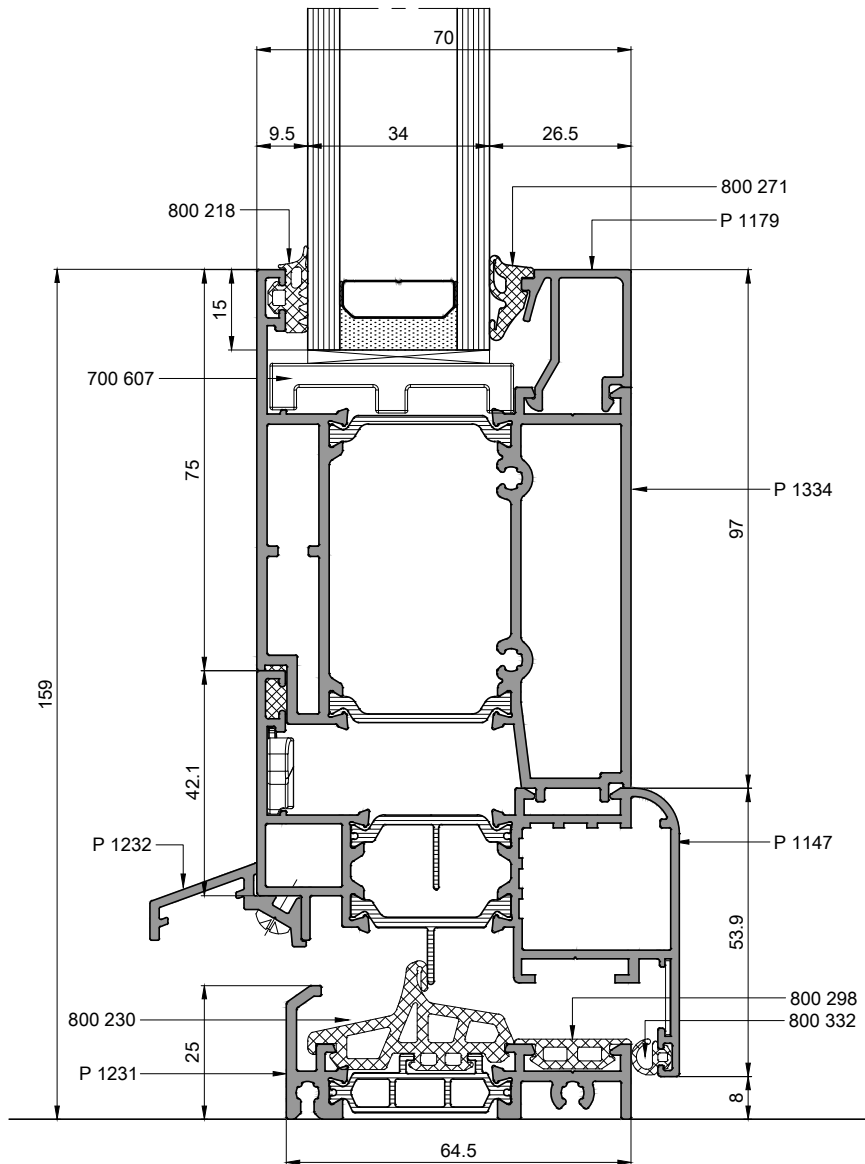
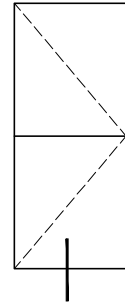
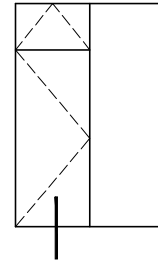
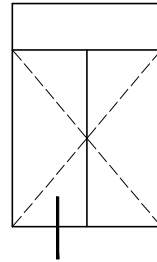


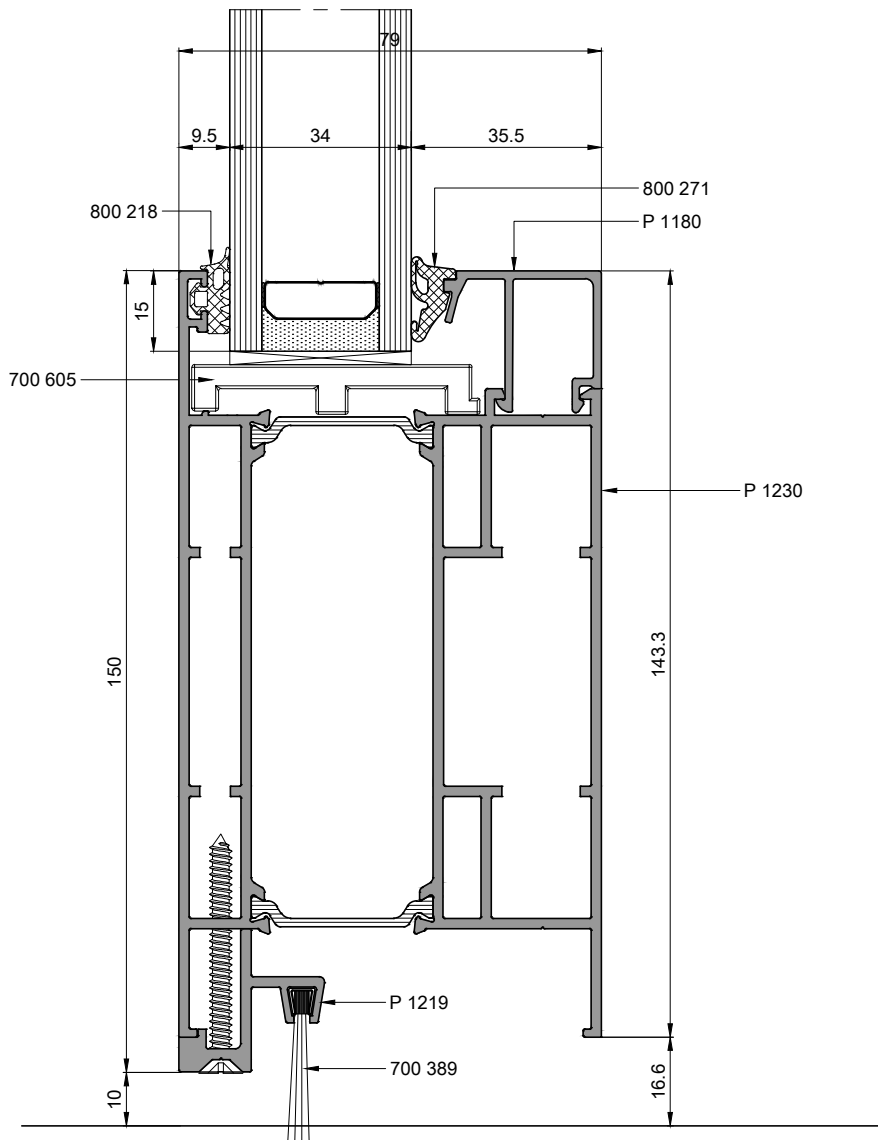
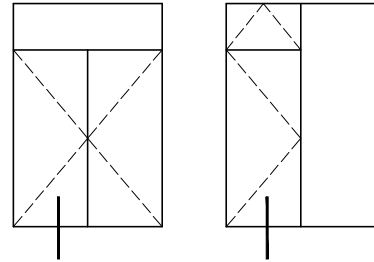


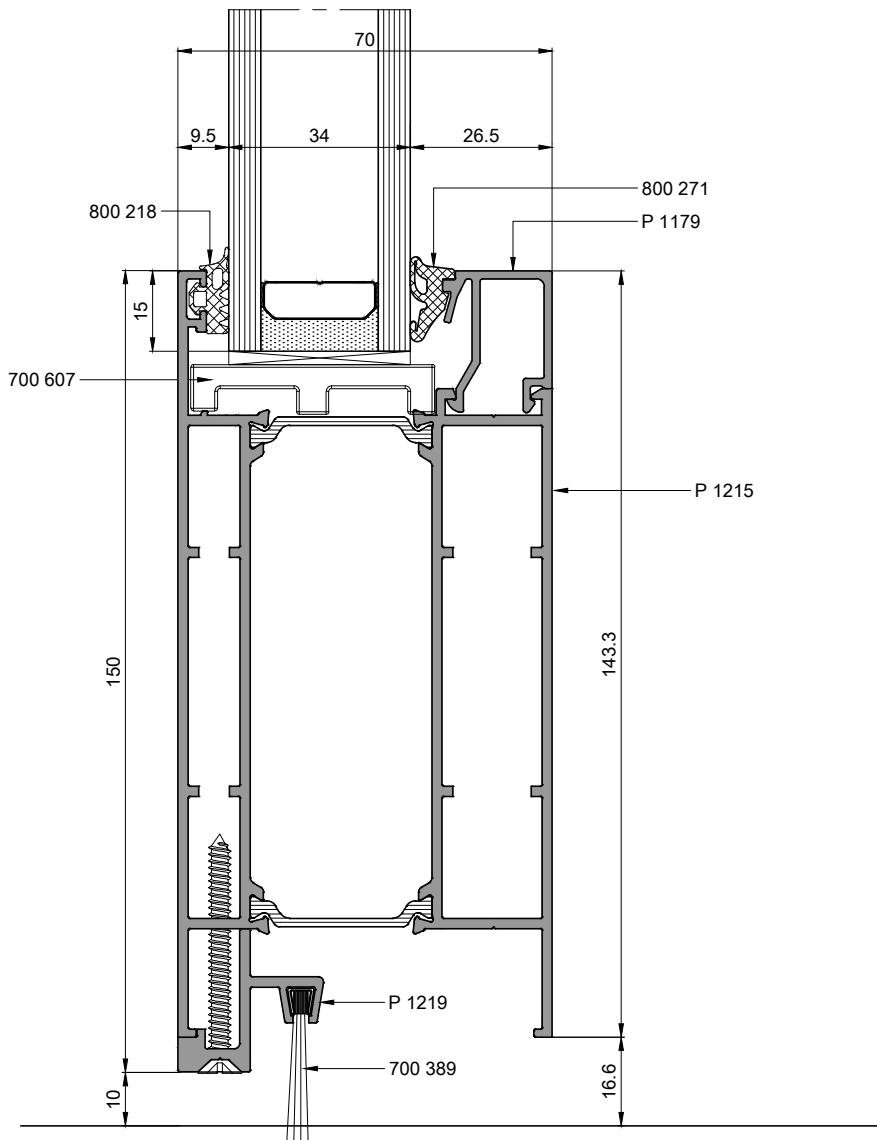
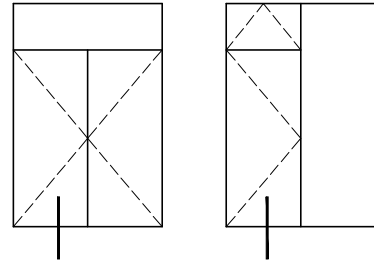


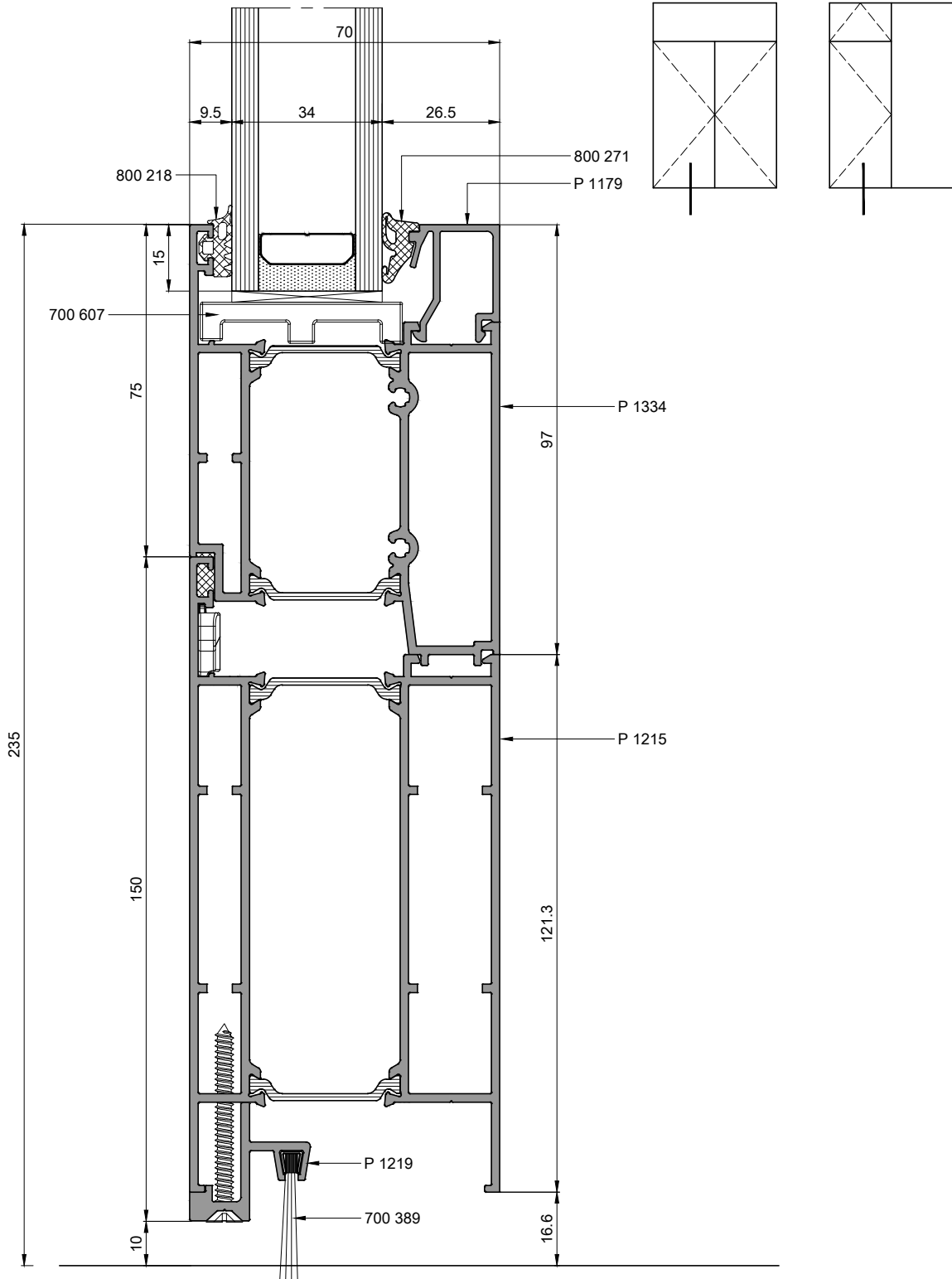






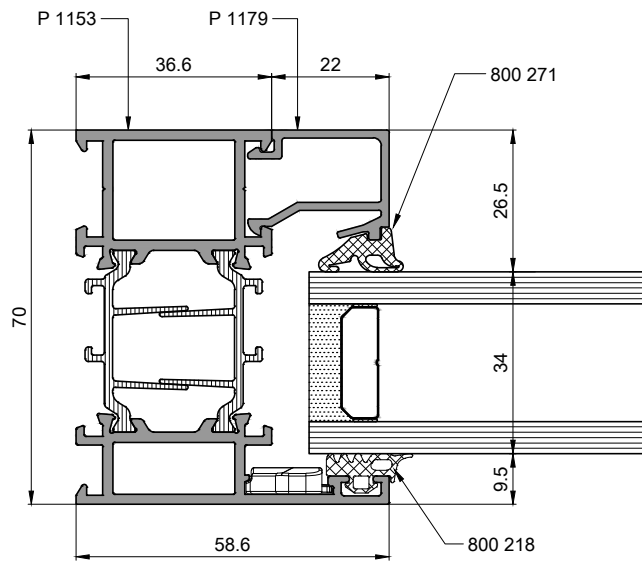
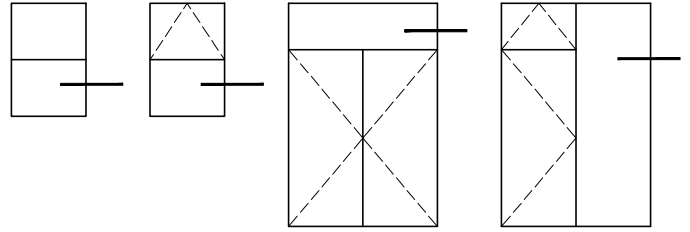


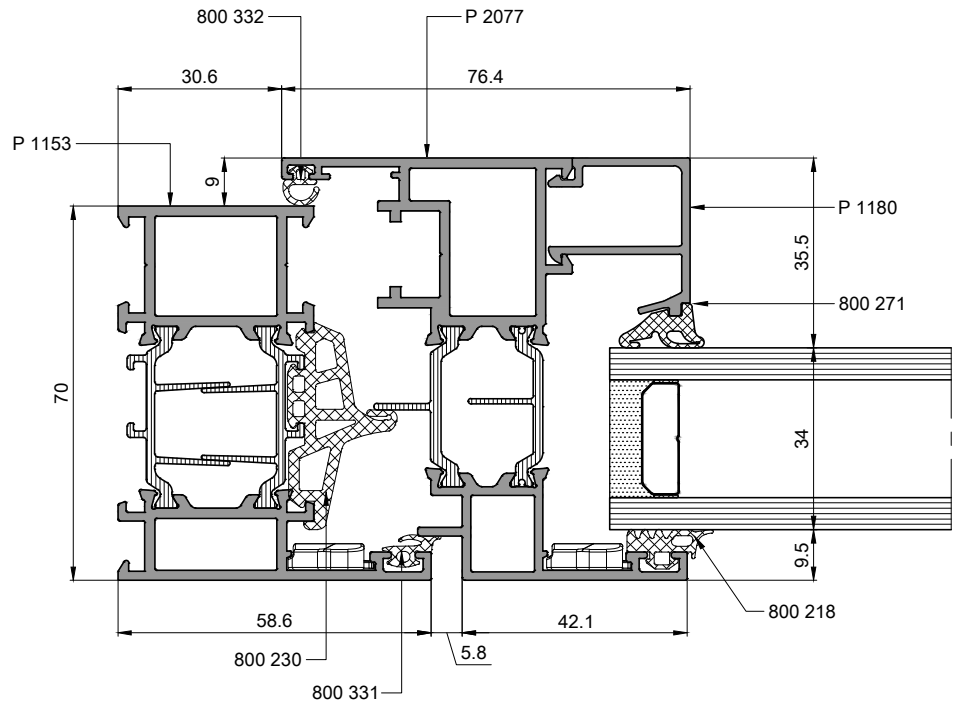
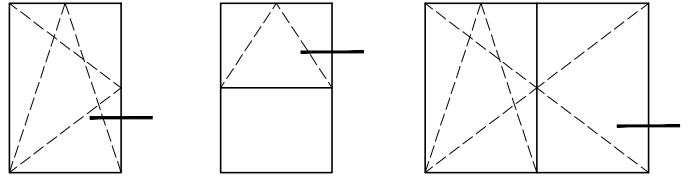


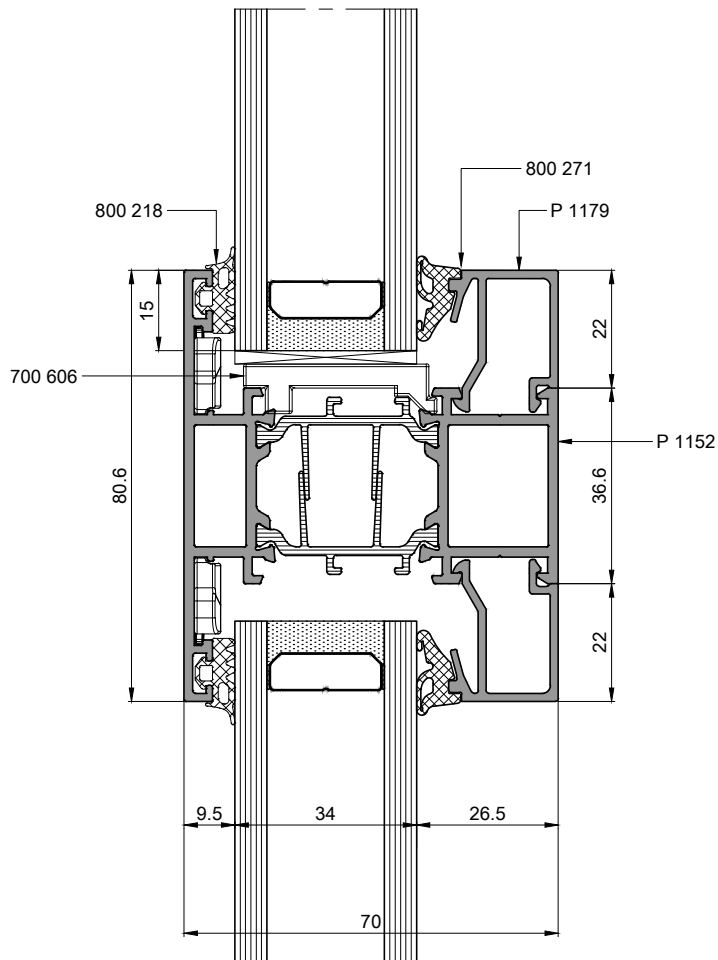
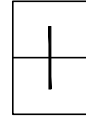
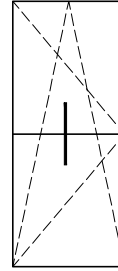


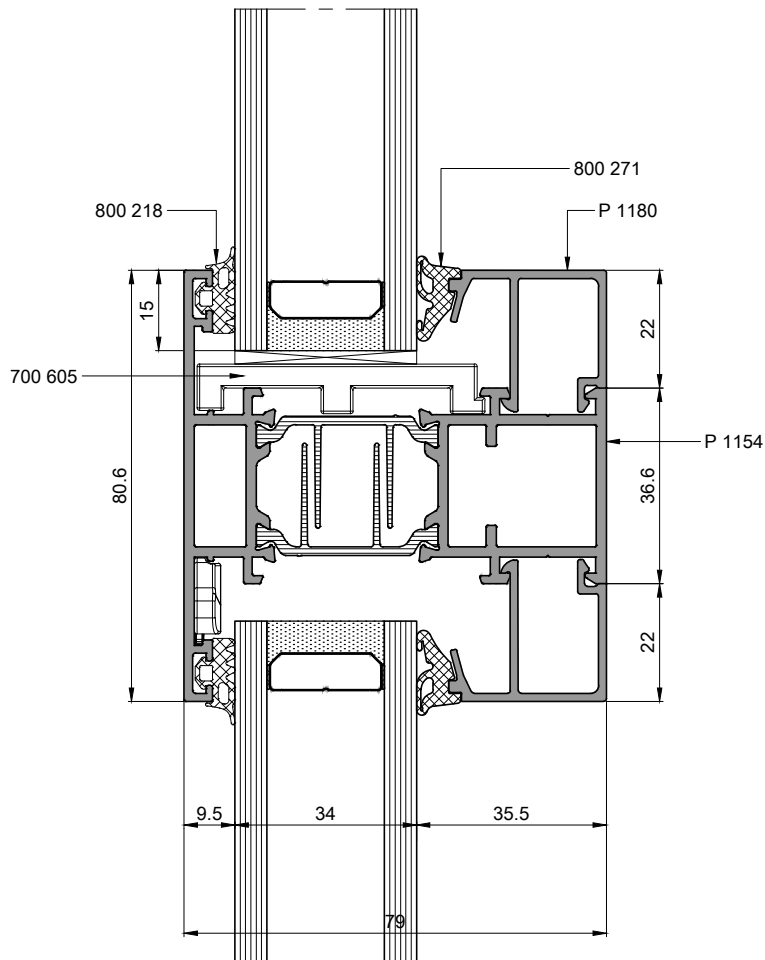
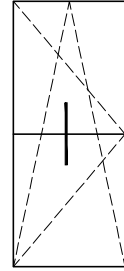
ICON 70
KAPI ve PENCERE SİSTEMİ
DOOR and WINDOW SYSTEM

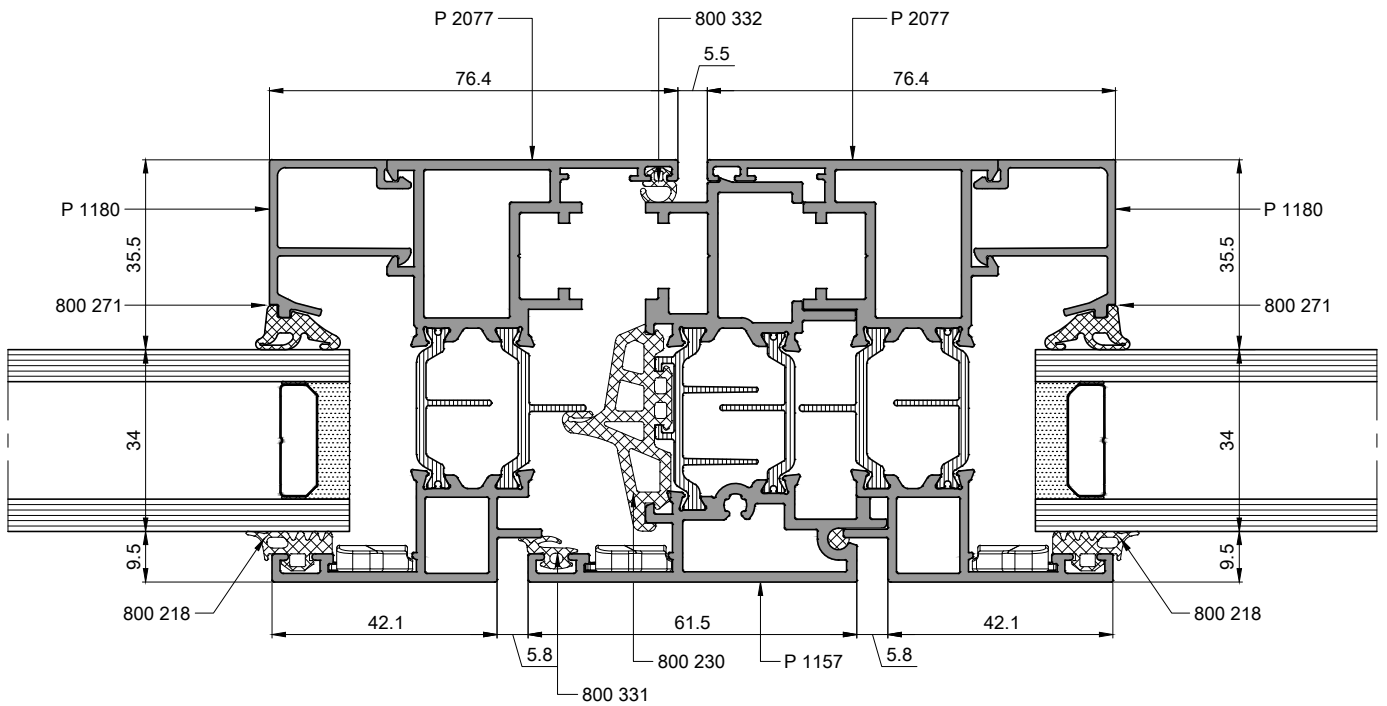
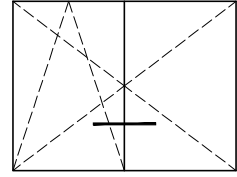
PVC KANALLI KANAT
PVC CHANNEL PRINCIPAL SECTIONS

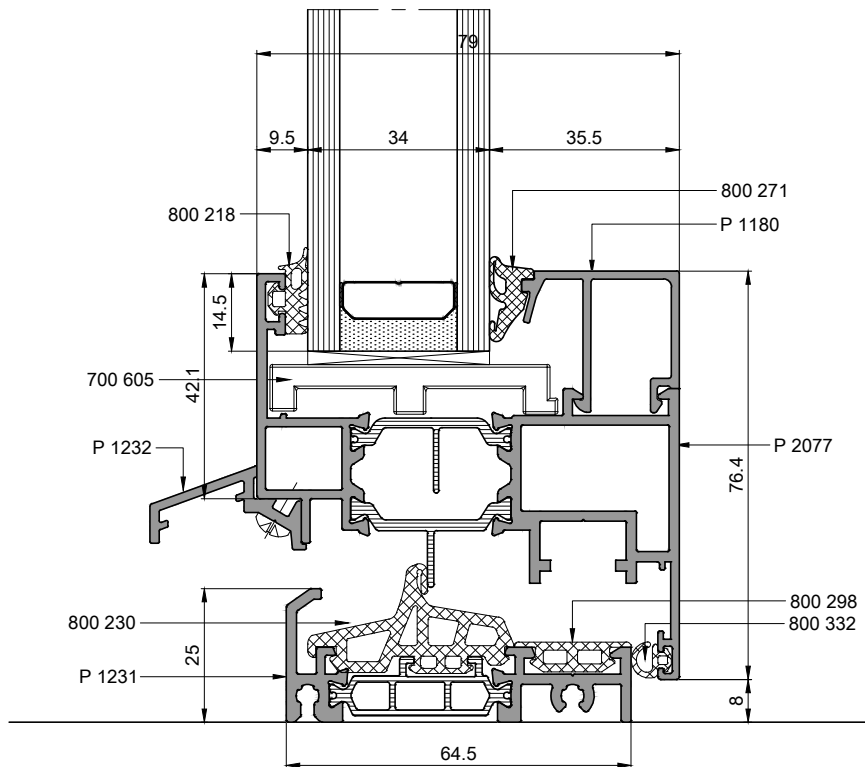
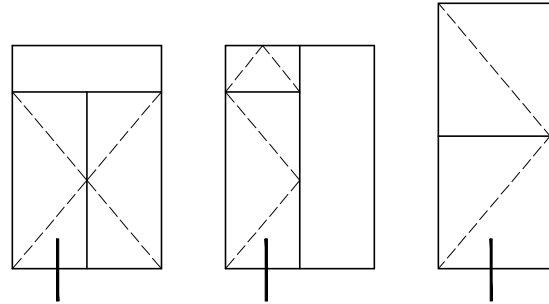


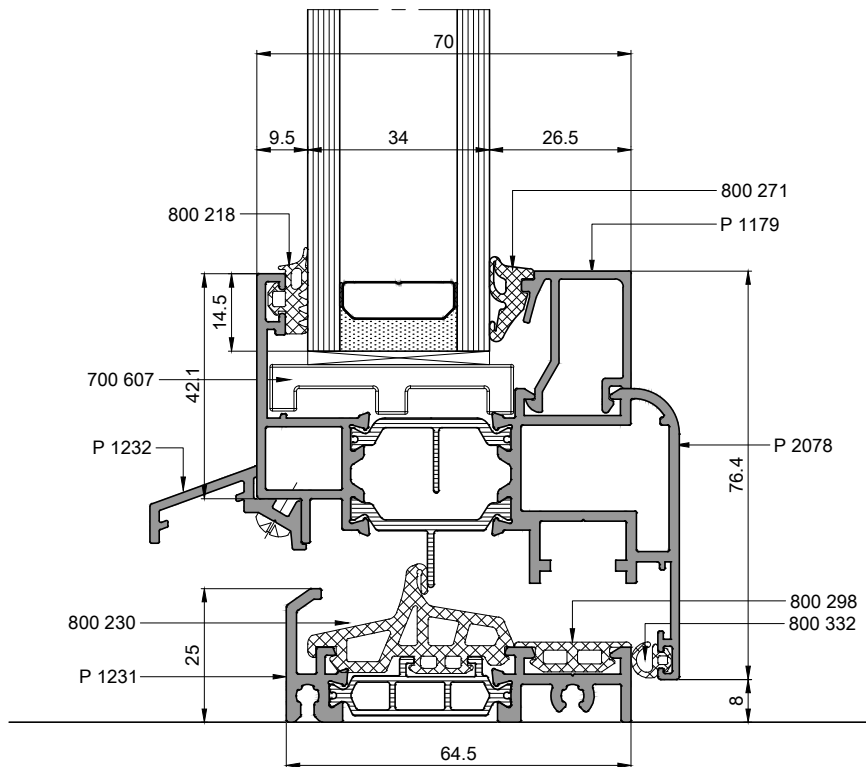
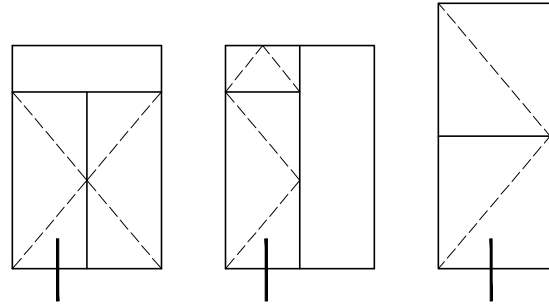


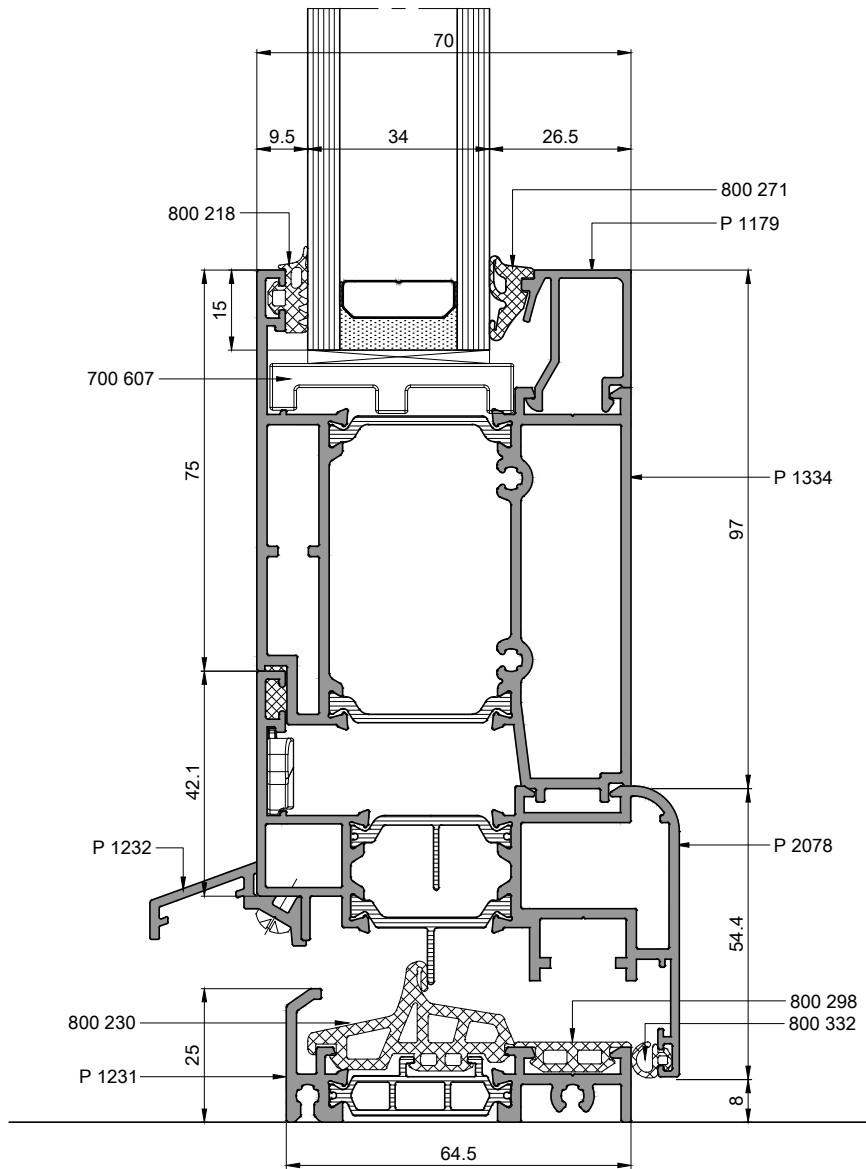
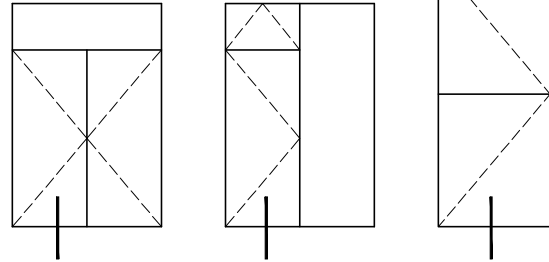


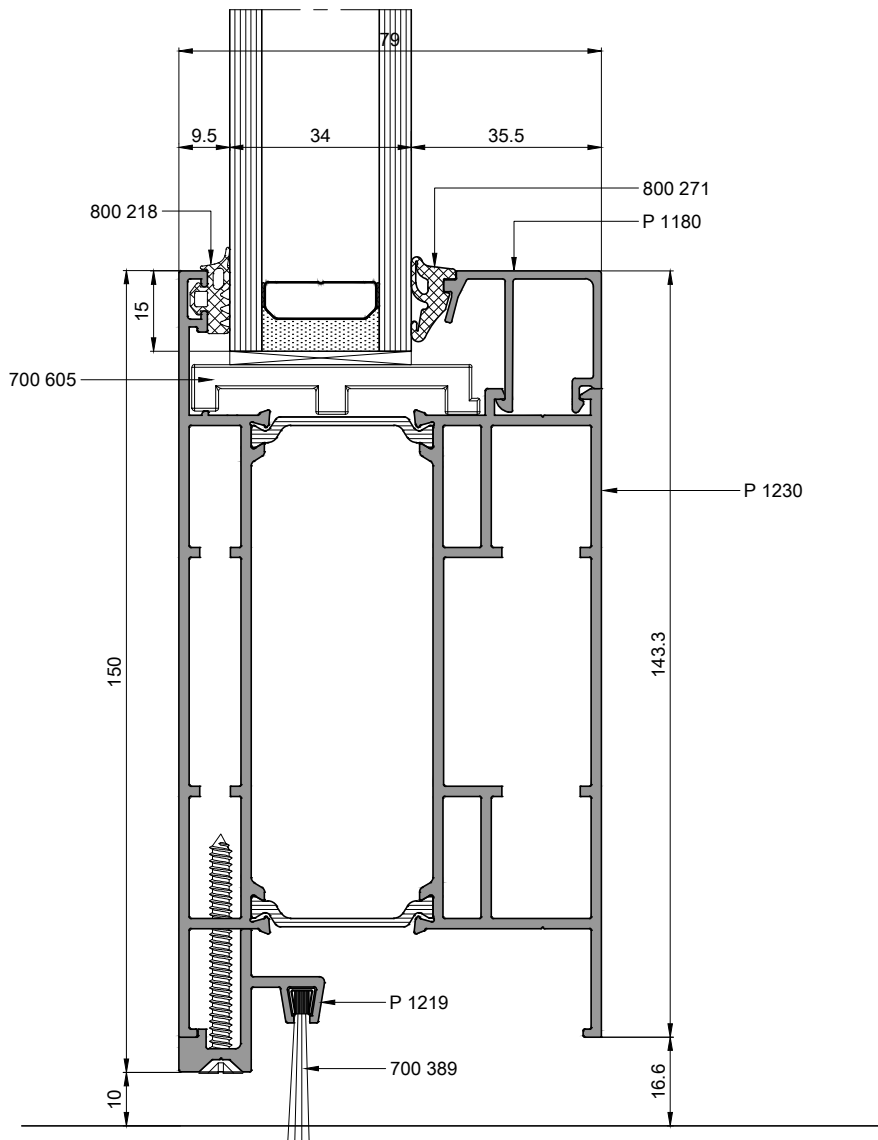
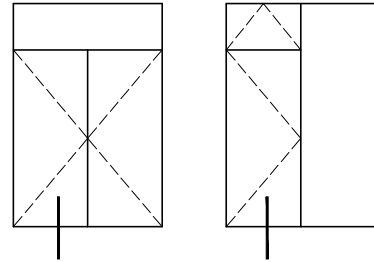


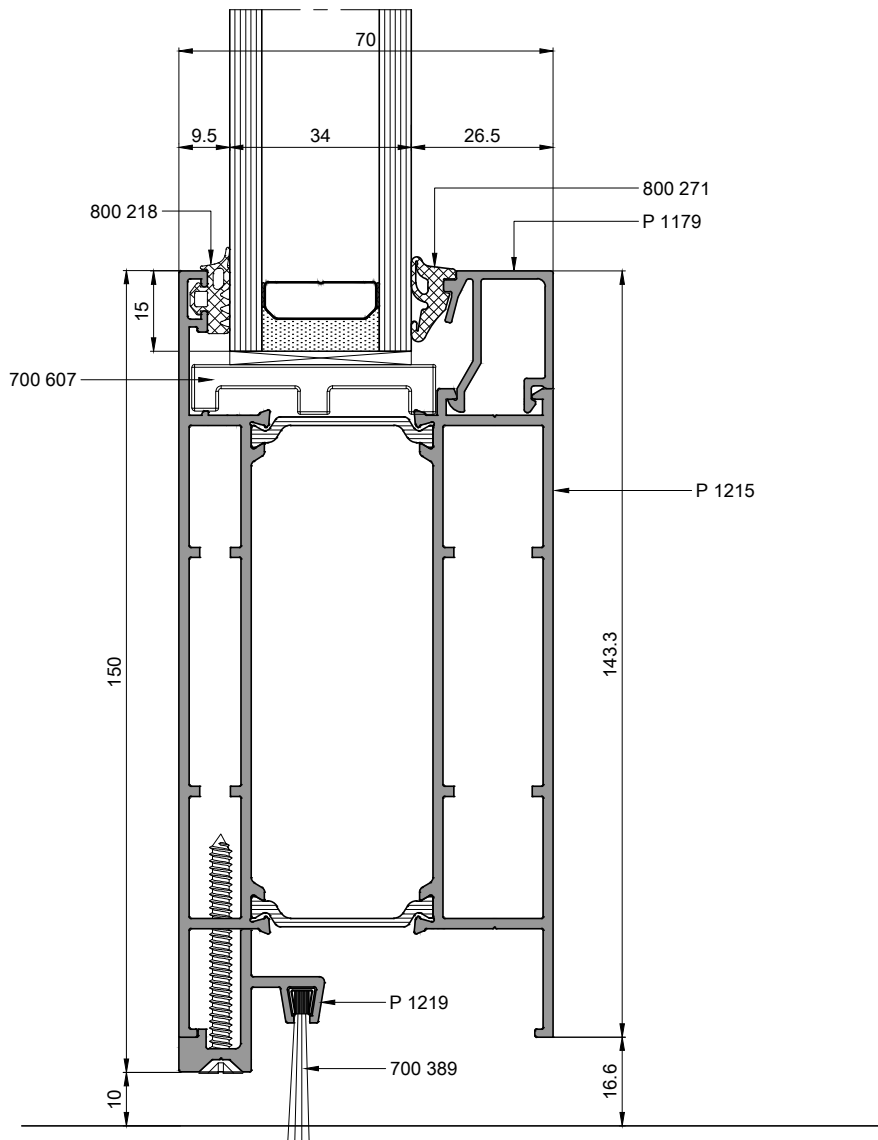
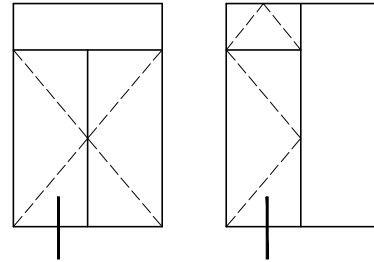


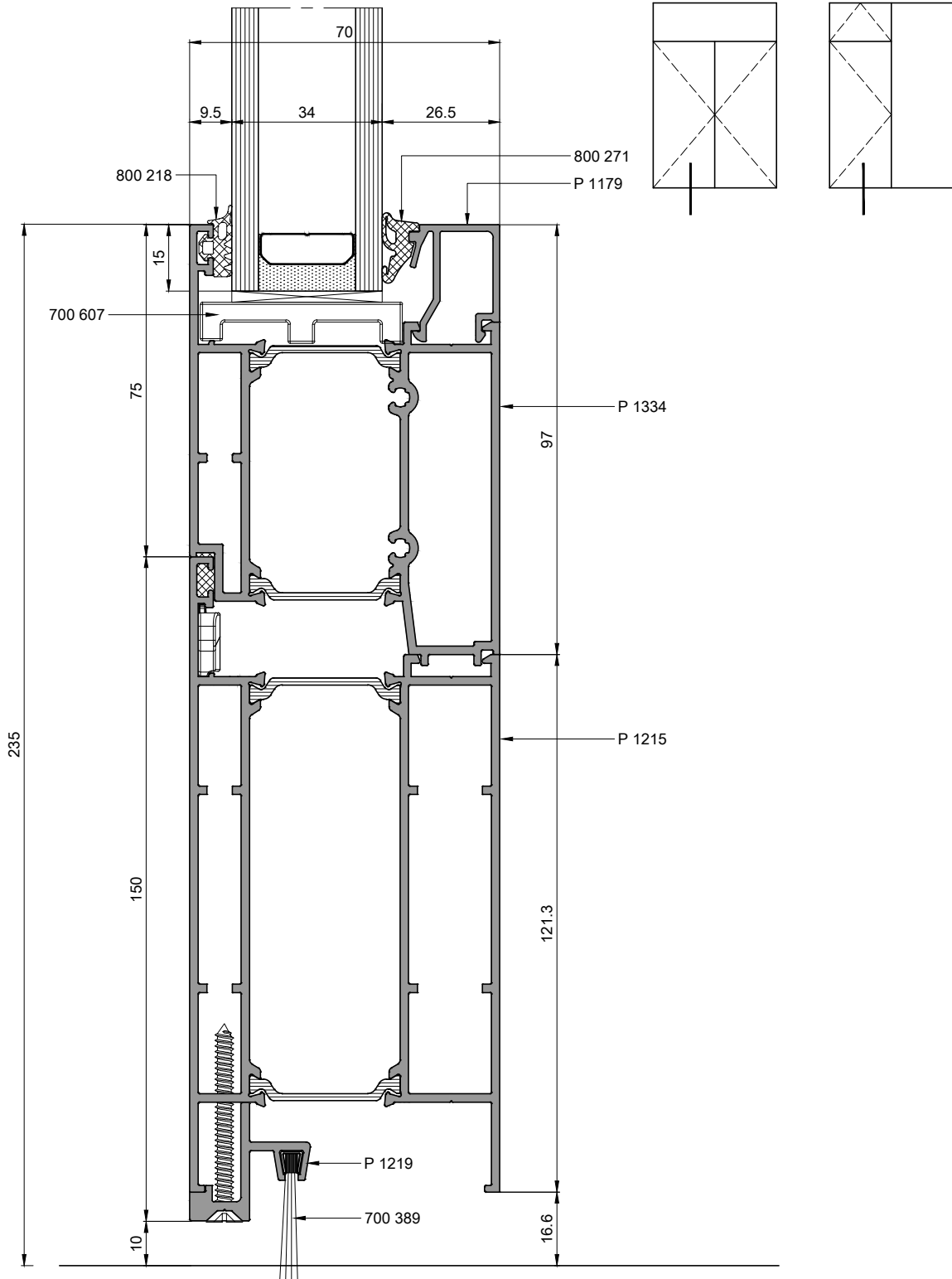






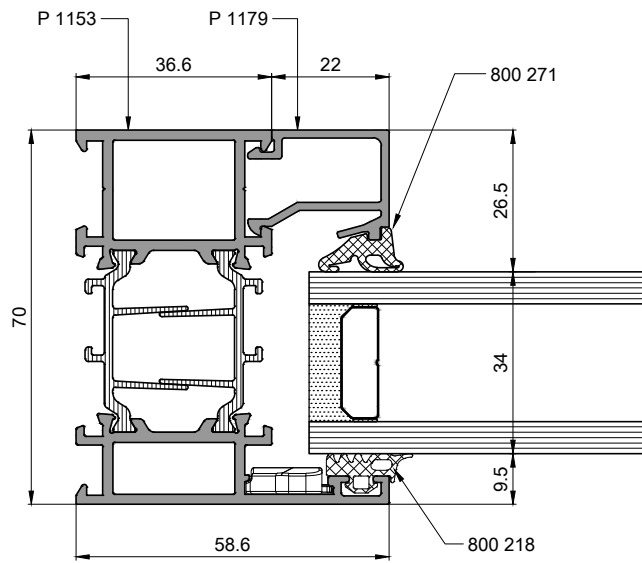
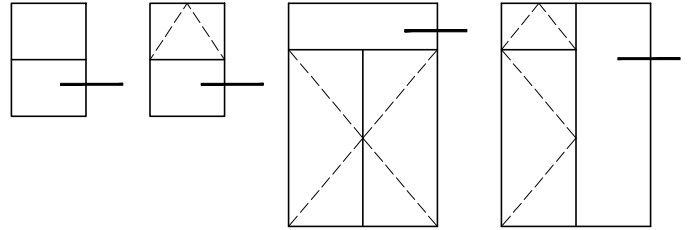


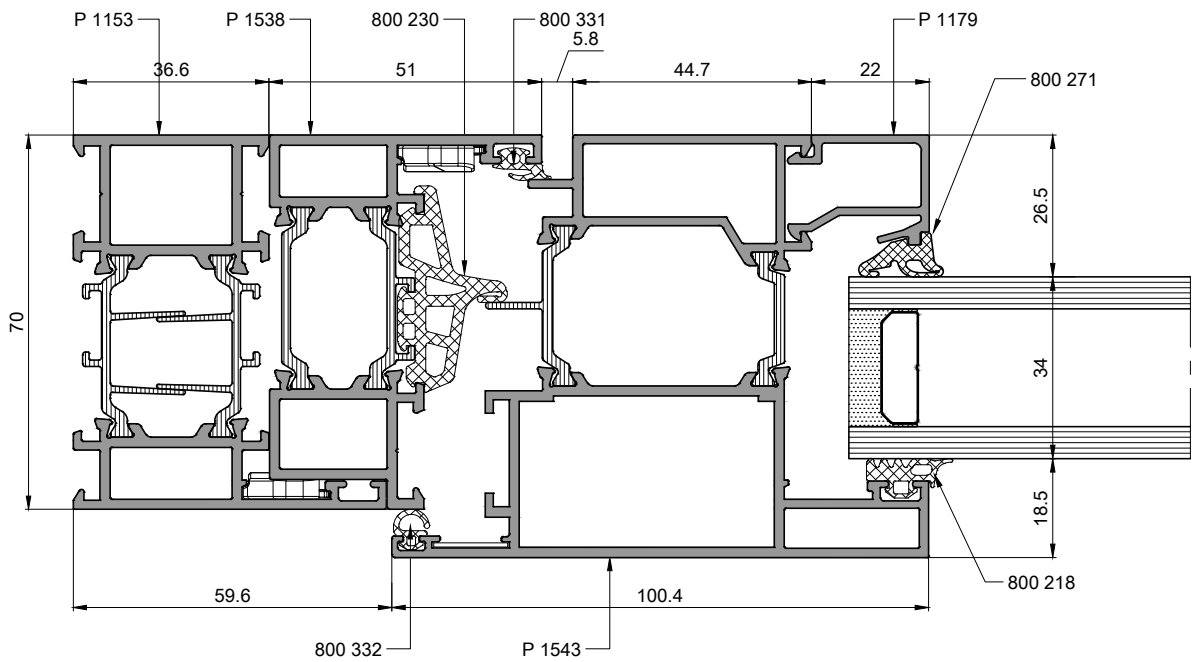
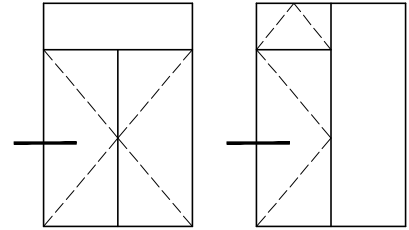


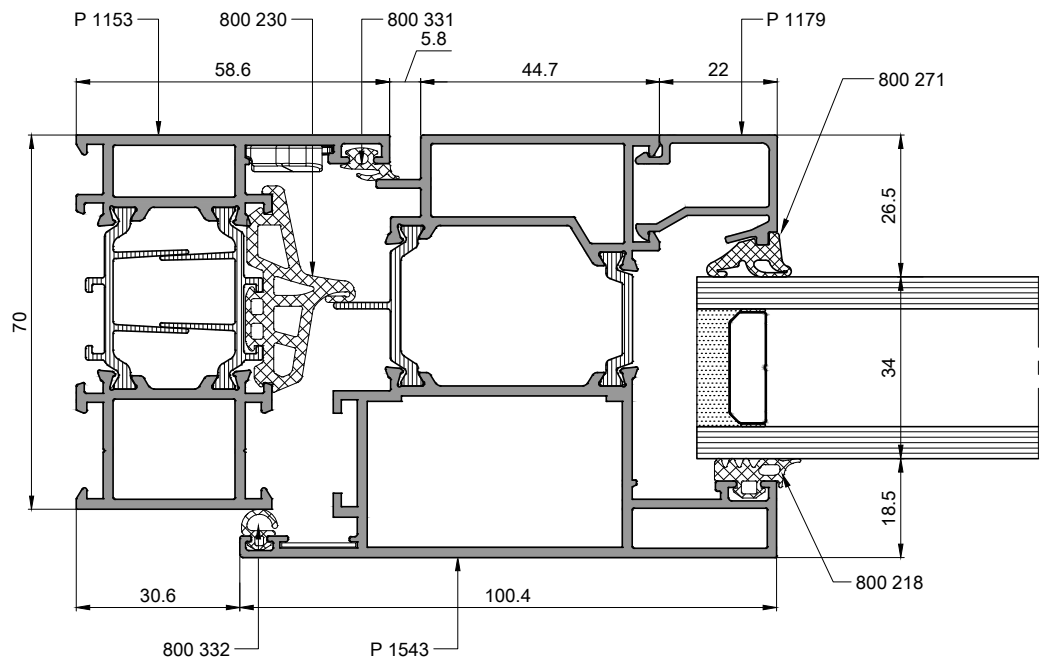
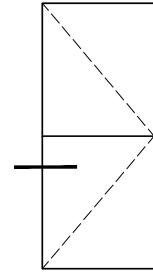


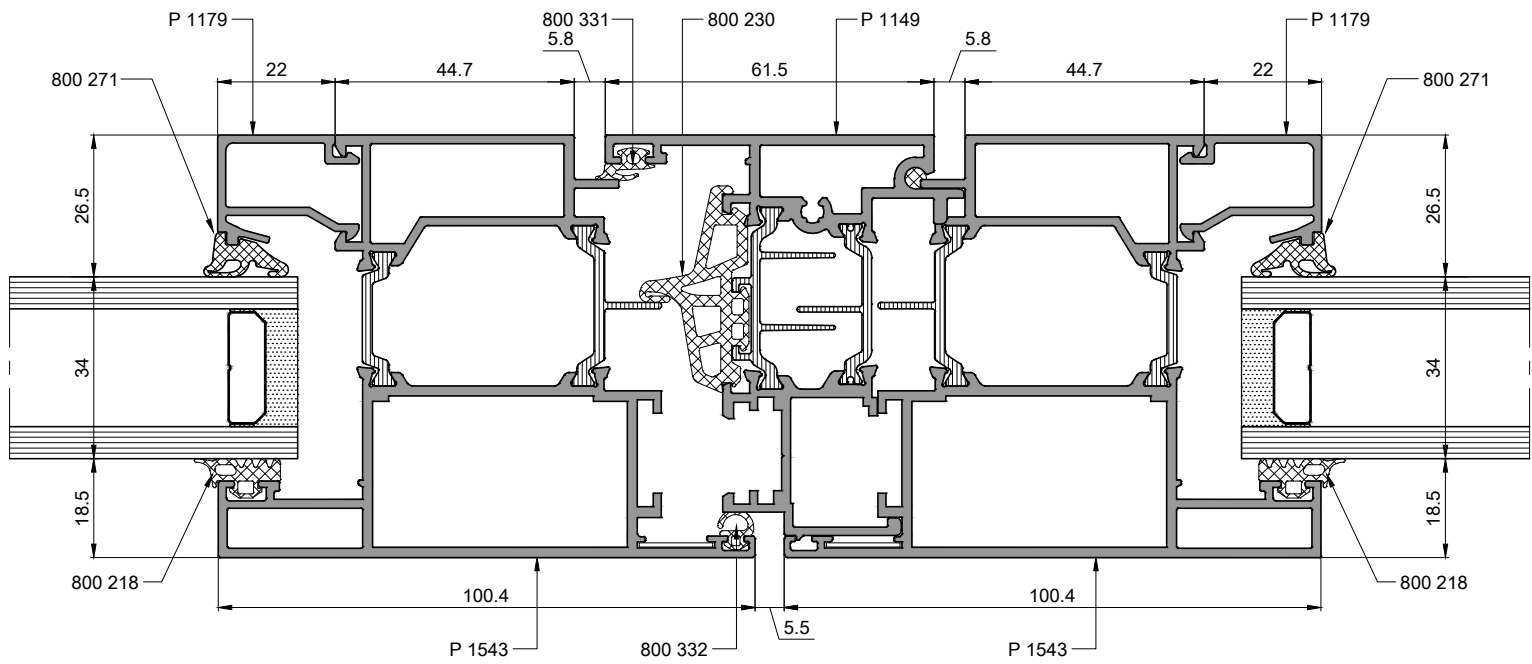
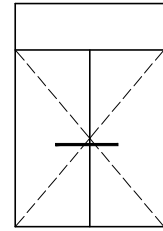
ICON 70
KAPI ve PENCERE SİSTEMİ
DOOR and WINDOW SYSTEM

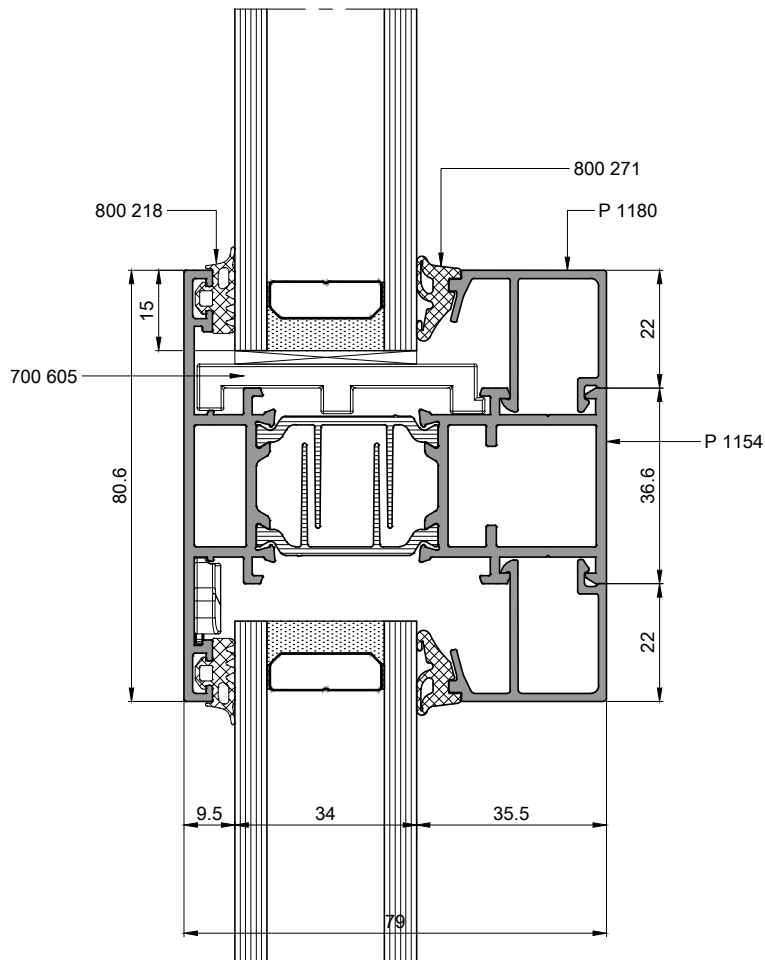
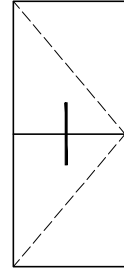
DIŞA AÇILIR KAPI
PRENSİP SİSTEM DETAYLARI
OUTWARD OPENING DOOR
PRINCIPAL SECTIONS

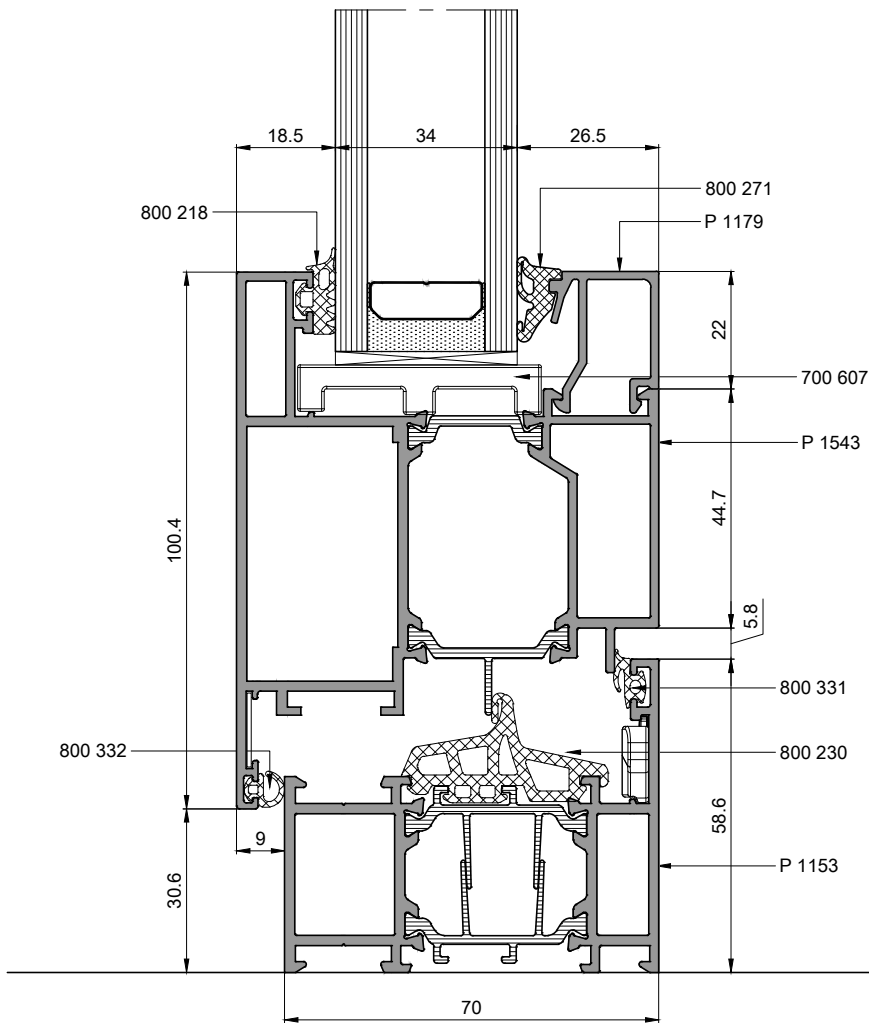
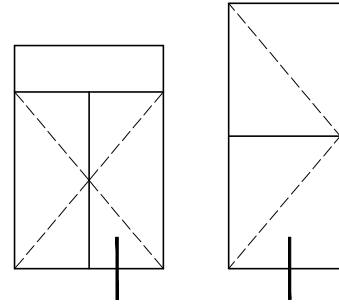


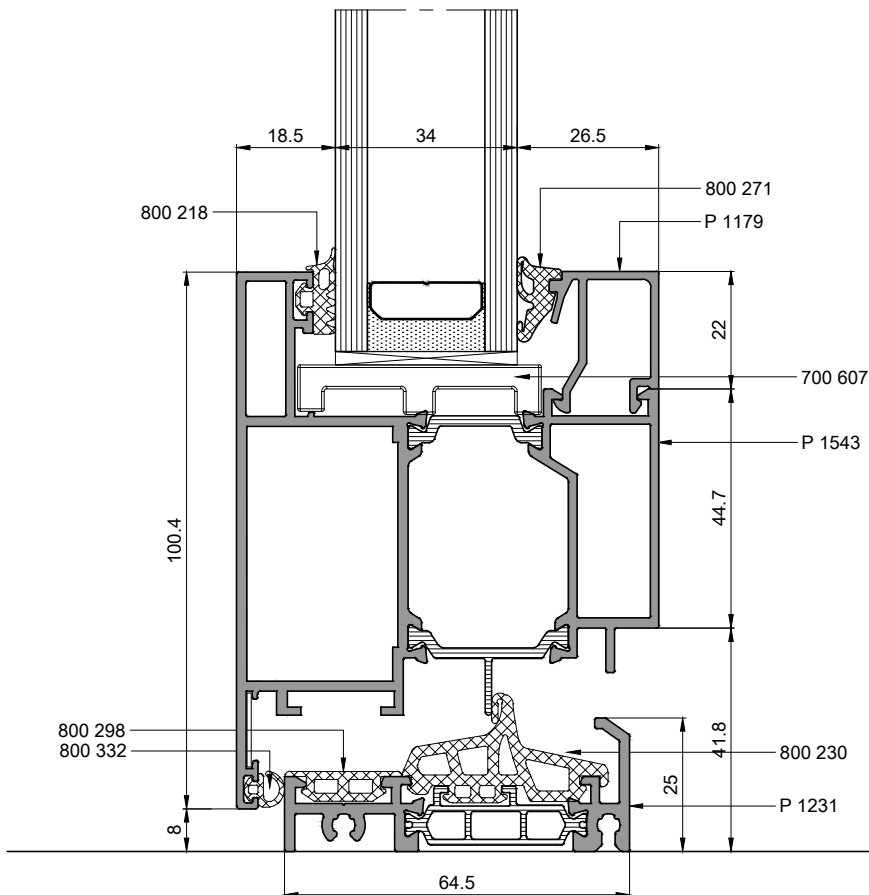
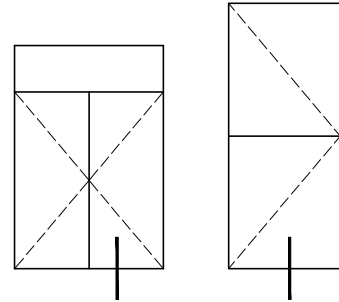


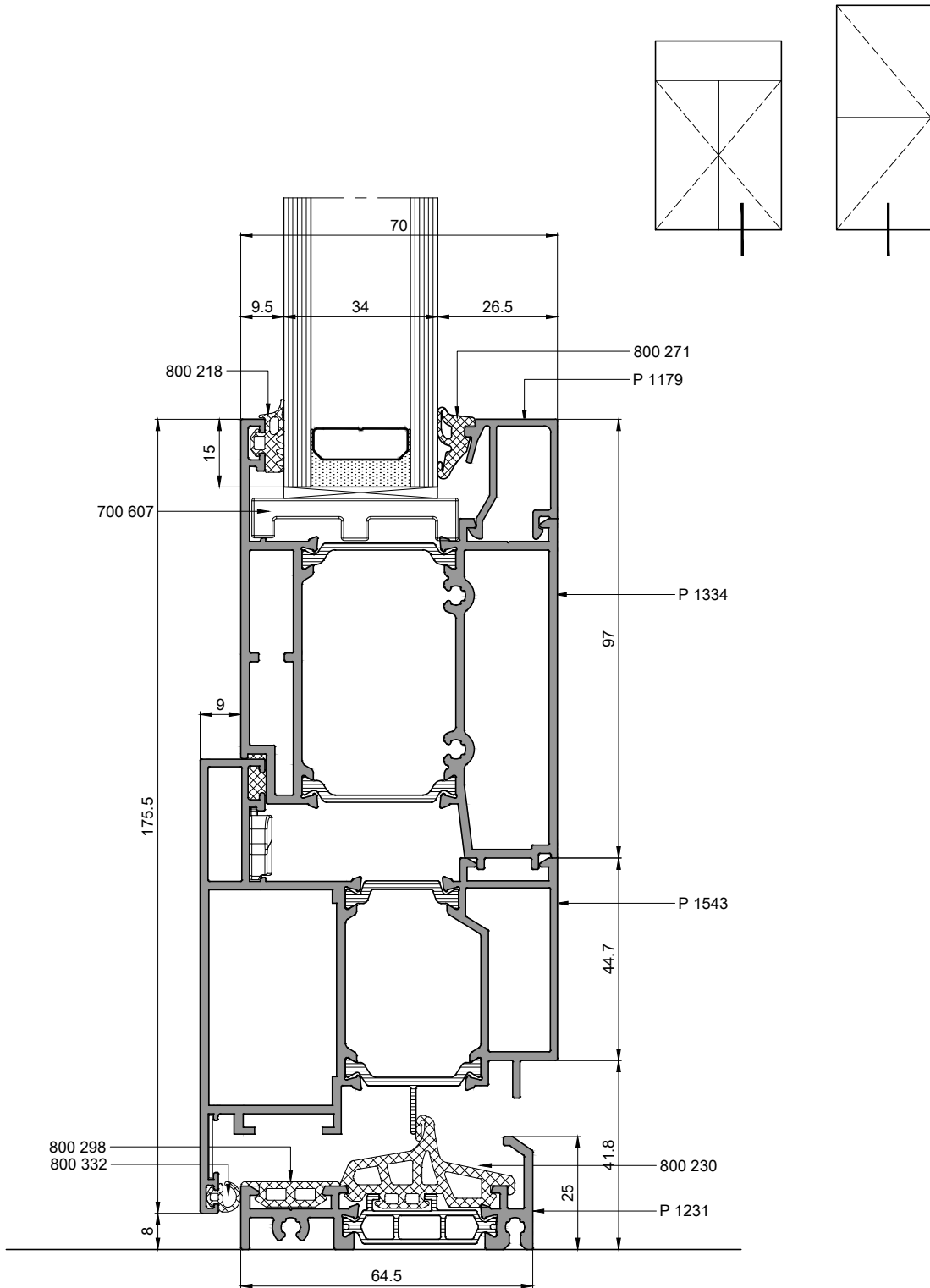


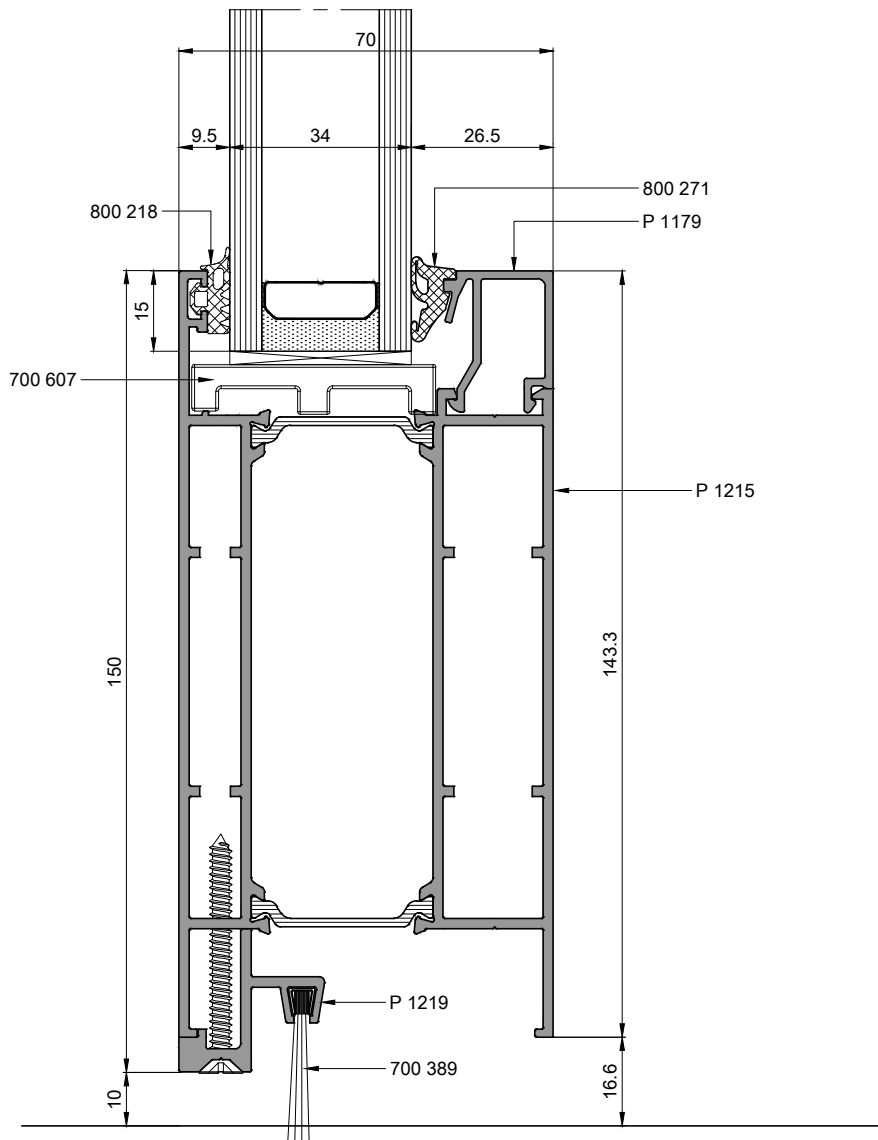
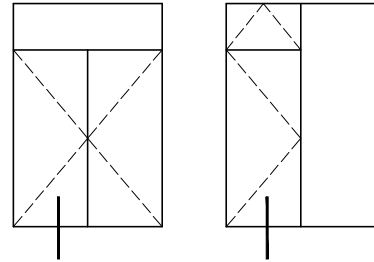


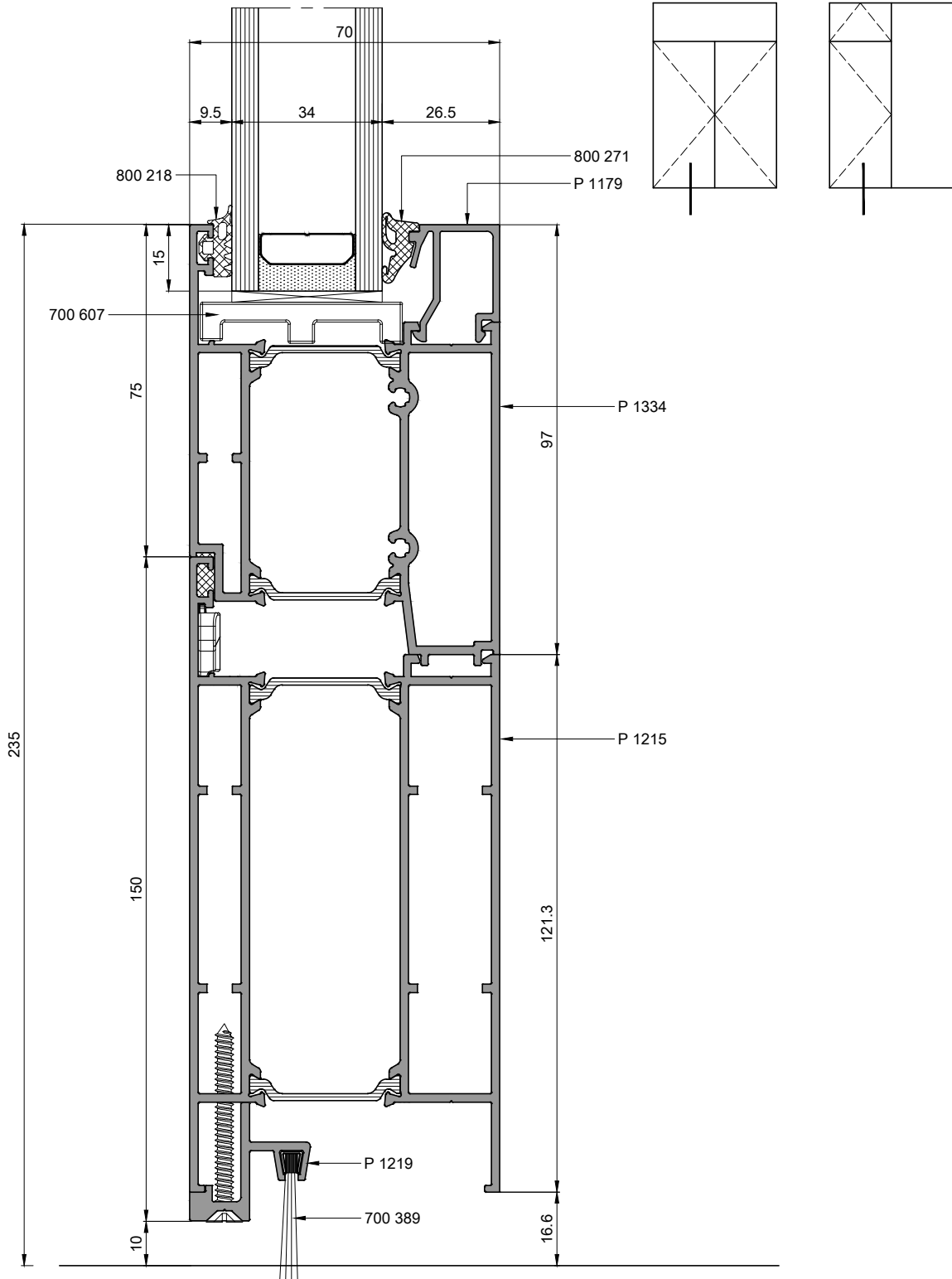












ICON 70
KAPI ve PENCERE SİSTEMİ
DOOR and WINDOW SYSTEM

GEÇİŞ ve BİRLEŞİM
PRENSİP SİSTEM DETAYLARI
SPECIAL JOINING PRINCIPAL SECTIONS

